



# FD9389-EHTV-v2

Fixed Dome Network Camera

5MP • H.265 • WDR Pro • Smart Stream III • SNV

- 30 fps @ 2560x1920, 60 fps @ 1920x1080
- WDR Pro (120 dB) for Improved Visibility in High Contrast Scenes
- Built-in IR illuminators, Effective up to 30 meters
- Smart IR Technology to Avoid Overexposure
- Trend Micro IoT Security
- Vandal-proof IK10-rated, Weather-proof IP66-rated Housing
- 2.8 ~ 10mm Motorized Lens





# Technical Specifications

## System Information

Model	FD9389-EHTV-v2
CPU	Multimedia SoC (System-on-Chip)
Flash	8 GB
RAM	1 GB

## Camera Features

Image Sensor	1/2.7" Progressive CMOS
Max. Resolution	2560x1920 (5MP)
Lens Type	Motorized, Vari-focal, Remote Focus
Focal Length	f = 2.8 ~ 10 mm
Aperture	F1.8 ~ F2.74
Iris Type	Fixed iris
Field of View	95° ~ 41° (Horizontal) 69° ~ 31° (Vertical) 127° ~ 51° (Diagonal)
Shutter Time	1/5 sec. to 1/32,000 sec.
WDR Technology	WDR Pro
Day/Night	Yes
Removable IR-cut Filter	Yes
IR Illuminators	Built-in IR illuminators, effective up to 30 meters with Smart IR, IR LED*4
Minimum Illumination	0.06 lux @ F1.8(Color) 0.01 lux @ F1.8 (B/W) 0 lux with IR illumination on
Pan Range	>350°
Tilt Range	80°
Rotation Range	±175°
Pan/Tilt/Zoom Functionalities	ePTZ: 48x digital zoom (4x on IE plug-in, 12x built-in)
Storage	Seamless Recording to MicroSD/SDHC/SDXC card (1TB capacity supported) and recording to network-attached storage (NAS)
Built-in Installation Aids	Remote focus, remote zoom

## Video

Video Compression	H.265, H.264, MJPEG
Maximum Frame Rate	30 fps @ 2560x1920 60 fps @ 1920x1080
Maximum Streams	3 video streams (Up to 8 configurable profiles)
S/N Ratio	55 dB
Dynamic Range	120 dB
Video Streaming	Adjustable resolution, quality and constant bit rate control, Smart Stream III
Image Settings	General settings: video title and time stamp overlay, video orientation (flip, mirror, rotation), day/night settings; Illuminators: illuminators, anti-overexposure; Image settings: white balance, image adjustment (brightness, contrast, saturation, sharpness, gamma curve), defog, 3DNR, EIS, scene mode (auto, deblur); Exposure: BLC, HLC, exposure control(exposure level, iris adjustment, exposure time, gain control, iris mode), AE speed adjustment, WDR; Focus: zoom, focus; Privacy mask; Scheduled profile settings

## Audio

Audio Capability	One-way Audio
Audio Compression	G.711, G.726
Audio Interface	Built-in microphone
Effective Range	5 meters

## Network

Users	Live viewing for up to 10 clients
-------	-----------------------------------



Security	Access list, digest authentication, HTTPS , IEEE 802.1x, Password protection, secure boot, signed firmware, Trend Micro IoT Security (brute force attack event, cyberattack event, quarantine event), user access log, user account management
Protocols	802.1X, ARP, Bonjour, CIFS/SMB, DDNS, DHCP, DNS, FTP, HTTP, HTTPS, ICMP, IGMPv3, IPv4, IPv6, NTP, PPPoE, QoS (CoS/DSCP), RTSP/RTP/RTCP, SMTP, SNMP, SSL, TCP/IP, TLS 1.2, UDP, UPnP
Interface	10 Base-T/100 Base-TX Ethernet (RJ-45) *It is highly recommended to use standard CAT5e & CAT6 cables which are compliant with the 3P/ETL standard.
ONVIF	Profile G, S, T supported, specification available at <a href="http://www.onvif.org">www.onvif.org</a>

### Solution Integration

Smart Motion Detection	Five-window video motion detection, human detection, time filter (Without bounding box)
Smart VCA	Intrusion detection, loitering detection, line crossing detection, unattended object detection, missing object detection, face detection, crowd detection, running detection
VADP Package	Deep Learning VCA (Smart Motion Detection, Smart VCA*), Trend Micro IoT Security (3-year free trial) *License required. Free trial license is not supported.

### Alarm and Event

Event Trigger	Audio detection, camera tampering detection, cybersecurity events (brute force attack event, cyberattack event, quarantine event), manual trigger, motion detection, periodical trigger, recording notification, SD card life expectancy, shock detection, system boot
Event Action	Event notification via camera link, email, HTTP, FTP/SFTP, NAS server, SD card File upload via email, HTTP, FTP/SFTP, NAS server, SD card

### General

Connectors	RJ-45 cable connector for 10/100Mbps Network/PoE connection
LED Indicator	System power and status indicator
Power Input	IEEE 802.3af PoE Class 0
Power Consumption	Max: 12.3W (IR on) Max: 9.9W (IR off)
Dimensions	Ø 129 x 94 mm
Weight	610 g
Certifications	EMC: CE (EN55032, EN55024 Class A, EN50121-4 ), FCC (FCC Part 15 Subpart B Class A), RCM (AS/NZS CISPR32 Class A), VCCI (VCCI-CISPR 32 Class A); Safety: UL (UL62368-1), CB (IEC/EN 62368-1, IEC/EN 60950-22, IEC/EN 62471); Environment: IK10 (IEC 62262), IP66 (IEC 60529); IA: BIS (IS 13252), BSMI (EMC: CNS 13438, Safety: CNS 14336-1)
Operating Temperature	Starting Temperature: -30°C ~ 50°C (-13°F ~ 122°F) Working Temperature(IR on): -40°C ~ 60°C (-40°F ~ 140°F) (IR off) -40°C ~ 50°C (-40°F ~ 122°F) (IR on)
Humidity	98% RH (non-condensing)
Warranty	36 months

### System Requirements

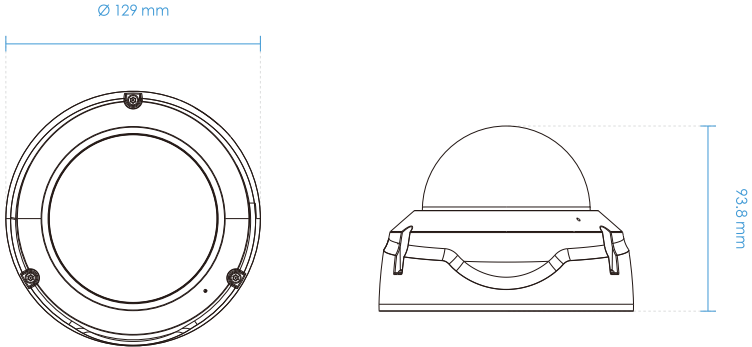
Operating System	Microsoft Windows 10/8/7 Mac 10.12 (Chrome only)
Web Browser	Chrome 58.0 or above Internet Explorer 10/11
Other Players	VLC: 1.1.11 or above

### Included Accessories

Packing Contents	Quick installation guide, alignment sticker, screw pack
------------------	---



# Dimensions



# Compatible Accessories

## Mounting Kits



AM-21A  
L-shape Bracket

## Mounting Kits



AM-51D  
Adapting Plate

## Mounting Kits



AM-528  
Mounting Adapter

## Mounting Kits



AM-71B  
Waterproof Conduit Box



All specifications are subject to change without notice. Copyright©VIVOTEK INC. All rights reserved. Ver. 1