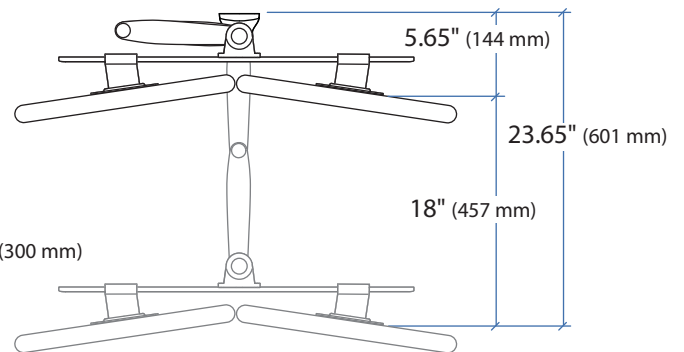
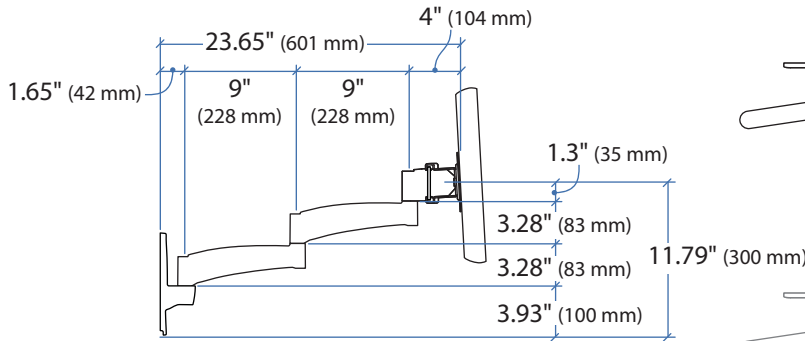
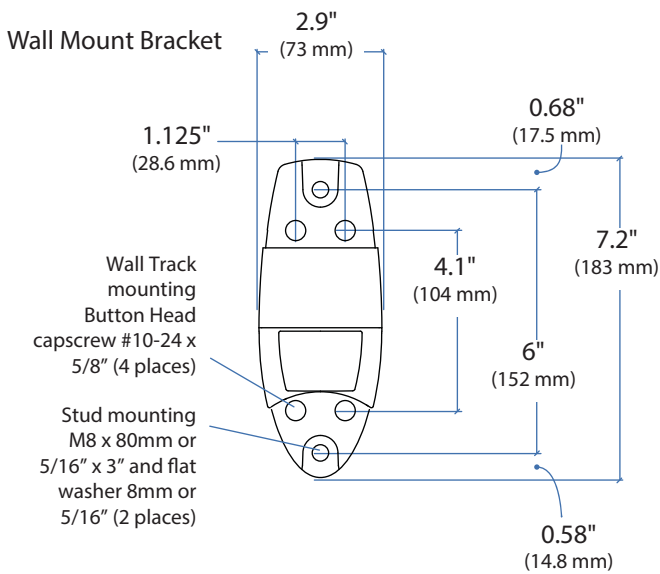


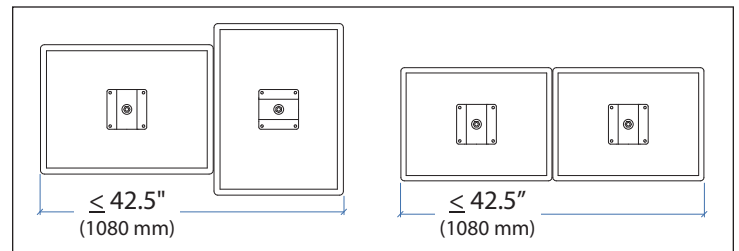
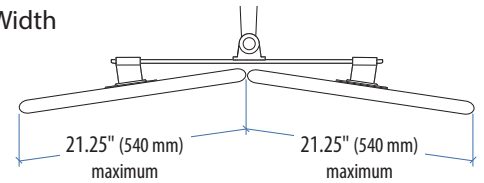
200 Series Dual Display Arm



Top View

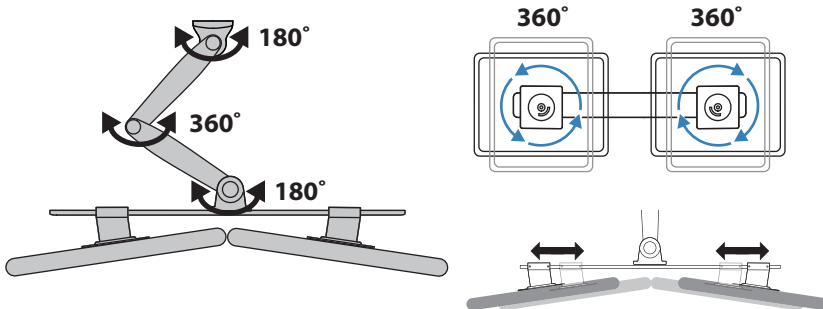


Maximum Monitor Width



***Attention:** Listed allowable widths assume monitor thickness is 2" (51 mm). If monitor thickness is less, allowable width may be more. Contact Ergotron for details.

Range of Motion



Maximum Weight Capacity

