



Dolphin™ CT50

powered by Windows® Embedded 8.1 Handheld

Quick Start Guide

Out of the Box

Make sure that your shipping box contains these items:

- Dolphin CT50 mobile computer (Models CT50L0N, CT50LUN, CT50LFN)
- Rechargeable 3.6 VDC Li-ion battery
- Quick start guide and regulatory compliance sheet

If you ordered accessories for your mobile computer, verify that they are also included with the order. Be sure to keep the original packaging in case you need to return the mobile computer for service.

Memory Card Specifications

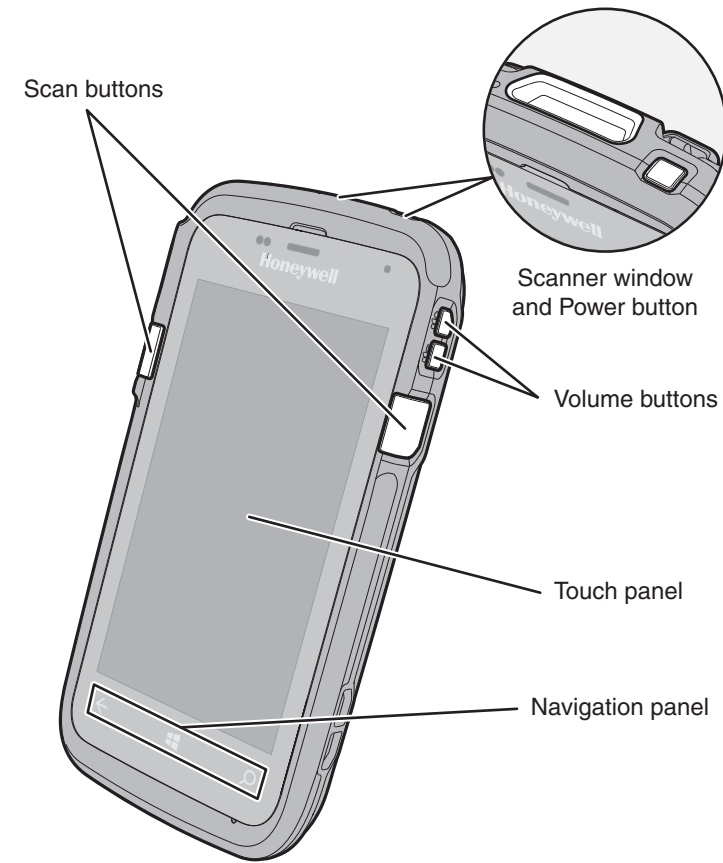
Honeywell recommends the use of Single Level Cell (SLC) industrial grade microSD™ or microSDHC™ memory cards with Dolphin mobile computers for maximum performance and durability. Contact a Honeywell sales representative for additional information on qualified memory card options.

Accessories for the CT50

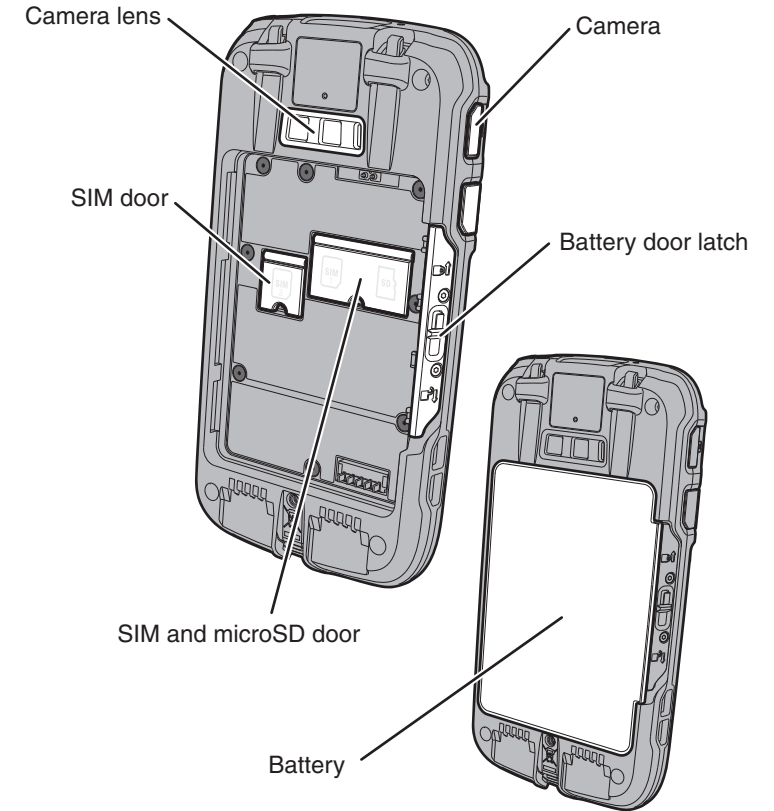
These accessories are available for the CT50:

- HomeBase (Model CT50-HB)
- Ethernet HomeBase Model CT50-EB)
- ChargeBase (Model CT50-CB)
- NetBase (Model CT50-NB)
- Quad Battery Charger (Model CT50-QBC)
- Vehicle Power Adapter (Model CT50-MC)
- Vehicle Dock (Model CT50-MB)
- USB Adapter (Model CT50-USB)
- Scan Handle
- Holster

Front Features

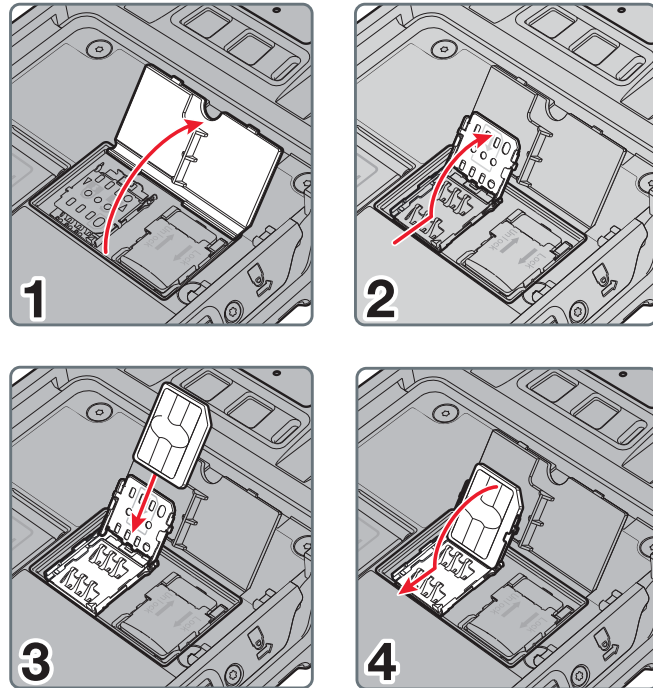


Back Features



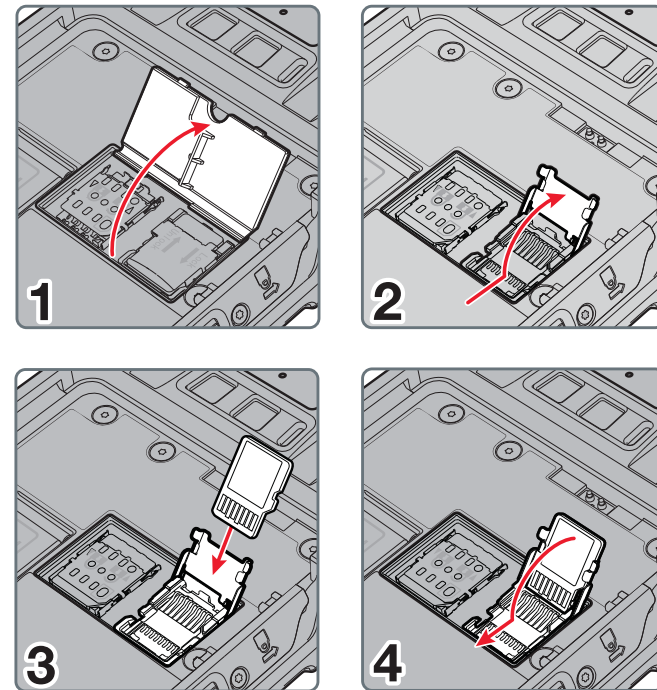
CT50W8-ENUS-QS Rev A
6/15

Install a microSIM Card



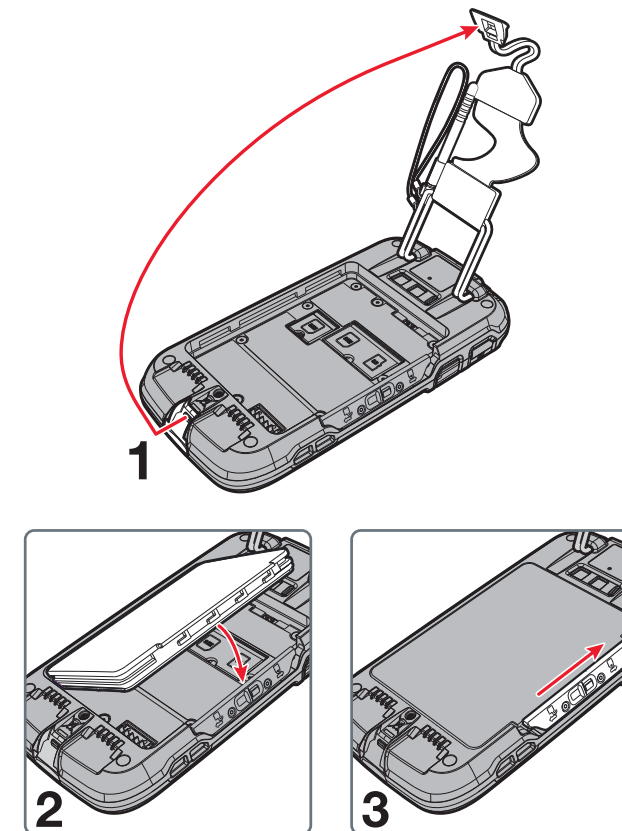
Install a microSD Card

Note: Format the microSD card before initial use.



Install the Battery

The CT50 mobile computers ship with a Li-ion 3.6 VDC, 14.6 watt-hour battery manufactured for Honeywell International Inc.



Charge the Computer

The CT50 mobile computer ships with a partially charged battery. Charge the battery with a CT50 charging device for a minimum of **4 hours**. Using the computer while charging the battery increases the time required to reach a full charge.

Caution: We recommend the use of Honeywell accessories and power adapters. Use of any non-Honeywell accessories or power adapters may cause damage not covered by the warranty.

Mise en garde : Il est recommandé d'utiliser les périphériques, les cordons d'alimentation et les adaptateurs secteur conçus par Honeywell. L'utilisation de tout périphérique, cordon d'alimentation ou adaptateur secteur d'une autre marque est susceptible de provoquer des dommages non couverts par la garantie.

The CT50 mobile computers are designed for use with the following charging accessories: HomeBase, Ethernet HomeBase, ChargeBase, NetBase, Quad Battery Charger, Vehicle Power Adapter, Vehicle Dock, and USB Adapter.

Caution: Make sure that all components are dry prior to using the computers and batteries with accessories. Using wet components may cause damage not covered by the warranty.

Mise en garde : Assurez-vous que tous les composants sont secs avant de connecter les terminaux/batteries à des périphériques. L'insertion de composants humides risque de provoquer des dommages non couverts par la garantie.

Power On the CT50 for the First Time

To learn about creating custom provisioning XML files, see the *Windows Embedded 8.1 Handheld Administrators Guide* at <https://technet.microsoft.com/en-us/library/dn499757.aspx>.

To quickly start the mobile computer for the first time, use one of these options.

Option 1: Scan the quick start bar code

1. Press the **Power** button.
2. From the Welcome screen, select your language and then touch **next**.
3. Point the computer at the bar code below.
4. Press one of the **Scan** buttons.



The computer beeps twice and “configuration received” appears on the screen under Barcode.

5. Touch **next**. “Configuration progress...” appears on the screen.

When the computer finishes starting up, the Start screen appears.

Option 2: Use the Consumer setup option

1. Press the **Power** button.
2. From the Welcome screen, select your language and then touch **next**.
3. On the Set up Your Handheld screen, touch **More Options**.

4. Select **Consumer setup**. The computer restarts and then displays the Welcome back screen.
5. On the Connect to Wi-Fi screen, select a Wi-Fi network from the available network list.
6. Type the appropriate security credentials and then select **done**.
7. Select either **recommended** or **custom** from the Set up your Handheld screen and touch **OK**.
8. Follow the onscreen prompts to set up the computer and create a Microsoft® account (optional).

To learn more about what you can do with a Microsoft account, go to www.windowsphone.com.

Turn Power On or Off

To turn the computer on:

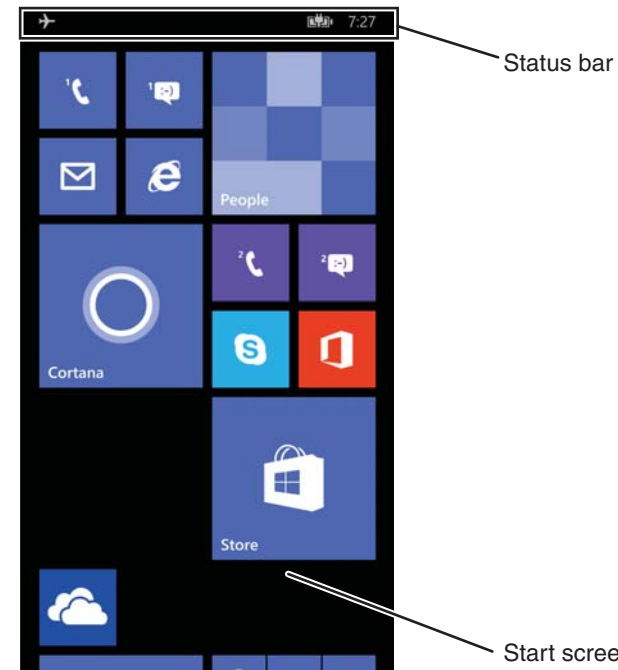
- Press and release the **Power** button.

To turn the computer off:

1. Press and hold the **Power** button until “slide down to power off” appears on the screen.
2. Slide the screen down until the image disappears and “Goodbye” appears on the screen.

Note: You should always power off the computer before removing the battery.

About the Home Screen



Adjust the Screen Time Out Setting

To adjust the amount of time before the screen times out after inactivity:

1. Scroll to the bottom of the screen and touch **All apps**.
2. Scroll down to **Settings**.
3. Scroll down to **lock screen**.
4. Select the amount of time for the **Screen times out after** setting.
5. Touch the Home icon to return to the Home screen.

Lock Screen (Screen Time Out)

Screen Time Out mode automatically turns the touch panel display off and locks the computer to save battery power when the computer is inactive for a programmed period of time.

1. Press and release the **Power** button to wake up the computer from sleep mode.
2. Drag the splash screen toward the top edge of the display to unlock the computer.

Turn Airplane Mode On/Off

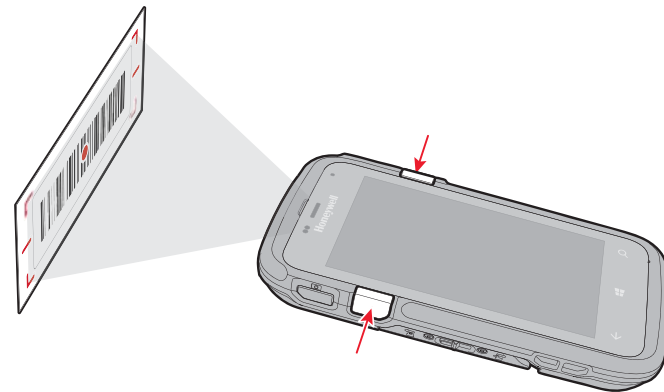
1. Scroll to the bottom of the screen and touch **All apps**.
2. Scroll down to **Settings**.
3. Touch **airplane mode**.
4. Move the **Status** slider to the right to turn airplane mode on.

Note: When Airplane Mode is turned on,  appears on the status bar.

Scan a Bar Code with the ScanDemo




Note: For optimum performance, avoid reflections by scanning the bar code at a slight angle.

1. Scroll to the bottom of the screen and touch **All apps**.
2. Scroll down to **Settings**.
3. Scroll down to **ScanDemo**.
4. Point the computer at the bar code.
5. Touch **Scan** on the touch screen or press and hold a **Scan** button. Center the aiming beam over the bar code.



The decode results appear on the screen.

How to Use the Color Camera

1. Press the **Camera** button.
2. Select either **single photo** mode , **video** mode , or **burst** mode  in the viewfinder.
3. Point the camera lens at the object you want to capture. The camera lens is located on the back of the computer.
4. Touch the **single photo** icon to capture a single photo. Touch the **video** icon to start recording video. Select the shutter again to stop recording.

Restart the Computer

You may need to restart the computer to correct conditions where an application stops responding to the system or the computer seems to be locked up.

1. Press and hold the **Power** button until “slide down to power off” appears on the screen.
2. Slide the window down to the bottom of the screen. “Goodbye” appears on the screen before the computer turns off.




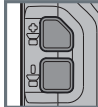
To restart the computer if the touch panel display is unresponsive:

- Press and hold the **Power** button for approximately 8 seconds until the computer restarts.

Reset the Computer

For information on how to perform a Factory Reset (Clean Boot), see the user guide.

Navigation and Function Buttons

Buttons	Description	Function
	Back	Back to the previous screen.
	Home	Returns to the Home screen.
	Search	Start a search on the computer or the Internet.
	Volume	Raises or lowers the volume of the active speaker.

Note: Additional functionality varies according to the application in use.

Support

To search our knowledge base for a solution or log into the Technical Support portal and report a problem, go to www.hsmcontactsupport.com.

User Documentation

For the user guide and other documentation, go to www.honeywellaidc.com.

Limited Warranty

For warranty information, go to www.honeywellaidc.com and click **Resources > Warranty**.

Patents

For patent information, see www.hsmpats.com.

Trademarks

Android and Google and other marks are trademarks of Google Inc.

Disclaimer

Honeywell International Inc. (“HII”) reserves the right to make changes in specifications and other information contained in this document without prior notice, and the reader should in all cases consult HII to determine whether any such changes have been made. The information in this publication does not represent a commitment on the part of HII.

HII shall not be liable for technical or editorial errors or omissions contained herein; nor for incidental or consequential damages resulting from the furnishing, performance, or use of this material. HII disclaims all responsibility for the selection and use of software and/or hardware to achieve intended results.

This document contains proprietary information that is protected by copyright. All rights are reserved. No part of this document may be photocopied, reproduced, or translated into another language without the prior written consent of HII.

Copyright © 2015 Honeywell International Inc. All rights reserved.