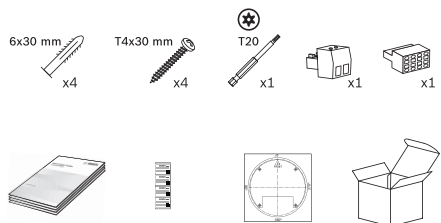
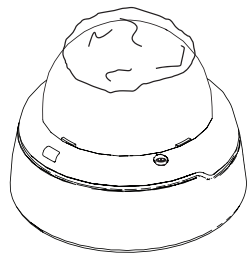
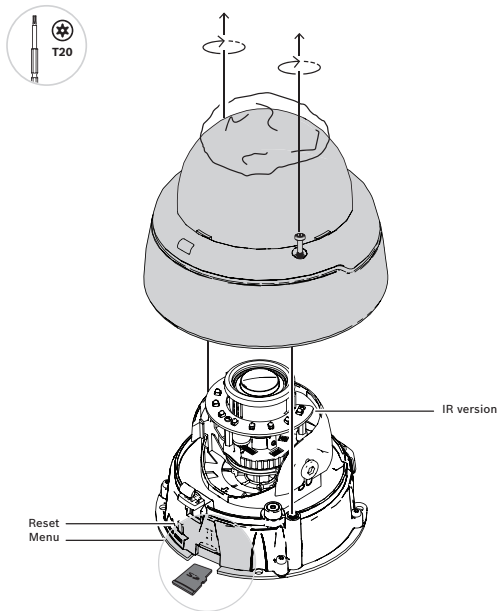


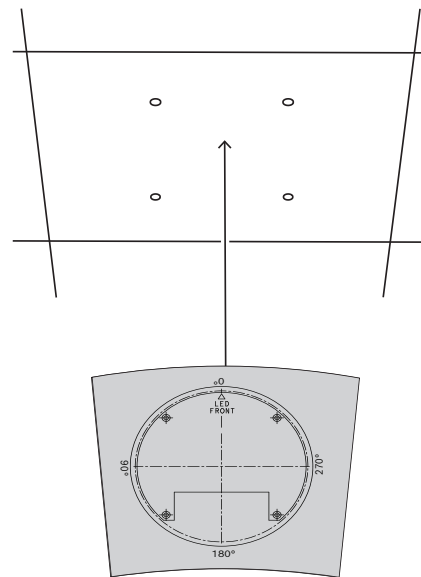
1 |



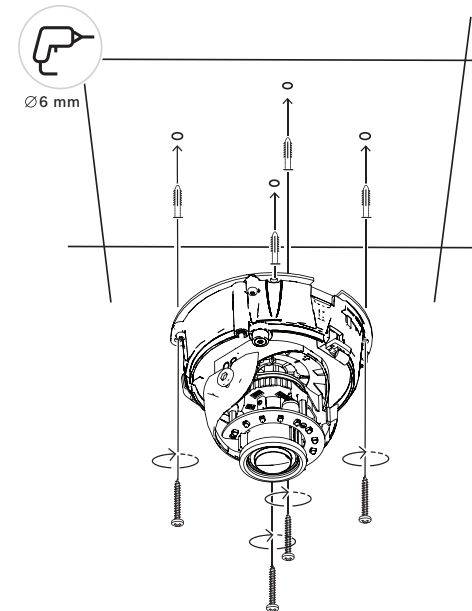
2 |



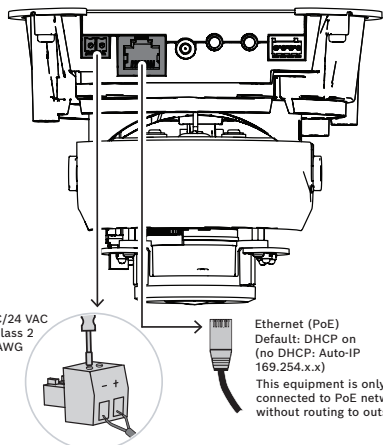
3 |



4 |



5 |

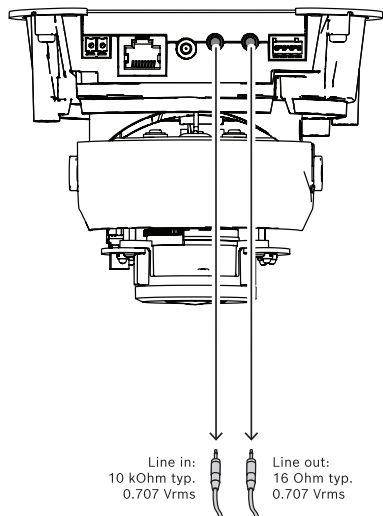


12 VDC/24 VAC  
SELV Class 2  
24-28 AWG

Ethernet (PoE)  
Default: DHCP on  
(no DHCP: Auto-IP  
169.254.x.x)  
This equipment is only to be  
connected to PoE networks  
without routing to outside plant.

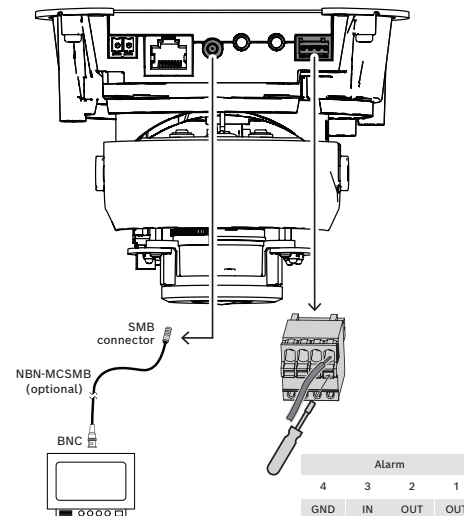
If powered by a power adapter,  
the adapter should be properly grounded.

6 |



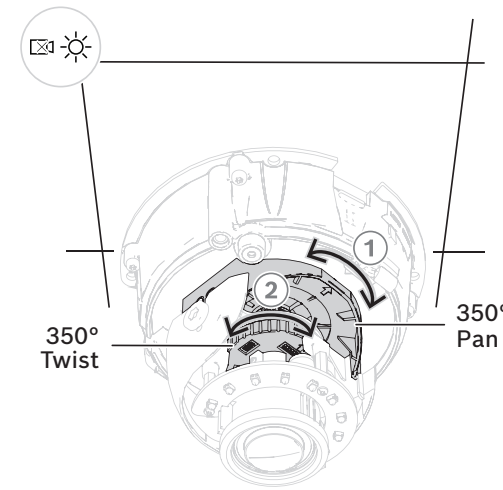
Line in:  
10 kOhm typ.  
0.707 Vrms  
Line out:  
16 Ohm typ.  
0.707 Vrms

7 |

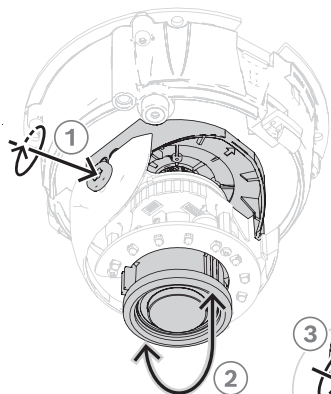


| Alarm |    |     |     |
|-------|----|-----|-----|
| 4     | 3  | 2   | 1   |
| GND   | IN | OUT | OUT |

8 |



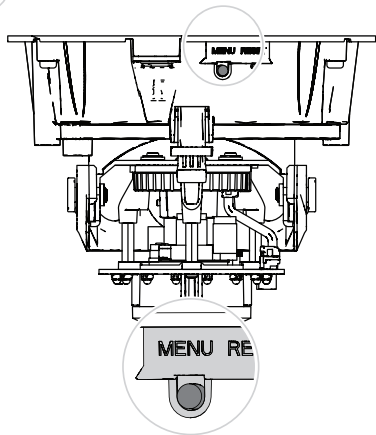
Do not position light  
sensor below edge of  
cover (IR only).



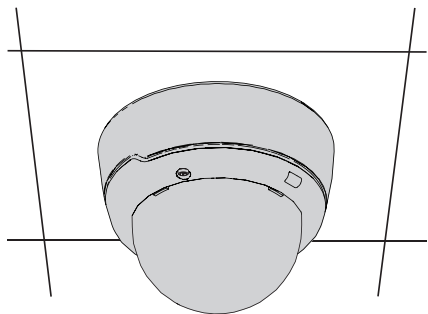
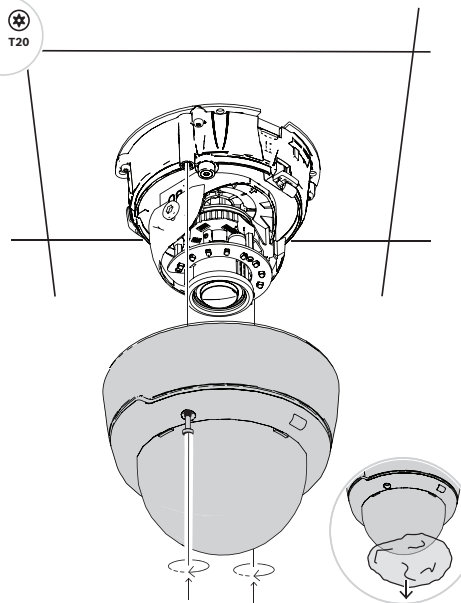
130° Tilt



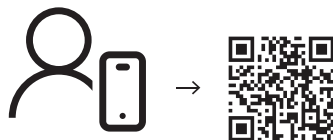
Do not position light sensor below edge of cover (IR only).



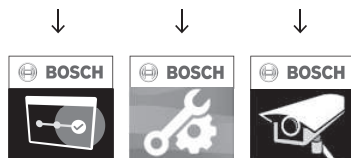
|                           |                                  |                             |
|---------------------------|----------------------------------|-----------------------------|
| 1. <2s> On                | 2. >2s> 180°                     | 3. <2s> Default             |
| 4. <2s> Focus - autofocus | 5. <2s> Zoom (0-6) ↑ <2s> ↓      | 6. >2s> Zoom OK - autofocus |
| 7. <2s> Focus & Zoom OK   | 8. <2s> Analog (i) <2s> format → | 9. >2s> Output OK           |



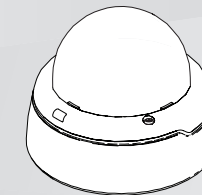
Project Assistant App + Configuration Manager + Video Security Client  
Windows | iOS | android



<https://downloadstore.boschsecurity.com/>



**FLEXIDOME IP 4000i | 5000i indoor**  
**FLEXIDOME IP starlight 5000i (IR) indoor**  
NDI-4502-A | NDI-4502-AL | NDI-5503-A |  
NDI-5503-AL | NDI-5502-A | NDI-5502-AL



en Quick installation guide

**Bosch Security Systems B.V.**  
Torenallee 49  
5617 BA Eindhoven  
The Netherlands  
[www.boschsecurity.com](http://www.boschsecurity.com)  
© Bosch Security Systems B.V., 2020