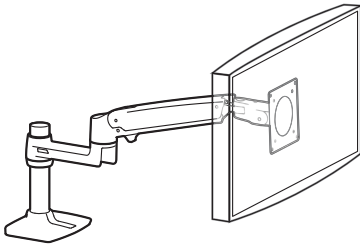
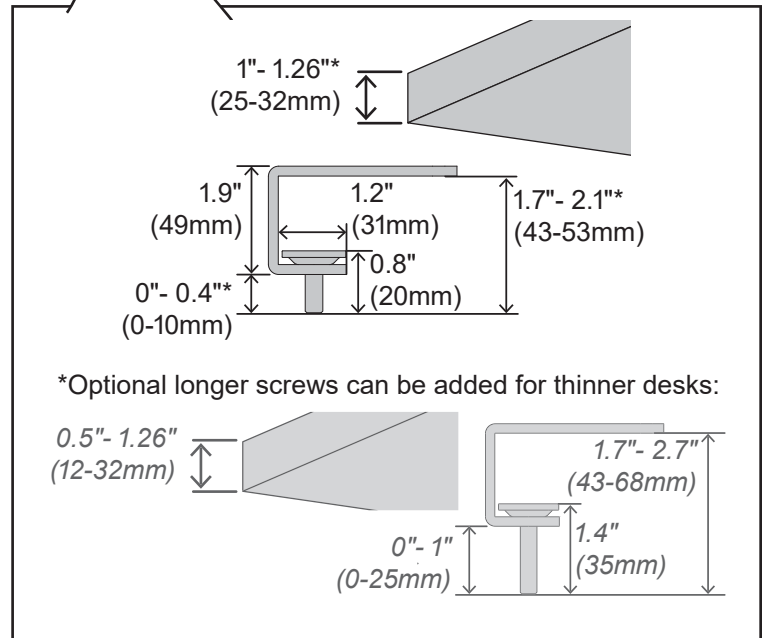
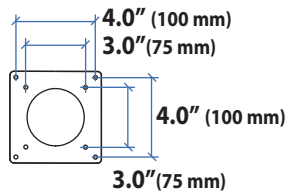
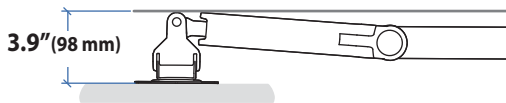
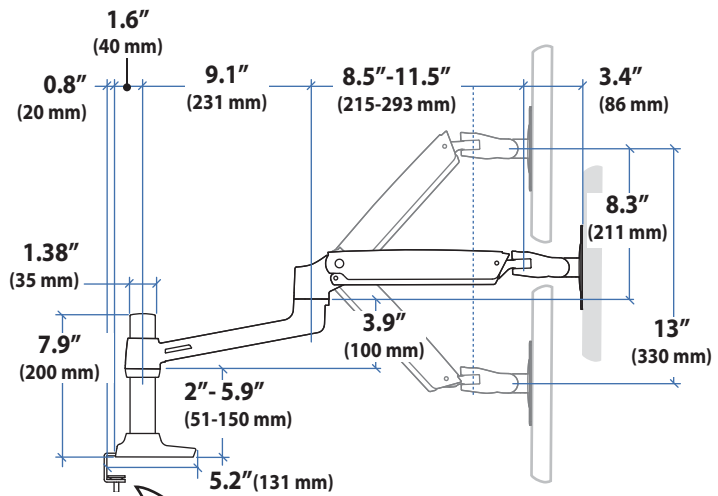
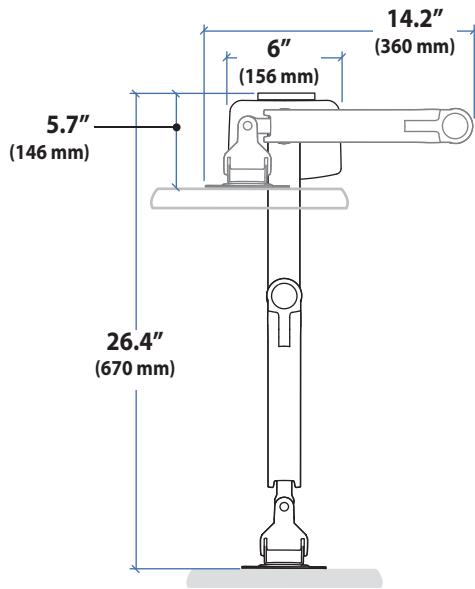


# LX Desk Mount Monitor Arm with C-Clamp (under mount)



## Dimensions



© 2017 Ergotron, Inc. rev. 01/07/2019 DIM-LXClamp Content is subject to change without notification

### Americas Sales and Corporate Headquarters

St. Paul, MN USA  
(800) 888-8458  
+1-651-681-7600  
www.ergotron.com  
sales@ergotron.com

### EMEA Sales

Amersfoort, The Netherlands  
+31 33 45 45 600  
www.ergotron.com  
info.eu@ergotron.com

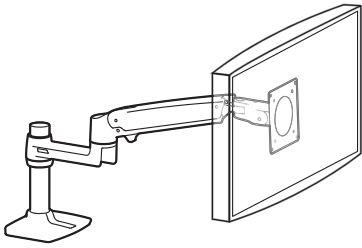
### APAC Sales

Tokyo, Japan  
www.ergotron.com  
japansupport@ergotron.com

### Worldwide OEM Sales

www.ergotron.com  
info.oem@ergotron.com

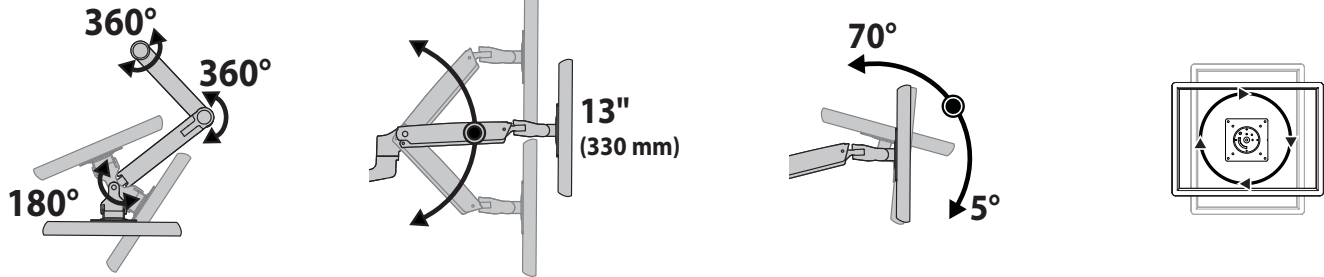




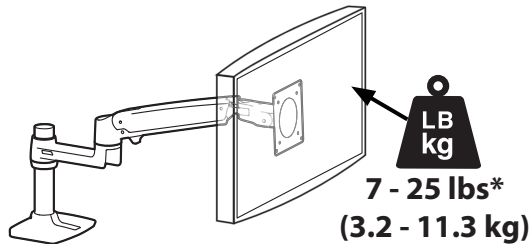
# LX Desk Mount Monitor Arm

with C-Clamp (under mount)

## Range of Motion

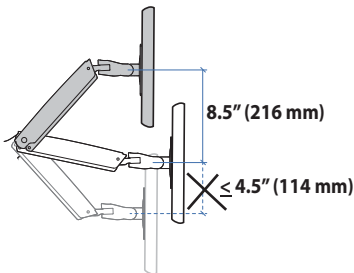


## Weight Capacity



Monitor depth greater than 2.5" (64 mm) may diminish capacity.  
Call Ergotron for more information.

**\* The lower most range of motion for vertical lift is decreased up to 4.5" (114 mm) when arm is adjusted to hold over 20lbs (9 kgs).**



**Americas Sales and Corporate Headquarters**

St. Paul, MN USA  
(800) 888-8458  
+1-651-681-7600  
www.ergotron.com  
sales@ergotron.com

**EMEA Sales**

Amersfoort, The Netherlands  
+31 33 45 45 600  
www.ergotron.com  
info.eu@ergotron.com

**APAC Sales**

Tokyo, Japan  
www.ergotron.com  
japansupport@ergotron.com

**Worldwide OEM Sales**

www.ergotron.com  
info.oem@ergotron.com