

Europe, Middle East

ENGLISH
FRANÇAIS
DEUTSCH
NEDERLANDS
ITALIANO
ESPAÑOL
PORTUGUÊS
РУССКИЙ
ΕΛΛΗΝΙΚΑ
TÜRKÇE
POLSKI

العربية

North America/

Norteamérica

ENGLISH
FRANÇAIS
ESPAÑOL

Latin America/

América Latina

ENGLISH
ESPAÑOL



THRUSTMASTER®

TMX^{PRO}

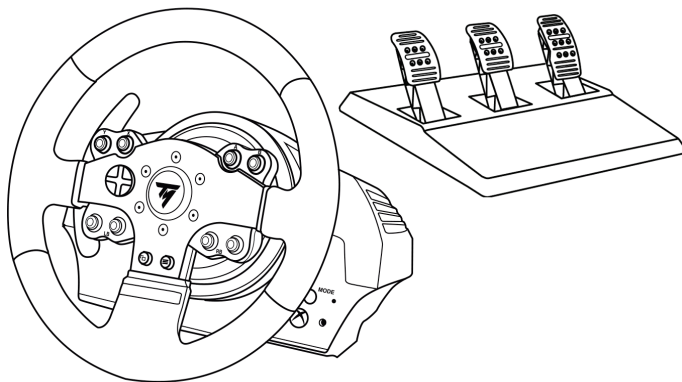
FORCE FEEDBACK

TMX PRO

FORCE FEEDBACK

FOR XBOX ONE AND PC

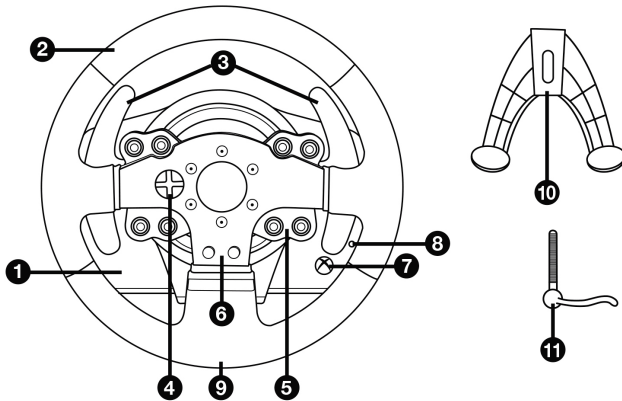
User Manual



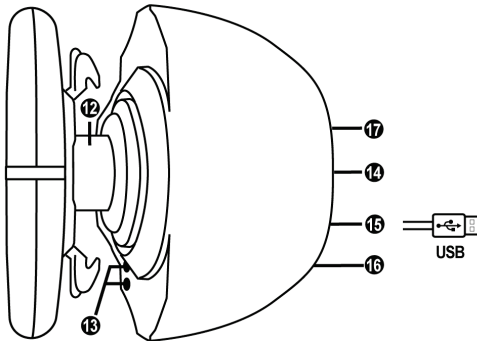
WARNING:

To ensure that your TMX racing wheel functions correctly with Xbox One and PC games, you may be required to install the game's automatic updates (available when your console or PC is connected to the Internet).

TECHNICAL FEATURES



- | | | | |
|---|--|----|---|
| 1 | TMX base | 7 | Xbox Guide button + White indicator light |
| 2 | Wheel | 8 | MODE button + Red/Green indicator light |
| 3 | 2 sequential paddle shifters (up & down) | 9 | Large threaded hole (for attachment system and fastening screw) |
| 4 | Directional buttons | 10 | Attachment system |
| 5 | Action buttons | 11 | Metal fastening screw |
| 6 | Action buttons | | |



- | | | | |
|----|---|----|---|
| 12 | Steering axis | 15 | Racing wheel USB cable and connector |
| 13 | Xbox Guide button + White indicator light | 16 | Gearbox connector
<i>(gearbox sold separately)</i> |
| 14 | Power cable
or Power supply connector
<i>(varies from one country to another)</i> | 17 | Pedal set connector |

WARNING

Before using this product, please read this manual carefully and save it for later reference.



Warning – Electrical shock

- * Keep the product in a dry location and do not expose it to dust or sunlight.
- * Do not twist or pull on the connectors and cables.
- * Do not spill any liquid on the product or its connectors.
- * Do not short-circuit the product.
- * Never dismantle the product; do not throw it onto a fire and do not expose it to high temperatures.
- * Do not use a power supply cable other than the one provided with your racing wheel.
- * Do not use the power supply cable if the cable or its connectors are damaged, split or broken.
- * Make sure that the power supply cable is properly plugged into an electrical outlet, and properly connected to the connector at the rear of the racing wheel's base.
- * Do not open up the racing wheel: there are no user-serviceable parts inside. Any repairs must be carried out by the manufacturer, its authorised representative or a qualified technician.
- * Only use attachment systems/accessories specified by the manufacturer.
- * If the racing wheel is operating abnormally (if it is emitting any abnormal sounds, heat or odors), stop using it immediately, unplug the power supply cable from the electrical outlet and disconnect the other cables.
- * If you will not be using the racing wheel for an extended period of time, unplug its power supply cable from the electrical outlet.
- * Only use the power supply provided with your racing wheel (in the event of an external power supply).
- * The power outlet shall be installed near the equipment and shall be easily accessible.



Air vents

Make sure not to block any of the air vents on the racing wheel's base. For optimal ventilation, make sure to do the following:

- * Position the wheel's base at least 10cm away from any wall surfaces.
- * Do not place the base in any tight spaces.
- * Do not cover the base.
- * Do not let any dust build up on the air vents.



**For safety reasons, never use the pedal set with bare feet
or while wearing only socks on your feet.**

**THRUSTMASTER® DISCLAIMS ALL RESPONSIBILITY IN THE EVENT OF
INJURY RESULTING FROM USE OF THE PEDAL SET WITHOUT SHOES.**



Warning – Injuries due to force feedback and repeated movements

Playing with a force feedback racing wheel may cause muscle or joint pain. To avoid any problems:

- * Avoid lengthy gaming periods.
- * Take 10 to 15 minute breaks after each hour of play.
- * If you feel any fatigue or pain in your hands, wrists, arms, feet or legs, stop playing and rest for a few hours before you start playing again.



Warning – Injuries due to force feedback and repeated movements (continued)

- * If the symptoms or pain indicated persist when you start playing again, stop playing and consult your doctor.
- * Keep out of children's reach.
- * During gameplay, always leave both hands correctly positioned on the wheel without completely letting go.
- * During gameplay, never place your hands or your fingers under the pedals or anywhere near the pedal set.
- * During calibration and gameplay, never place your hand or your arm through the openings in the racing wheel.
- * Make sure that the racing wheel's base is properly secured, as per this manual's instructions.

HEAVY PRODUCT



Product to be handled only by users
14 years of age or older



Be careful not to drop the product on
yourself or on anyone else!

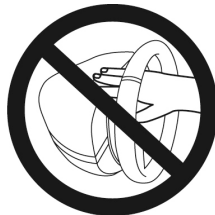
ALWAYS



NEVER



NEVER

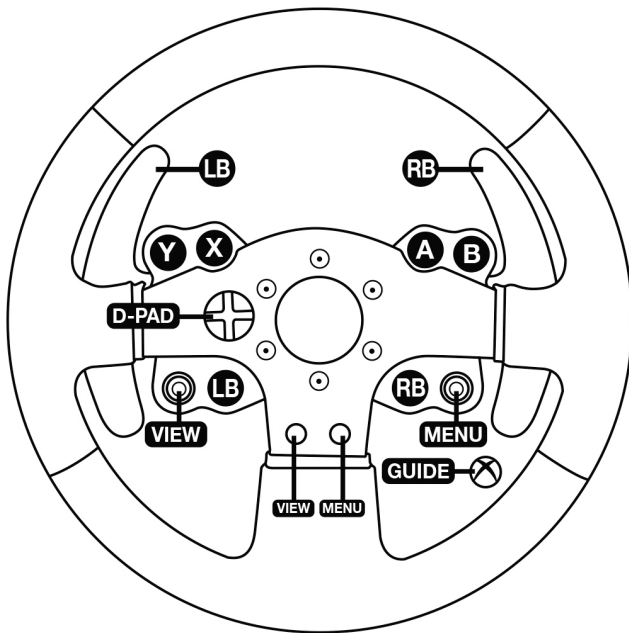


SETTING UP THE RACING WHEEL FOR XBOX ONE

1. Connect the pedal set to the connector (17) located at the back of the racing wheel's base.
2. Connect the power supply cable to the connector (14) located at the back of the racing wheel's base.
3. Plug the power supply cable into an electrical outlet with the same voltage specifications.
4. Connect the racing wheel's USB connector (15) to one of the console's USB ports.
5. Once your console is powered on, your racing wheel will calibrate itself automatically.
You are now ready to play!

- The list of Xbox One games compatible with the TMX Force Feedback is available at:
<http://support.thrustmaster.com> (in the Racing Wheels/TMX section).
This list is updated regularly.

XBOX ONE MAPPING



SETTING UP THE RACING WHEEL FOR PC

1. Go to <http://support.thrustmaster.com> to download the drivers and the force feedback software for PC. Click Racing Wheels / TMX Force Feedback, then select Drivers.

2. Once the download is complete, launch the installation, and follow the on-screen instructions to connect the wheel's USB plug to your computer and complete the installation.

3. Once the installation is complete, click Finish and restart your computer.

4. Select Start / All Programs / Thrustmaster / FFB Racing Wheel / Control Panel to open the Game Controllers window.

The Game Controllers window displays the racing wheel's name Thrustmaster TMX Racing Wheel with the status OK.

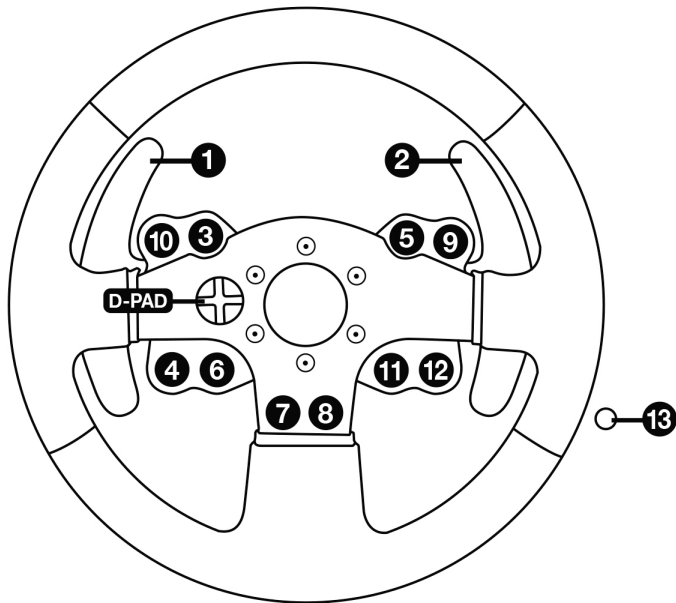
5. Click Properties to configure your wheel in the TMX control panel:

- Test Input tab: allows to test and view the action buttons, directional buttons, wheel and pedals axes, and to adjust the wheel's rotation angle in your PC games.
- Test Forces tab: allows to test 12 force feedback effects.
- Gain Settings tab: allows to adjust the power of the force feedback effects in your PC games.

You are now ready to play!

General notes:

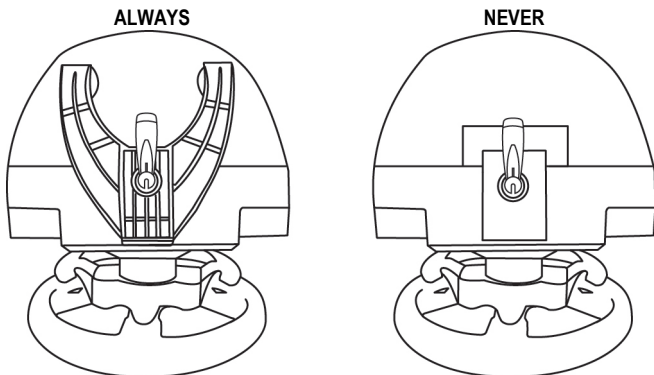
- On PC, click OK to close the Game Controllers window before launching the game.
- On PC, the adjustments made in the Game Controllers window will only be saved on your computer (hence they will have no effect on Xbox One).
- Your wheel's firmware version is displayed in the upper right-hand corner of the TMX Force Feedback control panel tabs.



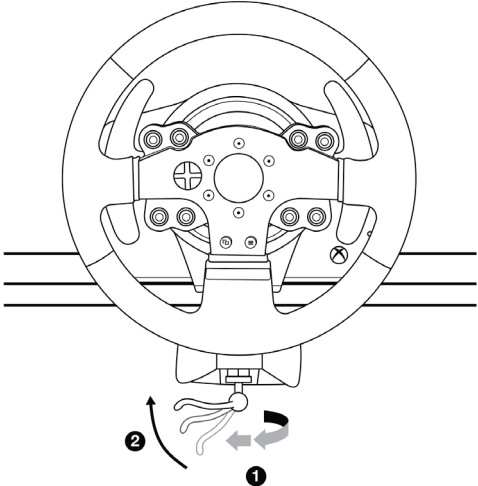
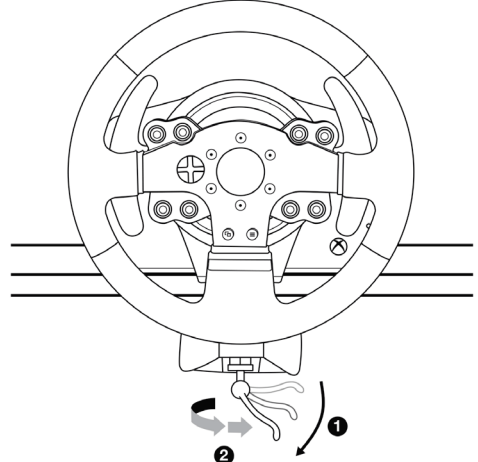
ATTACHING THE RACING WHEEL

Attaching the racing wheel to a table or a desktop

1. Place the racing wheel on a table or any other horizontal, flat and stable surface.
2. Insert the fastening screw (11) in the attachment system (10), then tighten the device by turning the screw counterclockwise, so that it feeds into the large threaded hole (9) located beneath the racing wheel, until the wheel is perfectly stable.



WARNING: Never tighten the screw alone, without the attachment system in place!
(This could damage the racing wheel.)

ATTACHMENT / REMOVAL	DIRECTION
<p><u>To tighten:</u></p> <p><i>Turn the screw anticlockwise</i></p>	
<p><u>To release:</u></p> <p><i>Turn the screw clockwise</i></p>	

AUTOMATIC RACING WHEEL CALIBRATION

The wheel automatically self-calibrates when you plug the racing wheel into an electrical outlet and connect the racing wheel's USB connector to the Xbox One.

During this phase, the racing wheel will rotate quickly towards the left and the right, covering a 900 degree angle, before stopping at the center.

WARNING: Never touch the racing wheel during the self-calibration phase!

(This could result in improper calibration and/or personal injuries.)

MODE BUTTON AND INDICATOR LIGHT (8)

MODE button for the pedal set

The MODE button allows you to electronically swap the accelerator and clutch pedals.

To do so, simply press the MODE button (8) for 2 seconds.

The racing wheel's internal memory stores whether the pedals have been swapped around or not.

GAS AND CLUTCH PEDALS	Color of the MODE indicator light (8)
NORMAL	RED
SWAPPED AROUND	GREEN



WARNING:

With the included T3PA pedal set, make sure that the indicator light remains red!
(or else the gas pedal will not function properly)

Other information regarding the MODE button

To learn more about the MODE button and indicator light, please visit <http://support.thrustmaster.com>. Click **Racing Wheels / TMX Force Feedback**, then select **Manual** or **FAQ**.

UPDATING YOUR RACING WHEEL'S FIRMWARE

The firmware included in your racing wheel's base can be updated to a more recent version featuring product enhancements.

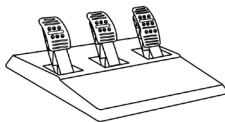
To display the firmware version that your racing wheel is currently using and update it if required: on PC, visit <http://support.thrustmaster.com>. Click **Racing Wheels / TMX Force Feedback**, then select **Firmware** and follow the instructions describing the download and installation procedure.

HELP FILES AND FAQs (NOT INCLUDED IN THIS MANUAL)

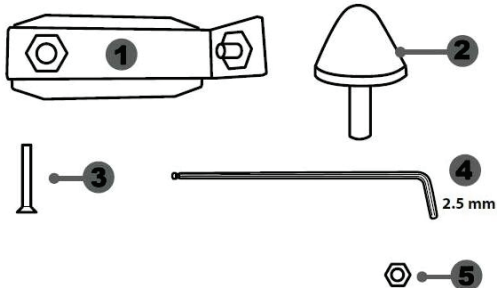
Please visit <http://support.thrustmaster.com>, click **Racing Wheels / TMX Force Feedback**, then select **Manual** or **FAQ**.

If your racing wheel and/or pedal set do not function correctly, or if they seem to be improperly calibrated:

Power off your console or PC and completely disconnect the racing wheel. Then reconnect all cables (including the power supply cable and the pedal set), and restart your console or PC and your game.



TECHNICAL FEATURES



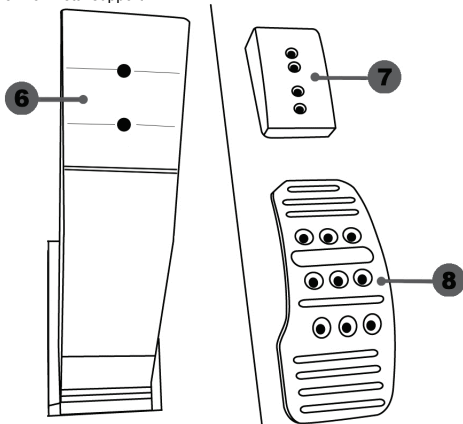
1 Metal support for conical stop
(not installed by default)

2 Conical stop

3 Attachment screw for metal support

4 2.5 mm Allen key (included)

5 Position adjustment nut for conical stop



6 Pedal arm

7 Plastic head support

8 Metal pedal head

WARNING

Before using this product, be sure to read these instructions carefully and save them for future reference.



For safety reasons, never use the pedal set with bare feet or while wearing only socks on your feet.

THRUSTMASTER® DISCLAIMS ALL RESPONSIBILITY IN THE EVENT OF INJURY RESULTING FROM USE OF THE PEDAL SET WITHOUT SHOES.



Warning – Pedal set pinching hazard during gaming sessions

- * Keep the pedal set out of the reach of children.
- * During gaming sessions, never place your fingers or thumbs on or near the sides of the pedals.
- * During gaming sessions, never place your fingers or thumbs on or near the rear base of the pedals.
- * During gaming sessions, never place your fingers or thumbs on or near the front base of the pedals.

NEVER



NEVER



NEVER



AUTOMATIC CALIBRATION OF PEDALS



IMPORTANT:

- Never connect or disconnect the pedal set from the base of the wheel when the wheel is connected to the console or PC, or during gaming sessions, to avoid calibration problems.
- = Always connect the pedal set to the wheel before connecting the wheel to the console or PC.

- Once the wheel has self-calibrated and the game has started, the pedals automatically calibrate themselves after being pressed a few times.

- Never press on the pedals when the wheel is self-calibrating or when your game is starting up, to avoid calibration problems.

- If the pedals are not functioning correctly or appear to be improperly calibrated, power off your console, completely disconnect your wheel, then reconnect all of the cables (including the power supply cable and the pedal set cable), power the console back on and restart your game.

ATTACHING THE PEDAL SET TO A COCKPIT

- Attach the pedal set using the small screw threads located on the underside of the pedal set.
- Screw two M6 screws (not included) into the cockpit's pedal support plate and into the two small screw threads located on the underside of the pedal set.

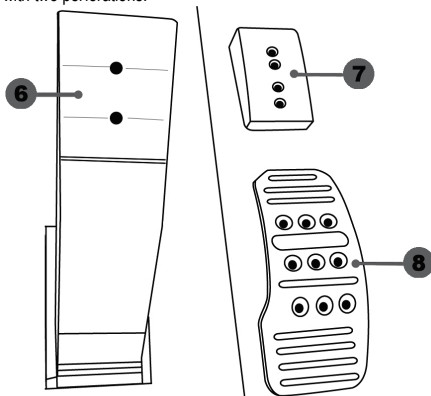
Important: The length of the two M6 screws must not exceed the thickness of the cockpit's pedal support plate plus an additional 10 mm, to avoid damaging the pedal set's internal components.

Layout diagrams for cockpits are available at <http://support.thrustmaster.com>: click **Racing Wheels / TMX Force Feedback**, then select **Manual** or **FAQ**.

ADJUSTING THE PEDAL SET

Each of the three pedals includes:

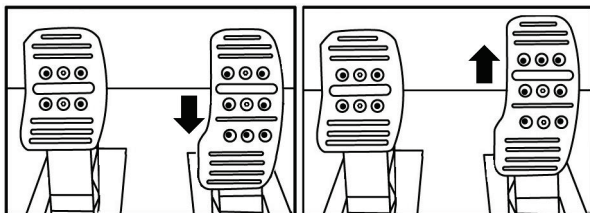
- A metal head (8) with multiple perforations (nine for the accelerator – six for the brake – six for the clutch).
- A plastic head support (7) (placed between the head and the arm) with four perforations.
- A pedal arm (6) with two perforations.



ATTENTION: To avoid any calibration problems, be sure to always disconnect your wheel's USB cable from the console or PC before making any adjustments to your pedal set.

Adjusting the HEIGHT of the accelerator pedal

- Using the included 2.5 mm Allen key (4), unscrew the two screws holding the metal head (8) and its support (7) in place.
- Select your preferred height position, then replace and re-tighten the screws so that the metal head (8) and its support (7) are held firmly in place.



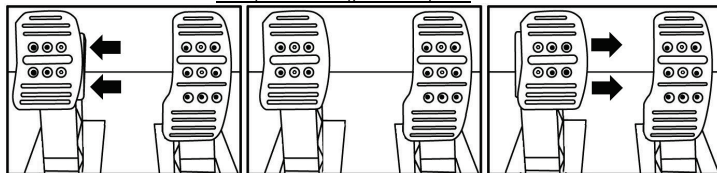
Low position (default)

High position

Adjusting the SPACING of the three pedals

- Using the included 2.5 mm Allen key (4), unscrew the two screws holding the metal head (8) and its support (7) in place.
- Select your preferred position (to the left, centered, or to the right), then replace and re-tighten the screws so that the metal head (8) and its support (7) are held firmly in place.

Examples illustrating the brake pedal:



Left position

Centered position (default)

Right position

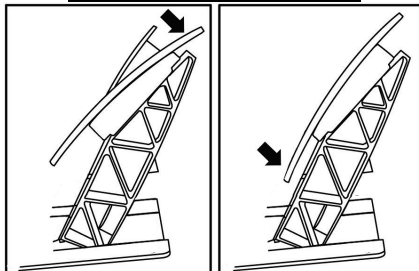
Number of possible spacing positions per pedal:

- Three for accelerator pedal
- Three for brake pedal
- Three for clutch pedal

Adjusting the INCLINATION of the pedals

- Using the included 2.5 mm Allen key (4), unscrew the two screws holding the metal head (8) and its support (7) in place.
- Turn the plastic head support (7) 180°, then replace and re-tighten the screws so that the metal head (8) and its support (7) are held firmly in place.

Examples illustrating the accelerator pedal:



Less inclined position

More inclined position (default)

Number of possible inclination positions per pedal:

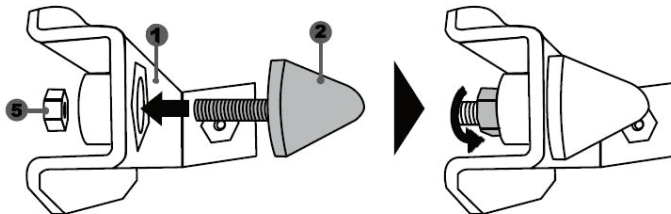
- Two for accelerator pedal
- Two for brake pedal
- Two for clutch pedal

Installing the conical stop (“CONICAL RUBBER BRAKE” mod)

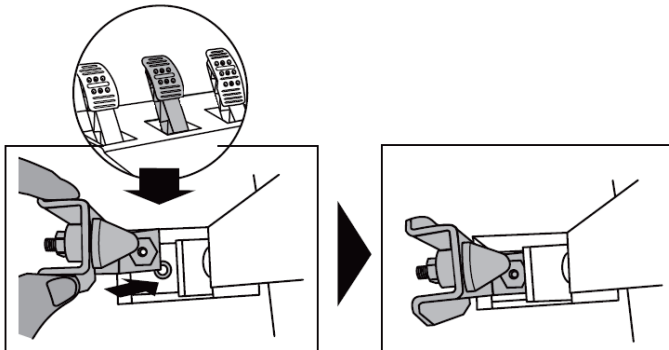
This modification (or “mod”) is not essential, and is not installed by default. This means that the brake pedal functions perfectly even if the mod is not installed.

This mod lets you experience a different feeling and resistance when braking. It’s up to you whether or not to install it, depending on your own preferences.

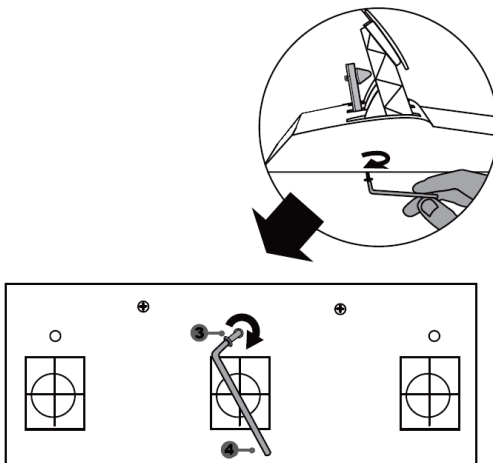
- Screw the conical stop (2) onto its metal support (1).
- Screw the position adjustment nut (5) onto the bottom (onto the conical stop’s screw thread).



- Position the unit at the back of the brake pedal’s arm.



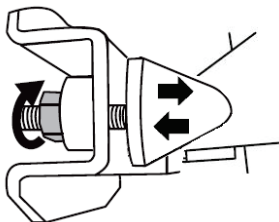
- Using the included 2.5 mm Allen key (4), attach the unit using the attachment screw (3) and the small central screw thread located on the underside of the pedal set.



The "CONICAL RUBBER BRAKE" mod is now installed!

Adjusting the brake pedal's RANGE of travel and STRENGTH of resistance

By slightly unscrewing the nut (5), you can further strengthen the resistance of the brake pedal by moving the conical stop (2) closer to the back of the pedal's arm (if necessary, use a 14 mm wrench or pliers to re-tighten the nut and maintain the selected position). The closer the conical stop is positioned to the back of the pedal's arm, the greater the strength of resistance will be.



Note: When the conical stop is very close to the back of the brake pedal's arm, you may experience difficulties in reaching the maximum calibration value. Should that be the case:

- * Slowly, press very hard on the brake pedal so as to reach the maximum value (if necessary, stand very briefly on the pedal – just for a second), then release the pressure; or else
- * Move the conical stop a bit farther away from the back of the brake pedal's arm.

CONSUMER WARRANTY INFORMATION

Worldwide, Guillemot Corporation S.A., whose registered office is located at Place du Granier, B.P. 97143, 35571 Chantepie, France (hereinafter "Guillemot") warrants to the consumer that this Thrustmaster product shall be free from defects in materials and workmanship, for a warranty period which corresponds to the time limit to bring an action for conformity with respect to this product. In the countries of the European Union, this corresponds to a period of two (2) years from delivery of the Thrustmaster product. In other countries, the warranty period corresponds to the time limit to bring an action for conformity with respect to the Thrustmaster product according to applicable laws of the country in which the consumer was domiciled on the date of purchase of the Thrustmaster product (if no such action exists in the corresponding country, then the warranty period shall be one (1) year from the original date of purchase of the Thrustmaster product).

Notwithstanding the above, rechargeable batteries are covered by a warranty period of six (6) months from the date of original purchase.

Should the product appear to be defective during the warranty period, immediately contact Technical Support, who will indicate the procedure to follow. If the defect is confirmed, the product must be returned to its place of purchase (or any other location indicated by Technical Support).

Within the context of this warranty, the consumer's defective product shall, at Technical Support's option, be either replaced or returned to working order. If, during the warranty period, the Thrustmaster product is subject to such reconditioning, any period of at least seven (7) days during which the product is out of use shall be added to the remaining warranty period (this period runs from the date of the consumer's request for intervention or from the date on which the product in question is made available for reconditioning, if the date on which the product is made available for reconditioning is subsequent to the date of the request for intervention). If permitted under applicable law, the full liability of Guillemot and its subsidiaries (including for consequential damages) is limited to the return to working order or the replacement of the Thrustmaster product. If permitted under applicable law, Guillemot disclaims all warranties of merchantability or fitness for a particular purpose.

This warranty shall not apply: (1) if the product has been modified, opened, altered, or has suffered damage as a result of inappropriate or abusive use, negligence, an accident, normal wear, or any other cause unrelated to a material or manufacturing defect (including, but not limited to, combining the Thrustmaster product with any unsuitable element, including in particular power supplies, rechargeable batteries, chargers, or any other elements not supplied by Guillemot for this product); (2) if the product has been used for any use other than home use, including for professional or commercial purposes (game rooms, training, competitions, for example); (3) in the event of failure to comply with the instructions provided by Technical Support; (4) to software, said software being subject to a specific warranty; (5) to consumables (elements to be replaced over the product's lifespan: disposable batteries, audio headset or headphone ear pads, for example); (6) to accessories (cables, cases, pouches, bags, wrist-straps, for example); (7) if the product was sold at public auction.

This warranty is nontransferable.

The consumer's legal rights with respect to laws applicable to the sale of consumer goods in his or her country are not affected by this warranty.

Additional warranty provisions

During the warranty period, Guillemot shall not provide, in principle, any spare parts, as Technical Support is the only party authorized to open and/or recondition any Thrustmaster product (with the exception of any reconditioning procedures which Technical Support may request that the consumer carry out, by way of written instructions – for example, due to the simplicity and the lack of confidentiality of the reconditioning process – and by providing the consumer with the required spare part(s), where applicable).

Given its innovation cycles and in order to protect its know-how and trade secrets, Guillemot shall not provide, in principle, any reconditioning notification or spare parts for any Thrustmaster product whose warranty period has expired.

In the United States of America and in Canada, this warranty is limited to the product's internal mechanism and external housing. In no event shall Guillemot or its affiliates be held liable to any third party for any consequential or incidental damages resulting from the breach of any express or implied warranties. Some States/Provinces do not allow limitation on how long an implied warranty lasts or exclusion or limitation of liability for consequential or incidental damages, so the above limitations or exclusions may not apply to you. This warranty gives you specific legal rights, and you may also have other rights which vary from State to State or Province to Province.

Liability

If permitted under applicable law, Guillemot Corporation S.A. (hereinafter "Guillemot") and its subsidiaries disclaim all liability for any damages caused by one or more of the following: (1) the product has been modified, opened or altered; (2) failure to comply with assembly instructions; (3) inappropriate or abusive use, negligence, an accident (an impact, for example); (4) normal wear; (5) the use of the product for any use other than home use, including for professional or commercial purposes (game rooms, training, competitions, for example). If permitted under applicable law, Guillemot and its subsidiaries disclaim all liability for any damages unrelated to a material or manufacturing defect with respect to the product (including, but not limited to, any damages caused directly or indirectly by any software, or by combining the Thrustmaster product with any unsuitable element, including in particular power supplies, rechargeable batteries, chargers, or any other elements not supplied by Guillemot for this product).

THRUSTMASTER®

TECHNICAL SUPPORT

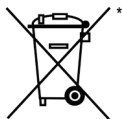
<http://support.thrustmaster.com>



COPYRIGHT

© 2016 Guillemot Corporation S.A. All rights reserved. Thrustmaster® is a registered trademark of Guillemot Corporation S.A. All other trademarks are the property of their respective owners. Illustrations not binding. Contents, designs and specifications are subject to change without notice and may vary from one country to another. Made in China.

ENVIRONMENTAL PROTECTION RECOMMENDATION



In the European Union: At the end of its working life, this product should not be disposed of with standard household waste, but rather dropped off at a collection point for the disposal of Waste Electrical and Electronic Equipment (WEEE) for recycling.

This is confirmed by the symbol found on the product, user manual or packaging. Depending on their characteristics, the materials may be recycled. Through recycling and other forms of processing Waste Electrical and Electronic Equipment, you can make a significant contribution towards helping to protect the

environment.

Please contact your local authorities for information on the collection point nearest you.

For all other countries: Please adhere to local recycling laws for electrical and electronic equipment.

Retain this information. Colours and decorations may vary.

Plastic fasteners and adhesives should be removed from the product before it is used.

www.thrustmaster.com

**Applicable to EU and Turkey only*

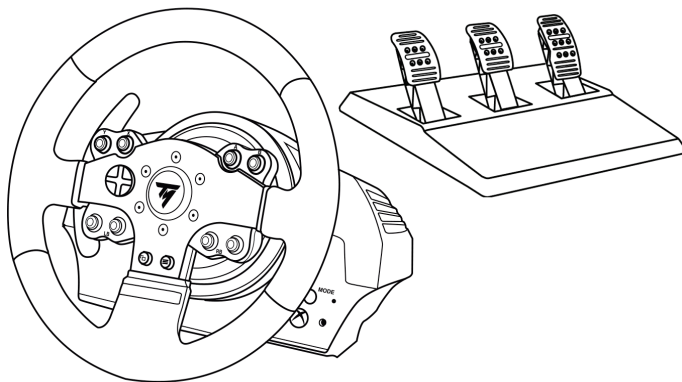


TMX PRO

FORCE FEEDBACK

POUR XBOX ONE ET PC

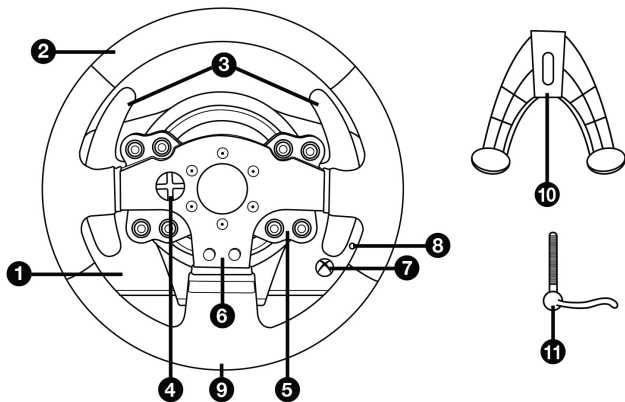
Manuel de l'utilisateur



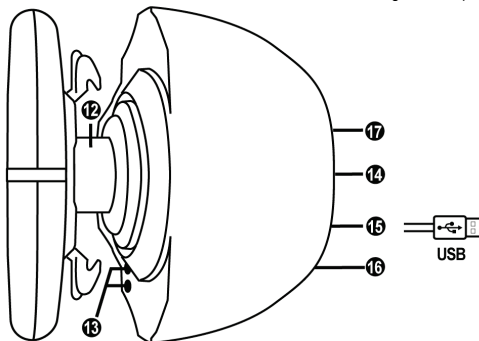
ATTENTION :

Pour que le volant TMX fonctionne correctement avec les jeux Xbox One ou PC, il peut être nécessaire d'installer les mises à jour automatiques de ces jeux (*disponibles lorsque votre console ou votre PC est connectée à Internet*).

CARACTÉRISTIQUES TECHNIQUES



- | | |
|---|--|
| <ul style="list-style-type: none"> 1 Base TMX 2 Roue du volant 3 2 leviers séquentiels de changement de vitesse (up & down) 4 Croix multidirectionnelle 5 Boutons d'action 6 Boutons d'action | <ul style="list-style-type: none"> 7 Bouton Xbox Guide et voyant lumineux blanc 8 Bouton MODE + Voyant lumineux rouge/vert 9 Gros pas de vis (pour le système de fixation et la vis de serrage) 10 Système de fixation 11 Vis de serrage métallique |
|---|--|



- | | |
|--|---|
| <ul style="list-style-type: none"> 12 Axe de direction 13 Bouton Xbox Guide et voyant lumineux blanc 14 Câble secteur ou Connecteur pour l'adaptateur secteur (diffère d'un pays à l'autre) | <ul style="list-style-type: none"> 15 Câble et connecteur USB du volant 16 Connecteur pour la boîte de vitesses (boîte de vitesses vendue séparément) 17 Connecteur pour le pédalier |
|--|---|

AVERTISSEMENTS

Avant d'utiliser ce produit, lisez attentivement cette documentation et conservez-la pour pouvoir la consulter ultérieurement.



Avertissement – Choc électrique

- * Conservez le produit dans un endroit sec et ne l'exposez ni à la poussière ni au soleil.
- * Ne tordez pas et ne tirez pas sur les connecteurs et câbles.
- * Ne renversez pas de liquide sur le produit et ses connecteurs.
- * Ne mettez pas le produit en court-circuit.
- * Ne démontez jamais le produit, ne le jetez pas au feu et ne l'exposez pas à des températures élevées.
- * N'utilisez pas de câble d'alimentation autre que celui fourni avec votre volant.
- * N'utilisez pas le câble d'alimentation secteur si celui-ci où ses connecteurs sont endommagés, fendus ou cassés.
- * Assurez-vous que le câble d'alimentation secteur est parfaitement inséré dans la prise murale et dans son connecteur situé à l'arrière de la base du volant.
- * N'ouvrez pas l'appareil. L'appareil ne contient pas de pièces réparables par l'utilisateur. Confiez toute réparation au fabricant, à une agence spécifiée ou un technicien qualifié.
- * Utilisez uniquement les systèmes de fixation /accessoires spécifiés par le fabricant.
- * Si le volant fonctionne de manière anormale (s'il émet des sons, de la chaleur ou des odeurs anormales), arrêtez immédiatement de l'utiliser, débranchez le câble d'alimentation de la prise électrique et déconnectez les autres câbles.
- * Lorsque vous n'utilisez pas le volant pendant une période prolongée, débranchez le câble d'alimentation secteur de la prise électrique.
- * Utilisez uniquement l'alimentation fournie avec le volant (s'il s'agit d'une alimentation externe).
- * La prise électrique doit être située à proximité de l'équipement et doit être facilement accessible.



Grilles d'aération

Veillez à n'obstruer aucune grille d'aération de la base du volant. Pour assurer une ventilation optimale, respectez les points ci-après :

- * Placez la base à 10 cm au moins d'une surface murale.
- * Ne placez pas la base dans un endroit exigu.
- * Ne couvrez pas la base.
- * Ne laissez pas la poussière s'accumuler sur les grilles d'aération.



Pour des raisons de sécurité, ne jouez pas pieds nus ou en chaussettes lorsque vous utilisez le pédalier.

THRUSTMASTER® DECLINE TOUTE RESPONSABILITE EN CAS DE BLESSURE SUITE A UNE UTILISATION DU PEDALIER SANS CHAUSSURES.



Avertissement – Blessures dues au retour de force et aux mouvements répétitifs

Jouer avec un volant à retour de force peut causer des douleurs aux muscles et aux articulations. Afin d'éviter tout problème :

- * Evitez les périodes trop longues de jeu.
- * Faites une pause de 10 à 15 minutes après chaque heure de jeu.
- * Si vous éprouvez fatigue ou douleur au niveau des mains, des poignets, des bras, des pieds ou des jambes, cessez de jouer et reposez-vous pendant quelques heures avant de recommencer à jouer.



Avertissement – Blessures dues au retour de force et aux mouvements répétitifs (suite)

* Si les symptômes ou les douleurs indiqués ci-dessus persistent lorsque vous reprenez le jeu, arrêtez de jouer et consultez votre médecin.

* Laissez hors de portée des enfants.

* Lors des phases de jeu, laissez toujours vos deux mains correctement positionnées sur le volant sans jamais le lâcher complètement.

* Lors des phases de jeu, ne placez jamais vos mains ou vos doigts sous les pédales ou à proximité du pédalier.

* Lors des phases de calibration et de jeu, ne jamais introduire une main ou un bras à l'intérieur de la roue du volant.

* Vérifiez que la base du volant est correctement fixée, conformément aux instructions du manuel.

PRODUIT LOURD



Produit à manipuler uniquement par des personnes âgées de 14 ans ou plus



Ne pas laisser tomber le produit sur vous ou une autre personne

TOUJOURS



JAMAIS



JAMAIS



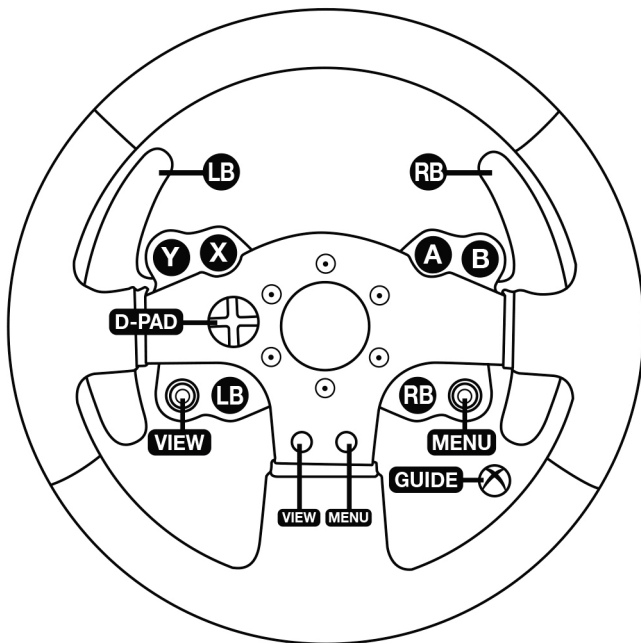
INSTALLATION SUR XBOX ONE

1. Reliez le pédalier à son connecteur (17) situé à l'arrière de la base du volant.
2. Reliez le câble d'alimentation à son connecteur (14) situé à l'arrière de la base du volant.
3. Reliez le câble d'alimentation sur une prise de courant ayant le même voltage.
4. Branchez le connecteur USB (15) du volant sur l'un des ports USB de la console.
5. Une fois votre console allumée, votre volant s'autocalibre de manière automatique.

Vous êtes maintenant prêt à jouer !

- La liste des jeux Xbox One compatibles avec le TMX Force Feedback est disponible ici : <http://support.thrustmaster.com> (dans la rubrique Volants / TMX Force Feedback). Cette liste est régulièrement mise à jour.

MAPPING XBOX ONE



INSTALLATION SUR PC

1. Allez sur <http://support.thrustmaster.com> pour télécharger les pilotes et le logiciel Force Feedback pour PC. Cliquez sur PC / Volants / TMX Force Feedback, puis Pilotes.

2. Une fois le téléchargement terminé, lancez l'installation, puis suivez les instructions affichées à l'écran pour brancher le connecteur USB du volant sur votre PC et pour terminer l'installation.

3. Une fois l'installation terminée, cliquez sur Terminer et redémarrez votre ordinateur.

4. Sélectionnez Démarrer / Tous les programmes / Thrustmaster / FFB Racing Wheel / Panneau de configuration pour ouvrir la fenêtre Contrôleurs de jeu.

La fenêtre Contrôleurs de jeu affiche le nom du volant Thrustmaster TMX Racing Wheel avec l'état OK.

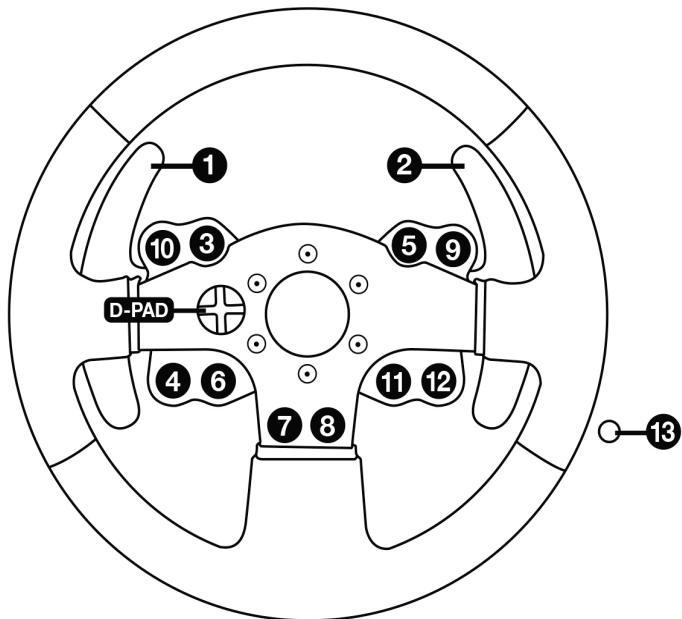
5. Cliquez sur Propriétés pour configurer votre volant dans le panneau de configuration du TMX :

- Onglet Test du périphérique : permet de tester et visualiser les boutons, la croix multidirectionnelle, les axes du volant et du pédalier, et d'ajuster l'angle de rotation du volant dans vos jeux PC.
- Onglet Tester les forces : permet de tester 12 effets de retour de force.
- Onglet Ajuster les forces : permet d'ajuster la puissance des effets de retour de force dans vos jeux PC.

Vous êtes maintenant prêt à jouer !

Remarques générales :

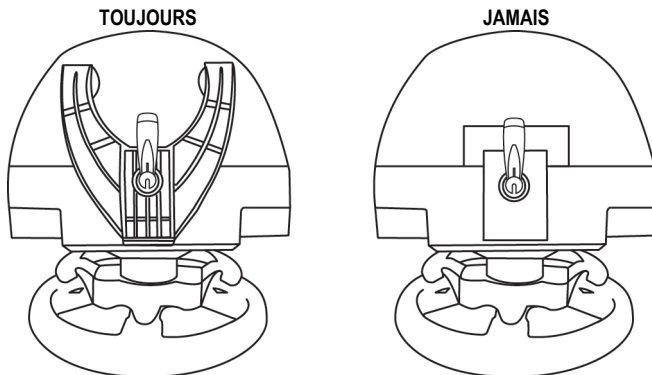
- Sur PC, pensez à toujours fermer complètement la fenêtre Contrôleurs de jeu en cliquant sur OK avant de lancer votre jeu.
- Sur PC, les réglages et ajustements effectués dans la fenêtre Contrôleurs de jeu ne seront sauvegardés que sur votre PC (et n'auront donc aucune incidence sur Xbox One).
- La version du firmware de votre volant apparaît en haut à droite dans les onglets du panneau de configuration TMX Force Feedback.



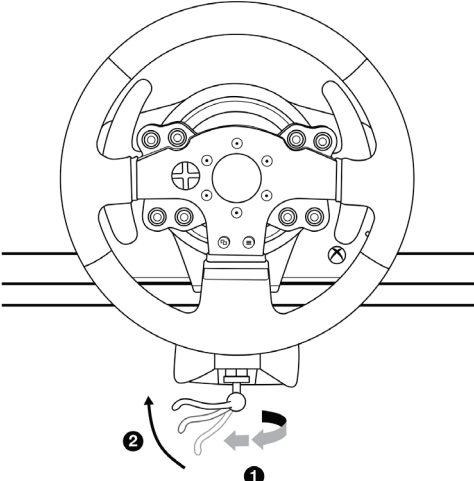
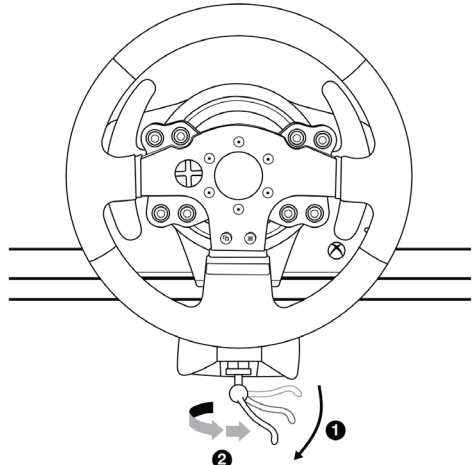
FIXATION DU VOLANT

Fixer le volant sur une table ou un bureau

1. Placez le volant sur une table ou autre surface plane.
2. Placez la vis de serrage (11) dans le système de fixation (10), puis vissez l'ensemble (dans le sens inverse des aiguilles d'une montre) dans le gros pas de vis (9) situé sous le volant, jusqu'à ce que ce dernier soit parfaitement stable.



ATTENTION : Ne jamais visser la vis de serrage seule sans le système de fixation !
(au risque de détériorer le volant).

MONTAGE / DEMONTAGE	SENS
<p><u>Pour serrer :</u></p> <p><i>Vissez dans le sens inverse des aiguilles d'une montre</i></p>	
<p><u>Pour desserrer :</u></p> <p><i>Dévissez dans le sens des aiguilles d'une montre</i></p>	

CALIBRAGE AUTOMATIQUE DU VOLANT

La roue du volant s'autocalibre de manière automatique une fois le volant relié au secteur et le connecteur USB connecté à la console Xbox One.

Cette opération entraîne des mouvements rapides du volant de gauche à droite sur 900° avant de s'immobiliser au centre.

ATTENTION : Lors des phases d'autocalibration de la roue du volant, ne jamais toucher au volant (au risque de fausser la calibration ou de se blesser).

BOUTON MODE ET SON VOYANT LUMINEUX (8)

Bouton MODE pour le pédalier

Vous pouvez inverser électroniquement la pédale d'accélérateur et d'embrayage.

Pour ce faire, appuyez simplement sur le bouton MODE (8) pendant 2 secondes.

L'inversion ou non des pédales est alors instantanément enregistrée dans la mémoire interne du volant.

PEDALE D'ACCELERATEUR ET D'EMBRAYAGE	Couleur du voyant lumineux MODE (8)
NORMALE	ROUGE
INVERSEE	VERT



ATTENTION :

Avec le pédalier T3PA inclus, la couleur du voyant lumineux doit toujours être rouge !
(sinon la pédale d'accélérateur ne fonctionnera pas).

Autres astuces pour le bouton MODE

Pour profiter d'autres astuces concernant le bouton MODE et son voyant lumineux, allez sur <http://support.thrustmaster.com>. Cliquez sur **Volants / TMX Force Feedback**, puis **Manuel utilisateur** ou **FAQ**.

METTRE A JOUR LE FIRMWARE DU VOLANT

Le firmware inclus dans la base du volant peut être mis à jour (ce qui signifie qu'il peut être mis à jour par des versions plus récentes comportant des améliorations produits).

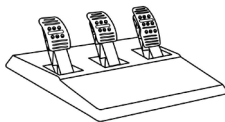
Pour afficher la version de firmware de votre volant et le mettre à jour si nécessaire : sur PC, allez sur <http://support.thrustmaster.com>. Cliquez sur **Volants / TMX Force Feedback** puis **Firmware** et suivez les instructions et la procédure de téléchargement et d'installation.

AIDES & FAQ DIVERSES (non notifiées dans ce manuel)

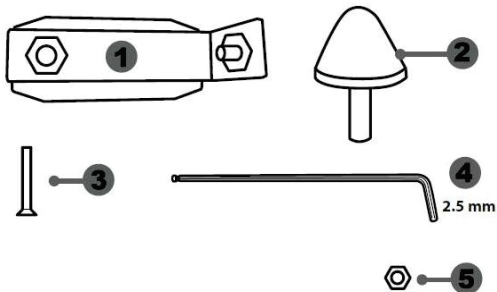
Allez sur <http://support.thrustmaster.com>. Cliquez sur **Volants / TMX Force Feedback** puis **Manuel utilisateur** ou **FAQ**.

Si votre volant et vos pédales ne fonctionnent pas correctement ou semblent mal calibrés :

Eteignez votre console ou votre PC, déconnectez entièrement votre volant, reconnectez tous les câbles (avec le câble d'alimentation secteur et le pédalier), redémarrez et relancez votre jeu.



CARACTERISTIQUES TECHNIQUES



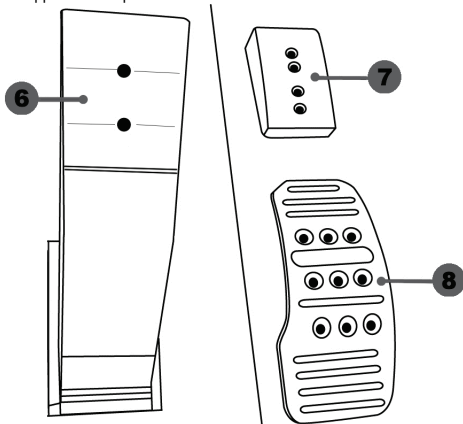
1 Support métallique pour la butée conique
(non installée par défaut)

2 Butée conique

3 Vis de fixation du support métallique

4 Clé Allen 2,5 mm fournie

5 Ecrou de réglage de position de la butée conique



6 Bras de pédale

7 Support de tête plastique

8 Tête métallique de pédale

AVERTISSEMENT

Avant d'utiliser ce produit, lisez attentivement cette documentation et conservez-la pour pouvoir la consulter ultérieurement.



Pour des raisons de sécurité, ne jouez pas pieds nus ou en chaussettes lorsque vous utilisez le pédalier.

THRUSTMASTER® DECLINE TOUTE RESPONSABILITE EN CAS DE BLESSURE SUITE A UNE UTILISATION DU PEDALIER SANS CHAUSSURES.



Avertissement – Risque de pincement au niveau du pédalier lors des phases de jeu

- * Laissez le pédalier hors de portée des enfants.
- * Lors des phases de jeu, ne placez jamais vos doigts sur ou à proximité des côtés des pédales.
- * Lors des phases de jeu, ne placez jamais vos doigts sur ou à proximité de la base arrière des pédales.
- * Lors des phases de jeu, ne placez jamais vos doigts sur ou à proximité de la base avant des pédales.

JAMAIS



JAMAIS



JAMAIS





IMPORTANT :

- Ne branchez ou débranchez jamais le pédalier de la base du volant lorsque celui-ci est connecté à la console ou au PC, ou en cours de jeu, pour ne pas fausser la calibration.
- = Branchez toujours le pédalier avant de relier le volant à la console ou au PC.

- Une fois le volant autocalibré et le jeu lancé, les pédales se calibrent automatiquement après quelques pressions.

- Lors des phases d'autocalibration de la roue du volant et lorsque votre jeu se lance, n'appuyez jamais sur les pédales, au risque de fausser la calibration.

- Si vos pédales ne fonctionnent pas correctement ou semblent mal calibrées, éteignez votre console, déconnectez entièrement votre volant, reconnectez tous les câbles (y compris le câble d'alimentation secteur et le câble du pédalier), redémarrez la console et relancez votre jeu.

FIXATION DU PEDALIER SUR UN COCKPIT

- Fixez le pédalier via les petits pas de vis situés sous ce dernier.
- Vissez 2 vis M6 (non fournies) dans la tablette du cockpit et dans les 2 petits pas de vis situés sous le pédalier.

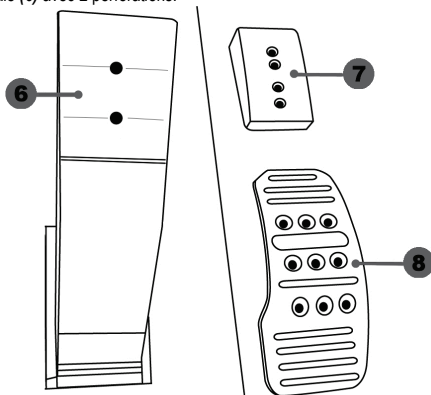
Important : La longueur de ces 2 vis M6 ne doit pas dépasser l'épaisseur de votre support +10 mm pour ne pas endommager les composants internes du pédalier.

Plan d'implantation pour les cockpits disponible sur <http://support.thrustmaster.com>, (dans la rubrique Volants / TMX Force Feedback / Manuel utilisateur ou FAQ)

REGLAGES DU PEDALIER

Chacune des 3 pédales comprend :

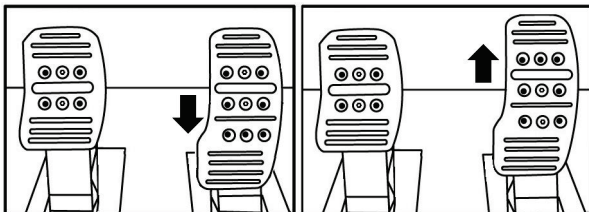
- Une tête métallique (8) avec plusieurs perforations (9 pour l'accélérateur – 6 pour le frein – 6 pour l'embrayage).
- Un support de tête plastique (7) (placé entre la tête et le bras) avec 4 perforations.
- Un bras de pédale (6) avec 2 perforations.



ATTENTION : Pour éviter tout problème de calibration, débranchez toujours le câble USB de votre volant avant d'effectuer des réglages sur votre pédalier.

Ajuster la HAUTEUR de la pédale d'accélérateur

- A l'aide de la clé Allen 2,5 mm fournie (4), dévissez les 2 vis maintenant la tête métallique (8) et son support (7).
- Choisissez ensuite votre position en hauteur, puis revissez le tout.



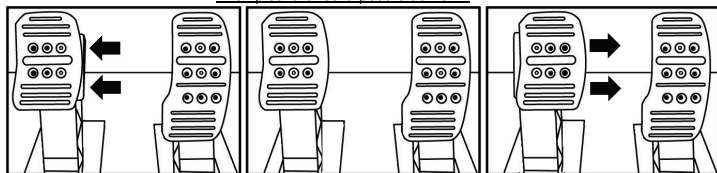
Position basse (par défaut)

Position haute

Ajuster l'ECARTEMENT des 3 pédales

- A l'aide de la clé Allen 2,5 mm fournie (4), dévissez les 2 vis maintenant la tête métallique (8) et son support (7).
- Choisissez ensuite votre position (à gauche, au centre ou à droite), puis revissez le tout.

Exemples ici avec la pédale de frein :



Position à gauche

Position au centre (par défaut)

Position à droite

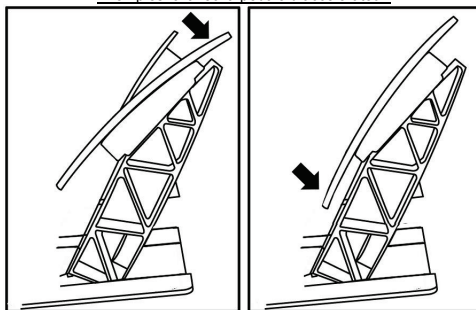
Nombre de positions en écartement possibles par pédale :

- 3 pour la pédale d'accélérateur
- 3 pour la pédale de frein
- 3 pour la pédale d'embrayage

Ajuster l'INCLINAISON des pédales

- A l'aide de la clé Allen 2,5 mm fournie (4), dévissez les 2 vis maintenant la tête métallique (8) et son support (7).
- Retournez ensuite le support de tête plastique (7) de 180°, puis revissez le tout.

Exemples ici avec la pédale d'accélérateur :



Position moins inclinée

Position plus inclinée (par défaut)

Nombre de positions d'inclinaison possibles par pédale :

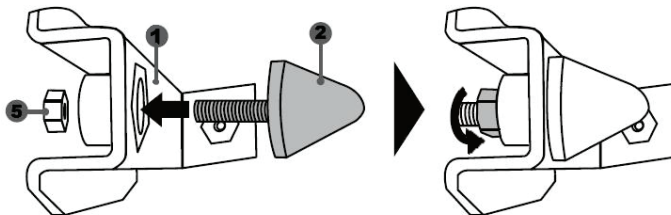
- 2 pour la pédale d'accélérateur
- 2 pour la pédale de frein
- 2 pour la pédale d'embrayage

Installer la butée conique (MOD « CONICAL RUBBER BRAKE »)

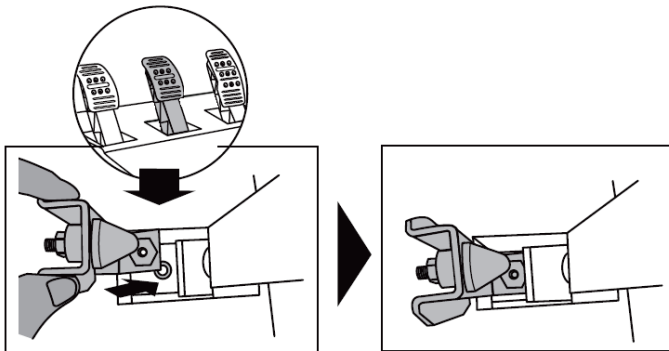
Ce MOD n'est pas obligatoire et n'est pas installé par défaut. Cela signifie que la pédale de frein fonctionne parfaitement même si le MOD n'est pas installé.

Ce MOD permet d'apporter un feeling et une résistance différents lors des freinages. Il appartient à chacun de l'installer ou non en fonction de ses préférences.

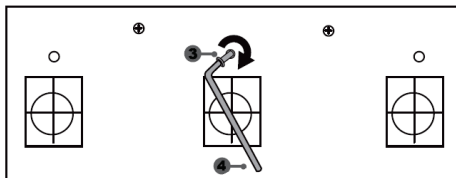
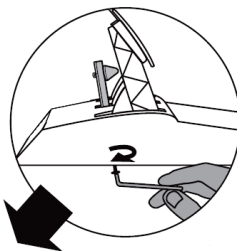
- Vissez la butée conique (2) sur son support métallique (1).
- Vissez l'écrou de réglage de position (5) à l'arrière (sur le pas de vis de la butée conique).



- Positionnez l'ensemble à l'arrière du bras de la pédale de frein.



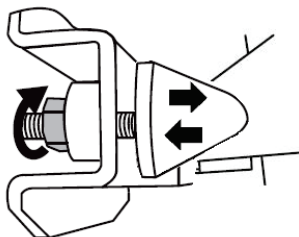
- A l'aide de la clé Allen 2,5 mm fournie (4), fixez l'ensemble en utilisant la vis de fixation (3) et le petit pas de vis central situé sous le pédalier.



Le MOD « CONICAL RUBBER BRAKE » est désormais installé !

Ajuster la COURSE de débattement et la FORCE de résistance de la pédale de frein

En dévissant légèrement l'écrou (5), vous pouvez également durcir davantage la résistance de la pédale de frein en rapprochant la butée conique (2) de l'arrière du bras de la pédale (utilisez si nécessaire une clé de 14 ou une pince pour resserrer l'écrou et maintenir la position souhaitée). Plus la butée conique sera proche de l'arrière du bras de la pédale, plus la résistance sera élevée.



Remarque : Lorsque la butée conique est très proche de l'arrière du bras de la pédale de frein, vous pouvez avoir des difficultés à atteindre la valeur maximale de calibration. Dans ce cas :

- * Appuyez –lentement– très fortement sur la pédale de frein pour atteindre la valeur maximale (si nécessaire, mettez-vous debout un court instant sur la pédale), puis relâchez la pression.
- * Ou éloignez légèrement la butée conique de l'arrière du bras.

INFORMATIONS RELATIVES A LA GARANTIE AUX CONSOMMATEURS

Dans le monde entier, Guillemot Corporation S.A., ayant son siège social Place du Granier, B.P. 97143, 35571 Chantepie, France (ci-après « Guillemot ») garantit au consommateur que le présent produit Thrustmaster est exempt de défaut matériel et de vice de fabrication, et ce, pour une période de garantie qui correspond au délai pour intenter une action en conformité de ce produit. Dans les pays de l'Union Européenne, ce délai est de deux (2) ans à compter de la délivrance du produit Thrustmaster. Dans les autres pays, la durée de la période de garantie correspond au délai pour intenter une action en conformité du produit Thrustmaster selon la législation en vigueur dans le pays où le consommateur avait son domicile lors de l'achat du produit Thrustmaster (si une telle action en conformité n'existe pas dans ce pays alors la période de garantie est de un (1) an à compter de la date d'achat d'origine du produit Thrustmaster).

Si, au cours de la période de garantie, le produit semble défectueux, contactez immédiatement le Support Technique qui vous indiquera la procédure à suivre. Si le défaut est confirmé, le produit devra être retourné à son lieu d'achat (ou tout autre lieu indiqué par le Support Technique).

Dans le cadre de la garantie, le consommateur bénéficiera, au choix du Support Technique, d'un remplacement ou d'une remise en état de marche du produit défectueux. Si, pendant la période de garantie, le produit Thrustmaster fait l'objet d'une telle remise en état, toute période d'immobilisation d'au moins sept jours vient s'ajouter à la durée de la garantie qui restait à courir (cette période court à compter de la demande d'intervention du consommateur ou de la mise à disposition pour remise en état du produit en cause, si cette mise à disposition est postérieure à la demande d'intervention). Lorsque la loi applicable l'autorise, toute responsabilité de Guillemot et ses filiales (y compris pour les dommages indirects) se limite à la remise en état de marche ou au remplacement du produit Thrustmaster. Lorsque la loi applicable l'autorise, Guillemot exclut toutes garanties de qualité marchande ou d'adaptation à un usage particulier.

Cette garantie ne s'appliquera pas : (1) si le produit a été modifié, ouvert, altéré, ou a subi des dommages résultant d'une utilisation inappropriée ou abusive, d'une négligence, d'un accident, de l'usure normale, ou de toute autre cause non liée à un défaut matériel ou à un vice de fabrication (y compris, mais non limitativement, une combinaison du produit Thrustmaster avec tout élément inadapté, notamment alimentations électriques, batteries, chargeurs, ou tous autres éléments non-fournis par Guillemot pour ce produit) ; (2) si le produit a été utilisé en dehors du cadre privé, à des fins professionnelles ou commerciales (salles de jeu, formations, compétitions, par exemple). (3) en cas de non respect des instructions du Support Technique ; (4) aux logiciels, lesdits logiciels faisant l'objet d'une garantie spécifique ; (5) aux consommables (éléments à remplacer pendant la durée de vie du produit : piles, coussinets de casque audio, par exemple) ; (6) aux accessoires (câbles, étuis, housses, sacs, dragones, par exemple) ; (7) si le produit a été vendu aux enchères publiques.

Cette garantie n'est pas transférable.

Les droits légaux du consommateur au titre de la législation applicable dans son pays à la vente de biens de consommation ne sont pas affectés par la présente garantie.

Par exemple, en France, indépendamment de la présente garantie, le vendeur reste tenu de la garantie légale de conformité mentionnée aux articles L. 211-4 à L. 211-13 du code de la consommation et de celle relative aux défauts (vices cachés) de la chose vendue, dans les conditions prévues aux articles 1641 à 1648 et 2232 du code civil. La loi applicable (c'est-à-dire la loi française) impose de reproduire les extraits de la loi française suivants :

Article L. 211-4 du code de la consommation :

Le vendeur est tenu de livrer un bien conforme au contrat et répond des défauts de conformité existant lors de la délivrance.

Il répond également des défauts de conformité résultant de l'emballage, des instructions de montage ou de l'installation lorsque celle-ci a été mise à sa charge par le contrat ou a été réalisée sous sa responsabilité.

Article L. 211-5 du code de la consommation :

Pour être conforme au contrat, le bien doit :

1° Etre propre à l'usage habituellement attendu d'un bien semblable et, le cas échéant :

- correspondre à la description donnée par le vendeur et posséder les qualités que celui-ci a présentées à l'acheteur sous forme d'échantillon ou de modèle ;
- présenter les qualités qu'un acheteur peut légitimement attendre eu égard aux déclarations publiques faites par le vendeur, par le producteur ou par son représentant, notamment dans la publicité ou l'étiquetage ;

2° Ou présenter les caractéristiques définies d'un commun accord par les parties ou être propre à tout usage spécial recherché par l'acheteur, porté à la connaissance du vendeur et que ce dernier a accepté.

Article L. 211-12 du code de la consommation:

L'action résultant du défaut de conformité se prescrit par deux ans à compter de la délivrance du bien.

Article L. 1641 du code civil:

Le vendeur est tenu de la garantie à raison des défauts cachés de la chose vendue qui la rendent impropre à l'usage auquel on la destine, ou qui diminuent tellement cet usage que l'acheteur ne l'aurait pas acquise, ou n'en aurait donné qu'un moindre prix, s'il les avait connus.

Article L. 1648 alinéa 1er du code civil:

L'action résultant des vices rédhibitoires doit être intentée par l'acquéreur dans un délai de deux ans à compter de la découverte du vice.

Stipulations additionnelles à la garantie

Pendant la période de garantie, Guillemot ne fournira, en principe, pas de pièce détachée car le Support Technique est seul habilité tant à ouvrir qu'à remettre en état tout produit Thrustmaster (à l'exception des remises en état que le Support Technique demanderait, par instructions écrites, au consommateur d'effectuer -par exemple en raison de la simplicité et de l'absence de confidentialité du processus de remise en état-, en lui fournissant, le cas échéant, la ou les pièces détachées nécessaires).

Compte tenu de ses cycles d'innovation et pour préserver ses savoir-faire et secrets, Guillemot ne fournira, en principe, ni notice de remise en état, ni pièce détachée pour tout produit Thrustmaster dont la période de garantie est expirée.

Aux États-Unis d'Amérique et au Canada, la présente garantie est limitée au mécanisme interne et au boîtier externe du produit. En aucun cas, Guillemot ou ses sociétés affiliées ne sauraient être tenues responsables envers qui que ce soit de tous dommages indirects ou dommages accessoires résultant du non respect des garanties expresses ou implicites. Certains États/Provinces n'autorisent pas la limitation sur la durée d'une garantie implicite, ou l'exclusion ou la limitation de responsabilité pour les dommages indirects ou accessoires, de sorte que les limitations ou exclusions ci-dessus peuvent ne pas vous être applicables. Cette garantie vous confère des droits spécifiques ; vous pouvez également bénéficier d'autres droits qui peuvent différer d'un État/Province à l'autre.

Responsabilité

Lorsque la loi applicable l'autorise, Guillemot Corporation S.A. (ci-après « Guillemot ») et ses filiales excluent toute responsabilité pour tous dommages causés par un ou plusieurs des faits suivants: (1) le produit a été modifié, ouvert, altéré, (2) l'irrespect des instructions de montage, (3) l'utilisation inappropriée ou abusive, la négligence, l'accident (un choc, par exemple), (4) l'usure normale du produit, (5) l'utilisation du produit en dehors du cadre privé, à des fins professionnelles ou commerciales (salles de jeu, formations, compétitions, par exemple). Lorsque la loi applicable l'autorise, Guillemot et ses filiales excluent toute responsabilité pour tout dommage dont la cause n'est pas liée à un défaut matériel ou à un vice de fabrication du produit (y compris, mais non limitativement, tout dommage causé directement ou indirectement par tout logiciel, ou par une combinaison du produit Thrustmaster avec tout élément inadapté, notamment alimentations électriques, batteries, chargeurs, ou tous autres éléments non-fournis par Guillemot pour ce produit).

THRUSTMASTER®

SUPPORT TECHNIQUE

<http://support.thrustmaster.com>



COPYRIGHT

© 2016 Guillemot Corporation S.A. Tous droits réservés. Thrustmaster® est une marque déposée de Guillemot Corporation S.A. Toutes les autres marques sont la propriété de leurs propriétaires respectifs. Illustrations non contractuelles. Le contenu, la conception et les spécifications sont susceptibles de changer sans préavis et de varier selon les pays. Fabriqué en Chine.

RECOMMANDATION RELATIVE A LA PROTECTION DE L'ENVIRONNEMENT



* Dans l'Union Européenne : En fin de vie, ce produit ne doit pas être éliminé avec les déchets ménagers normaux mais déposé à un point de collecte des déchets d'équipements électriques et électroniques en vue de son recyclage.

Ceci est confirmé par le symbole figurant sur le produit, le manuel utilisateur ou l'emballage.

En fonction de leurs caractéristiques, les matériaux peuvent être recyclés. Par le recyclage et par les autres formes de valorisation des déchets d'équipements électriques et électroniques, vous contribuez de manière significative à la protection de l'environnement. Veuillez consulter les autorités locales qui vous indiqueront le point de collecte concerné.

Dans les autres pays : Veuillez vous reporter aux législations locales relatives au recyclage des équipements électriques et électroniques.

Informations à conserver. Les couleurs et décorations peuvent varier.

Il est recommandé de retirer les attaches en plastique et les adhésifs avant d'utiliser le produit.

www.thrustmaster.com

**Applicable à l'UE et la Turquie uniquement*

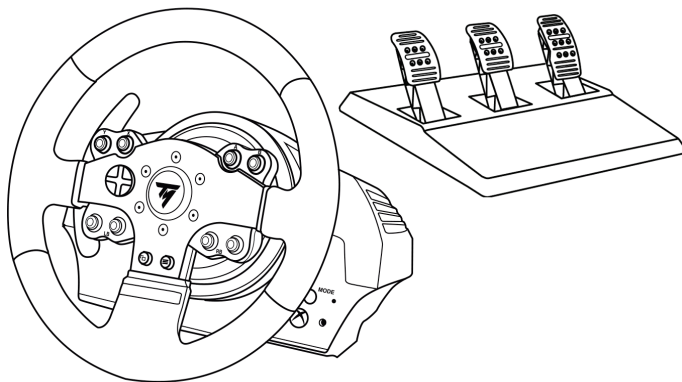


TMX PRO

FORCE FEEDBACK

FÜR XBOX ONE UND PC

Benutzerhandbuch

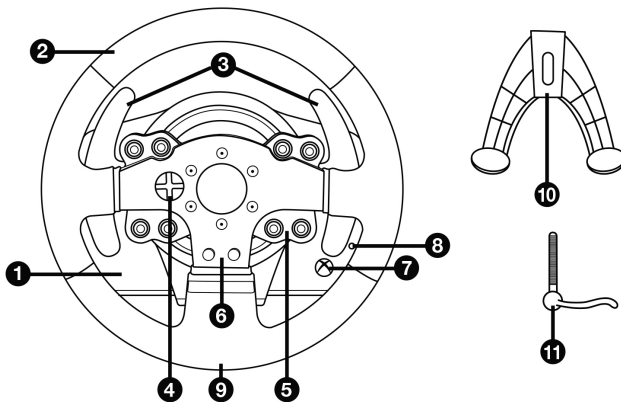


ACHTUNG!

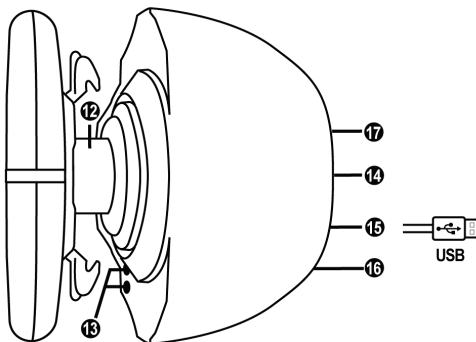
Um sicher zu stellen, daß Ihr TMX Rennlenkrad mit Spielen für Xbox One oder PC korrekt funktioniert, ist es eventuell erforderlich die automatischen Aktualisierungen für das Spiel zu installieren.

(verfügbar, wenn Ihre Konsole oder Ihr PC mit dem Internet verbunden ist.)

TECHNISCHE SPEZIFIKATIONEN



- | | | | |
|---|---|----|---|
| 1 | TMX Basis | 7 | Xbox Guide Button + Weiße Leuchtanzeige |
| 2 | Lenkkranz | 8 | MODE Button + Rot/Grün Leuchtanzeige |
| 3 | 2 sequenzielle Schaltwippen (Hoch & Runter) | 9 | Großes Schraubgewinde (für Befestigungs-System und Feststellschraube) |
| 4 | Multidirektionales D-Pad | 10 | Befestigungssystem |
| 5 | Actionbuttons | 11 | Metallene Feststellschraube |
| 6 | Actionbuttons | | |



- | | | | |
|----|--|----|--|
| 12 | Steuerachse | 15 | USB-Kabel und Stecker des Rennlenkads |
| 13 | Xbox Guide Button + Weiße Leuchtanzeige | 16 | Getriebe-Anschluss
(Getriebe wird separat erhältlich) |
| 14 | Netzkabel
oder Stromanschluss
(Von Land zu Land unterschiedlich) | 17 | Pedalset-Anschluss |

WARNHINWEISE

Bevor Sie dieses Produkt benutzen, lesen Sie bitte diese Dokumentation sorgfältig durch und bewahren Sie diese sicher auf, falls Sie später etwas nachlesen müssen.



Warnung – elektrischer Schlag

- * Lagern Sie das Produkt an einem trockenen Ort und setzen Sie es weder Staub noch direktem Sonnenlicht aus.
- * Verdrehen Sie keine Kabel oder ziehen direkt an deren Steckern.
- * Schütten Sie keine Flüssigkeiten auf das Produkt oder dessen Anschlüsse.
- * Schließen Sie das Produkt nicht kurz.
- * Zerlegen Sie das Produkt niemals, werfen es ins Feuer oder setzen es hohen Temperaturen aus.
- * Nutzen Sie kein anderes Stromkabel als das mitgelieferte.
- * Nutzen Sie das Stromkabel nicht, wenn dieses oder dessen Stecker brüchig oder beschädigt ist.
- * Stellen Sie sicher, daß das Netzkabel richtig in die Steckdose gesteckt wurde und korrekt mit dem rückwärtigen Anschluss an der Rennlenkadbasis verbunden ist.
- * Öffnen Sie niemals das Rennlenkad. Es befinden sich keine vom Benutzer austauschbaren Teile im Inneren. Jedwede Reparaturen müssen von einer vom Hersteller angegebenen Werkstatt oder einem qualifizierten Techniker ausgeführt werden.
- * Nutzen Sie ausschließlich vom Hersteller empfohlene Befestigungssysteme/Accessoires.
- * Falls das Lenkrad sich ungewöhnlich verhält (seltsame Geräusche, Hitze oder Gerüche abgibt), stoppen Sie sofort dessen Benutzung, trennen das Stromkabel vom Netz und ziehen alle anderen Kabel ab.
- * Sollen Sie das Lenkrad für eine längere Zeit nicht benutzen, trennen Sie diesen vom Stromnetz.
- * Verwenden Sie ausschließlich nur das Netzteil, mit dem Ihr Lenkrad ausgestattet wurde (im Falle einer externen Stromversorgung).
- * Die Steckdose sollte sich in der Nähe des Rennlenkrades befinden und leicht zugänglich sein.



Lüftungsschlitze

Achten Sie darauf keine der Lüftungsschlitze an der Lenkradbasis zu verdecken. Für eine optimale Belüftung beachten Sie bitte die folgenden Hinweise:

- * Stellen Sie die Basis mindestens 10 cm entfernt von Wänden auf.
- * Stellen Sie die Basis nicht in engen Zwischenräumen auf.
- * Decken Sie die Basis niemals ab.
- * Vermeiden Sie auf jeden Fall Staubbildung an den Lüftungsschlitzen.



**Benutzen Sie aus Sicherheitsgründen das Pedalset niemals barfuß oder in Socken.
THRUSTMASTER® ÜBERNIMMT KEINERLEI HAFTUNG BEI VERLETZUNGEN DURCH
EINSATZ DES PEDALSETS OHNE SCHUHE.**



Warnung - Verletzungen durch Force Feedback und wiederholte Bewegungen

Spielen mit einem Force-Feedback-Lenkrad kann Muskel- oder Gelenkschmerzen verursachen. Um Probleme zu vermeiden:

- * Vermeiden Sie längere Spielzeiten.
- * Pausieren Sie für 10 bis 15 Minuten nach einer Stunde Spiel.
- * Wenn Sie irgendeine Müdigkeit oder Schmerzen in den Händen, Handgelenken, Armen, Beinen oder Füßen fühlen, unterbrechen Sie das Spiel und ruhen für ein paar Stunden, bevor Sie wieder zu spielen beginnen.



Achtung – Verletzungen durch Force Feedback und wiederholte Bewegungen (Fortsetzung)

- * Wenn Sie wieder zu spielen beginnen und die oben beschriebenen Symptome oder Schmerzen weiterbestehen, unterbrechen Sie das Spiel und konsultieren Sie Ihren Arzt.
- * Außerhalb der Reichweite von Kindern aufbewahren.
- * Lassen Sie immer beide Hände während des Spielens am Lenkrad positioniert, ohne dieses völlig loszulassen.
- * Plazieren Sie Ihre Hände oder Finger während des Spielens niemals unter die Pedale oder in deren Nähe.
- * Stecken Sie weder Ihren Arm noch Ihre Hand während der Kalibrierung oder im Spiel durch die Speichen des Lenkkranses.
- * Überprüfen Sie den festen Sitz der Lenkradbasis entsprechend der Anleitungen dieses Handbuches.

SCHWERES PRODUKT



Produkt nur für den Gebrauch von Personen über 14 Jahre oder älter



Lassen Sie das Produkt niemals auf sich oder andere fallen!

IMMER



NIE



NIE



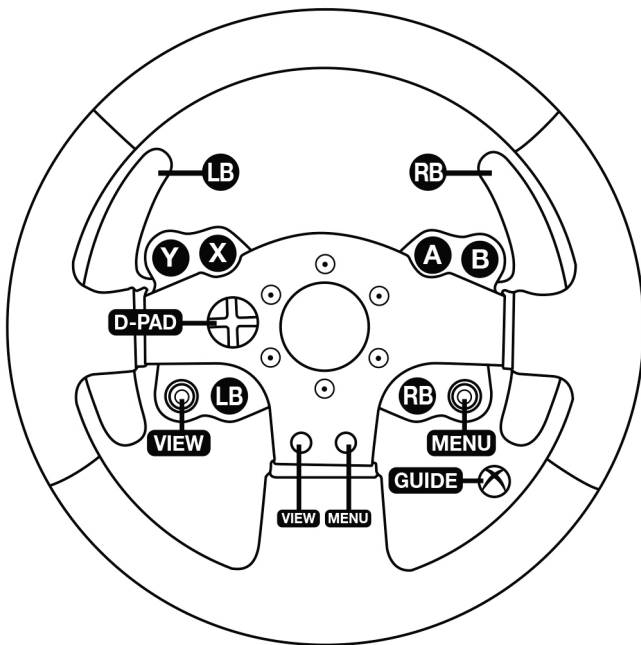
MONTAGE DES RENNLENKADS AN DER XBOX ONE

1. Verbinden Sie das Pedalset mit dem Anschluss (17) auf der Rückseite der Rennlenkadbasis.
2. Verbinden Sie das Netzkabel mit dem Anschluss (14) auf der Rückseite der Rennlenkadbasis.
3. Stecken Sie das Netzkabel in eine Steckdose mit der richtigen Spannung.
4. Stecken Sie den USB-Stecker des Rennlenkads (15) in einen der USB-Anschlüsse an dem System.
5. Nachdem Ihr System eingeschaltet wurde, kalibriert sich Ihr Rennlenkad automatisch selbst.

Sie können nun an den Start gehen und Ihr Rennen bestreiten!

- Eine Liste der mit dem TMX Force Feedback kompatiblen Spiele für Xbox One ist verfügbar auf: <http://support.thrustmaster.com> (in der Sektion Lenkräder / TMX Force Feedback). Diese Liste wird regelmäßig aktualisiert.

MAPPING AUF DER XBOX ONE



EINRICHTEN DES RENNLENKADS FÜR DEN PC

1. Gehen Sie auf <http://support.thrustmaster.com> zum Herunterladen der Treiber und der Force Feedback Software für PC. Dazu klicken Sie auf Lenkräder / TMX Force Feedback und wählen dann Treiber aus.

2. Nach dem Herunterladen starten Sie die Installation und folgen den Anweisungen auf dem Bildschirm, um den USB-Stecker des Lenkrads an einen freien USB-Anschluß des Computers anzuschließen und die Installation zu komplettieren.

3. Nach Beenden der Installation klicken Sie auf Beenden und starten Ihren Computer neu.

4. Wählen Sie Start / Alle Programme / Thrustmaster / FFB Racing Wheel / Control Panel, um das Fenster für den Game-Controller zu öffnen.

In diesem Fenster wird der Name des Rennlenkads – Thrustmaster TMX Racing Wheel – mit einem OK-Status angezeigt.

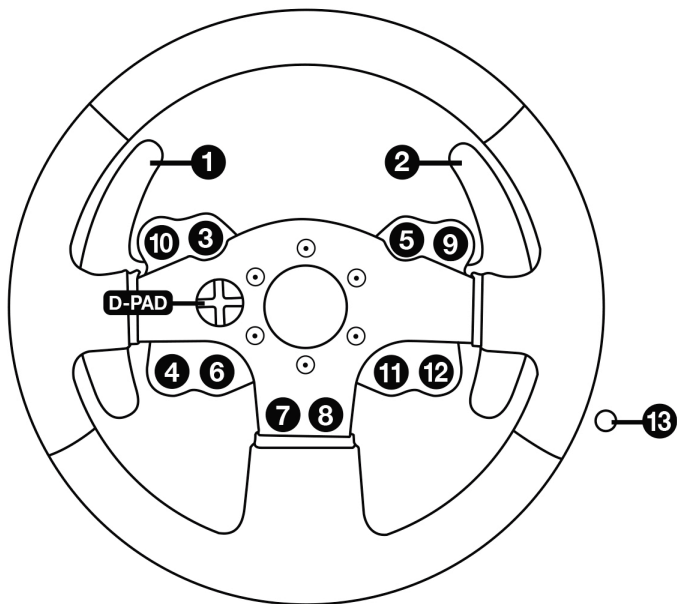
5. Klicken Sie auf Eigenschaften, um Ihr Lenkrad mittels der TMX Steuerkonsole zu konfigurieren:

- Tabulator „Test Eingabe“: Ermöglicht das Testen und Beobachten der Actionbuttons, der Richtungsbuttons, des Lenkrads sowie der Pedalachsen und das Einstellen des Rotationswinkels des Lenkrads bei Ihren PC-Spielen.
- Tabulator „Test Forces“: Ermöglicht das Testen der 12 Force-Feedback-Effekte.
- Tabulator „Verstärkungseinstellungen“: Ermöglicht das Einstellen der Stärke der Force-Feedback-Effekte in Ihren PC-Spielen.

Sie sind nun spielbereit!

Allgemeine Hinweise:

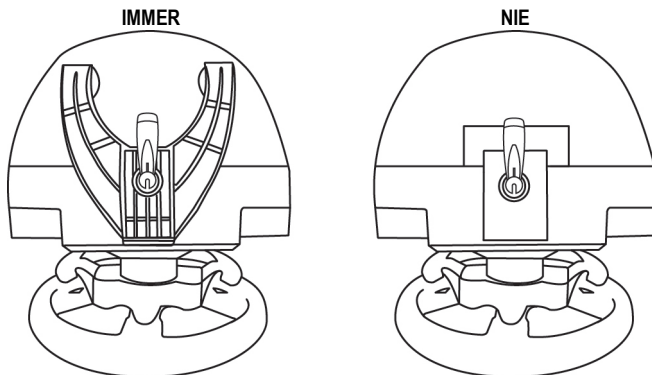
- Bevor Sie Ihr Spiel starten, klicken Sie auf OK, um das Game-Controller Fenster zu schließen.
- Alle Einstellungen, die Sie im Game-Controller Fenster vorgenommen haben, werden auf Ihrem Computer gespeichert (und haben somit keinen Einfluss auf der Xbox One).
- Die Firmwareversion Ihres Lenkrads wird in der oberen rechten Ecke neben den Tabulatoren in der Steuerkonsole für den TMX Force Feedback angezeigt.



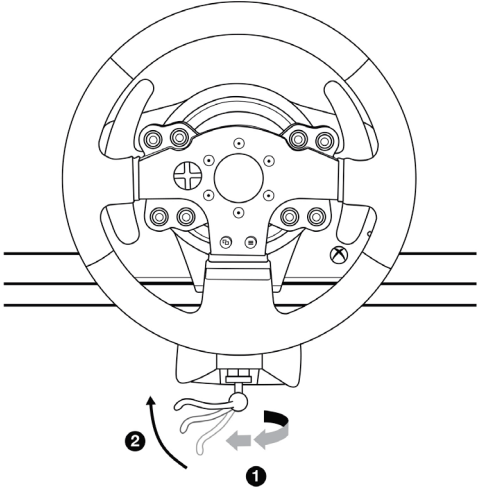
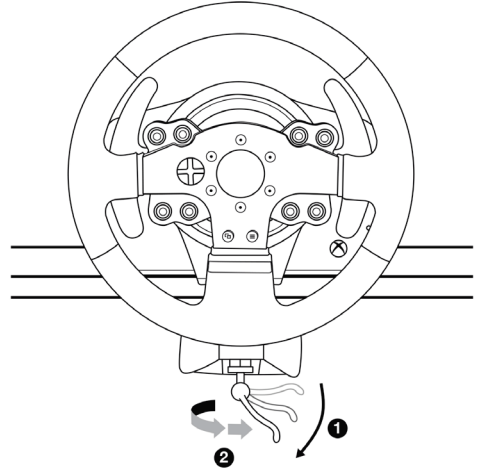
BEFESTIGEN DES RENNLENKADS

Befestigen Sie das Rennlenkad auf einem Tisch oder einen Schreibtisch

1. Plazieren Sie das Lenkrad auf einem Tisch oder einer anderen waagerechten, ebenen und stabilen Oberfläche.
2. Stecken Sie die Befestigungsschraube (**11**) in das Befestigungssystem (**10**). Ziehen Sie dann die Schraube entgegen dem Uhrzeigersinn im Schraubgewinde (**9**) unterhalb des Geräts, bis das Lenkrad sicher und perfekt stabil auf der Oberfläche montiert ist.



ACHTUNG: Ziehen Sie die Schraube niemals ohne das Befestigungssystem fest!
(Dies könnte Ihr Rennlenkad beschädigen).

MONTAGE / ABMONTIEREN	RICHTUNG
<p>Montieren:</p> <p><i>Drehen der Schraube entgegen dem Uhrzeigersinn</i></p>	
<p>Abmontieren:</p> <p><i>Drehen der Schraube im Uhrzeigersinn</i></p>	

AUTOMATISCHE RENNLENKRAD-KALIBRIERUNG

Das Rennlenkad kalibriert sich automatisch selbst beim Anschluss desselben an die Stromversorgung und den USB-Anschluss an die Xbox One.

Während dieser Phase dreht sich der Lenkkrans schnell nach rechts und links und deckt dabei einen Rotationswinkel von 900° ab. Danach stoppt der Lenkkrans in der mittigen Position.



WARNUNG:

**Berühren Sie das Rennlenkad niemals während der Kalibrierungsphase
(Dies kann zu Kalibrierungsfehlern und/oder Verletzungen führen.)**

MODE-BUTTON UND LEUCHTANZEIGE (8)

MODE-Button für das Pedalset

Das TMX Force Feedback ist kompatibel mit Thrustmasters Pedalsets, die 3 Pedale aufweisen.

Diese versetzen Sie in die Lage die Gas- und Kupplungspedale elektronisch zu vertauschen.

Um dies zu bewerkstelligen, drücken Sie einfach den MODE-Button (8) für 2 Sekunden.

Der interne Speicher des Rennlenkads speichert, ob die Pedale vertauscht wurden oder nicht.

GAS- UND KUPPLUNGSPEDALE	Farbe der MODE Leuchtanzeige (6)
NORMAL	ROT
VERTAUSCHT	GRÜN



WARNUNG:

**Sollten Sie dieses Pedalset nutzen, vergewissern Sie sich, daß die Leuchtanzeige rot anzeigt.
Andernfalls funktioniert das Gaspedal nicht korrekt.)**

Andere Hinweise für den MODE-Button

Um mehr über den MODE-Button und die Leuchtanzeige zu erfahren, besuchen Sie bitte die Website <http://support.thrustmaster.com>. Dann klicken Sie auf **Lenkräder / TMX Force Feedback** und wählen dann **Benutzerhandbuch** oder **FAQ** aus.

AKTUALISIEREN DER FIRMWARE IHRES RENNLENKADS

Die in Ihrer Rennlenkadbasis enthaltene Firmware kann durch eine produktverbessernde und aktuellere Firmware aktualisiert werden.

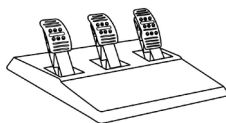
Um die aktuelle Version der Firmware Ihres Rennlenkads anzuzeigen und ob eine Aktualisierung eventuell verfügbar ist, rufen Sie auf Ihrem PC die Website <http://support.thrustmaster.com> auf. Klicken Sie bitte auf **Lenkräder / TMX Force Feedback**. Wählen Sie dann **Firmware** und folgen der Anleitung, die die Prozedur zum Herunterladen und zur Installation beschreibt.

HILFE UND HÄUFIG GESTELLTE FRAGEN (in diesem Handbuch nicht enthalten)

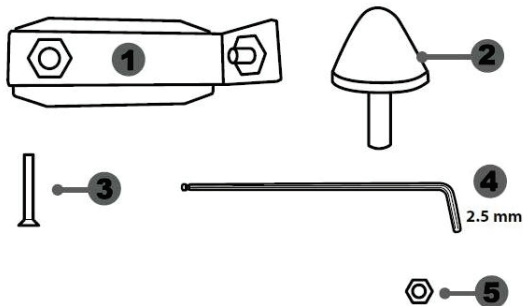
Gehen Sie bitte auf <http://support.thrustmaster.com>. Dann klicken Sie auf **Lenkräder / TMX Force Feedback** und wählen dann **Benutzerhandbuch** oder **FAQ** aus.

Falls Ihr Rennlenkrad und/oder das Pedalset nicht ordnungsgemäß funktionieren oder die Kalibrierung nicht korrekt zu sein scheint:

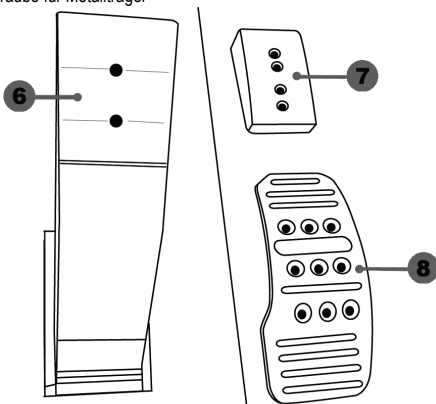
Schalten Sie Ihr System aus. Trennen Sie das Rennlenkrad komplett von dem System. Schließen Sie die Kabel (auch Netz- und Pedalset-Kabel) erneut an. Starten Sie dann Ihr System und das Spiel neu.



TECHNISCHE MERKMALE



- 1 Metallhalterung für den konischen Stop
(standardmäßig nicht montiert)
- 2 Konischer Stop
- 3 Befestigungsschraube für Metallträger
- 4 2.5 mm Inbusschlüssel (inklusive)
- 5 Positionsstellmutter für konischen Stop



- 6 Pedalstange
- 7 Plastik-Halterung
- 8 Pedalkopf aus Metall

ACHTUNG

Bevor Sie dieses Produkt benutzen, lesen Sie bitte diese Dokumentation sorgfältig durch und bewahren diese sicher auf, falls Sie später etwas nachlesen müssen.



Benutzen Sie das Pedalset aus Sicherheitsgründen niemals barfuß
oder wenn Sie nur Socken tragen.
**THRUSTMASTER® LEHNT JEDWEDE HAFTUNG IM FALLE EINER
VERLETZUNG DURCH DAS PEDALSET DURCH NUTZUNG DESSELBEN
OHNE SCHUHWERK AB.**



Achtung – Quetschgefahr am Pedalset während des Spielens

- * Bewahren Sie das Pedalset außerhalb der Reichweite von Kindern auf.
- * Bringen Sie während des Spielens niemals Ihre Finger auf oder in die Nähe der Seiten der Pedale.
- * Bringen Sie während des Spielens niemals Ihre Finger auf oder in die Nähe der Pedalrückseite.
- * Bringen Sie während des Spielens niemals Ihre Finger auf oder in die Nähe der Pedalvorderseite.

NIE



NIE



NIE



AUTOMATISCHE KALIBRIERUNG DER PEDALE



WICHTIG:

- Trennen oder verbinden Sie das Pedalset niemals von/mit der Basis, wenn diese an die PS3™ oder die PS4™ angeschlossen ist oder während des Spielverlaufs, um Kalibrierungsprobleme zu vermeiden.
- Schließen Sie das Pedalset immer an das Lenkrad an, bevor dieses mit einer PS3™ oder einer PS4™ verbunden wird.
- Nach der Selbstkalibrierung des Lenkrads und zu Beginn eines Spiels, kalibrieren sich die Pedale selbstständig nachdem diese einige Male betätigt wurden.
- Drücken Sie niemals die Pedale während der Selbstkalibrierung des Lenkrads oder beim Spielstart, um Kalibrierungsprobleme zu vermeiden.
- Falls die Pedale nicht korrekt funktionieren oder nicht ordnungsgemäß kalibriert zu sein scheinen: Schalten Sie Ihre Konsole aus. Trennen Sie Ihren Lenkrad völlig von derselben und schließen danach alle Kabel (inkl. Netzkabel und Pedalset-Kabel) wieder an. Schalten Sie Ihre Konsole ein und starten Sie Ihr Spiel erneut.

EINBAU DES PEDALSETS IN EIN COCKPIT

- Montieren Sie das Pedal-Set durch die darunterliegenden kleinen Gewindebohrungen.
- Drehen Sie zwei M6 Schrauben (nicht enthalten) durch die Cockpit-Ablage in die beiden kleinen Schraubgewinde unterhalb des Pedalsets ein.

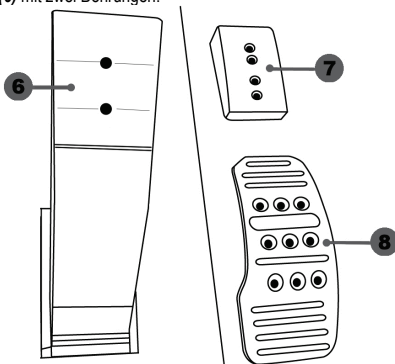
Achtung: Die Länge der beiden M6 Schrauben sollte die Dicke der Ablage plus zusätzlich 10 mm nicht überschreiten. Längere Schrauben könnten die internen Komponenten des Pedalsets beschädigen.

Layout-Diagramme für Cockpits (zur Positionierung der Rennlenkradbasis und/oder des Pedalsets) stehen auf <http://support.thrustmaster.com> zur Verfügung: Dann klicken Sie auf **Lenkräder / TMX Force Feedback** und wählen dann **Benutzerhandbuch** oder **FAQ** aus.

ANPASSEN DES PEDALSETS

Jedes der drei Pedale umfaßt:

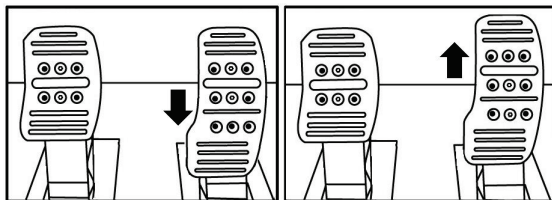
- Einen Metallkopf (8) mit mehreren Bohrungen (neun für das Gas – sechs für die Bremse – sechs für die Kupplung).
- Eine Plastik-Halterung (7) mit vier Bohrungen, die zwischen dem Kopf und der Stange plaziert wird.
- Eine Pedalstange (6) mit zwei Bohrungen.



ACHTUNG: Um jedwede Kalibrierungsprobleme zu vermeiden, stellen Sie sicher, daß das USB-Kabel des Lenkrads getrennt ist, bevor Sie irgendwelche Anpassungen Ihres Pedalsets vornehmen.

Anpassen der HÖHE des Gaspedals

- Benutzen Sie den beigelegten 2,5 mm Inbusschlüssel (4), um die beiden Schrauben, die den Pedalkopf aus Metall (8) und dessen Plastik-Halterung (7) halten, loszuschrauben.
- Wählen Sie Ihre bevorzugte Höhe und setzen dann die Schrauben wieder ein. Ziehen Sie diese fest, bis der Pedalkopf aus Metall (8) und dessen Plastik-Halterung (7) wieder festsitzen.



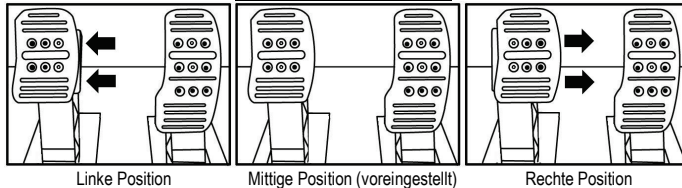
Niedrige Position (voreingestellt)

Hohe Position

Anpassen des ZWISCHENRAUMES der drei Pedale

- Benutzen Sie den beigelegten 2,5 mm Inbusschlüssel (4), um die beiden Schrauben, die den Pedalkopf aus Metall (8) und dessen Plastik-Halterung (7) halten, loszuschrauben.
- Wählen Sie Ihre bevorzugte Position (mehr links, in der Mitte oder mehr nach rechts) und setzen dann die Schrauben wieder ein. Ziehen Sie diese fest, bis der Pedalkopf aus Metall (8) und dessen Plastik-Halterung (7) wieder festsitzen.

Zum Beispiel beim Bremspedal:



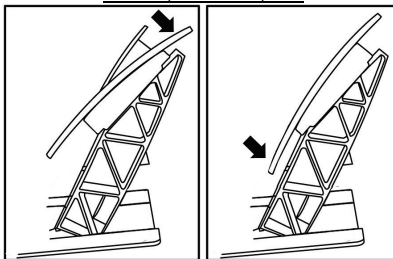
Anzahl der möglichen Abstandspositionen pro Pedal:

- Drei für das Gaspedal
- Drei für die Bremse
- Drei für die Kupplung

Anpassen der NEIGUNG der Pedale

- Benutzen Sie den beigelegten 2,5 mm Inbusschlüssel (4), um die beiden Schrauben, die den Pedalkopf aus Metall (8) und dessen Plastik-Halterung (7) halten, loszuschrauben.
- Drehen Sie die Plastikhalterung (7) um 180° und setzen dann die Schrauben wieder ein. Ziehen Sie diese fest, bis der Pedalkopf aus Metall (8) und dessen Plastik-Halterung (7) wieder festsitzen.

Zum Beispiel beim Gaspedal:



Weniger geneigte Position Geneigtere Position (voreingestellt)

Anzahl der möglichen Neigungspositionen pro Pedal:

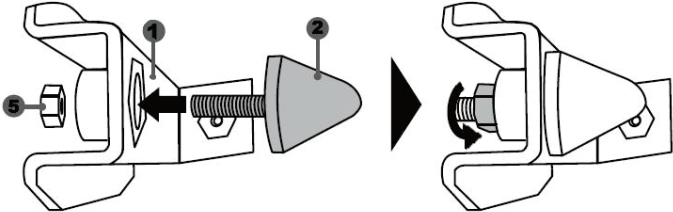
- Zwei für das Gaspedal
- Zwei für die Bremse
- Zwei für die Kupplung

Montage des konischen Stops ("CONICAL RUBBER BRAKE" Mod)

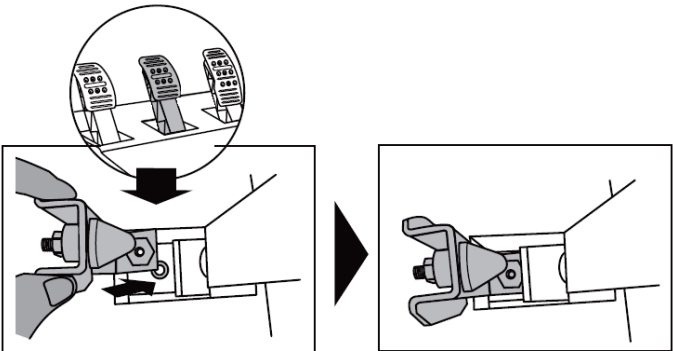
Die Modifizierung (oder "Mod") ist nicht unbedingt erforderlich und ist standardmäßig nicht montiert. Das bedeutet, daß die Bremse auch ohne diese Mod bestens funktioniert.

Diese Mod verschafft Ihnen ein anderes Gefühl und einen anderen Widerstand beim Bremsen. Es liegt bei Ihnen, diese nach Ihrem Belieben zu montieren.

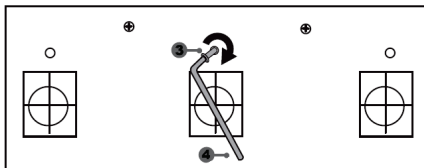
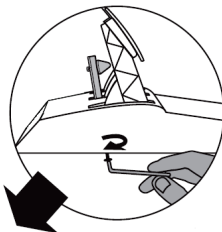
- Schrauben Sie den konischen Stop (2) in dessen Metallhalterung (1).
- Drehen Sie die Positions-Stellmutter (5) von unten auf das Gewinde des konischen Stops.



- Positionieren Sie die Einheit auf der Rückseite der Bremspedalstange.



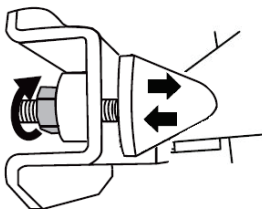
- Benutzen Sie den beigefügten 2.5 mm Inbusschlüssel (4), um die Einheit mittels der Befestigungsschraube (3) und dem kleinen Schraubgewinde an der Unterseite des Pedalsatzes zu montieren.



Die "CONICAL RUBBER BRAKE" Mod ist nun montiert!

Anpassen des HUBS und der STÄRKE des Widerstands der Bremse

Durch leichtes Losdrehen der Mutter (5) können Sie den Bremswiderstand verstärken, indem Sie den konischen Stop (2) näher an die Rückseite der Bremspedalstange herausdrehen (falls nötig, verwenden Sie einen 14-mm-Maulschlüssel oder eine Zange, um die Mutter in der gewählten Position wieder anzuziehen). Je näher der konische Stop an der Bremspedalstange sitzt, desto stärker wird der Bremswiderstand.



Bitte beachten: Wenn der konische Stop sehr nahe an der Bremspedalstange sitzt, könnten Sie Schwierigkeiten zum Erreichen des maximalen Kalibrierungswertes bekommen. Sollte dies der Fall sein:

- * Drücken Sie langsam sehr hart auf das Bremspedal, um den Maximalwert zu erreichen (falls nötig, stellen Sie sich ganz kurz auf das Pedal - nur für eine Sekunde) und geben dann das Pedal wieder frei; oder aber
- * Drehen den konischen Stop etwas ein, um mehr Abstand von der Bremspedalstange zu erhalten.

Kunden-Garantie-Information

Guillemot Corporation S.A. mit Hauptfirmensitz in Place du Granier, B.P. 97143, 35571 Chantepie, France (fortfolgend "Guillemot") garantiert Kunden weltweit, daß dieses Thrustmaster Produkt frei von Mängeln in Material und Verarbeitung für eine Gewährleistungsfrist ist, die mit der Frist für eine Mängelrüge bezüglich des Produktes übereinstimmt. In den Ländern der Europäischen Union entspricht diese einem Zeitraum von zwei (2) Jahren ab Kaufdatum des Thrustmaster Produktes. In anderen Ländern entspricht die Gewährleistungsfrist der zeitlichen Begrenzung für eine Mängelrüge bezüglich des Thrustmaster Produktes in Übereinstimmung mit anwendbarem Recht des Landes, in dem der Kunde zum Zeitpunkt des Erwerbs eines Thrustmaster Produktes wohnhaft ist. Sollte eine entsprechende Regelung in dem entsprechenden Land nicht existieren, umfasst die Gewährleistungspflicht einen Zeitraum von einem (1) Jahr ab dem originären Kaufdatum des Thrustmaster Produktes.

Sollten bei dem Produkt innerhalb der Gewährleistungsfrist Defekte auftreten, kontaktieren Sie unverzüglich den technischen Kundendienst, der die weitere Vorgehensweise anzeigt. Wurde der Defekt bestätigt, muß das Produkt an die Verkaufsstelle (oder an eine andere Stelle, je nach Maßgabe des technischen Kundendienstes) retourniert werden.

Im Rahmen dieser Garantie sollte das defekte Produkt des Kunden, je nach Entscheidung des technischen Kundendienstes, entweder ausgetauscht oder repariert werden. Sollte während der Garantiezeit das Thrustmaster Produkt einer derartigen Instandsetzung unterliegen und das Produkt während eines Zeitraums von mindestens sieben (7) Tagen nicht benutzbar sein, wird diese Zeit der restlichen Garantiezeit hinzugefügt. Diese Frist läuft ab dem Zeitpunkt, an dem der Wunsch des Verbrauchers bezüglich einer Intervention vorliegt oder ab dem Tag, an dem das fragliche Produkt zur Instandsetzung zur Verfügung steht, falls das Datum, an dem das Produkt zur Instandsetzung zur Verfügung steht, dem Datum des Antrags auf Intervention nachfolgt. Wenn nach geltendem Recht zulässig, beschränkt sich die volle Haftung von Guillemot und ihrer Tochtergesellschaften auf die Reparatur oder den Austausch des Thrustmaster Produktes (inklusive Folgeschäden). Wenn nach geltendem Recht zulässig, lehnt Guillemot alle Gewährleistungen der Marktgängigkeit oder Eignung für einen bestimmten Zweck ab.

Der Gewährleistungsanspruch verfällt: (1) Falls das Produkt modifiziert, geöffnet, verändert oder ein Schaden durch unsachgemäßen oder missbräuchlichen Gebrauch hervorgerufen wurde, sowie durch Fahrlässigkeit, einen Unfall, Verschleiß oder irgendeinem anderen Grund – aber nicht durch Material- oder Herstellungsfehler (einschließlich, aber nicht beschränkt auf, die Kombination der Thrustmaster Produkte mit ungeeigneten Elementen, insbesondere Netzteile, Akkus, Ladegeräte, oder andere Elemente, die von Guillemot für dieses Produkt nicht mitgeliefert wurden); (2) Falls das Produkt für eine andere Nutzung als zum privaten Hausgebrauch, einschließlich für professionelle oder kommerzielle Zwecke (z. B. Spielhallen, Training, Wettkämpfe) verwendet wird; (3) Im Falle der Nichteinhaltung der durch den technischen Support erteilten Anweisungen; (4) Durch Software. Die besagte Software ist Gegenstand einer speziellen Garantie; (5) Bei Verbrauchsmaterialien (Elemente, die während der Produktlebensdauer ausgetauscht werden, wie z. B. Einwegbatterien, Ohrpolster für ein Audioheadset oder für Kopfhörer); (6) Bei Accessoires (z. B. Kabel, Etuis, Taschen, Beutel, Handgelenk-Riemen); (7) Falls das Produkt in einer öffentlichen Versteigerung verkauft wurde. Diese Garantie ist nicht übertragbar.

Die Rechte des Kunden in Übereinstimmung mit anwendbarem Recht bezüglich des Verkaufs auf Konsumgüter im Land der/der Kunden/Kundin wird durch diese Garantie nicht beeinträchtigt.

Zusätzliche Gewährleistungsbestimmungen

Während der Garantiezeit bietet Guillemot grundsätzlich keine Ersatzteile an, da der technische Kundendienst der einzige autorisierte Partner zum Öffnen und/oder Instandsetzen jedweden Thrustmaster-Produkts ist (mit Ausnahme von irgendwelchen Instandsetzungsverfahren, die der Kunde nach Maßgabe des technischen Kundendienstes und durch schriftliche Instruktionen sowie der Zurverfügungstellung des/der eventuell erforderlichen Ersatzteil(s)(e) selbst in der Lage ist durchzuführen – zum Beispiel aufgrund der Einfachheit und einer nicht erforderlichen Geheimhaltung des Instandsetzungsverfahrens).

Aufgrund seiner Innovationszyklen und um sein Know-how und seine Geschäftsgeheimnisse zu schützen, bietet Guillemot grundsätzlich keine Instandsetzungs-Benachrichtigung oder Ersatzteile für alle Thrustmaster Produkte an, deren Garantiezeit abgelaufen ist.

Haftung

Wenn nach dem anwendbaren Recht zulässig, lehnen Guillemot Corporation S.A. (fortfolgend "Guillemot") und ihre Tochtergesellschaften jegliche Haftung für Schäden, die auf eine oder mehrere der folgenden Ursachen zurückzuführen sind, ab: (1) das Produkt wurde modifiziert, geöffnet oder geändert; (2) Nichtbefolgung der Montageanleitung; (3) unangebrachte Nutzung, Fahrlässigkeit, Unfall (z. B. ein Aufprall); (4) normalem Verschleiß; (5) Die Verwendung des Produkts für jedwede andere Nutzung als zum privaten Hausgebrauch, einschließlich professionelle oder kommerzielle Zwecke (z. B. Spielhallen, Training, Wettkämpfe). Wenn nach anwendbarem Recht zulässig, lehnen Guillemot und seine Niederlassungen jegliche Haftung für Schäden, die nicht auf einen Material- oder Herstellungsfehler in Bezug auf das Produkt beruhen (einschließlich, aber nicht beschränkt auf, etwaige Schäden, die direkt oder indirekt durch Software oder durch die Kombination der Thrustmaster Produkte mit ungeeigneten Elementen, insbesondere Netzteile, Akkus, Ladegeräte, oder andere Elemente, die von Guillemot für dieses Produkt nicht geliefert wurden), ab.

THRUSTMASTER®

TECHNISCHER SUPPORT

<http://support.thrustmaster.com>



COPYRIGHT

© Guillemot Corporation S.A. 2016. Alle Rechte vorbehalten. Thrustmaster® ist ein eingetragenes Warenzeichen der Guillemot Corporation S.A. Alle anderen Handelsmarken sind im Besitz Ihrer jeweiligen Eigentümer. Illustrationen nicht verbindlich. Inhalte, Design und Spezifikationen können ohne vorherige Ankündigung geändert werden und können von Land zu Land unterschiedlich sein. Hergestellt in China.

Hinweise zum Umweltschutz



* In der Europäischen Union: Dieses Produkt darf nach Ende seiner Lebensdauer nicht über den Hausmüll entsorgt werden, sondern muss an einem Sammelpunkt für das Recycling von elektrischen und elektronischen Geräten abgegeben werden.

Das Symbol auf dem Produkt, der Gebrauchsanleitung oder der Verpackung weist darauf hin.

Die Werkstoffe sind gemäß ihrer Kennzeichnung wiederverwertbar. Mit der Wiederverwertung, der stofflichen Verwertung oder anderen Formen von Altgeräten leisten Sie einen wichtigen Beitrag zum Schutz unserer Umwelt. Bitte erfragen Sie bei der Gemeindeverwaltung die zuständige Entsorgungsstelle.

Für alle anderen Länder: Bitte beachten Sie die lokalen Entsorgungsrichtlinien/-Gesetze bezüglich elektrischen und elektronischen Equipments.

Wichtige Informationen. Die Farben und Verzierungen können abweichen.
Plastikhalterungen und Aufkleber bitte vor der Nutzung des Produktes entfernen.

www.thrustmaster.com

* Nur in der EU und der Türkei anwendbar

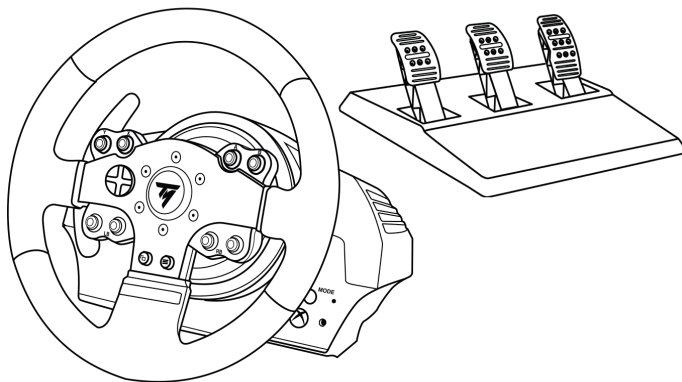


TMX PRO

FORCE FEEDBACK

VOOR XBOX ONE EN PC

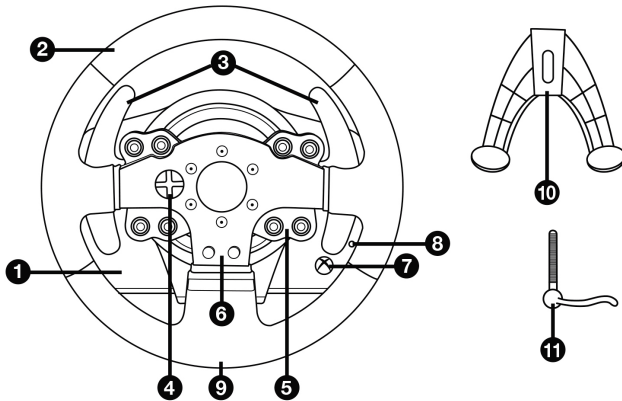
Handleiding



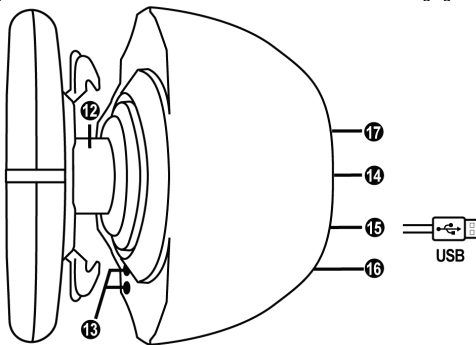
WAARSCHUWING:

Om er zeker van te zijn dat het TMX-racestuur correct werkt met games voor de XboxX One en pc, moet u mogelijk de automatische updates voor de games installeren (beschikbaar wanneer het systeem met internet is verbonden).

TECHNISCHE SPECIFICATIES



- | | | | |
|---|---|----|---|
| 1 | TMX-voet | 7 | Xbox Guide-knop + Witte indicator |
| 2 | Stuur | 8 | MODE-knop + rood/groen-indicator |
| 3 | 2 sequentiële schakelflippers (Up & Down) | 9 | Groot schroefgat (voor bevestigingssysteem en -schroef) |
| 4 | Multidirectionele D-Pad | 10 | Bevestigingssysteem |
| 5 | Actieknoppen | 11 | Metalen bevestigingsschroef |
| 6 | Actieknoppen | | |



- | | | | |
|----|---|----|---|
| 12 | Stuuras | 15 | USB-kabel en -connector voor racestuur |
| 13 | Xbox Guide-knop + Witte indicator | 16 | Connector voor versnellingsbak
(<i>versnellingsbak wordt apart verkocht</i>) |
| 14 | Voedingskabel
of connector voor netstroom
(<i>kan per land verschillen</i>) | 17 | Connector voor pedaalset |

WAARSCHUWINGEN

Lees, voordat u dit product gebruikt, deze handleiding zorgvuldig door en bewaar hem om eventueel op een later tijdstip te kunnen raadplegen.



Waarschuwing –Elektrische schok

- * Berg dit product op een droge plek op, uit de zon en stofvrij.
- * Trek nooit te hard aan een kabel of connector en zorg dat er geen knikken in kabels komen.
- * Mors geen vloeistoffen op het product of op een connector.
- * Veroorzaak geen kortsluiting.
- * Haal het product nooit uit elkaar, gooi het niet in het vuur en stel het niet bloot aan hoge temperaturen.
- * Gebruik geen andere netstroomkabel dan de kabel meegeleverd bij het racestuur.
- * Gebruik de netstroomkabel nooit als de kabel, de stekkers of de connectoren zijn beschadigd, gespleten of gebroken.
- * Controleer dat de netstroomkabel correct is aangesloten op het stopcontact en correct is aangesloten op de achterzijde van de voet van het racestuur.
- * Maak het stuur niet open. Er bevinden zich geen door de gebruiker te onderhouden of repareren onderdelen in. Alle reparaties dienen te worden uitgevoerd door de fabrikant, haar bevoegde vertegenwoordiger of een gekwalificeerd technicus.
- * Gebruik alleen door de fabrikant goedgekeurde hulpstukken en accessoires.
- * Als het racestuur zich vreemd gedraagt, bijvoorbeeld door rare geluiden te maken, heet te worden of te stinken, stop dan onmiddellijk met het gebruik, haal de stekker uit het stopcontact en maak alle andere kabels los.
- * Als het racestuur langere tijd niet wordt gebruikt, haal dan de stekker uit het stopcontact.
- * Gebruik indien uw racestuur gebruik maakt van een externe voedingsadapter, uitsluitend de bij uw apparaat meegeleverde adapter.
- * Het stopcontact moet in de buurt van de apparatuur zijn en moet goed bereikbaar zijn.



Ventilatieopeningen

Blokkeer nooit de ventilatieopeningen op de voet van het stuur. Aanwijzingen voor optimale ventilatie:

- * Plaats de voet van het stuur minimaal 10 cm van een muur.
- * Plaats de voet niet in een krappe ruimte.
- * Leg nooit iets over de voet heen.
- * Zorg dat de ventilatieopeningen stofvrij blijven.



Om veiligheidsredenen mogen de pedalen nooit met blote voeten worden bediend of met alleen sokken aan.

THRUSTMASTER® WIJST ELKE VERANTWOORDELIJKHEID AF IN GEVAL VAN LETSEL ALS GEVOLG VAN HET GEBRUIK VAN DE PEDAALSET ZONDER SCHOENEN AAN.



Waarschuwing – Mogelijk letsel ten gevolge van Force Feedback en repetitieve bewegingen

Gamen met een Force Feedback-stuur kan leiden tot pijn in de gewrichten of de spieren. Hoe voorkomt u problemen:

- * Vermijd langdurige gamesessies.
- * Neem na elk uur gamen een pauze van 10 tot 15 minuten.
- * Stop met gamen bij last van vermoeidheid of pijn in handen, polsen, armen, voeten of benen, en rust een paar uur voordat u weer verder gaat met gamen.



Waarschuwing — Mogelijk letsel ten gevolge van Force Feedback en repetitieve bewegingen (vervolg)

- * Stop al het gamen als de hierboven beschreven symptomen van pijn of ongemak blijven aanhouden tijdens het gamen en raadpleeg een huisarts.
- * Houd het stuur, de voet en de pedaalset buiten het bereik van kinderen.
- * Houd tijdens het gamen altijd twee handen aan het stuur op de juiste stand en laat het stuur nooit helemaal los.
- * Zorg er tijdens het gamen voor dat handen of vingers nooit in de buurt van of onder de pedalen of de pedaalset komen.
- * Steek tijdens het kalibreren en gamen nooit een vinger, hand of arm door de openingen van het racestuur.
- * Zorg er voor dat de voet van het racestuur stevig vast zit, zoals beschreven in deze handleiding.

ZWAAR PRODUCT



Product mag alleen verplaatst worden door gebruikers van 14 jaar of ouder



Wees voorzichtig en laat het product niet op uzelf of iemand anders vallen!

ALTIJD



NOOIT



NOOIT



HET RACESTUUR GEREED MAKEN VOOR DE XBOX ONE

1. Sluit de pedaalsset aan op de connector (17) aan de achterkant van de voet van het racestuur.
2. Sluit de netstroomkabel aan op de connector (14) aan de achterkant van de voet van het racestuur.
3. Sluit de netstroomkabel aan op een stopcontact met de correcte netspanning.
4. Sluit de USB-connector (15) van het stuur aan op een van de USB-poorten van het systeem.
5. Zodra het systeem stroom krijgt, kalibreert het stuur zichzelf.

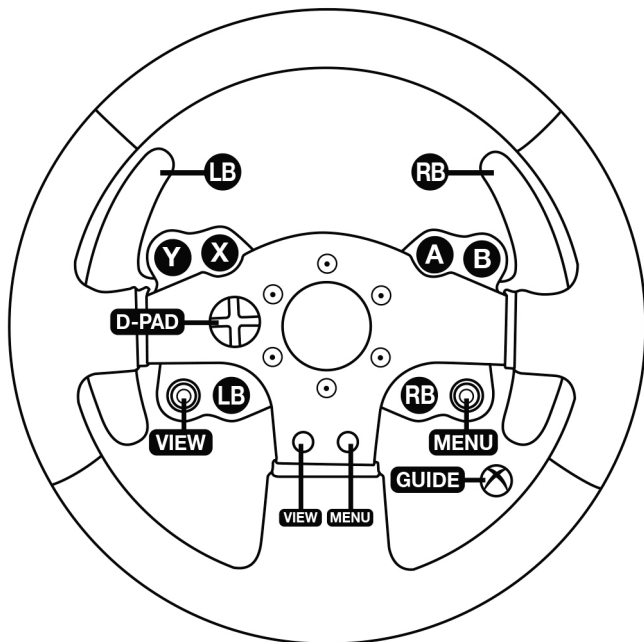
Nu kan er gespeeld worden!

- De lijst met Xbox One -games die compatibel zijn met de TMX Force Feedback en de daarvoor benodigde stand van de USB-keuzeschakelaar (5) is beschikbaar op:

<http://support.thrustmaster.com> (klik op Raceturen / TMX Force Feedback).

Deze lijst wordt regelmatig bijgewerkt.

MAPPING VOOR DE XBOX ONE



HET RACESTUUR INSTALLEREN OP UW PC

1. Ga naar <http://support.thrustmaster.com> en download de drivers en de Force Feedback software voor de pc. Klik op Racesturen / TMX Force Feedback en selecteer Drivers.
2. Start de installatie nadat de download is voltooid en volg de instructies op het scherm om de USB-stekker van het stuur aan te sluiten op uw computer en de installatie te voltooien.
3. Klik nadat de installatieprocedure is afgerond op Voltooien om de computer opnieuw te starten.
4. Kies Start / Alle programma's / Thrustmaster / FFB Racing Wheel / Configuratiescherm om het venster Game Controllers te openen.

Het venster Game Controllers geeft Thrustmaster TMX Racing Wheel als naam voor het racestuur met de status OK.

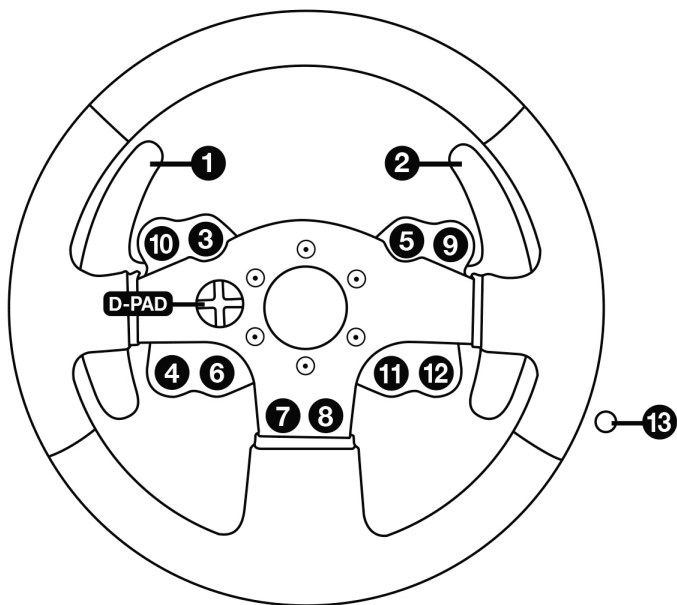
5. Klik op Eigenschappen om het stuur te configureren in het TMX configuratiescherm:
 - Tabblad "Test Input": hiermee kunnen de actieknoppen, richtingsknoppen, het stuur en de pedaalassen getest en bekeken worden. Ook is het mogelijk de draaihoek van het stuur in pc-games aan te passen.
 - Tabblad "Test Forces": hiermee kunnen 12 Force Feedback effecten worden getest.
 - Tabblad "Gain Settings": hiermee kan de kracht van de Force Feedback effecten in pc-games worden aangepast.

Nu kan er gespeeld worden!

Algemene opmerkingen:

- Klik op de pc op OK om het venster Game Controllers te sluiten voordat u de game start.
- Op de pc worden aanpassingen gemaakt in het venster Game Controllers alleen opgeslagen op de computer en hebben dus geen effect op de Xbox One.
- De firmware-versie van uw stuur wordt rechtsboven in de TMX Force Feedback configuratiescherm-tabbladen vermeld.

MAPPING OP PC



ENGLISH

FRANÇAIS

DEUTSCH

NEDERLANDS

ITALIANO

ESPAÑOL

PORTUGUÊS

РУССКИЙ

ΕΛΛΗΝΙΚΑ

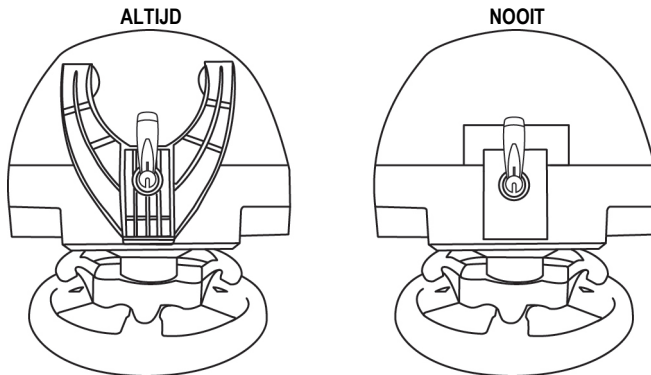
TÜRKÇE

POLSKI

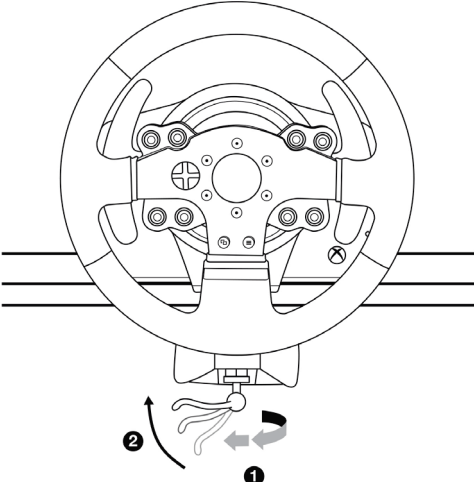
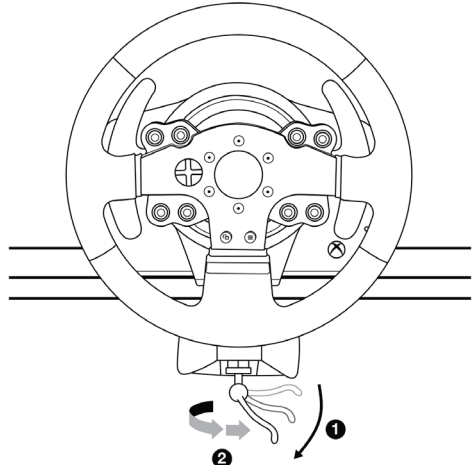
HET RACESTUUR BEVESTIGEN

Het racestuur op een tafel of werkblad bevestigen

1. Plaats het racestuur op een tafel of een ander horizontaal, vlak en stabiel oppervlak.
2. Plaats de bevestigingsschroef (11) in het bevestigingssysteem (10) en draai de schroef aan (tegen de klok in) zodat deze vast komt te zitten in het schroefgat (9) onder het racestuur en het stuur volledig stabiel is.



WAARSCHUWING: draai de schroef nooit in het racestuur zonder het bevestigingssysteem!
(Daarmee kunt u het racestuur beschadigen).

BEVESTIGEN / VERWIJDEREN	RICHTING
<p><u>Vastdraaien:</u></p> <p><i>Draai de schroef linksom vast (tegen de wijzers van de klok in).</i></p>	
<p><u>Losdraaien:</u></p> <p><i>Draai de schroef rechtsom los (met de wijzers van de klok mee).</i></p>	

HET RACESTUUR AUTOMATISCH KALIBREREN

Het stuur kalibreert zichzelf automatisch wanneer u het stuur op een stopcontact aansluit en de USB-connector van het stuur op het Xbox One aansluit.

Tijdens deze kalibratie zal het stuur snel 900 graden linksom en rechtsom draaien voordat het stopt in de middenstand.

WAARSCHUWING: Tijdens het automatisch kalibreren mag u het stuur niet aanraken.

(Raakt u het stuur toch aan, dan kan dit leiden tot een onjuiste kalibratie en/of persoonlijk letsel).

MODE-KNOP EN INDICATOR (8)

MODE-knop voor de pedaalset

De TMX Force Feedback is ook compatibel met de Thrustmaster-pedaalsets met drie pedalen. Op deze sets is het mogelijk de functie van het koppelingspedaal en het gaspedaal te verwisselen.

Dit doet u door de MODE-knop (6) twee seconden ingedrukt te houden.

De door u ingestelde functie van de pedalen wordt opgeslagen in het interne geheugen van het racestuur.

GASPEDAAL EN KOPPELINGSPEDAAL	Kleur van de MODE-indicator (8)
NORMAAL	ROOD
VERWISSELD	GROEN



WAARSCHUWING:

Let er bij het gebruik van deze pedaalset op dat de indicator rood blijft branden. Is dit niet het geval, dan werkt het gaspedaal mogelijk niet correct.

Meer functies van de MODE-knop

Meer informatie over de MODE-knop en de indicator vindt u op <http://support.thrustmaster.com>. Klik op **Racesturen / TMX Force Feedback** en selecteer **Handleiding** of **FAQ**.

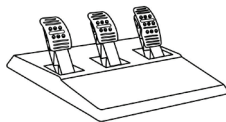
DE FIRMWARE VAN HET RACESTUUR BIJWERKEN

De firmware in de voet van het racestuur kan worden bijgewerkt naar een nieuwere verbeterde versie wanneer een dergelijke versie beschikbaar komt.

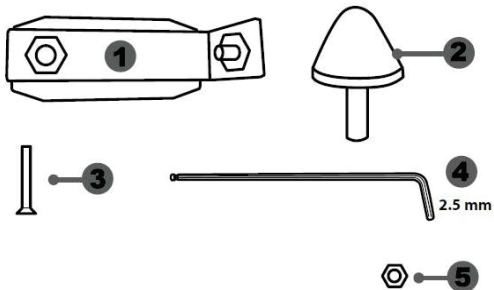
Om de huidige versie van de firmware van het racestuur weer te geven en deze bij te werken indien gewenst: ga op een PC naar <http://support.thrustmaster.com>. Klik op **Racesturen / TMX Force Feedback**, selecteer **Firmware** en volg de instructies voor het downloaden en installeren.

HELPBESTANDEN EN FAQS (NIET OPGENOMEN IN DEZE HANDLEIDING)

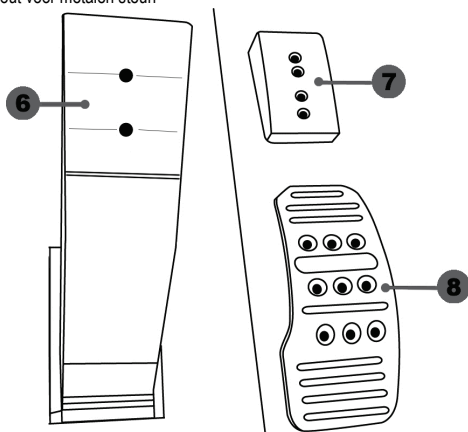
Ga naar <http://support.thrustmaster.com>. Klik op **Racesturen / TMX Force Feedback** en selecteer **Handleiding** of **FAQ**.



TECHNISCHE KENMERKEN



- 1 Metalen steun voor conische begrenzer
(niet geïnstalleerd bij levering)
- 2 Conische begrenzer
- 3 Bevestigingsbout voor metalen steun
- 4 2,5 mm inbussleutel (meegeleverd)
- 5 Afstelmoer voor conische begrenzer



- 6 Pedaalarm
- 7 Kunststof pedaalsteun
- 8 Metalen pedaal

WAARSCHUWING

Lees, voordat u dit product gebruikt, dit document zorgvuldig door en bewaar het om eventueel op een later tijdstip te kunnen raadplegen.



Voor uw en andermans veiligheid mag de pedaalset nooit worden gebruikt op blote voeten of met alleen sokken aan.

THRUSTMASTER® WIJST ELKE VERANTWOORDELIJKHEID AF IN GEVAL VAN LETSEL ALS GEVOLG VAN HET GEBRUIK VAN DE PEDAAALSET ZONDER SCHOENEN AAN.



Waarschuwing — Pedaalset beknellingsgevaar tijdens gamen

- * Houd de pedaalset buiten het bereik van kinderen.
- * Zorg tijdens gebruik dat vingers of duimen nooit in de buurt van of op de zijkant van de pedalen komen.
- * Zorg tijdens gebruik dat vingers of duimen nooit in de buurt van of op de achterzijde van de pedalen komen.
- * Zorg tijdens gebruik dat vingers of duimen nooit in de buurt van of op de voorzijde van de pedalen komen.

NOOIT



NOOIT



NOOIT



AUTOMATISCHE KALIBRATIE VAN PEDALEN



BELANGRIJK:

- Om kalibratieproblemen te vermijden, mag u de pedaalsset nooit aansluiten op of loskoppelen van de voet van het stuur wanneer het stuur is verbonden met de PS3™ of de PS4™ getrennt, of tijdens het gamen.
- Sluit de pedaalsset altijd eerst aan op het stuur voordat u het stuur aansluit op de PS3™ of de PS4™.
- Zodra het stuur zichzelf heeft gekalibreerd en de game is gestart, kalibreren de pedalen zichzelf automatisch nadat ze enkele malen zijn ingetrapt.
- Om kalibratieproblemen te vermijden, mag u nooit op de pedalen trappen wanneer het stuur bezig is met zelfkalibratie of wanneer de game aan het opstarten is,
- Als de pedalen niet correct werken of niet correct gekalibreerd lijken te zijn, schakel dan de console uit, koppel het stuur volledig los, sluit alle kabels weer aan (inclusief de voedingskabel en de pedaalssetkabel) en start de console en de game opnieuw op.

DE PEDAALSET AAN EEN COCKPIT BEVESTIGEN

- Bevestig de pedaalsset met behulp van de kleine schroefdraden onderop de pedaalsset.
- Schroef twee M6-boutjes (niet meegeleverd) in de pedaalssetunplaat van de cockpit en in de twee kleine schroefdraden onderop de pedaalsset.

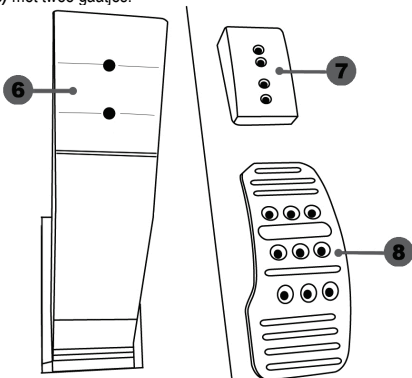
Belangrijk: de M6-schroeven mogen niet langer zijn dan de dikte van het paneel + 10 mm. Langere schroeven kunnen de componenten in de pedaalsset beschadigen.

Schema's voor cockpits (voor het plaatsen van de voet van het racestuur en/of de pedaalsset) zijn beschikbaar op <http://support.thrustmaster.com>. Klik op **Racesturen / TMX Force Feedback** en selecteer vervolgens **Handleiding of FAQ..**

DE PEDAALSET VERSTELLEN

Elk van de drie pedalen bestaat uit:

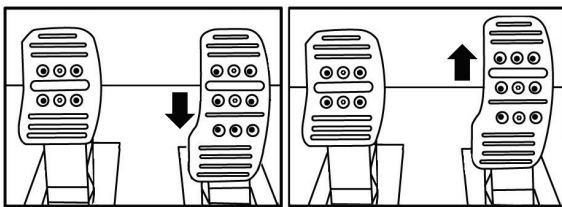
- Een metalen pedaal (**8**) met een aantal gaatjes (negen voor het gaspedaal, zes voor het rempedaal en zes voor het koppelingspedaal).
- Een kunststof tussenstuk (**7**) (wordt geplaatst tussen het pedaal en de arm van het pedaal) met vier gaatjes.
- Een pedaalarm (**6**) met twee gaatjes.



LET OP: om kalibratieproblemen te vermijden, moet u altijd de USB-kabel loskoppelen voordat u een pedaal verstelt.

De HOOGTE van een pedaal afstellen

- Draai met behulp van de meegeleverde 2,5 mm inbussleutel (**4**) de twee boutjes los waarmee het pedaal (**8**) en de steun (**7**) vast zitten.
- Kies de gewenste pedaalhoogte en zet de twee boutjes weer vast waarmee het pedaal (**8**) en de steun (**7**) vast zitten.



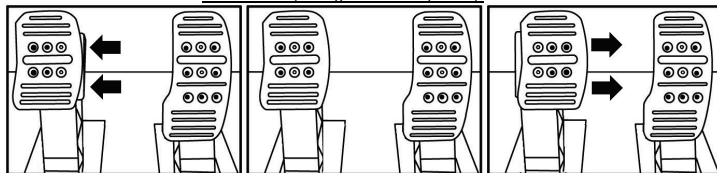
Lage stand (standaard)

Hoge stand

De RUIJTE TUSSEN twee pedalen afstellen

- Draai met behulp van de meegeleverde 2,5 mm inbussleutel (4) de twee boutjes los waarmee het pedaal (8) en de steun (7) vast zitten.
- Kies de gewenste pedaalstand (naar links, in het midden of naar rechts) en zet de twee boutjes weer vast waarmee het pedaal (8) en de steun (7) vast zitten.

Voorbeelden (in dit geval het rempedaal):



Links

In het midden (standaard)

Rechts

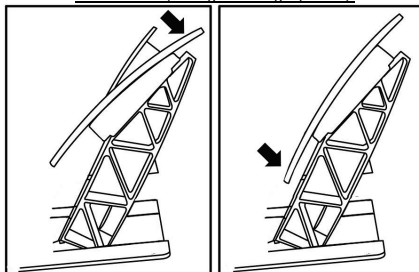
Aantal mogelijke standen van een pedaal:

- Drie voor gaspedaal
- Drie voor rempedaal
- Drie voor koppelpedaal

De HOEK van een pedaal afstellen

- Draai met behulp van de meegeleverde 2,5 mm inbussleutel (4) de twee boutjes los waarmee het pedaal (8) en de steun (7) vast zitten.
- Draai de kunststof steun (7) 180° om en zet de twee boutjes weer vast waarmee het pedaal (8) en de steun (7) vast zitten.

Voorbeelden (in dit geval het gaspedaal):



Kleine hoek

Grote hoek (standaard)

Aantal mogelijke hoekstanden van een pedaal:

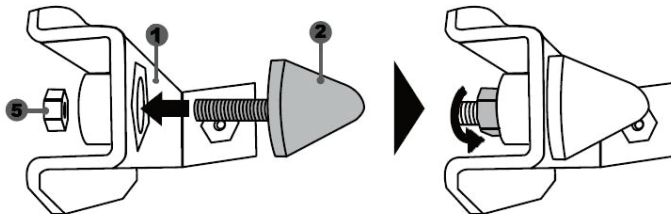
- Twee voor gaspedaal
- Twee voor rempedaal
- Twee voor koppelpedaal

De conische begrenzer monteren ("CONICAL RUBBER BRAKE" mod)

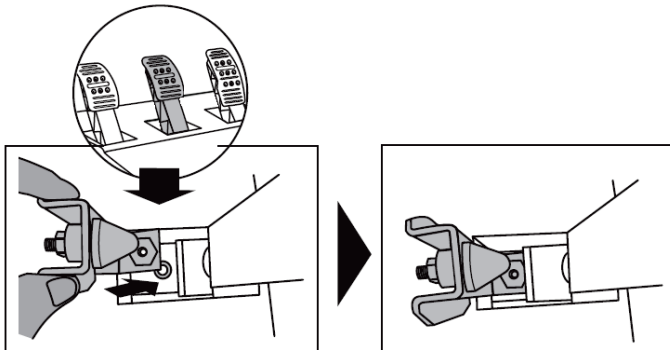
Deze modificatie (of "mod") is niet noodzakelijk en is af fabriek niet gemonteerd. Dit betekent dat het rempedaal ook perfect functioneert als deze mod niet is gemonteerd.

*Als u deze mod wel monteert, krijgt u een ander gevoel in het rempedaal.
Het wel of niet monteren van deze begrenzer is dus een kwestie van voorkeur.*

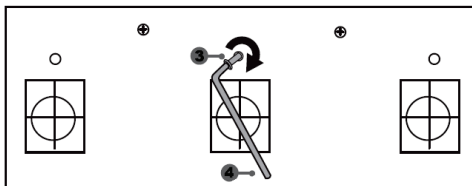
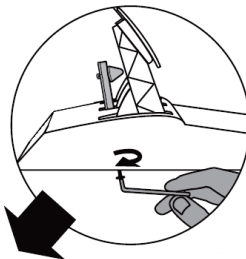
- Schroef de conische begrenzer (2) op de metalen steun (1).
- Schroef de afstelmoer (5) op de schroefdraad van de conische begrenzer.



- Plaats de unit achterop de rempedaalarm.



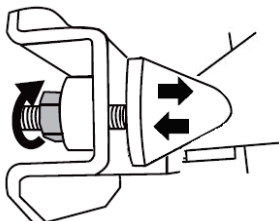
- Gebruik de meegeleverde 2,5 mm inbussleutel (4) om de unit te monteren met het bevestigingsboutje (3) en de kleine centrale schroefdraad onderop de pedaalset.



De "CONICAL RUBBER BRAKE" mod is nu gemonteerd

De SLAG en WEERSTAND van het rempedaal afstellen

Als u meer weerstand in het rempedaal wilt, draait u de moer (5) iets los en plaatst u de begrenzer (2) iets dichterbij het rempedaal (gebruik indien nodig een 14 mm steek- of ringsleutel, of een tang om de moer opnieuw vast te draaien en de gewenste stand te fixeren). Hoe dichterbij de begrenzer onder het rempedaal ligt, hoe meer weerstand u voelt bij het remmen.



Opmerking: als u de begrenzer heel dicht onder het rempedaal afstelt, wordt het mogelijk lastig om de maximale kalibratiewaarde te bereiken. Mocht dit het geval zijn:

- * Trap het rempedaal langzaam maar heel stevig in om de maximale waarde te bereiken (ga indien nodig even heel kort (een seconde) op het pedaal staan) en laat dan het pedaal weer omhoog komen, of
- * Zet de conische begrenzer iets verder weg van de arm van het rempedaal.

Informatie met betrekking tot kopersgarantie

Wereldwijd garandeert Guillemot Corporation S.A., het statutair adres gevestigd aan de Place du Granier, B.P. 97143, 35571 Chantepie, Frankrijk, (hierna te noemen "Guillemot") aan de koper dat dit Thrustmaster-product vrij zal zijn van materiaal- en fabricagefouten gedurende een garantieperiode gelijk aan de tijd maximaal vereist om een restitutie/vervanging voor dit product te claimen. In landen van de Europese Unie komt dit overeen met een periode van twee (2) jaar vanaf het moment van levering van het Thrustmaster-product. In andere landen komt de garantieperiode overeen met de tijd maximaal vereist om een restitutie/vervanging voor dit Thrustmaster-product te claimen zoals wettelijk is vastgelegd in het land waarin de koper woonachtig was op de datum van aankoop van het Thrustmaster-product. Indien een dergelijk claimrecht niet wettelijk is vastgelegd in het betreffende land, geldt een garantieperiode van één (1) jaar vanaf datum aankoop van het Thrustmaster-product.

Indien u in de garantieperiode een defect meent te constateren aan dit product, neem dan onmiddellijk contact op met Technical Support die u zal informeren over de te volgen procedure. Als het defect wordt bevestigd, dient het product te worden geretourneerd naar de plaats van aankoop (of een andere locatie die wordt opgegeven door Technical Support).

Binnen het gestelde van deze garantie wordt het defecte product van de koper gerepareerd of vervangen, zulks ter beoordeling van Technical Support. Indien het Thrustmaster-product tijdens de garantieperiode is onderworpen aan een dergelijk herstel, wordt elke periode van ten minste zeven (7) dagen waarin het product niet in gebruik is, opgeteld bij de resterende garantieperiode (deze periode loopt vanaf de datum van verzoek van de consument voor interventie of vanaf de datum waarop het product in kwestie beschikbaar is gesteld voor herstel als de datum waarop het product ter beschikking wordt gesteld voor herstel later is dan de datum van het verzoek om interventie). Indien toegestaan door van toepassing zijnde wetgeving, beperkt de volledige aansprakelijkheid van Guillemot en haar dochterondernemingen (inclusief de aansprakelijkheid voor vervolgschade) zich tot het repareren of vervangen van het Thrustmaster-product. Indien toegestaan door van toepassing zijnde wetgeving, wijst Guillemot elke garantie af met betrekking tot verhandelbaarheid of geschiktheid voor enig doel.

Deze garantie is niet van kracht: (1) indien het product aangepast, geopend of gewijzigd is, of beschadigd is ten gevolge van oneigenlijk of onvoorzichtig gebruik, verwaarlozing, een ongeluk, normale slijtage, of enige andere oorzaak die niet gerelateerd is aan een materiaal- of fabricagefout (inclusief maar niet beperkt tot het combineren van het Thrustmaster-product met enig ongeschikt element waaronder in het bijzonder voedingsadapters, oplaadbare batterijen, opladers of enig ander element niet geleverd door Guillemot voor dit product); (2) als het product is gebruikt voor enig ander doel dan thuisgebruik, zoals maar niet exclusief een professioneel of commercieel doel (bijvoorbeeld game rooms, training, wedstrijden); (3) indien u zich niet houdt aan de instructies zoals verstrekt door Technical Support; (4) op software die onder een specifieke garantie valt; (5) op verbruiksartikelen (elementen die tijdens de levensduur van het product worden vervangen zoals bijvoorbeeld batterijen of pads van een headset of koptelefoon); (6) op accessoires (zoals bijvoorbeeld kabels, behuizingen, hoesjes, etui's, draagtassen of polsbandjes); (7) indien het product werd verkocht op een openbare veiling.

Deze garantie is niet overdraagbaar.

De wettelijke rechten van de koper die in zijn/haar land van toepassing zijn op de verkoop van consumentproducten worden op generlei wijze door deze garantie beperkt.

Aanvullende garantiebepalingen

Gedurende de garantieperiode zal Guillemot in principe nooit reserveonderdelen leveren omdat Technical Support de enige partij is die bevoegd is een Thrustmaster-product te openen en/of te herstellen (met uitzondering van een herstelprocedure die de klant door Technical Support gevraagd wordt uit te voeren met behulp van schriftelijke instructies – omdat deze procedure bijvoorbeeld eenvoudig is en het herstelproces niet vertrouwelijk is – en door het verstrekken aan de consument van de benodigde onderdelen, indien van toepassing).

Gezien de innovatiecycli en om haar knowhow en handelsgeheimen te beschermen, zal Guillemot in principe nooit een herstelbeschrijving of reserveonderdelen verstrekken voor een Thrustmaster-product waarvan de garantieperiode is verstreken.

Aansprakelijkheid

Indien toegestaan door van toepassing zijnde wetgeving, wijzen Guillemot Corporation S.A. (hierna te noemen "Guillemot") en haar dochterondernemingen alle aansprakelijkheid af voor enige schade veroorzaakt door één van de volgende oorzaken: (1) indien het product aangepast, geopend of gewijzigd is; (2) de montage-instructies niet zijn opgevolgd; (3) oneigenlijk of onvoorzichtig gebruik, verwaarlozing, een ongeluk (bijvoorbeeld stoten); (4) normale slijtage; (5) het gebruik van het product voor enig ander doel dan thuisgebruik, zoals maar niet exclusief een professioneel of commercieel doel (bijvoorbeeld game rooms, training, wedstrijden). Indien toegestaan onder van toepassing zijnde wetgeving, wijzen Guillemot en haar dochterondernemingen alle aansprakelijkheid af voor enige schade aan dit product niet gerelateerd aan een materiaal- of fabricagefout (inclusief maar niet beperkt tot enige schade direct of indirect veroorzaakt door enige software, of door het combineren van het Thrustmaster-product met enig ongeschikt element waaronder in het bijzonder voedingsadapters, oplaadbare batterijen, opladers of enig ander element niet geleverd door Guillemot voor dit product).

THRUSTMASTER®

TECHNISCHE ONDERSTEUNING

<http://support.thrustmaster.com>



COPYRIGHT

© 2016 Guillemot Corporation S.A. Alle rechten voorbehouden. Thrustmaster® is een geregistreerd handelsmerk van Guillemot Corporation S.A. Alle andere handelsmerken zijn eigendom van de respectieve eigenaren. Afbeeldingen zijn niet bindend. Inhoud, ontwerp en specificaties kunnen zonder kennisgeving vooraf worden gewijzigd en kunnen per land verschillen. Geproduceerd in China.

AANBEVELINGEN VOOR DE BESCHERMING VAN HET MILIEU



In de Europese Unie: Gooi dit product na het einde van de levensduur niet weg met het normale afval, maar breng het naar het door uw gemeente aangewezen inzamelpunt voor elektrische en/of computerapparatuur.

Ter herinnering is hiertoe op het product, de gebruikshandleiding of de verpakking een symbool aangebracht.

De meeste materialen kunnen worden gerecycled. Door recycling en andere methoden voor verantwoorde verwerking van afgedankte elektrische en elektronische apparaten kunt u een belangrijke bijdrage leveren aan de bescherming van het milieu.

Neem contact op met uw gemeente voor informatie over een inzamelpunt bij u in de buurt.

In alle andere landen: houd u aan de plaatselijk milieuwetgeving voor elektrische en elektronische apparaten.

Bewaar deze informatie. De kleuren en decoraties kunnen variëren.

Plastic bevestigingen en hechtmaterialen moeten van het product worden verwijderd voordat het wordt gebruikt.

www.thrustmaster.com

**Alleen van toepassing in de EU en Turkije*

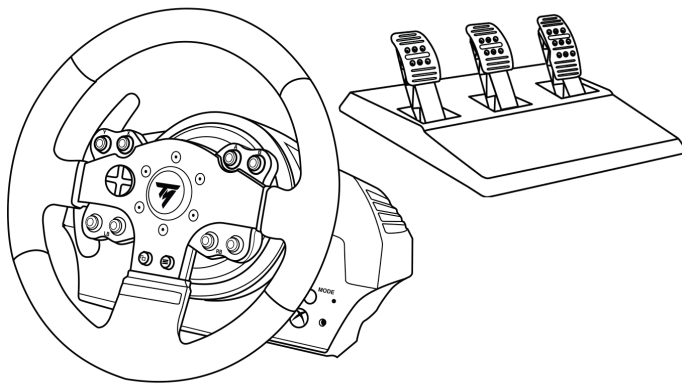


TMX PRO

FORCE FEEDBACK

PER XBOX ONE E PC

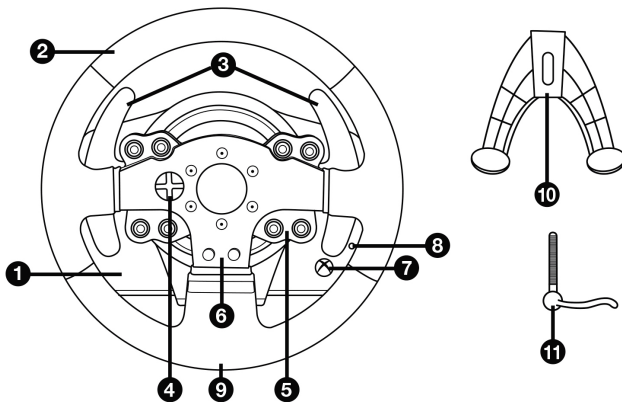
Manuale d'uso



ATTENZIONE:

Per far sì che il tuo TMX Force Feedback funzioni correttamente con i giochi per Xbox One e PC, potrebbe rendersi necessario installare gli aggiornamenti automatici dei giochi (disponibili nel momento in cui il tuo sistema (Xbox One o PC) viene collegato a internet).

CARATTERISTICHE TECNICHE



1 Base TMX

2 Volante

3 2 leve del cambio sequenziali (Up e Down)

4 D-Pad multidirezionale

5 Pulsanti azione

6 Pulsanti azione

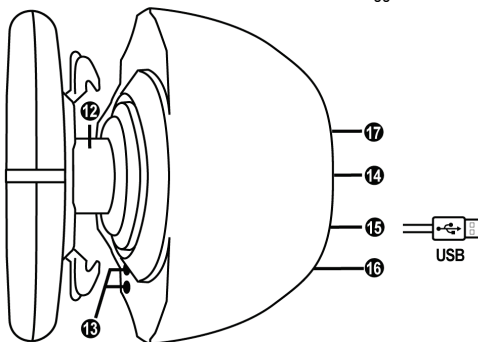
7 Pulsante Xbox Guide + Led bianco

8 Pulsante MODE + led Rosso/Verde

9 Ampio foro filettato (per sistema di aggancio e vite di fissaggio)

10 Sistema di aggancio

11 Vite di fissaggio in metallo



12 Asse dello sterzo

13 Pulsante Xbox Guide + Led bianco

14 Cavo di alimentazione
o connettore di alimentazione
(*varia da una nazione all'altra*)

15 Cavo USB e connettore del volante

16 Connettore per cambio
(*cambio venduto separatamente*)

17 Connettore pedaliera

ATTENZIONE

Prima di utilizzare questo prodotto, ti invitiamo a leggere con attenzione il presente documento e a conservare quest'ultimo in caso avessi bisogno di consultarlo nuovamente.



Attenzione – Shock elettrico

- * Conserva questo prodotto in un luogo asciutto e non esporlo alla polvere o alla luce del sole.
- * Non torcere e non tirare i connettori e i cavi.
- * Non versare liquidi sul prodotto o sui relativi connettori.
- * Non cortocircuitare il prodotto.
- * Non smontare questo prodotto; non gettarlo nel fuoco e non esporlo alle alte temperature.
- * Non usare un altro cavo di alimentazione oltre a quello fornito assieme al tuo volante.
- * Non utilizzare il cavo di alimentazione qualora quest'ultimo o i connettori dovessero risultare danneggiati, divisi o rotti.
- * Assicurati che il cavo di alimentazione si ben inserisca in una presa di corrente e correttamente connesso al connettore presente nella parte posteriore della base del volante.
- * Non aprire il volante: all'interno non vi sono componenti utili all'utente. Qualunque riparazione dovrà essere effettuata dal produttore, da un suo rappresentante autorizzato o da un tecnico qualificato.
- * Usa unicamente sistemi di fissaggio/ accessori indicati dal produttore.
- * Qualora il volante non dovesse funzionare correttamente (se dovesse generare un qualunque suono inusuale, calore o odori), smetti immediatamente di utilizzarlo, scollega il cavo di alimentazione dal relativo connettore e scollega tutti gli altri cavi.
- * Se pensi di non dover utilizzare il volante per un lungo periodo di tempo, scollega l'alimentatore dalla presa di corrente.
- * Utilizza unicamente l'alimentatore fornito assieme al tuo volante (in caso di una sorgente di alimentazione esterna).
- * La presa elettrica deve trovarsi nei pressi delle apparecchiature e deve risultare facilmente accessibile.



Prese d'aria

Accertati di non ostruire nessuna delle prese d'aria presenti nella base del volante. per una ventilazione ottimale, attieniti alle seguenti indicazioni:

- * Colloca la base ad almeno 10cm di distanza dal muro.
- * Non collocare la base in uno spazio angusto.
- * Non coprire la base.
- * Non lasciare che la polvere penetri nella prese d'aria.



Per motivi di sicurezza, non utilizzare mai la pedaliera a piedi nudi o indossando solamente i calzini.

THRUSTMASTER® DECLINA OGNI RESPONSABILITÀ IN CASO DI INFORTUNI DERIVANTI DALL'USO DELLA PEDALIERA SENZA SCARPE.



Attenzione – Infortuni derivanti dal force feedback e dai movimenti ripetuti

Giocare con un volante force-feedback potrebbe causare dolori muscolari o articolari. Per evitare qualsiasi problema:

- * Evita di giocare per lunghi periodi di tempo.
- * Prenditi 10-15 minuti di pausa per ogni ora di gioco.
- * Qualora dovessi avvertire fatica o dolore a mani, polsi, braccia, piedi o gambe, smetti di giocare e riposati per alcune ore prima di ricominciare a giocare.



Attenzione – Infortuni derivanti dal force feedback e dai movimenti ripetuti (seguito)

- * Qualora i sintomi o il dolore sopradescritti dovessero persistere anche quando ricominci a giocare, smetti di giocare e consulta il tuo medico.
- * Tenere lontano dalla portata dei bambini.
- * Nei giochi, mantieni sempre le mani sul volante in posizione corretta, senza mai lasciarlo andare completamente.
- * Mentre giochi, non infilare mai le tue mani o le tue dita sotto ai pedali o in una qualunque posizione nei pressi della pedaliera.
- * Durante la calibrazione e mentre giochi, non infilare mai la tua mano o il tuo braccio attraverso le aperture del volante.
- * Assicurati che la base del volante sia ben fissata, così come indicato dalle istruzioni nel presente manuale.

PRODOTTO PESANTE



Prodotto maneggiabile solo da utenti con un'età minima di 14 anni



Fai attenzione a non far cadere il prodotto addosso a te o a chiunque altro!

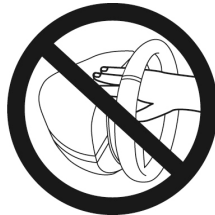
SEMPRE



MAI



MAI



INSTALLARE IL VOLANTE SU XBOX ONE

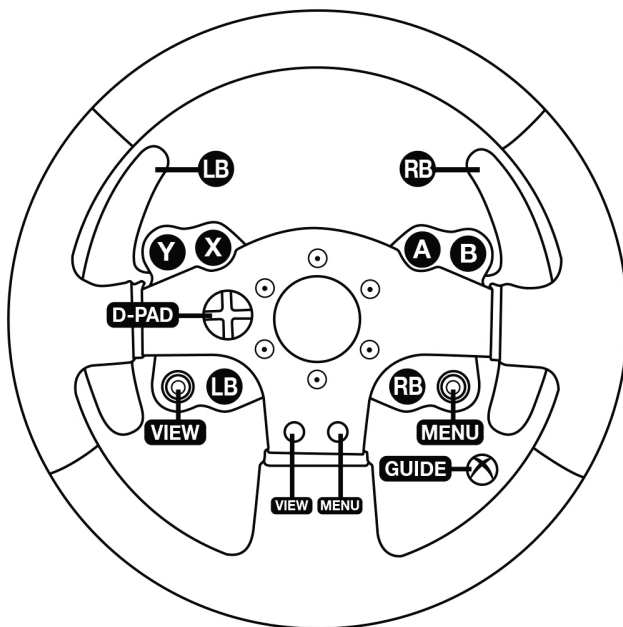
1. Collega la pedaliera al connettore (17) presente nella parte posteriore della base del volante.
2. Collega il cavo di alimentazione al connettore (14) presente nella parte posteriore della base del volante.
3. Collega il cavo di alimentazione a una presa di corrente, rispettando le indicazioni sul voltaggio elettrico.
4. Collega il connettore USB del volante (15) ad una delle porte USB del sistema.
5. Una volta acceso il tuo sistema, il tuo volante si calibrerà automaticamente.

Ora sei pronto/a per giocare!

- L'elenco dei giochi per Xbox One compatibili con il TMX Force Feedback è disponibile sul sito: <http://support.thrustmaster.com> (clicca su Volanti / TMX Force Feedback).

Questo elenco viene aggiornato regolarmente.

MAPPATURA SU XBOX ONE



CONFIGURAZIONE DEL VOLANTE PER PC

1. Vai sul sito <http://support.thrustmaster.com> per scaricare i driver e il software Force Feedback per PC. Clicca su Volanti / TMX Force Feedback, dopodiché seleziona Driver.

2. Una volta completato il download, avvia l'installazione e segui le istruzioni che appariranno sullo schermo per collegare al computer il connettore USB del tuo volante e completare l'installazione.

3. Una volta completata l'installazione, clicca su Fine e riavvia il tuo computer.

4. Seleziona Start / Tutti i programmi / Thrustmaster / FFB Racing Wheel / Pannello di Controllo per aprire la finestra Controller di Gioco.

Nella finestra Controller di Gioco comparirà il volante col nome Thrustmaster TMX Racing Wheel con associato lo stato di OK.

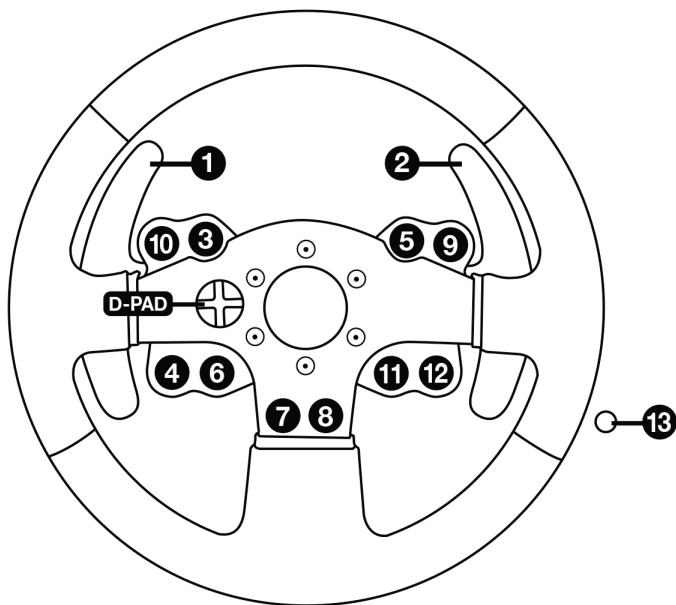
5. Clicca su Proprietà per configurare il tuo volante nel pannello di controllo di TMX Force Feedback:

- Scheda Test Input: permette di testare e visualizzare i pulsanti azione, i pulsanti direzionali, gli assi di volante e pedali, oltre a regolare l'angolo di rotazione del volante nei tuoi giochi per PC.
- Scheda Test Forze: consente di testare 12 effetti force feedback.
- Scheda Impostazioni Guadagno: permette di regolare la potenza degli effetti force feedback nei tuoi giochi per PC.

Ora sei pronto per giocare!

Note generali:

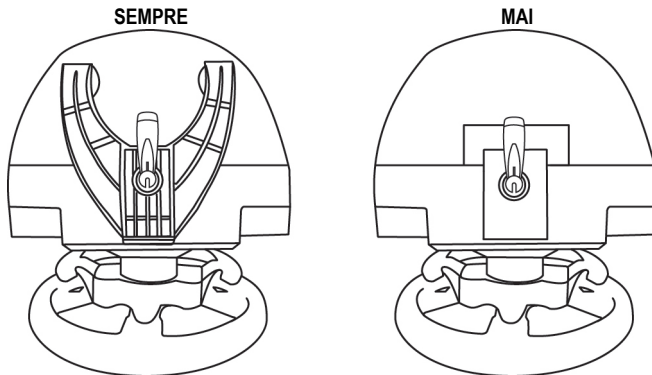
- Su PC, prima di avviare il gioco, clicca su OK per chiudere la finestra Controller di Gioco.
- Su PC, i parametri impostati nella finestra Periferiche di Gioco verranno salvate solo sul tuo computer (di conseguenza, non avranno alcun effetto su Xbox One).
- La versione del firmware del tuo volante viene visualizzata nell'angolo in alto a destra nelle schede del pannello di controllo del TMX Force Feedback.



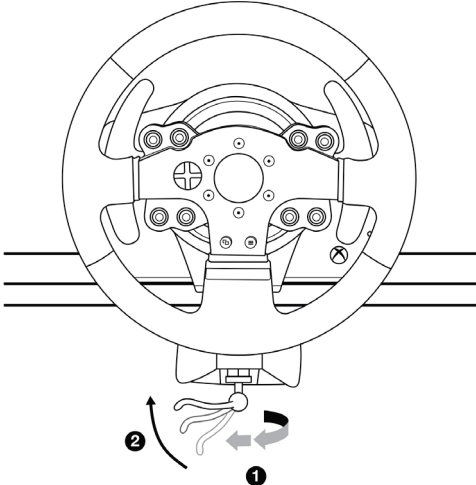
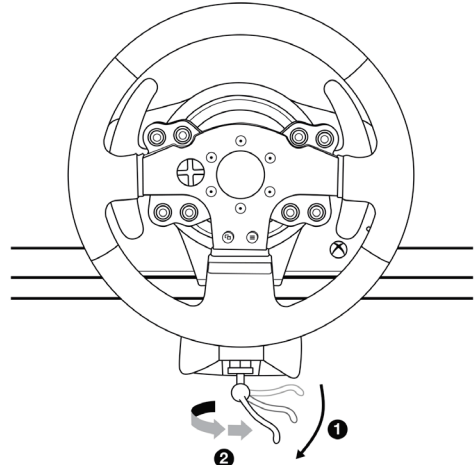
FISSARE IL VOLANTE

Fissare il volante a un tavolo o a una scrivania

1. Colloca il volante su un tavolo o su qualsiasi altra superficie piana, orizzontale e stabile.
2. Inserisci la vite di fissaggio (11) nel sistema di aggancio (10), dopodiché blocca la periferica ruotando la vite in senso antiorario, in modo tale che questa penetri nell'ampio foro filettato (9) presente nella parte inferiore del volante, finché il volante non risulti perfettamente stabile.



ATTENZIONE: Non stringere mai la vite da sola, senza il sistema di aggancio!
(Ciò potrebbe danneggiare il volante.)

AGGANCIO / RIMOZIONE	DIREZIONE
<p>Per stringere: Gira la vite in senso antiorario</p>	
<p>Per allentare: Gira la vite in senso orario</p>	

CALIBRAZIONE AUTOMATICA DI VOLANTE

Il volante si calibra automaticamente nel momento in cui colleghi il volante alla rete elettrica e colleghi il connettore USB del volante al sistema Xbox One.

Durante questa fase, il volante si muoverà rapidamente a destra e a sinistra, coprendo un angolo di 900 gradi, prima di fermarsi in posizione centrale.

ATTENZIONE: Non toccare mai il volante durante la fase di auto-calibrazione!

(Ciò potrebbe causare un'errata calibrazione e/o infortuni personali.)

PULSANTE MODE E SPIA LUMINOSA (8)

Pulsante MODE per la pedaliera

Il TMX Force Feedback è compatibile anche con pedaliera Thrustmaster a 3 pedali (*vendute separatamente*); in questo modo potrai scambiare elettronicamente fra loro i pedali di acceleratore e frizione.

Per far questo, non devi far altro che tenere premuto il pulsante MODE (8) per 2 secondi.

Lo stato dell'attivazione dello scambio tra i pedali viene salvato nella memoria interna del volante.

PEDALI ACCELERATORE E FRIZIONE	Colore del led MODE (8)
NORMALI	ROSSO
SCAMBIATI	VERDE



ATTENZIONE:

Durante l'uso della pedaliera, assicurati che il led resti sempre acceso in rosso, altrimenti il pedale dell'acceleratore non funzionerà correttamente.

Altri consigli per il pulsante MODE

Per saperne di più sul pulsante e sul led MODE, consulta il sito <http://support.thrustmaster.com>; clicca su **Volanti / TMX Force Feedback**, quindi scegli **Manuale** o **FAQ**.

AGGIORNARE IL FIRMWARE DEL TUO VOLANTE

Il firmware presente nella base del tuo volante può essere aggiornato ad una versione più recente, per apportare migliorie al prodotto.

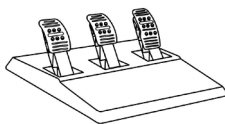
Per visualizzare la versione del firmware attualmente presente nel tuo volante e, se necessario, aggiornarla: su PC, collegati al sito <http://support.thrustmaster.com>. Clicca su **Volanti / TMX Force Feedback**, quindi scegli **Firmware** e segui le istruzioni sulla procedura di download e installazione.

FILE DI AIUTO E FAQ (NON INCLUSI NEL PRESENTE MANUALE)

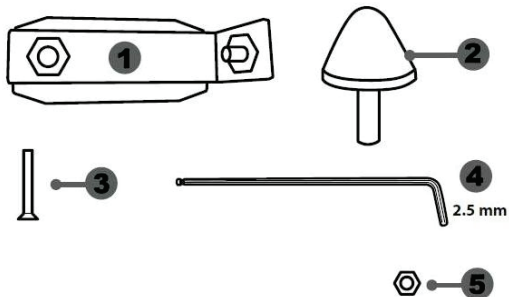
Visita il sito <http://support.thrustmaster.com> e clicca su **Volanti / TMX Force Feedback**, dopodiché scegli **Manuale** o **FAQ**.

Qualora il tuo volante e la tua pedaliera non funzionassero correttamente, o se la calibrazione dovesse apparirti errata:

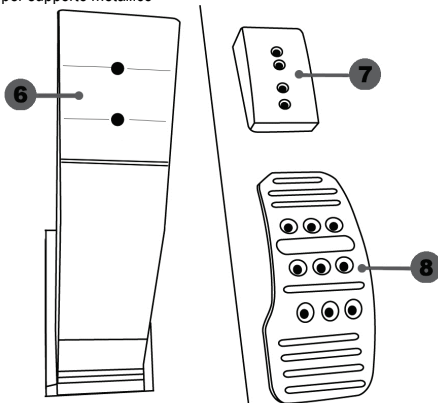
Spegni il tuo sistema, scollega completamente il tuo volante, ricollega tutti i cavi (compresi il cavo di alimentazione e la pedaliera), quindi riavvia il tuo sistema e il tuo gioco.



CARATTERISTICHE TECNICHE



- | | |
|--|--|
| <p>1 Supporto metallico per blocco conico
<i>(non preventivamente installato)</i></p> <p>2 Blocco conico</p> <p>3 Vite di fissaggio per supporto metallico</p> | <p>4 Chiave Allen da 2,5 mm (inclusa)</p> <p>5 Dado di regolazione della posizione del blocco conico</p> |
|--|--|



- | | |
|---|----------------------------------|
| <p>6 Asta del pedale</p> <p>7 Supporto copri-pedale in plastica</p> | <p>8 Copri-pedale in metallo</p> |
|---|----------------------------------|

ATTENZIONE

Prima di utilizzare questo prodotto, assicurati di leggere con attenzione il presente manuale, conservandolo per una futura consultazione.



Per ragioni di sicurezza, non utilizzare mai la pedaliera a piedi nudi o indossando unicamente dei calzini.
THRUSTMASTER® DECLINA OGNI RESPONSABILITÀ IN CASO DI INFORTUNIO DERIVANTE DALL'USO DELLA PEDALIERA SENZA SCARPE.



Attenzione – Rischio di schiacciamento durante le sessioni di gioco con la pedaliera

- * Mantieni la pedaliera fuori dalla portata dei bambini.
- * Durante le sessioni di gioco, non appoggiare mai le tue dita o i tuoi pollici sopra o vicino ai lati dei pedali.
- * Durante le sessioni di gioco, non appoggiare mai le tue dita o i tuoi pollici sopra o vicino alla base posteriore dei pedali.
- * Durante le sessioni di gioco, non appoggiare mai le tue dita o i tuoi pollici sopra o vicino alla base frontale dei pedali.

MAI



MAI



MAI



CALIBRAZIONE AUTOMATICA DEI PEDALI



IMPORTANTE:

- Per evitare problemi di calibrazione, non collegare o scollegare mai la base del volante quando questo è collegato alla PS3™ o alla PS4™, oppure durante le sessioni di gioco.
- = Prima di collegare il volante alla PS3™ o alla PS4™, collega sempre la pedaliera al volante.
- Dopo che il volante si sarà calibrato automaticamente e una volta avviato il gioco, i pedali si calibreranno automaticamente dopo essere stati premuti alcune volte.
- Per evitare problemi di calibrazione, non premere mai i pedali mentre il volante si sta auto-calibrando o mentre il tuo gioco si sta avviando.
- Se i pedali non dovessero funzionare correttamente o ti dovessero sembrare mal calibrati, spegni la tua console, scollega totalmente il volante, dopodiché ricollega tutti i cavi (compresi il cavo di alimentazione e il cavo della pedaliera), riaccendo la console e riavvia il tuo gioco.

FISSARE LA PEDALIERA A UN ABITACOLO

- Fissa la pedaliera utilizzando i piccoli fori per viti presenti nella parte inferiore della pedaliera.
- Avvita due viti M6 (non incluse) nella placca di supporto per la pedaliera del tuo abitacolo e nei due piccoli fori per viti presenti nella parte inferiore della pedaliera.

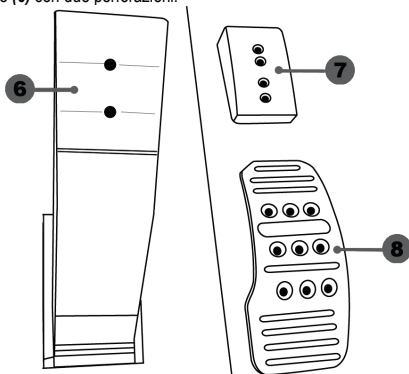
Importante: per non danneggiare le componenti interne della pedaliera, la lunghezza delle due viti M6 non deve superare lo spessore della placca di supporto per la pedaliera del tuo abitacolo aumentato di 10 mm.

I diagrammi delle configurazioni per gli abitacoli (per il posizionamento della base del volante e/o della pedaliera) sono disponibili sul sito <http://support.thrustmaster.com>; clicca su **Volanti / TMX Force Feedback**, quindi seleziona **Manuale** o **FAQ**.

REGOLAZIONE DELLA PEDALIERA

Ognuno dei tre pedali è dotato di:

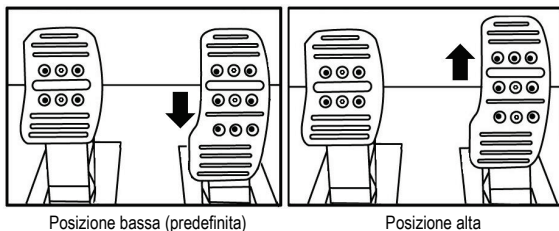
- Copri-pedale in metallo (8) multi-perforato (nove per l'acceleratore – sei per il freno – sei per la frizione).
- Un supporto copri-pedale in plastica (7) (posizionato tra la testa e l'asta del pedale) con quattro perforazioni.
- Un'asta del pedale (6) con due perforazioni.



ATTENZIONE: per evitare qualsiasi problema di calibrazione, prima di effettuare qualunque regolazione sulla tua pedaliera, assicurati di scollegare sempre il cavo USB del tuo volante.

Regolare l'ALTEZZA dell'acceleratore

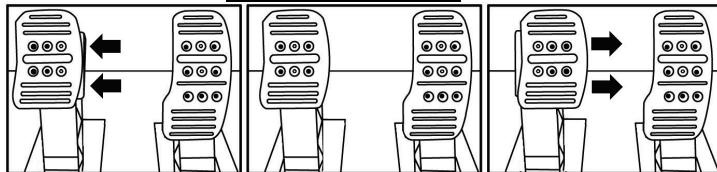
- Utilizzando l'acclusa chiave Allen da 2,5 mm (4), svita le due viti di fissaggio del copri-pedale in metallo (8) e del relativo supporto (7).
- Scegli la tua altezza preferita, dopodiché reinserisci e stringi nuovamente le viti, in modo tale che il copri-pedale in metallo (8) e il relativo supporto (7) siano saldamente fissati.



Regolare la DISTANZA fra i tre pedali

- Utilizzando l'acclusa chiave Allen da 2,5 mm (4), svita le due viti di fissaggio del copri-pedale in metallo (8) e del relativo supporto (7).
- Seleziona la tua posizione preferita (a sinistra, al centro, a destra), dopodiché reinserisci e stringi nuovamente le viti, in modo tale che il copri-pedale in metallo (8) e il relativo supporto (7) siano saldamente fissati.

Esempi relativi al pedale del freno:



Posizione a sinistra

Posizione centrale (predefinita)

Posizione a destra

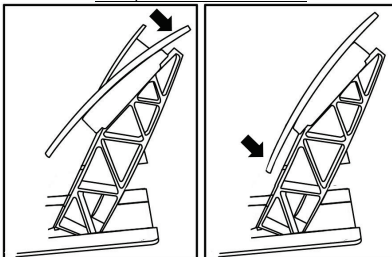
Numero di posizionamenti possibili per pedale:

- Tre per l'acceleratore
- Tre per il freno
- Tre per la frizione

Regolazione dell'INCLINAZIONE dei pedali

- Utilizzando l'acclusa chiave Allen da 2,5 mm (4), svita le due viti di fissaggio del copri-pedale in metallo (8) e del relativo supporto (7).
- Ruota il supporto copri-pedale in plastica (7) di 180°, dopodiché reinserisci e stringi nuovamente le viti, in modo tale che il copri-pedale in metallo (8) e il relativo supporto (7) siano saldamente fissati.

Esempi relativi all'acceleratore:



Posizione a minor inclinazione

Posizione a maggior inclinazione (predefinita)

Numero di inclinazioni possibili per pedale:

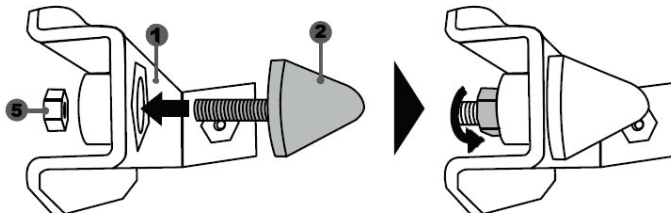
- Due per l'acceleratore
- Due per il freno
- Due per la frizione

Installare in blocco conico (“CONICAL RUBBER BRAKE” mod)

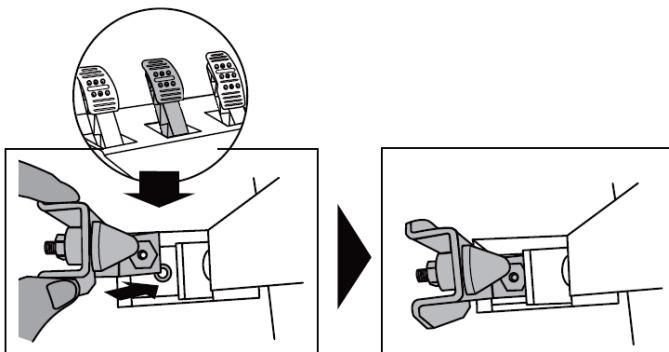
Questa modifica (o “mod”) non è essenziale e non risulta preventivamente installata. Ciò significa che il pedale del freno funziona perfettamente anche a mod non installato.

Questo mod ti permette di sperimentare differenti sensazioni e resistenze durante le frenate. Sta a te scegliere se installarlo o meno, a seconda delle tue preferenze.

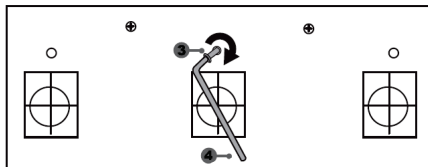
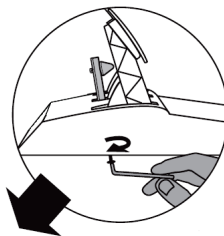
- Avvita il blocco conico (2) nel relativo supporto metallico (1).
- Nella parte posteriore (all’interno del foro filettato del blocco conico), avvita il dado per la regolazione della posizione (5).



- Posiziona l’unità dietro all’asta del pedale del freno.



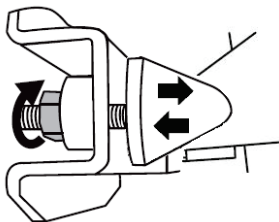
- Utilizzando l'acclusa chiave Allen da 2,5 mm (4), aggancia l'unità stringendo la vite di fissaggio (3) nel piccolo foro centrale filettato, presente nella parte inferiore della pedaliera.



Il mod "CONICAL RUBBER BRAKE" è ora installato!

Regolazione dell'AMPIEZZA della corsa e della FORZA resistente del pedale del freno

Svitando leggermente il dado (5), puoi aumentare ulteriormente la resistenza del pedale del freno, avvicinando il blocco conico (2) alla parte posteriore dell'asta del pedale (se necessario, per stringere nuovamente il dado e mantenerlo nella posizione desiderata, usa una chiave del 14 o delle pinze). Quanto più il blocco conico sarà vicino alla parte posteriore dell'asta del pedale, tanto maggiore risulterà la forza resistente.



Nota: se il blocco conico si trova molto vicino alla parte posteriore dell'asta del pedale del freno, potresti avere delle difficoltà nel raggiungere il massimo valore di calibrazione. Se così fosse:

- * Lentamente, premi con molta forza il pedale del freno, affinché raggiunga il valore massimo (se necessario, sali in piedi sul pedale brevemente – solo per un attimo), dopodiché allenta la pressione; oppure
- * Porta il blocco conico un po' più distante dal retro dell'asta del pedale del freno.

Informazioni sulla garanzia al consumatore

A livello mondiale, Guillemot Corporation S.A., avente sede legale in Place du Granier, B.P. 97143, 35571 Chantepie, Francia (d'ora in avanti "Guillemot") garantisce al consumatore che il presente prodotto Thrustmaster sarà privo di difetti relativi ai materiali e alla fabbricazione, per un periodo di garanzia corrispondente al limite temporale stabilito per la presentazione di un reclamo riguardante la conformità del prodotto in questione. Nei paesi della Comunità Europea, tale periodo equivale a due (2) anni a partire dalla consegna del prodotto Thrustmaster. In altri paesi, la durata della garanzia corrisponde al limite temporale stabilito per la presentazione di un reclamo riguardante la conformità del prodotto Thrustmaster in base alle leggi applicabili nel paese in cui il consumatore risiedeva alla data di acquisto del prodotto Thrustmaster (qualora nel paese in questione non esistesse alcuna norma a riguardo, il periodo di garanzia corrisponderà a un (1) anno a partire dalla data originale di acquisto del prodotto Thrustmaster).

Qualora, durante il periodo di garanzia, il prodotto dovesse apparire difettoso, contatti immediatamente l'Assistenza Tecnica, che le indicherà la procedura da seguire. Qualora il difetto dovesse essere confermato, il prodotto dovrà essere riportato al luogo di acquisto (o qualsiasi altro luogo indicato dall'Assistenza Tecnica).

Nel contesto della presente garanzia, il prodotto difettoso di proprietà del consumatore potrà essere sostituito o reso nuovamente funzionante, a discrezione dell'Assistenza Tecnica. Se, durante il periodo coperto dalla garanzia, il prodotto Thrustmaster fosse oggetto di tale rimessa in operatività, alla rimanente durata della garanzia dovrà essere aggiunto un periodo di almeno sette (7) giorni, durante il quale il prodotto risulta non utilizzabile (tale periodo intercorre dalla data della richiesta di intervento da parte del consumatore o dalla data in cui il prodotto in questione è reso disponibile per la rimessa in operatività, questo nel caso in cui tale data sia successiva alla data di richiesta di intervento). Qualora le leggi applicabili in materia lo consentano, la totale responsabilità di Guillemot e delle sue controllate (compresi i danni conseguenti) si limita alla rimessa in operatività o alla sostituzione del prodotto Thrustmaster. Qualora le leggi applicabili in materia lo consentano, Guillemot declina ogni garanzia sulla commerciabilità o la conformità a finalità particolari.

La presente garanzia non potrà essere applicata: (1) se il prodotto è stato modificato, aperto, alterato o ha subito danni derivanti da un uso inappropriato o non autorizzato, da negligenza, da un incidente, dalla semplice usura, o da qualsiasi altra causa non riconducibile a difetti nei materiali o nell'assemblaggio (compresi, ma non i soli, prodotti Thrustmaster combinati con elementi inadatti, tra cui, in particolare, batterie ricaricabili, caricatori o qualsiasi altro elemento non fornito da Guillemot per questo prodotto); (2) nel caso in cui il prodotto sia stato utilizzato per qualsiasi altro scopo al di fuori dell'uso domestico, comprese finalità professionali o commerciali (esempio: sale giochi, allenamenti, concorsi); (3) in caso di mancato rispetto delle istruzioni fornite dall'Assistenza Tecnica; (4) in caso di software, ovvero software soggetto a una specifica garanzia; (5) ai materiali di consumo (elementi che richiedono la loro sostituzione al termine della loro durata di esercizio come, ad esempio, batterie di tipo convenzionale o cuscinetti protettivi per auricolari o cuffie); (6) agli accessori (ad esempio, cavi, custodie, borsette, borse, cinturini); (7) se il prodotto è stato venduto ad un'asta pubblica.

La presente garanzia non è trasferibile.

I diritti legali del consumatore, stabiliti dalle leggi vigenti in materia di vendita di beni di consumo nel relativo paese, non vengono intaccati dalla presente garanzia.

Disposizioni addizionali sulla garanzia

Per tutta la durata della garanzia, in linea di principio, Guillemot non fornirà alcuna parte di ricambio, in quanto la sola Assistenza Tecnica è la parte autorizzata ad aprire e/o rimettere in funzionamento tutti i prodotti Thrustmaster (fatta eccezione per eventuali procedure di rimessa in operatività che l'Assistenza Tecnica potrebbe richiedere al consumatore, attraverso istruzioni scritte – viste, ad esempio, la semplicità e la mancanza di riservatezza della procedura di rimessa in operatività – e fornendo al consumatore le necessarie parti di ricambio, se ve ne fosse l'esigenza).

Considerando i propri cicli di innovazione e per proteggere il proprio know-how e i propri segreti commerciali, in linea di principio, Guillemot non fornirà alcuna notifica o parte di ricambio finalizzata alla rimessa in attività di un qualunque prodotto Thrustmaster il cui periodo di garanzia risultasse scaduto.

Responsabilità

Qualora le leggi applicabili in materia lo consentano, Guillemot Corporation S.A. (d'ora in avanti "Guillemot") e le sue controllate declinano ogni responsabilità per qualsiasi danno derivante da almeno una delle seguenti condizioni: (1) il prodotto è stato modificato, aperto o alterato; (2) mancato rispetto delle istruzioni di installazione; (3) uso inappropriato o non permesso, negligenza, incidente (come, ad esempio, un impatto); (4) semplice usura; (5) utilizzo del prodotto per qualsiasi altro scopo al di fuori dell'uso domestico, comprese finalità professionali o commerciali (esempio: sale giochi, allenamenti, concorsi). Qualora le leggi applicabili in materia lo consentano, Guillemot e le sue controllate declinano ogni responsabilità per qualsiasi danno non riconducibile a difetti nei materiali o nella fabbricazione del prodotto (compresi, ma non i soli, potenziali danni causati direttamente o indirettamente da un qualunque software, oppure dall'uso del prodotto Thrustmaster in combinazione con elementi inadatti, tra cui, in particolare, batterie ricaricabili, caricatori o qualsiasi altro elemento non fornito da Guillemot per questo prodotto).

THRUSTMASTER®

ASSISTENZA TECNICA

<http://support.thrustmaster.com>



COPYRIGHT

© 2016 Guillemot Corporation S.A. Tutti i diritti riservati. Thrustmaster® è un marchio registrato di proprietà di Guillemot Corporation S.A. Tutti gli altri marchi appartengono ai legittimi proprietari. Illustrazioni escluse. I contenuti, i design e le caratteristiche possono essere oggetto di modifiche senza preavviso e possono variare da un Paese all'altro. Fabbricato in Cina.

RACCOMANDAZIONI SULLA TUTELA DELL'AMBIENTE



* Nell'Unione Europea: Al termine della sua vita operativa, questo prodotto non dovrebbe essere gettato assieme ai comuni rifiuti, ma dovrebbe essere portato ad un apposito punto di raccolta destinato al riciclaggio del Materiale Elettrico ed Elettronico.

Ciò è confermato dal simbolo riportato sul prodotto, nel manuale d'uso o sulla confezione.

A seconda delle proprie caratteristiche, i materiali potrebbero essere riciclati.

Tramite il riciclaggio ed altre forme di trattamento del Materiale Elettrico ed Elettronico, è possibile fornire un importante contributo per la salvaguardia dell'ambiente.

Per conoscere i punti di raccolta più vicini a te, contatta le autorità locali competenti.

In tutti gli altri Paesi: per favore, rispetta le leggi locali sul riciclo dei materiali elettrici ed elettronici.

Informazioni da conservare. I colori e le decorazioni possono variare.

I ganci di plastica e gli adesivi dovrebbero essere rimossi dal prodotto prima che quest'ultimo venga utilizzato.

www.thrustmaster.com

**Valido solo in UE e Turchia*

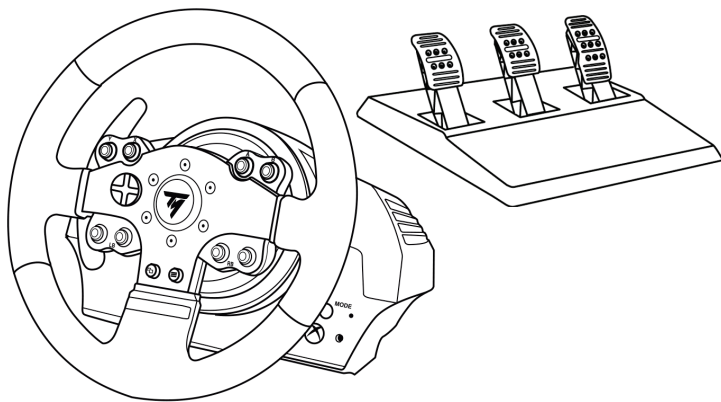


TMX PRO

FORCE FEEDBACK

PARA XBOX ONE Y PC

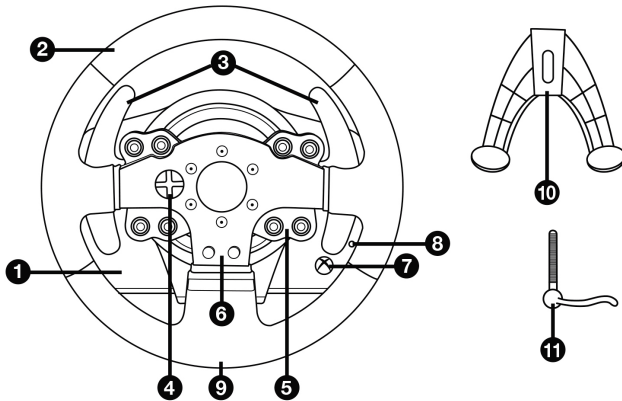
Manual del usuario



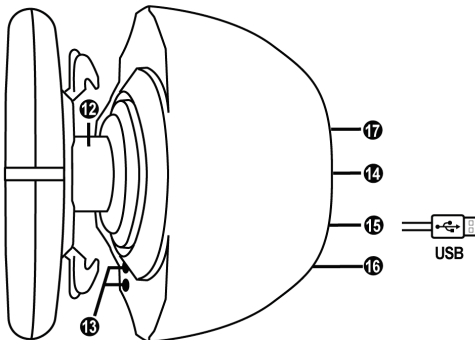
ADVERTENCIA:

Para asegurarte de que tu volante de carreras TMX funcione correctamente con juegos para Xbox One o PC, puede que tengas que instalar las actualizaciones automáticas de los juegos
(disponibles cuando tu sistema (Xbox One o PC) está conectado a Internet).

CARACTERÍSTICAS TÉCNICAS



- | | |
|--|---|
| 1 Base de TMX | 7 Botón Xbox Guide + luz indicadora blanca |
| 2 Volante | 8 Botón MODE + luz indicadora roja/verde |
| 3 2 levas de cambio secuenciales (Up y Down) | 9 Agujero roscado grande (para sistema de fijación y tornillo de apriete) |
| 4 D-Pad multidireccional | 10 Sistema de fijación |
| 5 Botones de acción | 11 Tornillo de fijación metálico |
| 6 Botones de acción | |



- | | |
|--|---|
| 12 Eje de dirección | 15 Conector y cable USB del volante de carreras |
| 13 Botón Xbox Guide + luz indicadora blanca | 16 Conector de caja de cambios (caja de cambios vendida por separado) |
| 14 Cable de alimentación o Conector de fuente de alimentación (tipo A o B) (varía de un país a otro) | 17 Conector de los pedales |

ADVERTENCIAS

Antes de utilizar este producto, lee detenidamente este manual y consévalo para consultarlo posteriormente.



Advertencia – Descarga eléctrica

- * Mantén el producto en un lugar seco y no lo expongas al polvo ni a la luz directa del sol.
- * No retuerzas ni tires de los conectores ni de los cables.
- * No derrames líquidos en el producto ni en sus conectores.
- * No cortocircuites el producto.
- * No desmontes nunca el producto ni lo lances al fuego ni lo expongas a temperaturas elevadas.
- * No utilices otro cable de fuente de alimentación distinto del proporcionado con el volante de carreras.
- * No utilices el cable de fuente de alimentación si el cable o los conectores están dañados, partidos o rotos.
- * Asegúrate de que el cable de fuente de alimentación esté enchufado correctamente en un enchufe eléctrico, y conectado correctamente al conector de la parte trasera de la base del volante de carreras.
- * No abras el volante de carreras: en el interior no hay piezas que el usuario pueda arreglar. Las reparaciones las debe realizar el fabricante, su representante autorizado o un técnico cualificado.
- * Utiliza únicamente sistemas de fijación/accesorios especificados por el fabricante.
- * Si el volante de carreras se comporta de forma anormal (si emite sonidos anormales, calor u olores), deja de utilizarlo inmediatamente, desenchufa el cable de fuente de alimentación del enchufe eléctrico y desconecta los demás cables.
- * Si no vas a utilizar el volante de carreras durante un período de tiempo prolongado, desenchufa su cable de fuente de alimentación del enchufe eléctrico.
- * Utiliza únicamente la fuente de alimentación suministrada con el volante de carreras (si se trata de una fuente de alimentación externa).
- * El enchufe eléctrico debe estar situado cerca del equipo y ser fácilmente accesible.



Rejillas de ventilación

Asegúrate de no bloquear ninguna de las rejillas de ventilación de la base del volante de carreras. Para obtener una ventilación óptima, respeta los puntos siguientes:

- * Coloca la base del volante al menos a 10 cm de distancia de las paredes.
- * No coloques la base en espacios estrechos.
- * No tapes la base.
- * No dejes que se acumule polvo en las rejillas de ventilación.



Por razones de seguridad, no uses nunca los pedales con los pies descalzos o únicamente con calcetines en los pies.

THRUSTMASTER® DECLINA TODA RESPONSABILIDAD EN CASO DE LESIONES PRODUCTO DEL USO DE LOS PEDALES SIN CALZADO.



Advertencia – Lesiones debidas al Force Feedback y los movimientos repetitivos

Jugar con un volante con Force Feedback puede producir dolor en las articulaciones o en los músculos. Para evitar problemas:

- * Evita jugar durante períodos prolongados.
- * Haz descansos de 10 a 15 minutos por cada hora de juego.
- * Si sientes fatiga o dolor en las manos, muñecas, brazos, pies o piernas, deja de jugar y descansa durante unas horas antes de volver a jugar.



Advertencia – Lesiones debidas a Force Feedback y los movimientos repetitivos (continuación)

- * Si los síntomas o el dolor indicados anteriormente persisten cuando vuelves a jugar, deja de hacerlo y consulta al médico.
- * Mantén el volante fuera del alcance de los niños.
- * Durante el juego, mantén siempre ambas manos colocadas correctamente en el volante sin dejarlas completamente caídas.
- * Mientras estés jugando, no coloques nunca las manos ni los dedos debajo de los pedales, ni tampoco cerca de ellos.
- * Durante la calibración y el juego, no metas nunca las manos ni los brazos a través de las aberturas del volante de carreras.
- * Asegúrate de que la base del volante de carreras esté fijada correctamente, según las instrucciones de este manual.

PRODUCTO PESADO



El producto sólo puede ser manejado por usuarios de 14 años de edad como mínimo



¡Ten cuidado de no dejar caer el producto encima de ti o de otra persona!

SIEMPRE



NUNCA



NUNCA

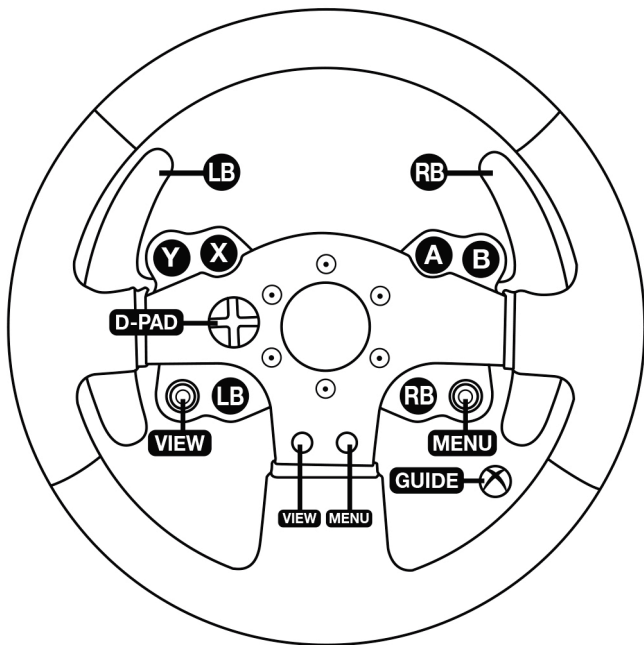


CONFIGURACIÓN DEL VOLANTE DE CARRERAS PARA XBOX ONE

1. Conecta los pedales al conector (17) situado en la parte trasera de la base del volante de carreras.
 2. Conecta el cable de fuente de alimentación al conector (14) situado en la parte trasera de la base del volante de carreras.
 3. Enchufa el cable de fuente de alimentación a un enchufe eléctrico con las mismas especificaciones de tensión.
 4. Conecta el conector USB del volante de carreras (15) a uno de los puertos USB del sistema.
 5. Una vez encendido el sistema, el volante de carreras se calibrará solo automáticamente.
- ¡Ya estás preparado para jugar!**

- La lista de juegos de Xbox One compatibles con el **TMX Force Feedback** está disponible en: <http://support.thrustmaster.com> (haz clic en **Wheels / TMX Force Feedback**). Esta lista se actualiza regularmente.

ASIGNACIÓN PARA XBOX ONE



CONFIGURACIÓN DEL VOLANTE DE CARRERAS PARA PC

1. Dirígete a <http://support.thrustmaster.com> para descargar los controladores y el software de Force Feedback para PC. Clic en Wheels / TMX Force Feedback y, a continuación, selecciona Controladore.

2. Una vez terminada la descarga, inicia la instalación y sigue las instrucciones en pantalla para conectar la clavija USB del volante al ordenador y terminar la instalación.

3. Una vez completada la instalación, haz clic en Terminar y reinicia el ordenador.

4. Selecciona Inicio / Todos los programas / Thrustmaster / FFB Racing Wheel / Panel de control para abrir la ventana Dispositivos de juego.

La ventana Dispositivos de juego muestra el nombre del volante de carreras Thrustmaster TMX Racing Wheel con el estado OK.

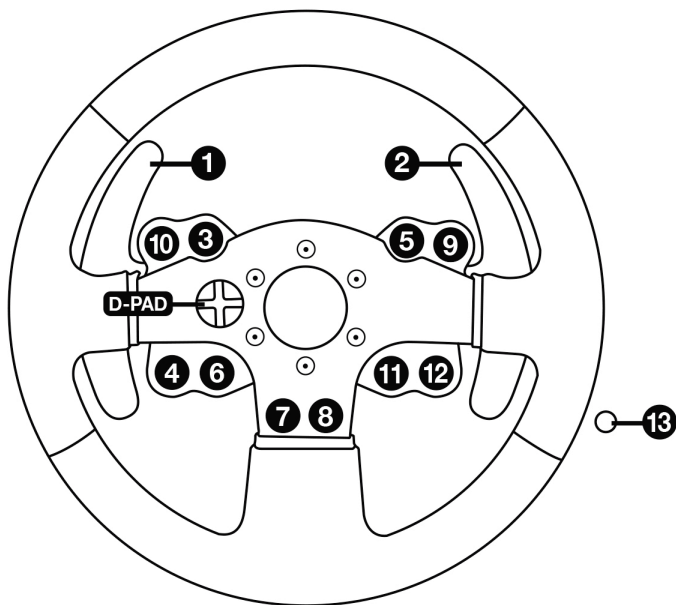
5. Haz clic en Propiedades para configurar el volante en el panel de control del TMX Force Feedback:

- Pestaña Test Input: permite probar y ver los botones de acción, botones de dirección, ejes del volante y los pedales, y ajustar el ángulo de rotación del volante en los juegos de PC.
- Pestaña Test Forces: permite probar los 12 efectos Force Feedback.
- Pestaña Gain Settings: permite ajustar la potencia de los efectos Force Feedback en los juegos de PC.

¡Ya estás preparado para jugar!

Notas generales:

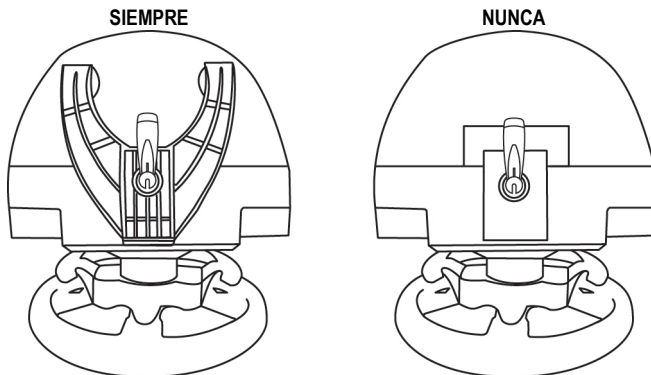
- En PC, haz clic en Aceptar para cerrar la ventana Dispositivos de juego antes de ejecutar el juego.
- En PC, los ajustes realizados en la ventana Dispositivos de juego sólo se guardarán en el ordenador (por lo tanto no tendrán efecto en Xbox One).
- La versión del firmware del volante se muestra en la esquina superior derecha de las pestañas del panel de control del TMX Force Feedback.



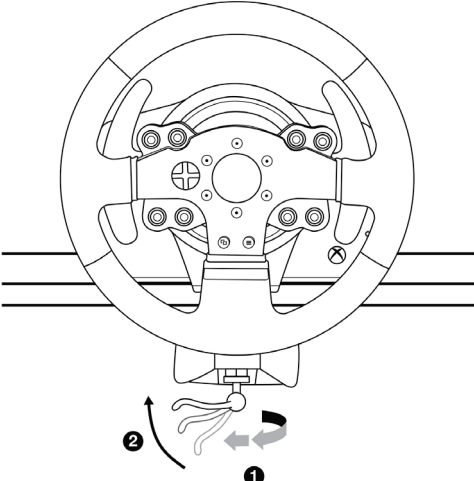
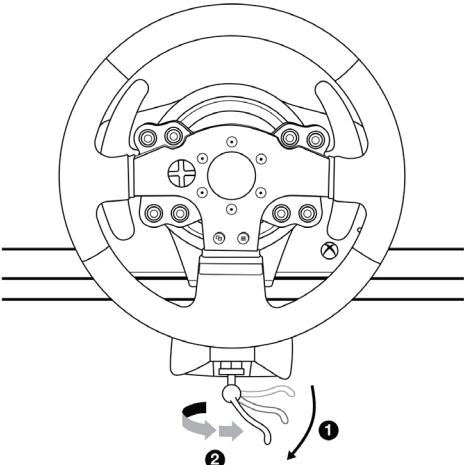
FIJACIÓN DEL VOLANTE DE CARRERAS

Fijación del volante de carreras a una mesa o un escritorio

1. Coloca el volante de carreras en una mesa o en otra superficie horizontal, plana y estable.
2. Inserta el tornillo de sujeción (11) en el sistema de fijación (10) y, a continuación, aprieta el dispositivo girando el tornillo a la izquierda, para que entre en el agujero roscado grande (9) situado debajo del volante de carreras, hasta que el volante esté perfectamente estable.



ADVERTENCIA: ¡No aprietes nunca el tornillo solo, sin el sistema de fijación en su sitio!
(De hacerlo así, se podría dañar el volante).

COLOCACIÓN / RETIRADA	INDICACIÓN
<p>Para apretar:</p> <p><i>Gira el tornillo hacia la izquierda</i></p>	
<p>Para aflojar:</p> <p><i>Gira el tornillo hacia la derecha</i></p>	

CALIBRACIÓN AUTOMÁTICA DEL VOLANTE

El volante de carreras se calibra solo automáticamente cuando enchufas el volante de carreras a la red eléctrica y conectas el conector USB del volante de carreras al sistema Xbox One.

Durante esta fase, el volante de carreras girará rápidamente hacia la izquierda y la derecha, cubriendo un ángulo de 900 grados, antes de detenerse en el centro.

ADVERTENCIA: ¡No toques nunca el volante de carreras durante la fase de autocalibración!

(Esto podría provocar una calibración incorrecta o lesiones personales).

BOTÓN MODE Y LUZ INDICADORA (8)

Botón MODE de los pedales

Con el TMX Force Feedback se incluyen 2 pedales.

Al utilizar estos pedales, asegúrate de que la luz indicadora permanezca en rojo o el pedal del acelerador no funcionará correctamente.

PEDALES DEL ACELERADOR Y EL EMBRAGUE	Color de la luz indicadora MODE (8)
NORMAL	ROJO
INTERCAMBIADOS	VERDE



ADVERTENCIA:

¡Con el juego de pedales T3PA incluido, asegúrate de que la luz indicadora permanezca encendida en rojo! (o de lo contrario el pedal del acelerador no funcionará correctamente)

Otros consejos para el botón MODE

Para obtener más información sobre el botón MODE y la luz indicadora, visita <http://support.thrustmaster.com>. Haz clic en **Volantes de carreras / TMX Force Feedback** y luego selecciona **Manual** o **PF**.

ACTUALIZACIÓN DEL FIRMWARE DEL VOLANTE DE CARRERAS

El firmware incluido en la base del volante de carreras se puede actualizar a una versión más reciente que incluya mejoras del producto.

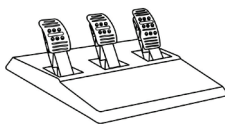
Para mostrar la versión de firmware que está usando actualmente tu volante de carreras y actualizarla si es necesario: en PC, visita <http://support.thrustmaster.com>. Clic en **Volantes de carreras / TMX Force Feedback** y, a continuación, selecciona **Firmware** y sigue las instrucciones que describen el procedimiento de descarga e instalación.

ARCHIVOS DE AYUDA Y FAQ (NO INCLUIDOS EN ESTE MANUAL)

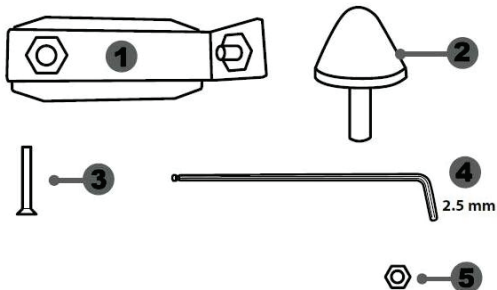
Visita <http://support.thrustmaster.com>. Haz clic en **Volantes de carreras / TMX Force Feedback**. A continuación, selecciona **Manual** o **PF**.

Si el volante de carreras y/o los pedales no funcionan correctamente, o si la calibración parece incorrecta:

Apaga la consola o el PC y desconecta por completo el volante de carreras. A continuación, vuelve a conectar todos los cables (incluso el cable de fuente de alimentación y los pedales) y reinicia la consola o el PC y el juego.



CARACTERÍSTICAS TÉCNICAS



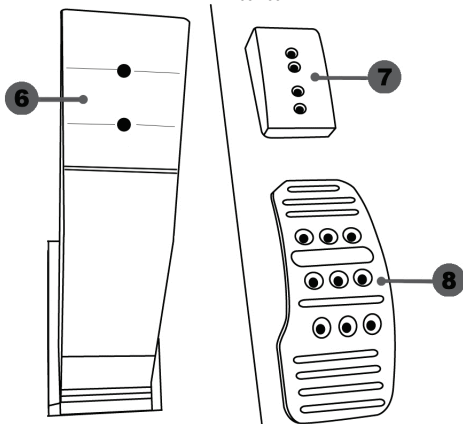
1 Soporte metálico para tope cónico
(no está instalado de forma
predeterminada)

2 Tope cónico

3 Tornillo de sujeción de soporte metálico

4 Llave Allen de 2,5 mm (incluida)

5 Tuerca de ajuste de posición para tope cónico



6 Brazo del pedal

7 Soporte de cabeza de plástico

8 Cabeza del pedal metálica

AVISO

Antes de utilizar este producto, asegúrate de leer detenidamente estas instrucciones y guárdalas para poder consultarlas en el futuro.



Por motivos de seguridad, no utilizar nunca los pedales con los pies desnudos o únicamente con calcetines en los pies.
THRUSTMASTER® DECLINA TODA RESPONSABILIDAD EN CASO DE LESIONES PRODUCTO DEL USO DE LOS PEDALES SIN CALZADO.



Advertencia – Peligro de pillarse con los pedales durante las sesiones de juego

- * Mantén los pedales fuera del alcance de los niños.
- * Durante las sesiones de juego, no pongas nunca los dedos en los lados de los pedales ni cerca de ellos.
- * Durante las sesiones de juego, no pongas nunca los dedos en la base trasera de los pedales ni cerca de ella.
- * Durante las sesiones de juego, no pongas nunca los dedos en la base delantera de los pedales ni cerca de ella.

NUNCA



NUNCA



NUNCA



CALIBRACIÓN AUTOMÁTICA DE LOS PEDALES



IMPORTANTE:

- No conectes ni desconectes nunca los pedales de la base del volante cuando el volante esté conectado a la consola o al PC, ni durante las sesiones de juego, para evitar problemas de calibración.
- Conecta siempre los pedales al volante antes de conectar el volante a la consola o al PC.
- Una vez que el volante se ha autocalibrado y el juego ha comenzado, los pedales se autocalibran automáticamente tras presionarlos varias veces.
- No presiones nunca los pedales cuando el volante se está autocalibrando o cuando el juego está arrancando, para evitar problemas de calibración.
- Si los pedales no están funcionando correctamente o parece que no están calibrados adecuadamente, apaga la consola, desconecta por completo el volante y, a continuación, vuelve a conectar todos los cables (incluyendo el cable de la fuente de alimentación y el de los pedales), vuelve a encender la consola y reinicia el juego.

FIJACIÓN DE LOS PEDALES A UNA CABINA

- Fija los pedales con las roscas de tornillo pequeñas situadas en la cara inferior de los pedales.
- Atornilla dos tornillos M6 (no incluidos) en la placa de soporte de los pedales en la cabina y en las dos roscas de tornillo pequeñas situadas en la cara inferior de los pedales.

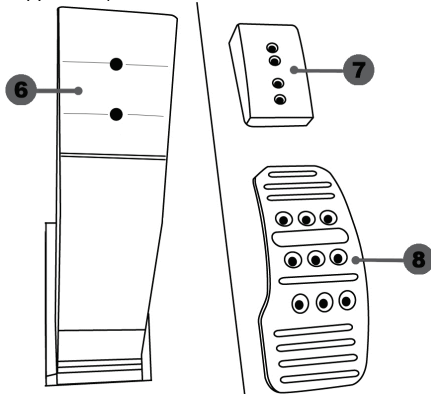
Importante: La longitud de los dos tornillos M6 no debe superar el grosor de la placa de soporte de los pedales en la cabina más 10 mm adicionales, para evitar dañar los componentes internos de los pedales.

Los diagramas de diseño para cabinas (para colocar la base del volante de carreras y/o los pedales) están disponibles en <http://support.thrustmaster.com>: haz clic en **Volantes de carreras / TMX Force Feedback** y luego selecciona **Manual** o **PF**.

AJUSTE DE LOS PEDALES

Cada uno de los tres pedales incluye:

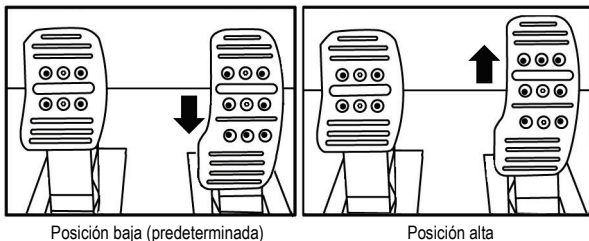
- Una cabeza metálica (8) con varias perforaciones (nueve para el acelerador, seis para el freno y seis para el embrague).
- Un soporte de cabeza de plástico (7) (situado entre la cabeza y el brazo) con cuatro perforaciones.
- Un brazo del pedal (6) con dos perforaciones.



ATENCIÓN: Para evitar problemas de calibración, asegúrate de desconectar siempre el cable USB del volante antes de hacer ajustes en los pedales.

Ajuste de la ALTURA del pedal del acelerador

- Con la llave Allen de 2,5 mm incluida (4), desatornilla los dos tornillos que sujetan la cabeza metálica (8) y su soporte (7) en su sitio.
- Selecciona la posición de altura que prefieras y luego vuelve a colocar y apretar los tornillos de forma que la cabeza metálica (8) y su soporte (7) queden sujetos firmemente en su sitio.



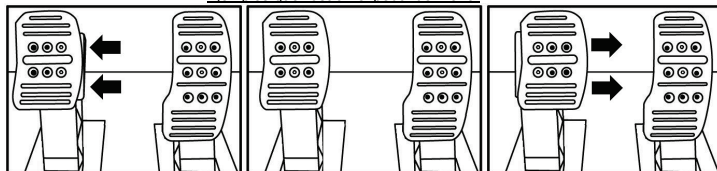
Posición baja (predeterminada)

Posición alta

Ajuste del ESPACIADO de los tres pedales

- Con la llave Allen de 2,5 mm incluida (4), desatornilla los dos tornillos que sujetan la cabeza metálica (8) y su soporte (7) en su sitio.
- Selecciona la posición que prefieras (a la izquierda, centrada o a la derecha) y, a continuación, vuelve a colocar y apretar los tornillos de forma que la cabeza metálica (8) y su soporte (7) queden sujetos firmemente en su sitio.

Ejemplos que ilustran el pedal del freno:



Posición izquierda

Posición centrada (predeterminada)

Posición derecha

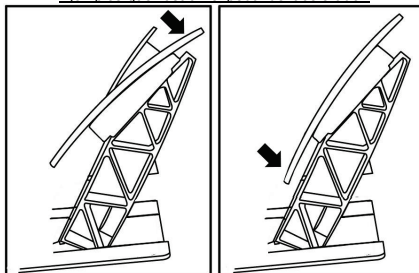
Número de posiciones de espaciado posibles por pedal:

- Tres para el pedal del acelerador
- Tres para el pedal del freno
- Tres para el pedal del embrague

Ajuste de la INCLINACIÓN de los pedales

- Con la llave Allen de 2,5 mm incluida (4), desatornilla los dos tornillos que sujetan la cabeza metálica (8) y su soporte (7) en su sitio.
- Gira el soporte de cabeza de plástico (7) 180° y, a continuación, vuelve a colocar y apretar los tornillos de forma que la cabeza metálica (8) y su soporte (7) queden sujetos firmemente.

Ejemplos que ilustran el pedal del acelerador:



Posición menos inclinada

Posición más inclinada (predeterminada)

Número de posiciones de inclinación posibles por pedal:

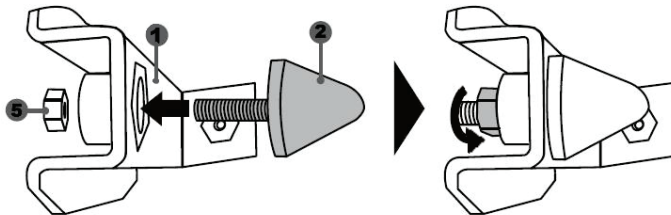
- Dos para el pedal del acelerador
- Dos para el pedal del freno
- Dos para el pedal del embrague

Instalación del tope cónico (mod "CONICAL RUBBER BRAKE")

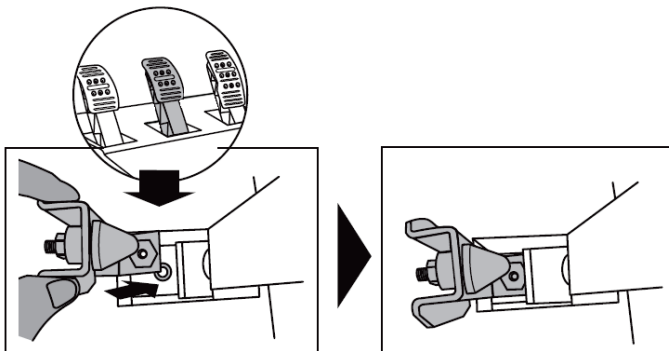
Esta modificación (o "mod") no es esencial y no se instala de forma predeterminada. Esto significa que el pedal del freno funciona perfectamente aunque no esté instalado el mod.

Este mod te permite experimentar una resistencia y sensación diferentes al frenar. Depende de ti instalarlo o no, en función de tus preferencias.

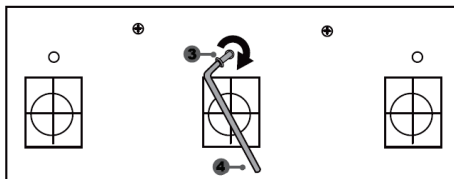
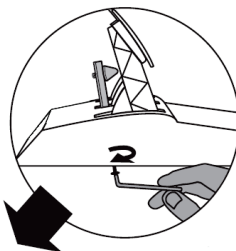
- Atornilla el tope cónico (2) en su soporte metálico (1).
- Atornilla la tuerca de ajuste de posición (5) en la parte inferior (en la rosca de tornillo del tope cónico).



- Coloca la unidad en la parte trasera del brazo del pedal del freno.



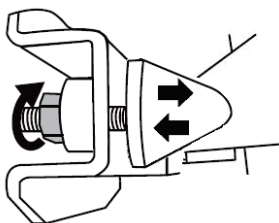
- Con la llave Allen de 2,5 mm incluida (4), fija la unidad con el tornillo de sujeción (3) y la rosca de tornillo central pequeña situada en la cara inferior de los pedales.



¡Ya está instalado el mod "CONICAL RUBBER BRAKE"!

Ajuste del RANGO de desplazamiento y la RESISTENCIA del pedal del freno

Si desatornillas ligeramente la tuerca (5), puedes reforzar más la resistencia del pedal del freno moviendo el tope cónico (2) más cerca de la parte trasera del brazo del pedal (si es necesario, usa una llave de 14 mm o unos alicates para volver a apretar la tuerca y mantener la posición seleccionada). Cuanto más cerca esté colocado el tope cónico de la parte trasera del brazo del pedal, mayor será la resistencia.



Nota: Cuando el tope cónico está muy cerca de la parte trasera del brazo del pedal del freno, puedes experimentar dificultades para alcanzar el valor de calibración máximo. Si eso sucediera:

- * Lentamente, presiona muy fuerte el pedal del freno para que alcance el valor máximo (si es necesario, descansa muy brevemente sobre el pedal, sólo durante un segundo) y, a continuación, libera la presión; o por el contrario
- * Desplaza el tope cónico un poco más lejos de la parte trasera del brazo del pedal del freno.

INFORMACIÓN DE GARANTÍA AL CONSUMIDOR

En todo el mundo, Guillemot Corporation S.A., cuyo domicilio legal se encuentra en Place du Granier, B.P. 97143, 35571 Chantepie, Francia (en lo sucesivo "Guillemot") garantiza al consumidor que este producto de Thrustmaster estará libre de defectos de materiales y mano de obra, durante un período de garantía que corresponde al límite de tiempo para interponer una acción legal referida a la conformidad en relación con este producto. En los países de la Unión Europea, esto corresponde a un período de dos (2) años a partir de la entrega del producto de Thrustmaster. En otros países, el período de garantía corresponde al límite de tiempo para interponer una acción legal referida a la conformidad en relación con este producto de Thrustmaster según las leyes aplicables del país en el que el consumidor estuviese domiciliado en la fecha de compra del producto de Thrustmaster (si no existiese una acción similar en el país correspondiente, entonces el período de garantía será de un (1) año a partir de la fecha de compra original del producto de Thrustmaster).

Si el producto resultase defectuoso durante el período de garantía, hay que ponerse en contacto inmediatamente con el Soporte Técnico, que indicará el procedimiento a seguir. Si se confirma el defecto, el producto debe devolverse a su lugar de compra (o a cualquier otra ubicación indicada por el Soporte Técnico).

Dentro del contexto de esta garantía, el producto defectuoso del consumidor será sustituido o restaurado su funcionamiento correcto. Si, durante el período de garantía, el producto de Thrustmaster fuese sometido a dicho reacondicionamiento, cualquier período de cómo mínimo siete (7) días durante el que el producto no se pueda usar se añadirá al período de garantía restante (este período va desde la fecha de petición de intervención del consumidor o desde la fecha en la que el producto se entrega para el reacondicionamiento, si la fecha en la que el producto se entrega para el reacondicionamiento fuese posterior a la fecha de la petición de intervención). Si la ley aplicable lo permite, toda la responsabilidad de Guillemot y sus filiales (incluso por daños resultantes) se limita a la restauración del funcionamiento correcto o la sustitución del producto de Thrustmaster. Si la ley aplicable lo permite, Guillemot renuncia a todas las garantías de comerciabilidad o adecuación para un propósito determinado.

Esta garantía no se aplicará: (1) si el producto ha sido modificado, abierto, alterado o ha sufrido daños como resultado de un uso inapropiado o abuso, negligencia, accidente, desgaste normal, o cualquier otra causa no relacionada con un defecto de materiales o fabricación (incluyendo, pero no de forma exclusiva, la combinación del producto de Thrustmaster con cualquier elemento no adecuado, incluyendo en particular fuentes de alimentación, baterías recargables, cargadores o cualquier otro elemento no suministrado por Guillemot para este producto); (2) si el producto se ha empleado para otro uso distinto del doméstico, incluyendo fines profesionales o comerciales (salones de juego, entrenamiento, competiciones, por ejemplo); (3) en caso de incumplimiento de las instrucciones proporcionadas por el Soporte Técnico; (4) a software, es decir software sujeto a una garantía específica; (5) a consumibles (elementos que se tienen que reemplazar a lo largo de la vida del producto: por ejemplo, baterías desechables o almohadillas para auriculares de audio); (6) a accesorios (por ejemplo, cables, cajas, bolsas, bolsos o muñequeras); (7) si el producto se ha vendido en una subasta pública.

Esta garantía no es transferible.

Los derechos legales del consumidor en relación con las leyes aplicables a la venta de productos de consumo de su país no se ven afectados por esta garantía.

Provisiones de garantía adicionales

Durante el período de garantía, Guillemot no proporcionará, en principio, ninguna pieza de repuesto, ya que el Soporte Técnico es el único autorizado para abrir y/o reacondicionar los productos de Thrustmaster (con la excepción de los procedimientos de reacondicionamiento que el Soporte técnico puede solicitar que lleve a cabo el consumidor, mediante instrucciones por escrito – por ejemplo, debido a la simplicidad y la falta de confidencialidad del proceso de reacondicionamiento – y suministrando al consumidor las piezas de repuesto necesarias, si hiciere falta).

Debido a sus ciclos de innovación y para proteger su know-how y secretos comerciales, Guillemot no proporcionará, en principio, ninguna pieza de repuesto ni instrucciones de reacondicionamiento para los productos de Thrustmaster cuyo período de garantía haya vencido.

En los Estados Unidos de América y en Canadá, esta garantía está limitada al mecanismo interno del producto y al alojamiento externo. En ningún caso, Guillemot ni sus filiales serán responsables ante terceros por daños resultantes o fortuitos resultado del incumplimiento de cualquier garantía expresa o implícita. En algunos estados o provincias no se permite la limitación de la duración de una garantía implícita ni la exclusión o limitación de responsabilidad por daños resultantes o fortuitos, por lo que las limitaciones o exclusiones anteriores pueden no ser aplicables. Esta garantía ofrece derechos legales específicos al consumidor, que también puede tener otros derechos que pueden variar de un estado a otro o de una provincia a otra.

Responsabilidad

Si la ley aplicable lo permite, Guillemot Corporation S.A. (en lo sucesivo "Guillemot") y sus filiales renuncian a toda responsabilidad por los daños causados por uno o más de los siguientes motivos: (1) el producto ha sido modificado, abierto o alterado; (2) incumplimiento de las instrucciones de montaje; (3) uso inapropiado o abuso, negligencia, accidente (un impacto, por ejemplo); (4) desgaste normal; (5) el producto se ha empleado para otro uso distinto del doméstico, incluyendo fines profesionales o comerciales (salones de juego, entrenamiento, competiciones, por ejemplo). Si la ley aplicable lo permite, Guillemot y sus filiales renuncian a toda responsabilidad por los daños no relacionados con defectos de materiales o fabricación en relación con el producto (incluyendo, pero no de forma exclusiva, los daños causados de forma directa o indirecta por cualquier software, o por combinar el producto de Thrustmaster con cualquier elemento no adecuado, incluyendo en particular fuentes de alimentación, baterías recargables, cargadores o cualquier otro elemento no suministrado por Guillemot para este producto).

THRUSTMASTER®

SOPORTE TÉCNICO

<http://support.thrustmaster.com>



COPYRIGHT

© 2016 Guillemot Corporation S.A. Todos los derechos reservados. Thrustmaster® es una marca registrada de Guillemot Corporation S.A. Todas las demás marcas son propiedad de sus respectivos dueños. Ilustraciones no definitivas. El contenido, la concepción y las especificaciones son susceptibles de cambiar sin previo aviso y varían según el país. Fabricado en China.

RECOMENDACIÓN DE PROTECCIÓN AMBIENTAL



* En la Unión Europea: Al terminar su vida útil, este producto no debe tirarse en un contenedor de basuras estándar, sino que debe dejarse en un punto de recogida de desechos eléctricos y equipamiento electrónico para ser reciclado. Esto viene confirmado por el símbolo que se encuentra en el producto, manual del usuario o embalaje.

Dependiendo de sus características, los materiales pueden reciclarse. Mediante el reciclaje y otras formas de procesamiento de los desechos eléctricos y el equipamiento electrónico puedes contribuir de forma significativa a ayudar a proteger el medio ambiente.

Contacta con las autoridades locales para más información sobre el punto de recogida más cercano. Para los demás países: cumple las leyes locales sobre reciclaje de equipos eléctricos y electrónicos.

Esta información debe conservarse. Los colores y motivos decorativos pueden variar. Los adhesivos y los cierres de plástico se deben quitar del producto antes de utilizarlo.

www.thrustmaster.com

**Aplicable únicamente a la UE y Turquía*

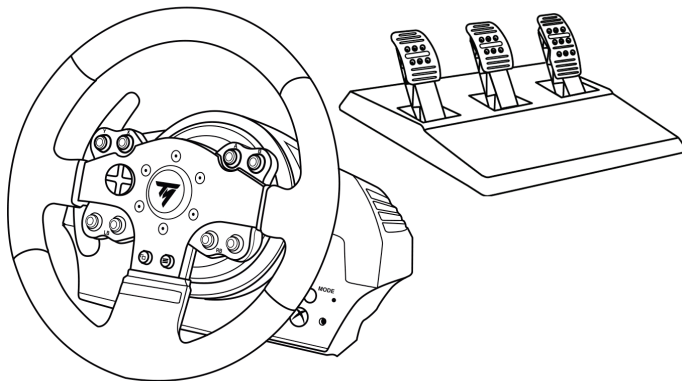


TMX PRO

FORCE FEEDBACK

PARA XBOX ONE E PC

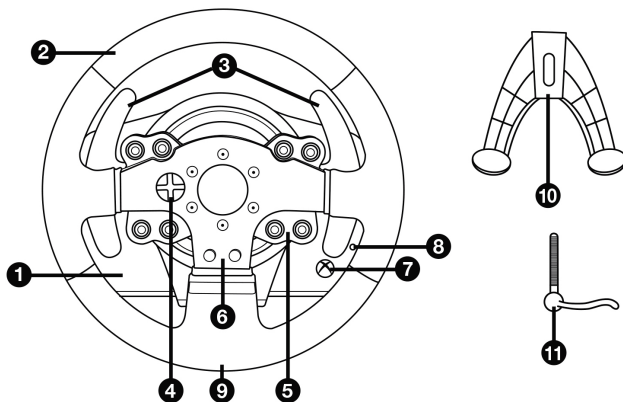
Manual do Utilizador



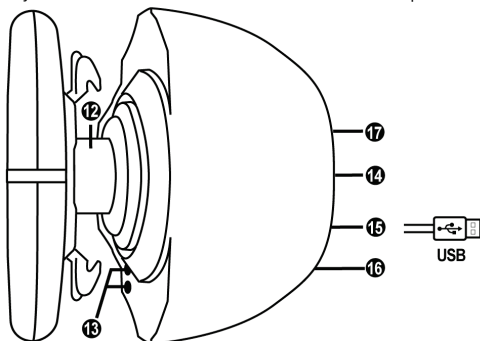
ATENÇÃO:

Para garantir que o seu volante TMX funciona corretamente com jogos para Xbox One ou PC, poderá ser-lhe pedido para instalar as atualizações automáticas dos jogos (*disponível quando o sistema (Xbox One ou PC) está ligado à Internet*).

CARACTERÍSTICAS TÉCNICAS



- | | |
|---|--|
| 1 Base do TMX | 7 Botão Xbox Guide + Luz indicadora branca |
| 2 Volante | 8 Botão MODE + Luz indicadora vermelha/verde |
| 3 2 pás de mudança de velocidades sequenciais (Up e Down) | 9 Furo roscado grande (para o sistema de fixação e parafuso de aperto) |
| 4 D-Pad multidirecional | 10 Sistema de fixação |
| 5 Botões de ações | 11 Parafuso de aperto de metal |
| 6 Botões de ações | |



- | | |
|--|--|
| 12 Eixo de direção | 15 Cabo e conector USB do volante |
| 13 Botão Xbox Guide + Luz indicadora branca | 16 Conector da caixa de velocidades (caixa de velocidades vendida à parte) |
| 14 Cabo de alimentação ou Conector de alimentação (tipo A ou B) (varia consoante o país) | 17 Conector do conjunto de pedais |

AVISOS

Antes de utilizar este produto, leia atentamente este manual e guarde-o para posterior consulta.



Atenção – Choque elétrico

- * Guarde o produto num local seco e não o exponha ao pó nem à luz do sol.
- * Não torça nem puxe os conectores e os cabos.
- * Não derrame líquidos sobre o produto ou os respetivos conectores.
- * Não provoque um curto-circuito no produto.
- * Nunca desmonte o produto, não o atire para o fogo nem o exponha a temperaturas elevadas.
- * Não utilize um cabo de alimentação diferente do fornecido com o volante.
- * Não utilize o cabo de alimentação se o cabo ou os conectores estiverem danificados, fendidos ou partidos.
- * Certifique-se de que o cabo de alimentação está corretamente ligado a uma tomada elétrica, assim como ao conector situado na parte posterior da base do volante.
- * Não abra o volante: não contém peças utilizáveis pelo utilizador no interior. Todas as reparações devem ser realizadas pelo fabricante, pelo seu representante autorizado ou por um técnico qualificado.
- * Utilize apenas sistemas de fixação/acessórios especificados pelo fabricante.
- * Se o volante estiver a funcionar de forma anormal (se emite quaisquer sons, calor ou cheiros anormais), pare imediatamente de utilizá-lo, desligue o cabo de alimentação da tomada e desligue os outros cabos.
- * Se não utilizar o volante durante um longo período de tempo, desligue o respetivo cabo de alimentação da tomada elétrica.
- * Utilize apenas a fonte de alimentação fornecida com o seu volante (na eventualidade de uma fonte de alimentação externa).
- * A tomada elétrica deve estar situada perto do equipamento e facilmente acessível.



Aberturas de ventilação

Certifique-se de que não tapa as aberturas de ventilação na base do volante. Para uma ventilação ideal, certifique-se do seguinte:

- * Posicione a base do volante a pelo menos 10 cm de distância de quaisquer paredes.
- * Não coloque a base em espaços apertados.
- * Não tape a base.
- * Não deixe que pó se acumule nas aberturas de ventilação.



Por razões de segurança, nunca utilize o conjunto de pedais com os pés descalços ou apenas com meias calçadas nos pés.

A THRUSTMASTER® NÃO ASSUME QUALQUER RESPONSABILIDADE NA EVENTUALIDADE DE DANOS FÍSICOS RESULTANTES DA UTILIZAÇÃO DO CONJUNTO DE PEDAIS SEM CALÇADO.



Atenção – Ferimentos resultantes dos efeitos Force Feedback e dos movimentos repetidos

Jogar com um volante Force Feedback poderá causar dores musculares ou articulares. Para evitar quaisquer problemas:

- * Evite jogar durante longos períodos de tempo.
- * Faça um intervalo de 10 a 15 minutos após cada hora de jogo.
- * Se sentir cansaço ou dores nas mãos, pulsos, braços, pés ou pernas, pare de jogar e descanse durante algumas horas antes de recomeçar a jogar.



Atenção – Ferimentos resultantes dos efeitos Force Feedback e dos movimentos repetidos (continuação)

- * Se os sintomas ou as dores acima indicados persistirem quando recomeçar a jogar, pare de jogar e consulte o seu médico.
- * Guarde o volante fora do alcance das crianças.
- * Durante o jogo, mantenha sempre ambas as mãos posicionadas corretamente no volante sem largá-lo por completo.
- * Durante o jogo, nunca coloque as mãos ou os dedos por baixo dos pedais ou perto do conjunto de pedais.
- * Durante a calibração e o jogo, nunca coloque a mão ou o braço através das aberturas existentes no volante.
- * Certifique-se de que a base do volante está devidamente fixada, de acordo com as instruções do manual.

PRODUTO PESADO



Produto para ser manuseado apenas por utilizadores com 14 anos de idade ou mais



Tenha cuidado para não deixar cair o produto em cima de si ou de outra pessoa!

SEMPRE



NUNCA



NUNCA



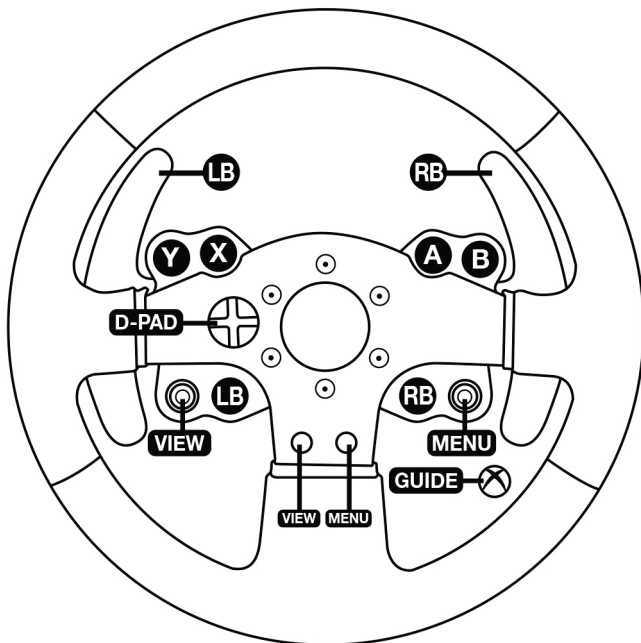
CONFIGURAR O VOLANTE PARA A XBOX ONE

1. Ligue o conjunto de pedais ao conector (17) situado na parte posterior da base do volante.
2. Ligue o cabo de alimentação ao conector (14) situado na parte posterior da base do volante.
3. Ligue o cabo de alimentação a uma tomada elétrica com as mesmas especificações de tensão.
4. Ligue o conector USB do volante (15) a uma das portas USB do sistema.
5. Quando o sistema for ligado, o volante irá calibrar-se automaticamente.

Está pronto para começar a jogar!

- A lista de jogos para a Xbox One compatíveis com o TMX Force Feedback está disponível em: <http://support.thrustmaster.com> (clique em Volantes / TMX Force Feedback).
Esta lista é atualizada regularmente.

MAPEAMENTO PARA XBOX ONE



CONFIGURAR O VOLANTE PARA O PC

1. Acesse <http://support.thrustmaster.com> para baixar os drivers e software Force Feedback para PC. Na seção Updates and Downloads, clique em Volantes / TMX Force Feedback e selecione Drivers.
2. Quando o download for concluído, inicie a instalação e siga as instruções na tela para conectar o volante ao computador via USB e completar a instalação.
3. Quando a instalação for concluída, clique em Finalizar e reinicie o computador.
4. Selecione Iniciar / Todos os Programas / Thrustmaster / FFB Racing Wheel / Painel de Controle para abrir a janela Controladores de Jogo

A janela Controladores de Jogo exibe o nome Thrustmaster TMX Racing Wheel e o status OK.

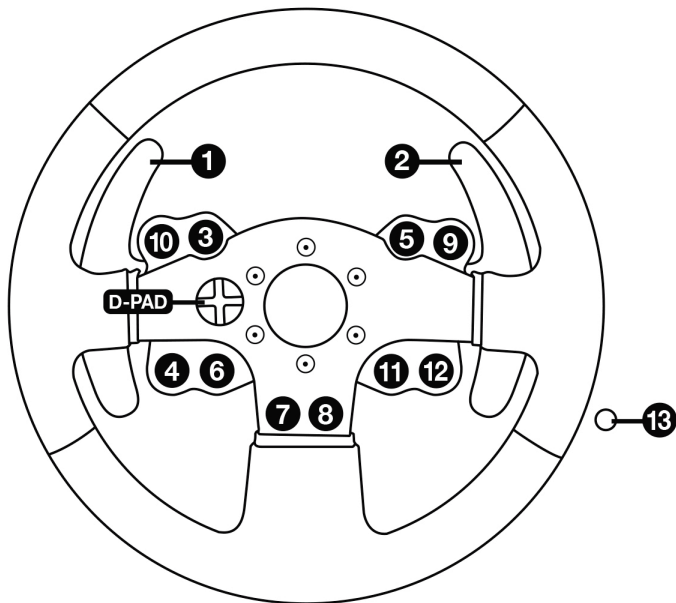
5. Clique em Propriedades para configurar o volante no painel de controle do TMX.
 - Aba Test Input: permite testar e visualizar os botões de ação, os botões direcionais, os eixos do volante e dos pedais e ajustar o ângulo de rotação do volante em jogos para PC.
 - Aba Test Forces: permite testar os 12 efeitos de force feedback.
 - Aba Gain Settings: permite ajustar a força dos efeitos force feedback nos jogos para PC.

Você está pronto para jogar!

Observações gerais:

- No PC, clique em OK para fechar a janela Controladores de Jogo antes de iniciar o jogo.
- No PC, os ajustes feitos na janela Controladores de Jogo serão salvos apenas no computador (não terão efeito no Xbox One).
- A versão do firmware do volante é exibida no canto superior direito do painel de controle do TMX Force Feedback.

MAPEAMENTO PARA PC



ENGLISH

FRANÇAIS

DEUTSCH

NEDERLANDS

ITALIANO

ESPAÑOL

PORTUGUÊS

РУССКИЙ

ΕΛΛΗΝΙΚΑ

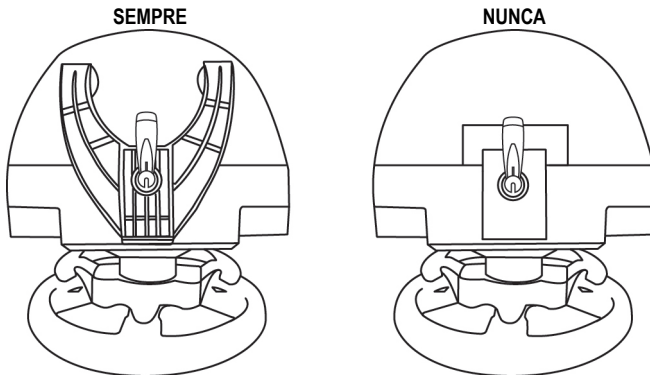
TÜRKÇE

POLSKI

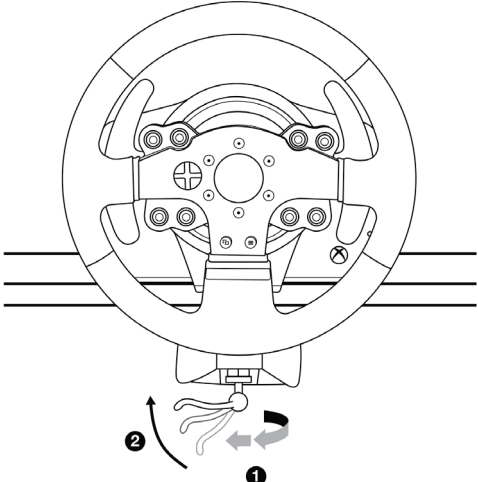
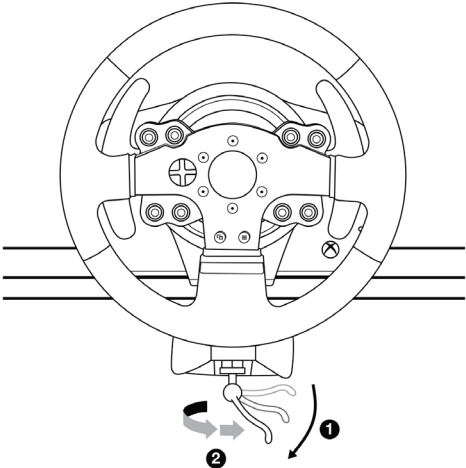
FIXAR O VOLANTE

Fixar o volante a uma mesa ou secretária

1. Coloque o volante sobre uma mesa ou de qualquer outra superfície horizontal, plana e estável.
2. Insira o parafuso de aperto (11) no sistema de fixação (10), em seguida aperte o dispositivo rodando o parafuso no sentido anti-horário, de forma que penetre no furo roscado grande (9) situado por baixo do volante, até o volante estar perfeitamente estável.



ATENÇÃO: Nunca aperte apenas o parafuso, sem o sistema de fixação instalado!
(Se o fizer, poderá danificar o volante.)

FIXAÇÃO / REMOÇÃO	DIREÇÃO
<p><u>Para apertar:</u></p> <p>Rode o parafuso no sentido anti- horário</p>	
<p><u>Para soltar:</u></p> <p>Rode o parafuso no sentido horário</p>	

CALIBRAGEM AUTOMÁTICA DO VOLANTE

O volante calibra-se automaticamente quando liga o volante a uma tomada elétrica e o conector USB do volante ao sistema Xbox One.

Durante esta fase, o volante roda rapidamente para a esquerda e direita, cobrindo um ângulo de 900 graus, antes de parar no centro.

ATENÇÃO: Nunca toque no volante durante a fase de autocalibragem!
(Isto poderá resultar numa calibragem incorreta e/ou em ferimentos pessoais.)

BOTÃO MODE E LUZ INDICADORA (8)

Botão MODE para o conjunto de pedais

O TMX Force Feedback também é compatível com conjuntos de pedais Thrustmaster dotados de 3 pedais; estes permitem trocar eletronicamente os pedais do acelerador e da embraiagem.

Para tal, basta premir o botão MODE (8) durante 2 segundos.

A memória interna do volante memoriza se os pedais foram trocados ou não.

PEDAIS DO ACELERADOR E DA EMBRAIAGEM	Cor da luz indicadora MODE (8)
NORMAL	VERMELHA
TROCADOS	VERDE



ATENÇÃO:

Quando utilizar este conjunto de pedais, certifique-se de que a luz indicadora permanece vermelha, caso contrário o pedal do acelerador não funcionará corretamente.

Outras sugestões relativas ao botão MODE

Para saber mais sobre o botão MODE e a luz indicadora, aceda a <http://support.thrustmaster.com>. Na secção **Updates and Downloads**, clique em **Volantes / TMX Force Feedback** e em seguida seleccione **Manual** ou **FAQ**.

ATUALIZAR O FIRMWARE DO VOLANTE

O firmware incluído na base do volante pode ser atualizado para uma versão mais recente que inclua melhoramentos do produto.

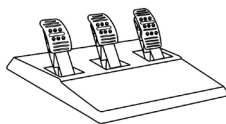
Para visualizar a versão do firmware que o volante utiliza atualmente e atualizá-la, se necessário: no PC, aceda a <http://support.thrustmaster.com>. Clique em **Volantes / TMX Force Feedback**, em seguida seleccione **Firmware** e siga as instruções que descrevem o procedimento de transferência e instalação.

FICHEIROS DE AJUDA E FAQ (NÃO INCLUÍDOS NESTE MANUAL)

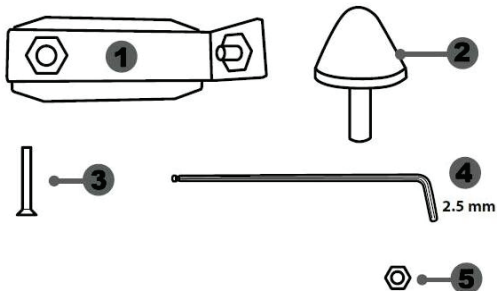
Aceda a <http://support.thrustmaster.com> e, na secção **Updates and Downloads**, clique em **Xbox One / Wheels / TMX Force Feedback** e seleccione **Manual** ou **FAQ**.

Se o volante e/ou o conjunto de pedais não funcionam corretamente, ou se parecem estar calibrados incorretamente:

Desligue o sistema e desligue todos os cabos do volante. Em seguida, volte a ligar todos os cabos (incluindo o cabo de alimentação e o conjunto de pedais) e reinicie o sistema e o jogo.

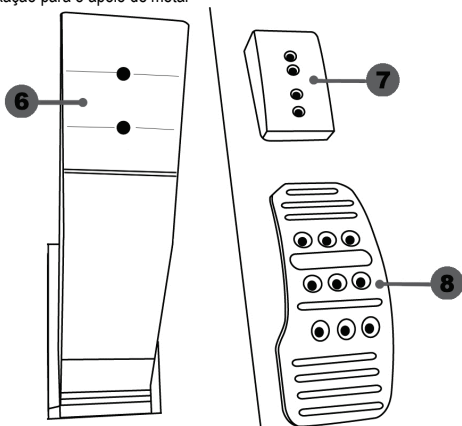


CARACTERÍSTICAS TÉCNICAS



- 1 Apoio de metal para batente cónico
(*não instalado por predefinição*)
- 2 Batente cónico
- 3 Parafuso de fixação para o apoio de metal

- 4 Chave sextavada de 2,5 mm (incluída)
- 5 Porca de ajuste da posição para o batente cónico



- 6 Braço do pedal
- 7 Apoio de plástico da cabeça

- 8 Cabeça de metal do pedal

ATENÇÃO

Antes de utilizar este produto, leia atentamente estas instruções e guarde-as para uma consulta posterior.



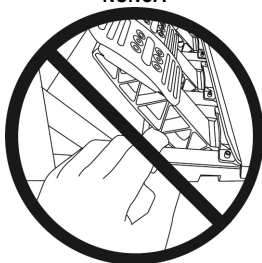
Por razões de segurança, nunca utilize o conjunto de pedais com os pés descalços ou quando estiver apenas de meias calçadas.
A THRUSTMASTER® NÃO ASSUME QUALQUER RESPONSABILIDADE NA EVENTUALIDADE DE DANOS FÍSICOS RESULTANTES DA UTILIZAÇÃO DO CONJUNTO DE PEDAIS SEM CALÇADO.



Atenção – Perigo de entalamento no conjunto de pedais durante as sessões de jogo

- * Mantenha o conjunto de pedais fora do alcance das crianças.
- * Durante as sessões de jogo, nunca coloque os dedos nos lados dos pedais.
- * Durante as sessões de jogo, nunca coloque os dedos na base posterior dos pedais ou perto da mesma.
- * Durante as sessões de jogo, nunca coloque os dedos na base frontal dos pedais ou perto da mesma.

NUNCA



NUNCA



NUNCA



CALIBRAGEM AUTOMÁTICA DOS PEDAIS



IMPORTANTE:

- Nunca ligue nem desligue o conjunto de pedais da base do volante quando este estiver ligado à PS3™ ou à PS4™, ou durante as sessões de jogo, para evitar problemas de calibragem.
- = Ligue sempre o conjunto de pedais ao volante antes de ligar o volante à PS3™ ou à PS4™.
- Quando a calibragem automática do volante estiver concluída e o jogo tiver começado, os pedais calibram-se automaticamente depois de carregar neles várias vezes.
- Nunca carregue nos pedais quando o volante estiver a executar a calibragem automática ou quando o jogo estiver a começar, a fim de evitar problemas de calibragem.
- Se os pedais não funcionarem corretamente ou parecerem estar calibrados indevidamente, desligue a consola, desligue completamente o volante, volte a ligar todos os cabos (incluindo o cabo de alimentação e o cabo do conjunto de pedais), ligue novamente a consola e reinicie o jogo.

FIXAR O CONJUNTO DE PEDAIS A UM COCKPIT

- Fixe o conjunto de pedais utilizando as pequenas roscas de parafusos situadas na parte inferior do conjunto de pedais.
- Enrosque dois parafusos M6 (não incluídos) na chapa de apoio do conjunto de pedais e nas duas pequenas roscas de parafusos situadas na parte inferior do conjunto de pedais.

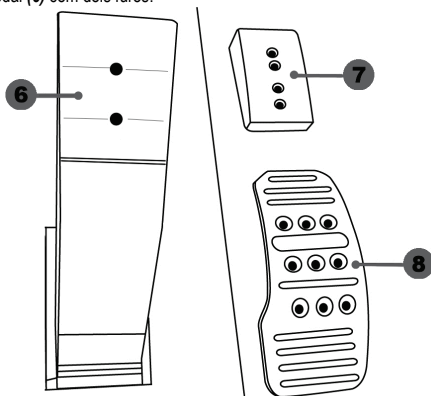
Importante: O comprimento dos dois parafusos M6 não deve exceder a espessura da chapa de apoio dos pedais do cockpit mais 10 mm, para evitar danificar os componentes internos do conjunto de pedais.

Estão disponíveis **esquemas de disposição para cockpits** (para posicionar a base do volante e/ou o conjunto de pedais) em <http://support.thrustmaster.com>: clique em **Volantes / TMX Force Feedback** e em seguida seleccione **Manual** ou **FAQ**.

AJUSTAR O CONJUNTO DE PEDAIS

Cada um dos três pedais inclui:

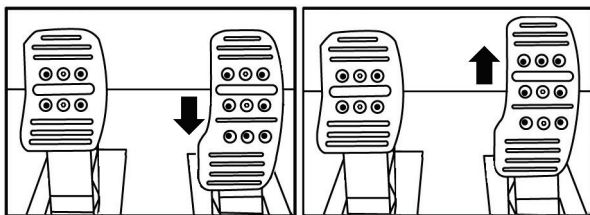
- Uma cabeça de metal (8) com vários furos (nove para o acelerador, seis para o travão e seis para a embraiagem).
- Um apoio de plástico da cabeça (7) (colocado entre a cabeça e o braço) com quatro furos.
- Um braço do pedal (6) com dois furos.



ATENÇÃO: Para evitar problemas de calibragem, desligue sempre o cabo USB do volante antes de realizar quaisquer ajustes no conjunto de pedais.

Ajustar a ALTURA do pedal do acelerador

- Com a chave sextavada de 2,5 mm incluída (4), desenrosque os dois parafusos que prendem a cabeça de metal (8) e o respetivo apoio (7) na posição.
- Selecione a sua posição de altura preferida e em seguida reaperte os parafusos de forma a fixar firmemente nessa posição a cabeça de metal (8) e o respetivo apoio (7).



Posição baixa (predefinida)

Posição alta

Ajustar o ESPAÇAMENTO dos três pedais

- Com a chave sextavada de 2,5 mm incluída (4), desenrosque os dois parafusos que prendem a cabeça de metal (8) e o respetivo apoio (7) na posição.
- Selecione a sua posição preferida (à esquerda, ao centro ou à direita) e em seguida reaperte os parafusos de forma a fixar firmemente nessa posição a cabeça de metal (8) e o respetivo apoio (7).

Exemplos de ilustração do pedal do travão:



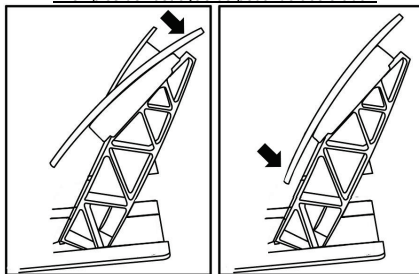
Número de posições de espaçamento possíveis por pedal:

- Três para o pedal do acelerador
- Três para o pedal do travão
- Três para o pedal da embraiagem

Ajustar a INCLINAÇÃO dos pedais

- Com a chave sextavada de 2,5 mm incluída (4), desenrosque os dois parafusos que prendem a cabeça de metal (8) e o respetivo apoio (7) na posição.
- Rode o apoio de plástico da cabeça (7) 180° e em seguida reaperte os parafusos de forma a fixar firmemente nessa posição a cabeça de metal (8) e o respetivo apoio (7).

Exemplos de ilustração do pedal do acelerador:



Posição menos inclinada Posição mais inclinada (predefinida)

Número de posições de inclinação possíveis por pedal:

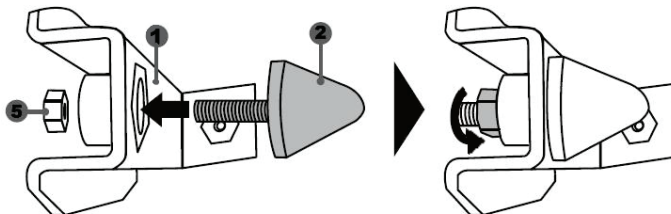
- Duas para o pedal do acelerador
- Duas para o pedal do travão
- Duas para o pedal da embraiagem

Instalar o batente cónico (“CONICAL RUBBER BRAKE” mod)

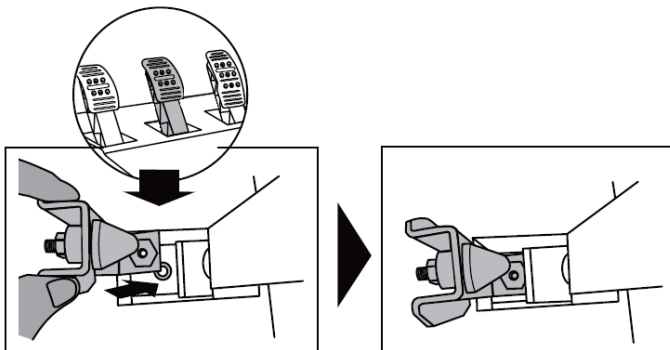
Esta modificação (ou “mod”) não é essencial, não sendo instalada por predefinição. Isto significa que o pedal do travão funciona perfeitamente mesmo sem a mod instalada.

Esta mod permite-lhe experimentar uma sensação e uma resistência diferentes ao travar. Cabe a si decidir se deve ou não instalá-la, de acordo com as suas próprias preferências.

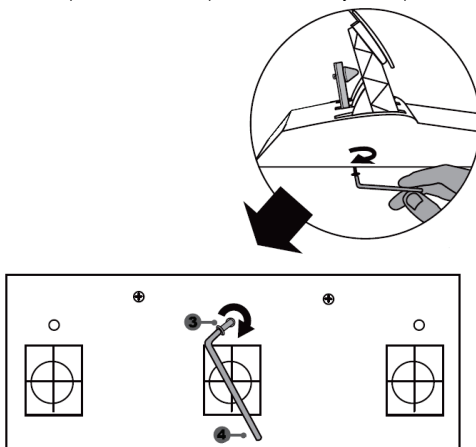
- Enrosque o batente cónico (2) no respetivo apoio de metal (1).
- Enrosque a porta de ajuste da posição (5) ao fundo (na rosca de parafuso do batente cónico).



- Coloque a unidade na parte posterior do braço do pedal do travão.



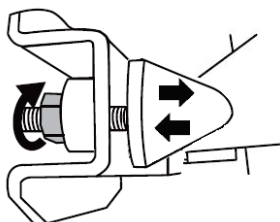
- Com a chave sextavada de 2,5 mm incluída (4), fixe a unidade utilizando o parafuso de fixação (3) e a pequena rosca de parafuso situada na parte inferior do conjunto de pedais.



A "CONICAL RUBBER BRAKE" mod encontra-se agora instalada!

Ajustar o CURSO e a FORÇA da resistência do pedal do travão

Ao desenroscar ligeiramente a porca (5), pode aumentar a resistência do pedal do travão aproximando o batente cónico (2) da parte posterior do braço do pedal (se necessário, utilize uma chave de porcas de 14 mm ou um alicate para reapertar a porca e manter a posição selecionada). Quanto mais perto o batente cónico estiver da parte posterior do braço do pedal, maior será a força da resistência.



Nota: Quando o batente cónico estiver muito perto da parte posterior do braço do pedal do travão, poderá ter dificuldade para atingir o valor de calibragem máximo. Se for esse o caso:

* Lentamente, carregue com força no pedal do travão para atingir o valor máximo (se necessário, coloque-se de pé durante breves instantes em cima do pedal – apenas 1 segundo) e em seguida alivie a pressão; ou

* Afaste ligeiramente o batente cónico da parte posterior do braço do pedal do travão.

INFORMAÇÕES SOBRE A GARANTIA PARA O CONSUMIDOR

A Guillemot Corporation S.A., com sede social sita em Place du Granier, B.P. 97143, 35571 Chantepele, França (a seguir designada como “Guillemot”) garante a nível mundial ao consumidor que este produto Thrustmaster está livre de defeitos em termos de materiais e fabrico durante um período de garantia que corresponde ao limite de tempo para intentar uma ação de conformidade relativamente a este produto. Nos países da União Europeia, isto corresponde a um período de dois (2) anos desde a entrega do produto Thrustmaster. Noutros países, o período de garantia corresponde ao limite de tempo para intentar uma ação de conformidade relativamente ao produto Thrustmaster de acordo com a legislação em vigor do país no qual o consumidor residia à data de compra do produto Thrustmaster (se a dita ação não existir no país correspondente, então o período de garantia será de um (1) ano a partir da data de compra original do produto Thrustmaster.

No caso de o produto apresentar algum defeito durante o período da garantia, contacte imediatamente o Suporte Técnico, que lhe indicará o procedimento a tomar. Se esse defeito se confirmar, o produto terá de ser devolvido ao respetivo local de compra (ou qualquer outro local indicado pelo Suporte Técnico).

No âmbito da presente garantia, e por opção do Suporte Técnico, o produto defeituoso do consumidor será substituído ou reparado. Se, durante o período da garantia, o produto Thrustmaster for submetido à dita reparação, qualquer período mínimo de (7) dias durante o qual o produto estiver fora de serviço será adicionado ao período da garantia restante (este período decorre desde a data do pedido intervenção pelo consumidor ou desde a data em que o produto em questão é disponibilizado para reparação, se a data em que o produto é disponibilizado para reparação for posterior à data do pedido de intervenção). Se for permitido pela legislação em vigor, a responsabilidade total da Guillemot e das respetivas filiais (incluindo para danos indiretos) está limitada à reparação ou à substituição do produto Thrustmaster. Se for permitido pela legislação em vigor, a Guillemot rejeita todas as garantias de comercialização ou adequação a um fim específico.

A presente garantia não se aplicará: (1) se o produto tiver sido modificado, aberto, alterado ou danificado em resultado de utilização inadequada ou abusiva, negligência, acidente, desgaste normal ou qualquer outra causa relacionada com um defeito de material ou fabrico (incluindo, mas sem limitação, combinar o produto Thrustmaster com qualquer elemento inadequado, incluindo, em particular, fontes de alimentação, baterias recarregáveis, carregadores ou quaisquer outros elementos não fornecidos pela Guillemot para este produto); (2) se o produto tiver sido utilizado fora do âmbito da utilização doméstica, incluindo para fins profissionais ou comerciais (salas de jogos, treino e competições, por exemplo); (3) na eventualidade de incumprimento das instruções fornecidas pelo Suporte Técnico; (4) a software, estando o mesmo sujeito a uma garantia específica; (5) a consumíveis (elementos para substituir ao longo da vida útil do produto: baterias descartáveis, auscultadores de áudio ou auriculares de auscultadores, por exemplo); (6) a acessórios (cabos, estojos, bolsas, sacos e correias de pulso, por exemplo); (7) se o produto foi vendido num leilão público.

A presente garantia não é transmissível.

Os direitos legais do consumidor no que concerne à legislação aplicável à venda de bens de consumo no seu país não são afetados pela presente garantia.

Disposições de garantia adicionais

Durante o período da garantia, a Guillemot não fornecerá, em princípio, quaisquer peças de substituição, uma vez que o Suporte Técnico é a única parte autorizada a abrir e/ou reparar qualquer produto Thrustmaster (à exceção de quaisquer procedimentos de reparação que o Suporte Técnico possa pedir ao consumidor para realizar, através de instruções por escrito – por exemplo, devido à simplicidade e à falta de confidencialidade do processo de reparação – e fornecendo ao consumidor a(s) peça(s) de substituição necessária(s), quando aplicável).

Tendo em conta os seus ciclos de inovação, e a fim de proteger o seu know-how e segredos comerciais, a Guillemot não fornecerá, em princípio, qualquer notificação de reparação ou peças de substituição para produtos Thrustmaster cujo período da garantia tenha expirado.

Responsabilidade

Se for permitido ao abrigo da legislação aplicável, a Guillemot Corporation S.A. (a seguir designada "Guillemot") e as respetivas filiais rejeitam qualquer responsabilidade por danos resultantes de uma ou mais das seguintes causas: (1) o produto foi modificado, aberto ou alterado; (2) incumprimento das instruções de montagem; (3) utilização inadequada ou abusiva, negligência ou acidente (um impacto, por exemplo); (4) desgaste normal; (5) utilização do produto fora do âmbito além da utilização doméstica, incluindo para fins profissionais ou comerciais (salas de jogos, treino e competições, por exemplo). Se for permitido ao abrigo da legislação aplicável, a Guillemot e as respetivas filiais rejeitam qualquer responsabilidade por danos relacionados com um defeito de material ou fabrico relativamente ao produto (incluindo, mas sem limitação, quaisquer danos causados direta ou indiretamente por qualquer software ou por combinar o produto Thrustmaster com qualquer elemento inadequado, incluindo, em particular, fontes de alimentação, baterias recarregáveis, carregadores ou quaisquer outros elementos não fornecidos pela Guillemot para este produto).

THRUSTMASTER®

SUPOORTE TÉCNICO

<http://support.thrustmaster.com>



DIREITOS DE AUTOR

© 2016 Guillemot Corporation S.A. Todos os direitos reservados. Thrustmaster® é uma marca registada da Guillemot Corporation S.A. Todas as outras marcas comerciais são pertencem aos respectivos proprietários. As ilustrações não são vinculativas. Os conteúdos, desenhos e especificações estão sujeitos a alteração sem aviso prévio e podem variar de país para país. Fabricado na China.

RECOMENDAÇÕES DE PROTECÇÃO AMBIENTAL



Na União Europeia: Quando este produto chegar ao fim da sua vida útil, não o elimine juntamente com os resíduos domésticos normais; em vez disso, deixe-o num ponto de recolha de resíduos de equipamento eléctrico e electrónico (REEE) para posterior reciclagem.

O símbolo presente no produto, no manual de utilizador ou na caixa confirma-o.

Os materiais podem ser reciclados, dependendo das suas características. Através da reciclagem e de outras formas de processamento de resíduos de equipamento eléctrico e electrónico, pode dar um importante contributo no sentido de ajudar a proteger o ambiente.

Contacte as autoridades locais para saber onde fica o ponto de recolha mais perto da sua área de residência.

Relativamente a todos os outros países: Respeite a legislação local sobre a reciclagem de equipamento eléctrico e electrónico.

Informações a reter. As cores e as decorações podem variar.

Os fechos e os adesivos devem ser removidos do produto antes da utilização.

www.thrustmaster.com

**Aplicável apenas à União Europeia e Turquia*

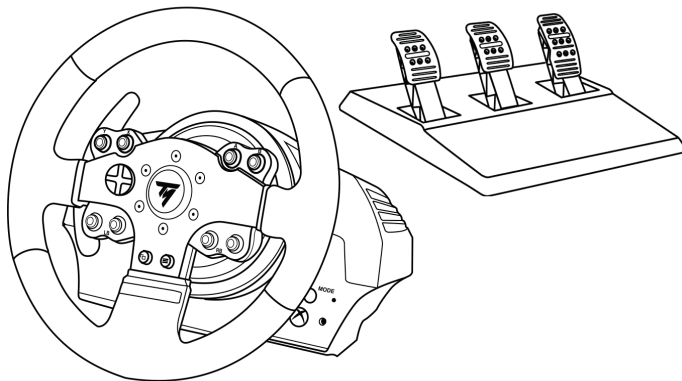


TMX PRO

FORCE FEEDBACK

Для XBOX ONE и PC

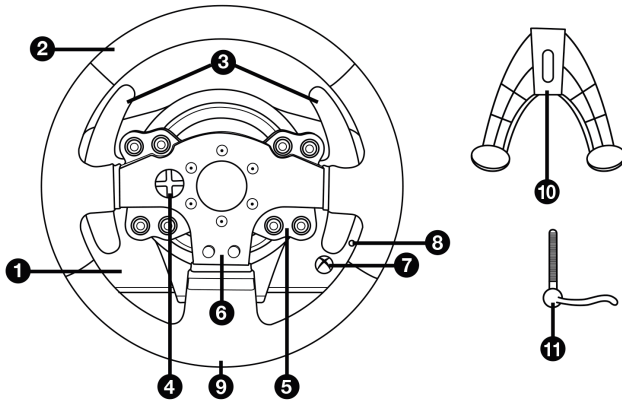
Инструкция по эксплуатации



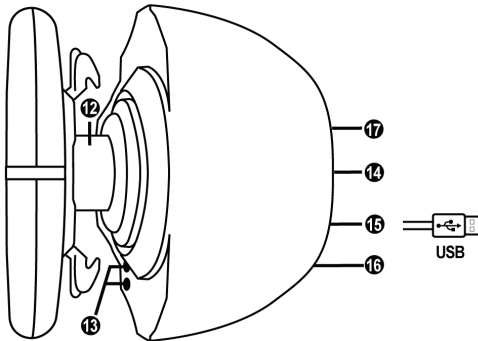
ВНИМАНИЕ!

Для обеспечения оптимальной совместимости рулевой системы TMX с играми на Xbox One или ПК, может потребоваться установка автоматических обновлений для игр *(их можно загрузить, подключив игровую систему к Интернету)*.

ТЕХНИЧЕСКИЕ ХАРАКТЕРИСТИКИ



- | | |
|---|--|
| <p>1 База системы TMX</p> <p>2 Руль</p> <p>3 2 лепестковых переключателя (Up и Down)</p> <p>4 Многопозиционная кнопка</p> <p>5 Кнопки</p> <p>6 Кнопки</p> | <p>7 Кнопка Xbox Guide + Белый индикатор</p> <p>8 Кнопка MODE (Режим) + красный/зеленый индикатор</p> <p>9 Резьба под большой винт (для системы крепления и крепежного винта)</p> <p>10 Система крепления</p> <p>11 Металлический крепежный винт</p> |
|---|--|



- | | |
|---|---|
| <p>12 Ось поворота руля</p> <p>13 Кнопка MODE (Режим) + красный/зеленый индикатор</p> <p>14 Кабель питания или разъем питания (разные стандарты для разных стран)</p> | <p>15 USB-кабель и разъем рулевой системы</p> <p>16 Разъем для коробки передач (коробка передач приобретается отдельно)</p> <p>17 Разъем для педального блока</p> |
|---|---|

ПРЕДУПРЕЖДЕНИЯ

Перед эксплуатацией данного изделия внимательно ознакомьтесь с настоящей инструкцией и сохраните ее на будущее.



Внимание – опасность поражения электрическим током!

- * Изделие следует хранить в сухом месте, избегая попадания на него пыли и солнечного света.
- * Не допускается перекручивание разъемов и кабелей; кабели нельзя тянуть.
- * Не допускается попадание жидкости на изделие и его разъемы.
- * Не допускается короткое замыкание в цепи изделия.
- * Запрещается разбирать изделие, бросать изделие в огонь и подвергать его воздействию высоких температур.
- * Не допускается использование других кабелей питания, кроме кабеля, входящего в комплект рулевой системы.
- * Нельзя использовать кабель питания, если он или его разъемы повреждены, потрескались или сломаны.
- * Убедитесь, что кабель питания должным образом подключен к электророзетке и к разъему на задней стороне базы рулевого колеса.
- * Нельзя вскрывать систему рулевого колеса – в ней нет деталей, которые могут обслуживаться пользователем. Любой ремонт должен выполняться производителем, его авторизованным представителем или квалифицированным техническим специалистом.
- * Допускается использование только одобренных производителем систем крепления и аксессуаров.
- * В случае ненормального функционирования рулевой системы (при возникновении посторонних звуков, перегреве или запахе) следует немедленно прекратить использование системы, выключить кабель питания из розетки и отсоединить все остальные кабели.
- * Если предполагается, что рулевая система не будет использоваться продолжительное время, отключите кабель питания от розетки.
- * Разрешается использовать только блок питания, поставляемый в комплекте рулевой системы (в случае внешнего блока питания).
- * Электророзетка должна находиться поблизости от системы и в удобном доступе.



Вентиляционные отверстия

Не допускается блокирование вентиляционных отверстий на базе рулевой системы. Для обеспечения оптимальной вентиляции выполните следующие указания:

- * размещайте базу руля на расстоянии не менее 10 см от стен;
- * не размещайте базу в стесненном пространстве;
- * ничем не накрывайте базу;
- * не допускайте скопления пыли на вентиляционных отверстиях.



**Из соображений безопасности никогда не нажимайте на педали босой ногой или ногой в носке (без обуви).
КОМПАНИЯ THRUSTMASTER® ОТКАЗЫВАЕТСЯ ОТ ЛЮБОЙ
ОТВЕТСТВЕННОСТИ В СЛУЧАЕ ПОЛУЧЕНИЯ ТРАВМЫ В РЕЗУЛЬТАТЕ
НАЖИМАНИЯ НА ПЕДАЛИ НЕОБУТЫМИ НОГАМИ.**



Внимание – риск травмирования в результате повторяющихся движений и действия силовой обратной связи

Использование рулевой системы с силовой обратной связью может вызвать боль в мышцах или суставах. Советы по предотвращению проблем со здоровьем:

- * не проводите за игрой продолжительное время;
- * после каждого часа игры делайте 10-15-минутный перерыв;
- * если в кистях, запястьях, предплечьях, стопах или ногах появилась усталость или боль, прекратите игру и отдохните в течение нескольких часов, прежде чем снова приступить к игре.
- * если вышеуказанные признаки проявляются снова при возвращении к игре, прекратите игру и обратитесь к врачу;
- * держите систему вне доступа детей;
- * во время игры правильно располагайте обе руки на рулевом колесе и не позволяйте ему вращаться бесконтрольно;
- * во время игры ни в коем случае не засовывайте руки или пальцы под педали и не держите их рядом с педальным блоком;
- * во время калибровки и игры ни в коем случае не засовывайте руки в рулевое колесо;
- * обеспечьте надежную фиксацию базы рулевого колеса в соответствии с указаниями в инструкции по эксплуатации.

ТЯЖЕЛОЕ ИЗДЕЛИЕ



Не допускается использование изделия лицами моложе 14 лет



Не роняйте изделие на себя или на других лиц!

ПРАВИЛЬНО



НЕЛЬЗЯ



НЕЛЬЗЯ



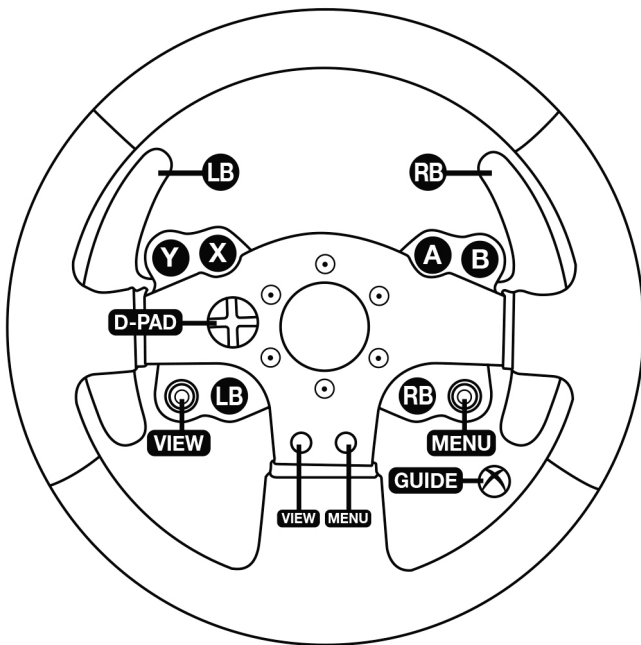
НАСТРОЙКА РУЛЕВОЙ СИСТЕМЫ ДЛЯ XBOX ONE

1. Подключите педальный блок к разъему (17) на задней стороне базы рулевого колеса.
2. Подключите кабель питания к разъему (14) на задней стороне базы рулевого колеса.
3. Подключите кабель питания к электророзетке соответствующего напряжения.
4. Подключите USB-кабель рулевой системы (15) к одному из USB-портов игровой системы.
5. После включения игровой системы автоматически выполняется калибровка рулевого колеса.

Теперь все готово для игры!

- Перечень игр для Xbox One, совместимых с рулевой системой TMX Force Feedback можно найти на сайте: <http://support.thrustmaster.com> (выберите Гонимые рули / TMX). Этот список регулярно обновляется.

СООТНЕСЕНИЕ ФУНКЦИЙ ДЛЯ XBOX ONE



НАСТРОЙКА РУЛЕВОЙ СИСТЕМЫ ДЛЯ ПК

1. Загрузите драйверы и программу Force Feedback для ПК на сайте <http://support.thrustmaster.com>. Щелкните Гоночные рули / TMX Force Feedback и выберите Драйверы.

2. После завершения загрузки запустите процесс установки и выполните указания на экране по подключению USB-кабеля к компьютеру и завершению установки.

3. После завершения установки щелкните кнопку «Готово» и перезапустите компьютер.

4. Выберите «Пуск / Все программы / Thrustmaster / FFB Racing Wheel / Control Panel», чтобы открыть окно «Игровые устройства».

В окне «Игровые устройства» отображается рулевая система Thrustmaster TMX Racing Wheel с состоянием «ОК».

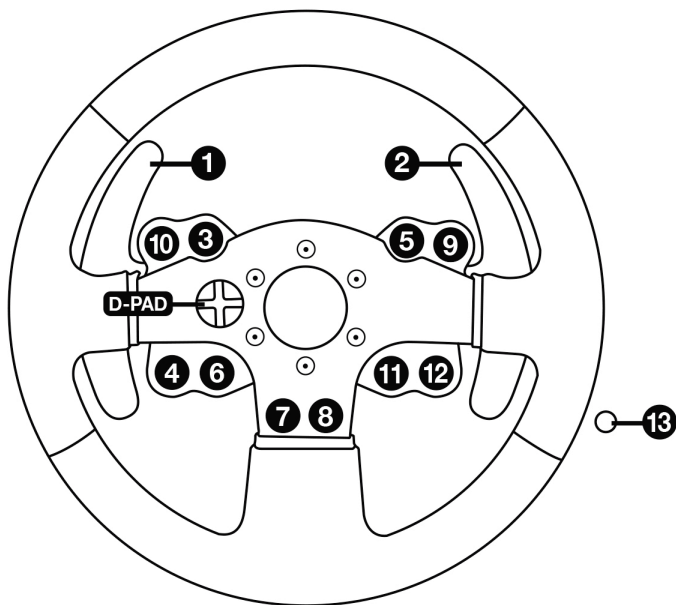
5. Щелкните «Свойства», чтобы настроить параметры рулевой системы TMX на панели управления:

- вкладка Test Input (Тест входа): возможность протестировать и просмотреть функциональные кнопки и кнопки направлений, оси руля и педалей, а также отрегулировать угол поворота руля в играх на ПК;
- вкладка Test Forces (Тест силовой обратной связи): возможность протестировать 12 эффектов силовой обратной связи;
- вкладка Gain Settings (Параметры усиления): регулировка мощности эффектов силовой обратной связи в играх на ПК.

Теперь все готово для игры!

Общие примечания:

- перед запуском игры на ПК щелкните ОК, чтобы закрыть окно «Игровые устройства»;
- настройки, сделанные в окне «Игровые устройства» будут сохранены только на компьютере (они не будут иметь силы на Xbox One);
- версия прошивки руля отображается в верхнем правом углу на вкладках панели управления системы TMX Force Feedback.

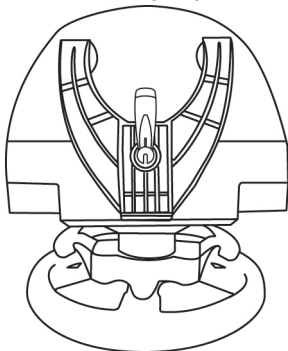


УСТАНОВКА РУЛЕВОЙ СИСТЕМЫ

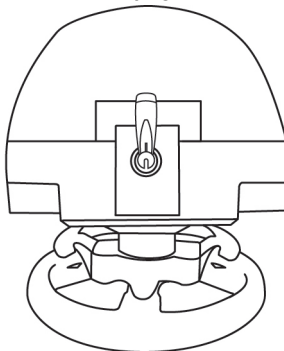
Размещение рулевого колеса на столе.

1. Расположите гоночный руль на столе или иной горизонтальной плоской и устойчивой поверхности.
2. Вставьте крепежный винт (11) в систему крепления (10) и надежно зафиксируйте руль, затягивая винт против часовой стрелки, так чтобы он вошел в большое резьбовое отверстие (9), расположенное ниже руля.

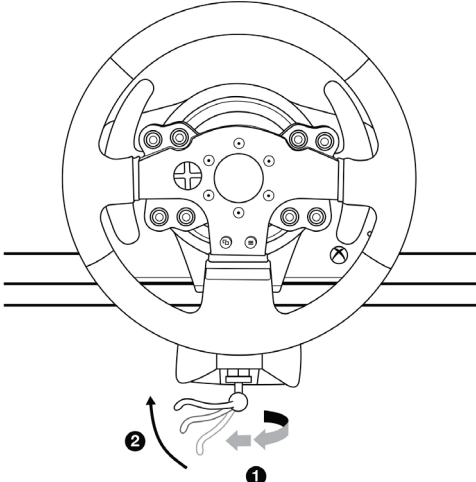
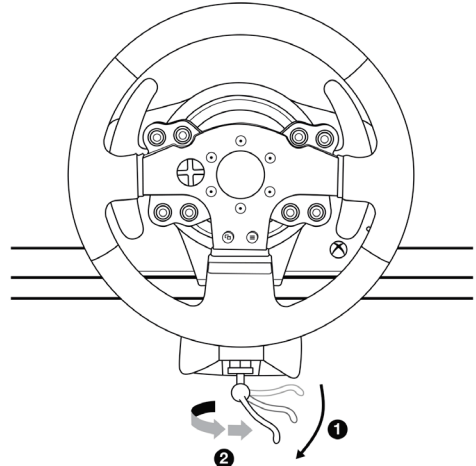
ПРАВИЛЬНО



НЕЛЬЗЯ



ВНИМАНИЕ! Нельзя закручивать винт без системы крепления!
(В противном случае возможно повреждение рулевой системы.)

УСТАНОВКА / ДЕМОНТАЖ	НАПРАВЛЕНИЕ
<p>Фиксация</p> <p><i>Закручивайте винт против часовой стрелки</i></p>	
<p>Ослабление</p> <p><i>Раскручивайте винт по часовой стрелке</i></p>	

АВТОМАТИЧЕСКАЯ КАЛИБРОВКА РУЛЯ

Калибровка гоночного руля выполняется автоматически при подключении рулевой системы к электророзетке и к Xbox One через USB-разъем.

Во время этой процедуры руль быстро вращается влево и вправо, совершая поворот на 900 градусов, и затем останавливается в центре.

ВНИМАНИЕ! Во время автокалибровки нельзя дотрагиваться до руля!
(В противном случае возможен сбой калибровки и/или телесная травма).

КНОПКА И ИНДИКАТОР MODE(8)

Кнопка MODE для педального блока

Рулевая система TMX Force Feedback совместима также с педальными блоками Thrustmaster с тремя педалями (*приобретаются отдельно*); на которых можно электронным способом поменять местами педали сцепления и газа.

Для этого достаточно нажать кнопку MODE (8) на 2 сек.

Во встроенной памяти рулевой системы сохраняются данные о переносе педалей.

ПЕДАЛИ УСКОРЕНИЯ И СЦЕПЛЕНИЯ	Цвет индикатора MODE (8)
ОБЫЧНЫЙ РЕЖИМ	КРАСНЫЙ
ОБРАТНЫЙ РЕЖИМ	ЗЕЛЕНый



ВНИМАНИЕ!

При использовании педального блока индикатор должен гореть красным, иначе педаль ускорения не будет работать должным образом.

Другие советы по использованию кнопки MODE

Подробнее о кнопке и индикаторе MODE рассказывается на сайте <http://support.thrustmaster.com>. Щелкните **Гоночные рули / TMX Force Feedback** и выберите **Инструкция по эксплуатации** или **Часто задаваемые вопросы**.

ОБНОВЛЕНИЕ ПРОШИВКИ РУЛЕВОГО КОЛЕСА

Прошивку в базе рулевого колеса можно обновить до более поздней версии, содержащей усовершенствования.

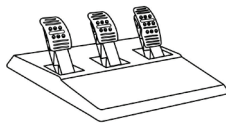
Для просмотра установленной в данный момент версии прошивки и ее обновления при необходимости откройте сайт <http://support.thrustmaster.com>. Щелкните **Гоночные рули / TMX Force Feedback** и выберите **Прошивка**.

СПРАВКА И ОТВЕТЫ НА ЧАСТЫЕ ВОПРОСЫ (НЕ ПРИВЕДЕННЫЕ В НАСТОЯЩЕМ РУКОВОДСТВЕ)

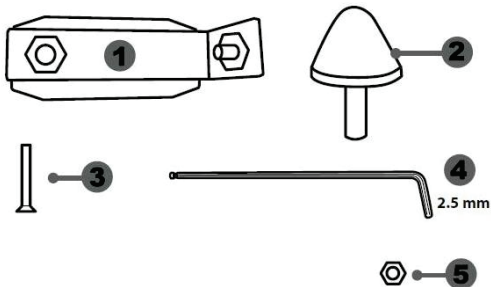
Посетите сайт <http://support.thrustmaster.com>. Щелкните **Гоночные рули / TMX Force Feedback** и выберите **Инструкция по эксплуатации** или **Часто задаваемые вопросы**.

Если гоночный руль и/или педальный блок не работают должным образом или кажутся неверно откалиброванными:

выключите игровую систему и полностью отсоедините рулевую систему; затем заново подключите все кабели (в том числе кабели питания и педального блока) и перезапустите игровую систему и игру.

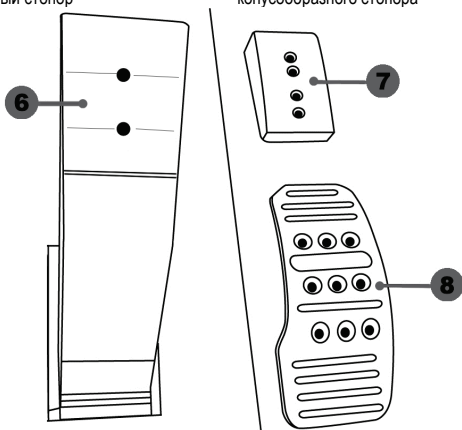


ТЕХНИЧЕСКИЕ ХАРАКТЕРИСТИКИ



- 1 Металлическая база для конусообразного стопора
(по умолчанию не установлена)
- 2 Конусообразный стопор

- 3 Крепежный винт для металлической базы
- 4 6-гранный ключ 2,5 мм (в комплекте)
- 5 Регулировочная гайка для конусообразного стопора



- 6 Рычаг педали
- 7 Пластиковая прокладка

- 8 Металлическая педаль

ВНИМАНИЕ!

Перед эксплуатацией данного изделия внимательно ознакомьтесь с настоящей инструкцией и сохраните ее на будущее.



Из соображений безопасности никогда не нажимайте на педали босой ногой или ногой в носке (без обуви).

КОМПАНИЯ THRUSTMASTER® ОТКАЗЫВАЕТСЯ ОТ ЛЮБОЙ ОТВЕТСТВЕННОСТИ В СЛУЧАЕ ПОЛУЧЕНИЯ ТРАВМЫ В РЕЗУЛЬТАТЕ НАЖИМАНИЯ НА ПЕДАЛИ НЕОБУТЫМИ НОГАМИ.



Предупреждение — опасность защемления pedalным блоком во время игры

- * Храните pedalный блок вне доступа детей.
- * Во время игры ни в коем случае не кладите пальцы рук или ног на педали и не засовывайте их с боковых сторон pedalного блока.
- * Во время игры ни в коем случае не кладите пальцы рук или ног на педали и не засовывайте их с задней стороны pedalного блока.
- * Во время игры ни в коем случае не кладите пальцы рук или ног на педали и не засовывайте их с передней стороны pedalного блока.

НЕЛЬЗЯ



НЕЛЬЗЯ



НЕЛЬЗЯ



АВТОМАТИЧЕСКАЯ КАЛИБРОВКА ПЕДАЛЕЙ



- Во избежание проблем с калибровкой ни в коем случае не подключайте и не отключайте педальный блок от базы руля, пока рулевая система подключена к консоли PS3™ или PS4™, а также во время игры.
- Педальный блок следует подключать к рулевой системе, прежде чем она будет подключена к консоли PS3™ или PS4™.
- После автокалибровки руля и запуска игры автоматически несколькими нажатиями на педали запускается автоматическая калибровка педалей.
- Во избежание проблем с калибровкой ни в коем случае не нажимайте на педали во время автокалибровки и во время запуска игры.
- Если педали не работают должным образом или кажутся неверно откалиброванными, выключите консоль, полностью отсоедините рулевую систему и заново подключите все кабели (в том числе кабель питания и кабель педального блока, включите консоль и перезапустите игру).

ЗАКРЕПЛЕНИЕ ПЕДАЛЬНОГО БЛОКА В КОКПИТЕ

- Закрепите педальный блок с помощью небольших резьбовых отверстий на его нижней поверхности.
- Закрутите два винта М6 (не входят в комплект) в площадку для педального блока и в два небольших винтовых отверстия на нижней стороне педального блока.

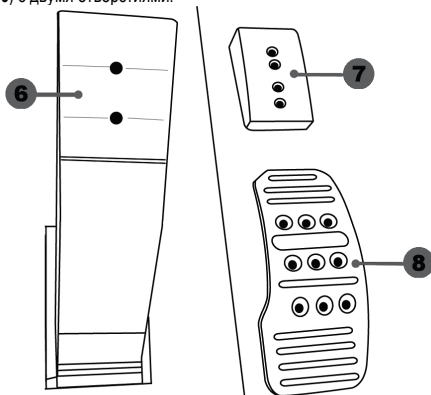
Важно! Длина винтов М6 не должна превышать толщину площадки больше чем на 10 мм во избежание повреждений внутренних деталей педального блока.

Компоновочные схемы для кокпитов (размещение базы рулевого колеса и/или педального блока) можно найти на сайте <http://support.thrustmaster.com>. Щелкните Гоночные рули / TMX Force Feedback и выберите Инструкция по эксплуатации или Часто задаваемые вопросы.

РЕГУЛИРОВКА ПЕДАЛЬНОГО БЛОКА

Конструкция педалей:

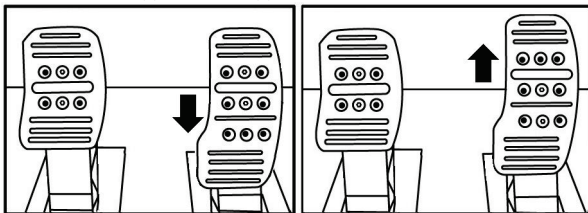
- металлическая площадка педали (8) с несколькими отверстиями (9 отверстий на педали газа, 6 — на педали тормоза, 6 — на педали сцепления);
- пластиковая прокладка для площадки (7) (крепится между площадкой и рычагом) с четырьмя отверстиями;
- рычаг педали (6) с двумя отверстиями.



ВНИМАНИЕ! Во избежание проблем с калибровкой обязательно отключайте USB-кабель, прежде чем как-либо регулировать педальный блок.

Регулировка педали газа по ВЫСОТЕ

- С помощью входящего в комплект шестигранного ключа 2,5 мм (4) открутите 2 винта, удерживающих металлическую площадку (8) и прокладку (7).
- Выберите нужную высоту педали и заново закрутите винты для жесткой фиксации металлической площадки (8) и прокладки (7).



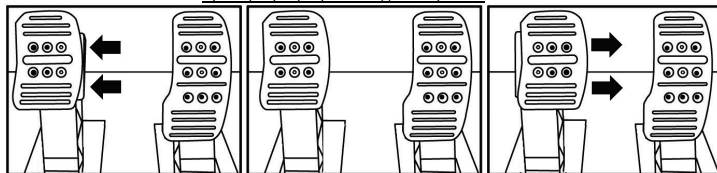
Нижнее положение (по умолч.)

Высокое положение

Регулировка РАССТОЯНИЯ между тремя педалями

- С помощью входящего в комплект шестигранного ключа 2,5 мм (4) открутите 2 винта, удерживающих металлическую площадку (8) и прокладку (7).
- Выберите нужное положение педали (слева, по центру или справа) и заново закрутите винты для жесткой фиксации металлической площадки (8) и прокладки (7).

Примеры регулировки педали тормоза:



Левое положение

Центральное положение (по умолч.)

Правое положение

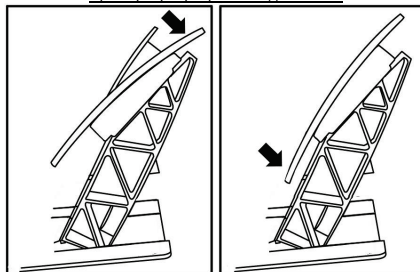
Количество возможных положений для педали:

- 3 для педали газа;
- 3 для педали тормоза;
- 3 для педали сцепления.

Регулировка УГЛА НАКЛОНА педалей

- С помощью входящего в комплект шестигранного ключа 2,5 мм (4) открутите 2 винта, удерживающих металлическую площадку (8) и прокладку (7).
- Поверните пластиковую прокладку (7) на 180° и заново закрутите винты для жесткой фиксации металлической площадки (8) и прокладки (7).

Примеры регулировки педали газа:



Угол наклона меньше

Угол наклона больше (по умолч.)

Количество возможных положений для педали:

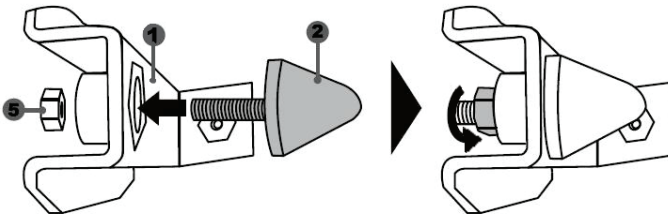
- 2 для педали газа;
- 2 для педали тормоза;
- 2 для педали сцепления.

Установка конусообразного стопора (конфигурация CONICAL RUBBER BRAKE mod)

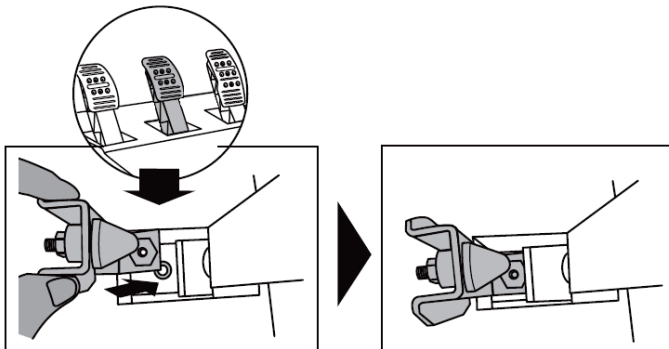
Данная конфигурация (mod) необязательна, поэтому стопор по умолчанию не установлен. Это означает, что педаль тормоза превосходно работает и без установленного стопора mod.

Стопор mod позволяет добиться новых ощущений и сопротивления при торможении. Пользователь по своему усмотрению решает, следует ли его устанавливать.

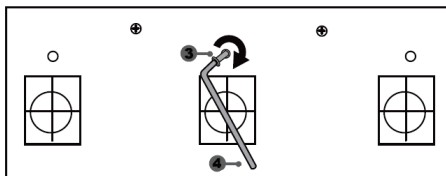
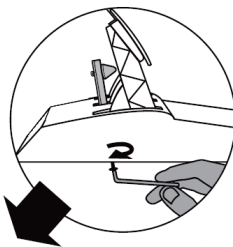
- Вкрутите конусообразный стопор (2) в металлическую базу (1).
- Накрутите регулировочную гайку (5) снизу (на винт конусообразного стопора).



- Разместите модуль позади рычага педали тормоза.



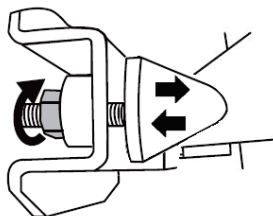
- Закрепите модуль с помощью шестигранного ключа 2,5 мм (4), вкрутив крепежный винт (3) в небольшое резьбовое отверстие на нижней стороне педального блока.



Модуль CONICAL RUBBER BRAKE мод установлен!

Регулировка ШАГА педали тормоза и СИЛЫ сопротивления

Слегка ослабив гайку (5) и сдвинув конусообразный стопор (2) к задней части рычага педали, можно еще больше усилить сопротивление педали тормоза (при необходимости дотяните гайку с помощью 14-мм ключа или пассатижей, закрепив выбранное положение). Чем ближе к задней части рычага педали расположен конусообразный стопор, тем больше сила сопротивления.



Примечание: если конусообразный стопор расположен слишком близко к задней части рычага педали, могут возникнуть проблемы с достижением максимального значения калибровки. В этом случае:

- * медленно со всей силы надавите на педаль тормоза, чтобы выжать ее до упора (при необходимости быстро наступите на педаль всем весом — но только на мгновение), затем отпустите педаль; или
- * отодвиньте конусообразный стопор от задней части рычага педали.

Сведения о потребительской гарантии

Корпорация Guillemot Corporation S.A., зарегистрированная по адресу Place du Granier, B.P. 97143, 35571 Chantepie, Франция, (далее — «Guillemot») гарантирует своим клиентам во всем мире, что в данном изделии Thrustmaster не будет выявлено никаких дефектов материалов и производства в течение гарантийного периода, который равен сроку предъявления претензии по соответствию для данного изделия. В странах Европейского Союза этот срок соответствует двум (2) годам с момента поставки изделия Thrustmaster. В других странах гарантийный период равен сроку предъявления претензии по соответствию для изделия Thrustmaster, определяемому соответствующим законодательством страны, в которой проживал потребитель на момент приобретения изделия Thrustmaster (если подобные претензии не действуют в соответствующей стране, гарантийный период равняется одному (1) году с первоначальной даты приобретения изделия Thrustmaster).

В случае обнаружения дефектов изделия во время гарантийного периода незамедлительно обратитесь в службу технической поддержки, сотрудники которой определят дальнейшую процедуру. Если дефект будет подтвержден, изделие следует вернуть по месту приобретения (или в любое другое место, указанное службой технической поддержки).

В рамках действия гарантии дефектное изделие будет, по усмотрению службы технической поддержки, заменено или возвращено в рабочее состояние. Если в течение гарантийного срока изделие Thrustmaster будет подвержено такому восстановлению, к оставшемуся гарантийному сроку прибавляется период времени, но не менее семи (7) дней, во время которого изделие находилось вне употребления (началом этого периода считается дата запроса покупателя о вмешательстве или дата предоставления дефектного изделия для восстановления, если изделие было предоставлено для восстановления позднее, чем был сделан запрос о вмешательстве). В мере, разрешенной применимым законодательством, полная ответственность компании Guillemot и ее дочерних компаний (в том числе косвенный ущерб) ограничивается восстановлением рабочего состояния или заменой изделия Thrustmaster. В мере, разрешенной применимым законодательством, компания Guillemot отказывается от любых гарантий коммерческой пригодности или пригодности для определенной цели.

Настоящая гарантия не распространяется: (1) на ситуации, когда изделие было видоизменено, открыто, модифицировано или получило повреждения в результате недопустимого или неправильного использования, небрежности или несчастного случая, естественного износа или любой другой причины, не связанной с дефектом материалов или производства (включая, помимо прочего, использование изделия Thrustmaster совместно с любыми неподходящими элементами, в частности — с блоками питания, аккумуляторами, зарядными устройствами и любыми другими элементами, не входящими в комплектацию Guillemot для данного изделия); (2) на случаи использования продукта в любых целях, кроме бытовых, в том числе на случаи профессионального или коммерческого применения (например, в игровых залах, для проведения обучения и соревнований); (3) на ситуации, когда указания службы технической поддержки не были выполнены; (4) на ПО, так как на такое ПО распространяется отдельная гарантия; (5) на расходные материалы (элементы, предназначенные для замены в течение срока службы изделия: например, батарейки и ушные подушки для гарнитур или наушников); (6) на аксессуары (например, кабели, чехлы, сумки, футляры, наручные ремешки); (7) на случаи продажи изделия с открытого аукциона.

Данная гарантия не подлежит передаче.

Настоящая гарантия не ущемляет прав потребителя, предоставляемых ему применимыми законами в отношении продажи потребительских товаров в соответствующей стране.

Дополнительные условия гарантии

В течение гарантийного срока компания Guillemot, в общем и целом, не предоставляет никаких запасных частей, так как вскрытие и/или модификацию любых изделий Thrustmaster вправе осуществлять только служба технической поддержки (за исключением каких-либо процедур по модификации, которые служба технической поддержки может предложить выполнить клиенту путем письменных инструкций и предоставления, при необходимости, требуемых запасных частей: например, в связи с отсутствием статуса сложности или конфиденциальности у такой восстановительной процедуры).

С учетом периода освоения новых изделий и в целях защиты своих ноу-хау и коммерческих тайн компания Guillemot, в общем и целом, не предоставляет каких-либо уведомлений о восстановлении или запасных частей для любых изделий Thrustmaster с истекшим гарантийным сроком.

Ответственность

В мере, разрешенной применимым законодательством, компания Guillemot Corporation S.A. (далее — «Guillemot») и ее дочерние предприятия отказываются от любой ответственности за любой ущерб, вызванный одним или несколькими из следующих факторов: (1) видоизменение, вскрытие или модификация изделия; (2) несоблюдение инструкций по сборке; (3) недопустимое или неправильное использование, небрежность, несчастный случай (например, физическое воздействие); (4) естественный износ; (5) использование продукта в любых целях, кроме бытовых, в том числе профессиональное или коммерческое применение (например, в игровых залах, для проведение обучения и соревнований). В мере, разрешенной применимым законодательством, компания Guillemot и ее дочерние предприятия отказываются от любой ответственности за любой ущерб, не связанный с дефектами материалов или изготовления, в отношении данного изделия (включая, помимо прочего, любой ущерб, вызванный прямо или опосредованно любым программным обеспечением или использованием изделия Thrustmaster с любыми неподходящими элементами, в частности — блоками питания, аккумуляторами, зарядными устройствами и любыми другими элементами, не входящими в комплектацию Guillemot для данного изделия).

THRUSTMASTER®

ТЕХНИЧЕСКОЙ ПОДДЕРЖКИ

<http://support.thrustmaster.com>



АВТОРСКОЕ ПРАВО

© 2016 Guillemot Corporation S.A. Все права защищены. Thrustmaster® является зарегистрированной торговой маркой Guillemot Corporation. Все прочие торговые марки являются собственностью соответствующих владельцев. Иллюстрации могут не соответствовать внешнему виду/функциям конкретного изделия. Содержание руководства, конструкция и технические характеристики изделия изменяются без предварительного уведомления и зависят от страны приобретения.

РЕКОМЕНДАЦИИ ПО ЗАЩИТЕ ОКРУЖАЮЩЕЙ СРЕДЫ



После окончания срока службы данное изделие не следует утилизировать вместе с бытовым мусором, но в пункте сбора отходов электрического и электронного оборудования.

Данное указание подтверждается соответствующим символом, нанесенным на изделие, руководство пользователя или упаковку.

В зависимости от свойств, материалы могут передаваться в повторную переработку. Повторная переработка отходов электрического и электронного оборудования может внести значительный вклад в сохранение окружающей среды.

Обратитесь в местные органы власти за информацией о ближайшем пункте приема таких отходов.

При использовании изделием учитывайте следующее. Цвета и украшения могут различаться. Настоящий продукт соответствует всем стандартам в отношении детей в возрасте 16 лет и старше. Использование данного продукта детьми младше 16 лет недопустимо.

При использовании изделием учитывайте следующее: цвета и дизайн могут различаться. Пластиковые стяжки и клейкую ленту следует снять перед использованием изделия.

www.thrustmaster.com

EAC

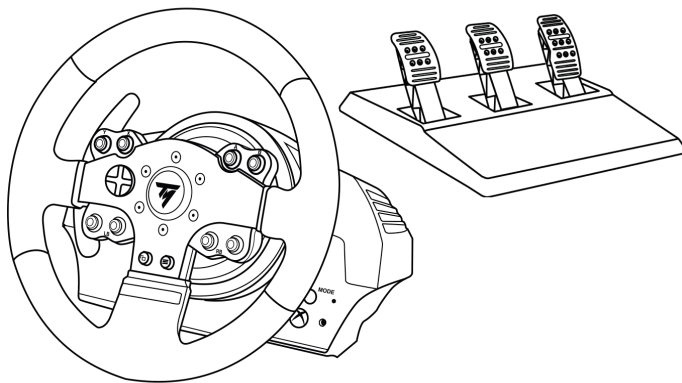


TMX PRO

FORCE FEEDBACK

ΓΙΑ XBOX ONE Η PC

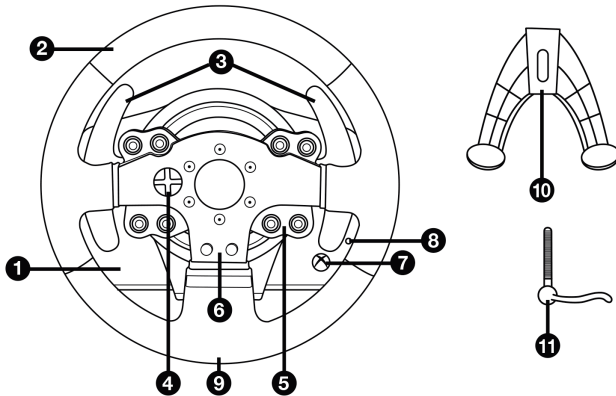
Εγχειρίδιο χρήσης



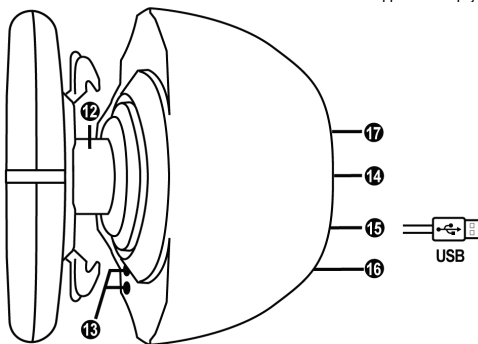
ΠΡΟΕΙΔΟΠΟΙΗΣΗ:

Για να βεβαιωθείτε ότι η τιμονιέρα TMX Racing Wheel λειτουργεί σωστά με τα παιχνίδια για την κονσόλα Xbox One ή για PC, ίσως χρειαστεί να εγκαταστήσετε τις αυτόματες ενημερώσεις του κάθε παιχνιδιού (είναι διαθέσιμα όταν το σύστημα παιχνιδιών είναι συνδεδεμένη στο Internet).

ΤΕΧΝΙΚΑ ΧΑΡΑΚΤΗΡΙΣΤΙΚΑ



- | | |
|---|---|
| 1 Βάση TMX | 7 Κουμπί Xbox Guide + λυχνία ένδειξης σε λευκό |
| 2 Τιμόνι | 8 Κουμπί MODE + λυχνία ένδειξης με κόκκινο/πράσινο χρώμα |
| 3 2 μοχλοί αλλαγής ταχυτήτων σειριακής διάταξης (Up & Down) | 9 Οπή μεγάλου σπειρώματος (για σύστημα προσάρτησης και βίδα σύσφιξης) |
| 4 Σταυρός κατευθύνσεων πολλών κατευθύνσεων | 10 Σύστημα προσάρτησης |
| 5 Κουμπιά δράσης | 11 Μεταλλική βίδα σύσφιξης |



- | | |
|--|---|
| 12 Άξονας τιμονιού | 15 Καλώδιο USB και υποδοχή αγωνιστικού τιμονιού |
| 13 Κουμπί Xbox Guide + λυχνία ένδειξης σε λευκό | 16 Υποδοχή μοχλού αλλαγής ταχυτήτων (το κιβώτιο ταχυτήτων πωλείται χωριστά) |
| 14 Καλώδιο τροφοδοσίας ή Υποδοχή παροχής ρεύματος (ποικίλλει από χώρα σε χώρα) | 17 Υποδοχή σει πεντάλ |

ΠΡΟΕΙΔΟΠΟΙΗΣΕΙΣ

Πριν χρησιμοποιήσετε αυτό το προϊόν, διαβάστε προσεκτικά το παρόν εγχειρίδιο και φυλάξτε το για μελλοντική αναφορά.



Προειδοποίηση – Ηλεκτροπληξία

- * Κρατήστε αυτό το προϊόν σε στεγνό μέρος και μην το εκθέτετε σε σκόνη ή στον ήλιο.
- * Μην περιστρέφετε ή τραβάτε τις υποδοχές και τα καλώδια.
- * Μην ρίχνετε υγρό στο προϊόν και τις υποδοχές του.
- * Μην βραχυκυκλώνετε το προϊόν.
- * Ποτέ μην αποσυναρμολογείτε το προϊόν. Μην ρίχνετε το προϊόν σε φωτιά και μην το εκθέτετε σε υψηλές θερμοκρασίες.
- * Μην χρησιμοποιείτε άλλο καλώδιο τροφοδοσίας πέρα από αυτό που παρέχεται μαζί με την τιμονιέρα σας.
- * Μην χρησιμοποιείτε το καλώδιο του αντάππορα δικτύου εάν το καλώδιο ή οι συνδέσεις έχουν φθορές, έχουν διαχωριστεί ή κοπεί.
- * Βεβαιωθείτε ότι το καλώδιο παροχής ρεύματος έχει τοποθετηθεί σωστά στην πρίζα και είναι σωστά συνδεδεμένο στην υποδοχή που βρίσκεται στην πίσω όψη της βάσης της τιμονιέρας.
- * Μην ανοίγετε την τιμονιέρα: δεν υπάρχουν ανταλλακτικά μέσα που μπορούν να επιδιορθωθούν από τον χρήστη. Οποιαδήποτε συντήρηση πρέπει να πραγματοποιείται από τον κατασκευαστή, τον εξουσιοδοτημένο αντιπρόσωπο ή κάποιον εξειδικευμένο τεχνικό.
- * Χρησιμοποιείτε μόνο πρόσθετα του συστήματος/αξεσουάρ που καθορίζει ο κατασκευαστής.
- * Εάν η τιμονιέρα λειτουργεί με ασυνήθιστο τρόπο (εάν ακούγονται περίεργοι ήχοι, εκπέμπεται θερμότητα ή αναδύονται οσμές), σταματήστε τη χρήση αμέσως, αποσυνδέστε το καλώδιο τροφοδοσίας από την πρίζα και αποσυνδέστε τα υπόλοιπα καλώδια.
- * Αν δεν σκοπεύετε να χρησιμοποιήσετε την τιμονιέρα για μεγάλο χρονικό διάστημα, αποσυνδέστε το καλώδιο παροχής ρεύματος από την πρίζα.
- * Χρησιμοποιείτε μόνο την παροχή ρεύματος που παρέχεται με την τιμονιέρα σας (σε περίπτωση που υπάρχει εξωτερική παροχή ρεύματος).
- * Η πρίζα πρέπει να βρίσκεται κοντά στον εξοπλισμό και πρέπει να είναι εύκολα προσβάσιμη.



Αεραγωγοί

Βεβαιωθείτε ότι δεν μπλοκάρете κανέναν από τους αεραγωγούς στη βάση της τιμονιέρας. Για τον καλύτερο δυνατό αερισμό, ακολουθήστε τις παρακάτω οδηγίες:

- * Τοποθετήστε τη βάση του τιμονιού τουλάχιστον 10 εκατοστά μακριά από τους τοίχους.
- * Μην τοποθετείτε τη βάση σε στενούς χώρους.
- * Μην καλύπτετε τη βάση.
- * Μην αφήνετε να συσσωρευτεί σκόνη επάνω στους αεραγωγούς.



Για λόγους ασφάλειας, ποτέ μην χρησιμοποιείτε το σετ των πεντάλ ζυπόλητοι ή φορώντας μόνο κάλτσες.

H THRUSTMASTER® ΑΠΟΠΟΙΕΙΤΑΙ ΟΠΟΙΑΣΔΗΠΟΤΕ ΕΥΘΥΝΗΣ ΣΕ ΠΕΡΙΠΤΩΣΗ ΤΡΑΥΜΑΤΙΣΜΟΥ ΠΟΥ ΠΡΟΚΑΛΕΙΤΑΙ ΑΠΟ ΤΗ ΧΡΗΣΗ ΤΟΥ ΣΕΤ ΤΩΝ ΠΕΝΤΑΛ ΧΩΡΙΣ ΠΑΠΟΥΤΣΙΑ.



Προειδοποίηση – Τραυματισμοί λόγω τεχνολογίας Force Feedback και επαναλαμβανόμενων κινήσεων

Το παιχνίδι με ένα τιμόνι τεχνολογίας Force Feedback ενδοχόμενως να προκαλέσει πόνο στους μύες ή στις αρθρώσεις. Προς αποφυγή οποιοσδήποτε προβλημάτων:

- * Αποφύγετε να παίζετε συνεχόμενα για μεγάλο χρονικό διάστημα.
- * Κάντε διαλείμματα διάρκειας 10 έως 15 λεπτών μετά από κάθε μία ώρα παιχνιδιού.
- * Αν νιώσετε κόπωση ή πόνο σε χέρια, καρπούς, μπράτσα, πέλματα ή πόδια, σταματήστε το παιχνίδι και ξεκουραστείτε για μερικές ώρες πριν αρχίσετε ξανά το παιχνίδι.



Προειδοποίηση – Τραυματισμοί λόγω τεχνολογίας Force Feedback και επαναλαμβανόμενων κινήσεων (συνέχεια)

- * Αν τα συμπτώματα ή ο πόνος που αναφέρθηκαν παραπάνω επιμένουν όταν αρχίσετε ξανά το παιχνίδι, σταματήστε να παίξετε και επισκεφτείτε τον ιατρό σας.
- * Κρατήστε το προϊόν μακριά από παιδιά.
- * Κατά τη διάρκεια του παιχνιδιού, έχετε πάντα και τα δύο χέρια σωστά τοποθετημένα στο τιμόνι χωρίς να το αφήνετε εντελώς.
- * Κατά τη διάρκεια των παιχνιδιών, ποτέ μην τοποθετείτε τα χέρια ή τα δάκτυλά σας κάτω από τα πεντάλ ή οπουδήποτε κοντά στο σετ των πεντάλ.
- * Κατά τη διάρκεια της βαθμονόμησης και του παιχνιδιού, ποτέ μην τοποθετείτε το χέρι ή το μπράτσο σας μέσα στα ανοίγματα της τιμονιέρας.
- * Βεβαιωθείτε ότι η βάση της τιμονιέρας είναι σωστά ασφαλισμένη, σύμφωνα με τις οδηγίες αυτού του εγχειριδίου.

ΒΑΡΥ ΠΡΟΪΟΝ



Το προϊόν προορίζεται για χρήστες
14 ετών ή μεγαλύτερους



Προσέχετε να μην ρίξετε το προϊόν επάνω
σας ή επάνω σε κάποιον άλλον!

ΠΑΝΤΑ



ΠΟΤΕ



ΠΟΤΕ



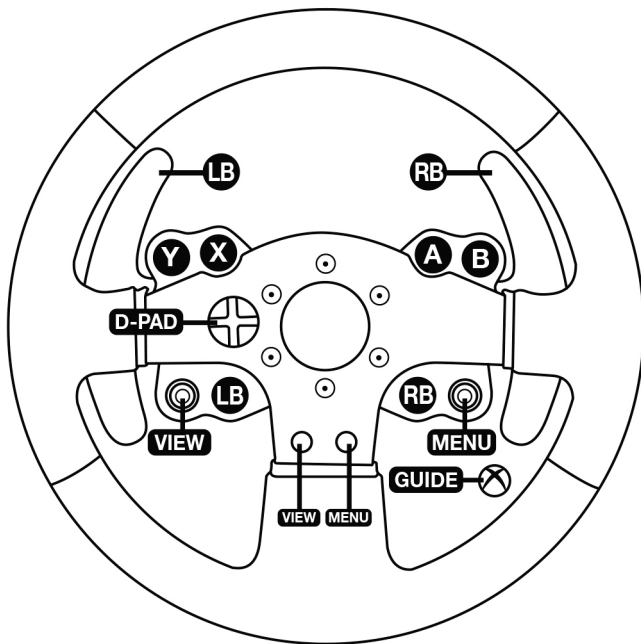
ΡΥΘΜΙΣΗ ΤΗΣ ΤΙΜΟΝΙΕΡΑΣ ΓΙΑ XBOX ONE

1. Συνδέστε το σετ των πεντάλ στην υποδοχή (17) που βρίσκεται στο πίσω μέρος της βάσης της τιμονιέρας.
2. Συνδέστε το καλώδιο τροφοδοσίας στην υποδοχή (14) που βρίσκεται στο πίσω μέρος της βάσης της τιμονιέρας.
3. Συνδέστε το καλώδιο τροφοδοσίας σε μια πρίζα με τις ίδιες προδιαγραφές τάσης.
4. Συνδέστε την υποδοχή USB της τιμονιέρας (15) σε μία από τις θύρες USB του συστήματος.
5. Αφού ενεργοποιήσετε το σύστημά σας, η τιμονιέρα σας θα βαθμονομηθεί αυτόματα.

Τώρα είστε έτοιμοι για παιχνίδι!

- Η λίστα με συμβατά παιχνίδια του Xbox One με το τιμόνι **TMX Force Feedback** υπάρχει διαθέσιμη στον ιστότοπο: <http://support.thrustmaster.com> (κάντε κλικ στις επιλογές **Racing Wheels / TMX Force Feedback**). Αυτή η λίστα ανανεώνεται τακτικά.

ΑΝΤΙΣΤΟΙΧΙΣΗ ΓΙΑ XBOX ONE



ΡΥΘΜΙΣΗ ΤΗΣ ΤΙΜΟΝΙΕΡΑΣ ΓΙΑ PC

1. Μεταβείτε στη διεύθυνση <http://support.thrustmaster.com> για λήψη των οδηγιών και του λογισμικού Force Feedback για PC. Κάντε κλικ στις επιλογές Wheels (Τιμόνια)/TMX Force Feedback, έπειτα επιλέξτε Drivers (Οδηγοί).

2. Μετά την ολοκλήρωση της λήψης, εκκινήστε την εγκατάσταση και ακολουθήστε τις οδηγίες στην οθόνη για να συνδέσετε την υποδοχή USB του τιμονιού στον υπολογιστή σας και να ολοκληρώσετε την εγκατάσταση.

3. Μόλις η εγκατάσταση ολοκληρωθεί, κάντε κλικ στο κουμπί Finish (Τέλος) και επανεκκινήστε τον υπολογιστή σας.

4. Επιλέξτε Start (Έναρξη)/All Programs (Όλα τα προγράμματα)/Thrustmaster/FFB Racing Wheel (Τιμονιέρα FFB)/Control Panel (Πίνακας ελέγχου).

Το παράθυρο διαλόγου για τους Ελεγκτές παιχνιδιού εμφανίζει το όνομα της τιμονιέρας Thrustmaster TMX Racing Wheel με την ένδειξη OK.

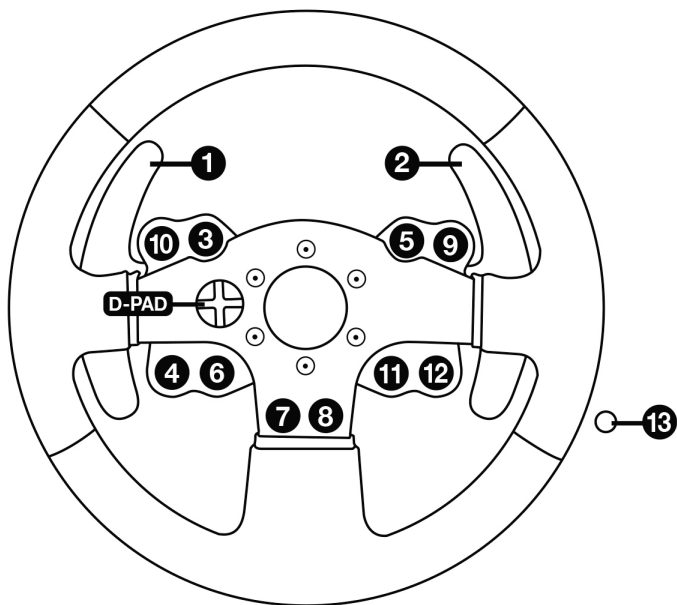
5. Κάντε κλικ στην επιλογή Properties (ιδιότητες) για να διαμορφώσετε το τιμόνι σας στον πίνακα ελέγχου TMX:

- Καρτέλα Εισαγωγή δοκιμής: επιτρέπει να δοκιμάσετε και να δείτε όλα τα κουμπιά δράσης, τα κουμπιά κατεύθυνσης, τους άξονες του τιμονιού και των πεντάλ, καθώς και να ρυθμίσετε τη γωνία περιστροφής του τιμονιού στα παιχνίδια που παίζετε στον υπολογιστή σας.
- Καρτέλα Δοκιμή δυνάμεων: επιτρέπει να δοκιμάσετε 12 εφέ λειτουργίας force feedback.
- Καρτέλα Ρυθμίσεις ενίσχυσης: επιτρέπει να ρυθμίσετε την ισχύ των εφέ της λειτουργίας force feedback στα παιχνίδια που παίζετε στον υπολογιστή σας.

Τώρα είστε έτοιμοι για παιχνίδι!

Γενικές σημειώσεις:

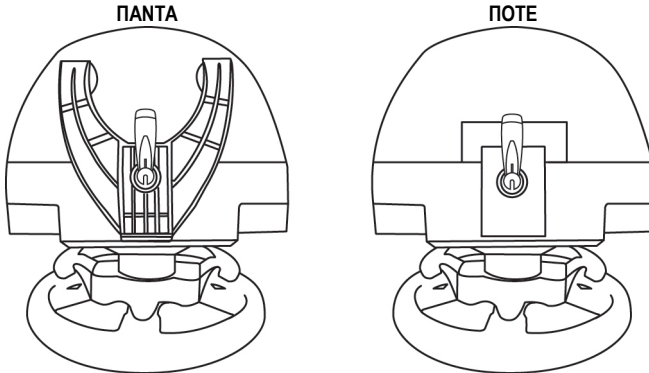
- Σε PC, πατήστε το OK για να κλείσετε το παράθυρο για τους Ελεγκτές παιχνιδιού πριν ξεκινήσετε το παιχνίδι σας.
- Σε PC, οι ρυθμίσεις που εκτελούνται στο παράθυρο για τους Ελεγκτές παιχνιδιού θα αποθηκευτούν μόνο στον υπολογιστή σας (επομένως, δεν θα έχουν ισχύ στο Xbox One).
- Η έκδοση του υλικολογισμικού του τιμονιού σας εμφανίζεται στην επάνω δεξιά γωνία στις καρτέλες του πίνακα ελέγχου TMX Force Feedback.



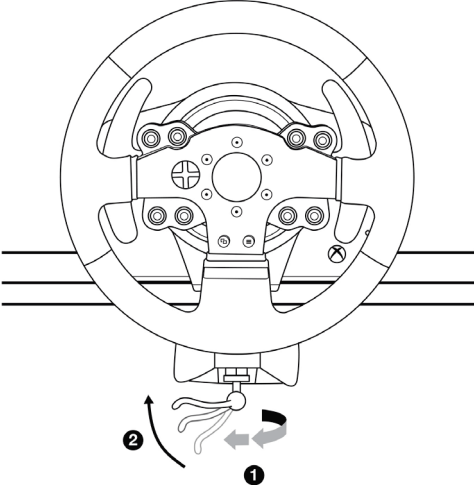
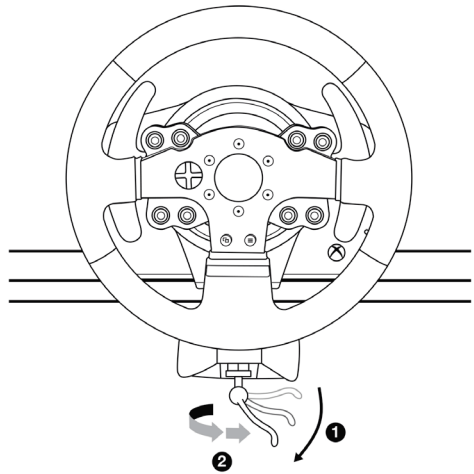
ΠΡΟΣΑΡΤΗΣΗ ΤΙΜΟΝΙΕΡΑΣ

Τοποθέτηση τιμονιέρα σε τραπέζι ή γραφείο

1. Τοποθετήστε την τιμονιέρα σε τραπέζι ή οποιαδήποτε άλλη οριζόντια, επίπεδη και σταθερή επιφάνεια.
2. Εισάγετε τη βίδα σύσφιξης (11) στο σύστημα προσάρτησης (10), μετά σφίξτε τη συσκευή στρέφοντας τη βίδα σύσφιξης αριστερόστροφα, ώστε να στερεωθεί στην οπή του μεγάλου σπειρώματος (9) κάτω από την τιμονιέρα, έως ότου το τιμόνι είναι εντελώς σταθερό.



ΠΡΟΕΙΔΟΠΟΙΗΣΗ: Μην σφίγγετε τη βίδα μόνη της, χωρίς να βρίσκεται το σύστημα προσάρτησης στη θέση του!
(Αυτό θα μπορούσε να προκαλέσει ζημιά στην τιμονιέρα).

ΠΡΟΣΑΡΤΗΣΗ/ΑΦΑΙΡΕΣΗ	ΚΑΤΕΥΘΥΝΣΗ
<p><u>Για να σφίξετε:</u></p> <p>Στρέψτε τη βίδα αριστερόστροφα</p>	
<p><u>Για ελευθέρωση:</u></p> <p>Στρέψτε τη βίδα δεξιόστροφα</p>	

ΑΥΤΟΜΑΤΗ ΒΑΘΜΟΝΟΜΗΣΗ ΤΙΜΟΝΙΟΥ

Η βαθμονόμηση της τιμονιέρας πραγματοποιείται αυτόματα όταν συνδέετε την τιμονιέρα στο ρεύμα και την υποδοχή USB της τιμονιέρας στο σύστημα Xbox One.

Στη διάρκεια αυτής της φάσης, το τιμόνι θα περιστρέφεται γρήγορα προς αριστερά και δεξιά, καλύπτοντας μια γωνία 900°, προτού σταματήσει στο κέντρο.

ΠΡΟΕΙΔΟΠΟΙΗΣΗ: Ποτέ μην αγγίζετε το τιμόνι κατά τη διάρκεια της φάσης της αυτόματης βαθμονόμησης! (Μια τέτοια ενέργεια θα μπορούσε να προκαλέσει λανθασμένη βαθμονόμηση και/ή τραυματισμούς).

ΚΟΥΜΠΙ MODE ΚΑΙ ΛΥΧΝΙΑ ΕΝΔΕΙΞΗΣ (8)

Κουμπί MODE για το σετ των πεντάλ

Η τιμονιέρα TMX Force Feedback είναι επίσης συμβατή με το σετ των πεντάλ της Thrustmaster που διαθέτει 3 πεντάλ (πωλούνται ξεχωριστά). Αυτά σας παρέχουν τη δυνατότητα να πραγματοποιείτε ηλεκτρονική εναλλαγή στο πεντάλ του γκαζιού και του συμπλέκτη.

Για να το κάνετε αυτό, απλώς πατήστε το κουμπί MODE (8) για 2 δευτερόλεπτα.

Στην εσωτερική μνήμη της τιμονιέρας αποθηκεύεται εάν έχει πραγματοποιηθεί ή όχι εναλλαγή των πεντάλ.

ΠΕΝΤΑΛ ΓΚΑΖΙΟΥ ΚΑΙ ΣΥΜΠΛΕΚΤΗ	Χρώμα της λυχνίας ένδειξης του κουμπιού MODE (8)
ΚΑΝΟΝΙΚΑ	ΚΟΚΚΙΝΟ ΧΡΩΜΑ
ΕΝΑΛΛΑΓΗ	ΠΡΑΣΙΝΟ ΧΡΩΜΑ



ΠΡΟΕΙΔΟΠΟΙΗΣΗ:

Όταν χρησιμοποιείτε αυτό το σετ των πεντάλ, βεβαιωθείτε ότι η λυχνία ένδειξης παραμένει αναμμένη με κόκκινο χρώμα, διαφορετικά το πεντάλ του γκαζιού δεν θα λειτουργεί σωστά.

Άλλες συμβουλές για το κουμπί MODE

Για να μάθετε περισσότερα σχετικά με το κουμπί MODE και τη λυχνία ένδειξης, επισκεφθείτε τον ιστότοπο <http://support.thrustmaster.com>. Κάντε κλικ στις επιλογές Racing Wheels / TMX Force Feedback, και μετά επιλέξτε Manual ή FAQ.

ΕΝΗΜΕΡΩΣΗ ΤΟΥ ΥΛΙΚΟΛΟΓΙΣΜΙΚΟΥ ΤΗΣ ΤΙΜΟΝΙΕΡΑΣ ΣΑΣ

Είναι δυνατή η ενημέρωση του υλικολογισμικού που περιλαμβάνεται στη βάση της τιμονιέρας σας σε μια πιο πρόσφατη έκδοση με τις βελτιώσεις του προϊόντος.

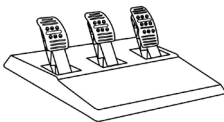
Για να εμφανίσετε την έκδοση του υλικολογισμικού που διαθέτει προς το παρόν η τιμονιέρα σας και να την ενημερώσετε αν απαιτείται: σε υπολογιστή, συνδεθείτε στον ιστότοπο <http://support.thrustmaster.com>. Κάντε κλικ στις επιλογές Racing Wheels / TMX Force Feedback, έπειτα επιλέξτε Firmware και ακολουθήστε τις οδηγίες που περιγράφουν τη διαδικασία λήψης και εγκατάστασης.

ΑΡΧΕΙΑ ΒΟΗΘΕΙΑΣ ΚΑΙ ΣΥΧΝΕΣ ΕΡΩΤΗΣΕΙΣ (ΔΕΝ ΠΕΡΙΛΑΜΒΑΝΟΝΤΑΙ ΣΕ ΑΥΤΟ ΤΟ ΕΓΧΕΙΡΙΔΙΟ)

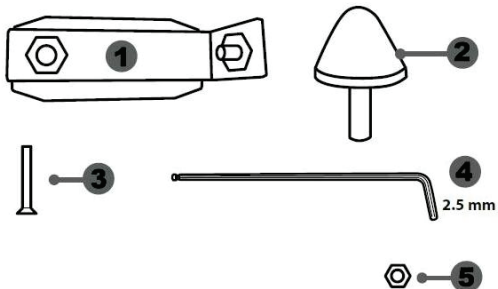
Επισκεφθείτε τον ιστότοπο <http://support.thrustmaster.com>. Κάντε κλικ στις επιλογές Racing Wheels / TMX Force Feedback, και μετά επιλέξτε Manual ή FAQ.

Αν το τιμόνι και/ή το σετ των πεντάλ δεν λειτουργούν σωστά ή αν η βαθμονόμηση φαίνεται να είναι λανθασμένη:

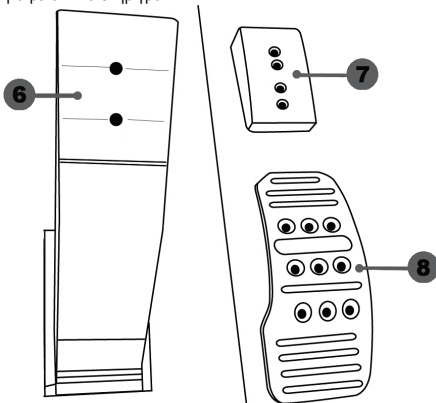
Απενεργοποιήστε το σύστημά σας και αποσυνδέστε εντελώς την τιμονιέρα. Έπειτα, επανασυνδέστε όλα τα καλώδια (μαζί με το καλώδιο παροχής ρεύματος και το σετ των πεντάλ) και επανεκκινήστε το σύστημα και το παιχνίδι σας.



ΤΕΧΝΙΚΑ ΧΑΡΑΚΤΗΡΙΣΤΙΚΑ



- 1 Μεταλλικό στήριγμα για κωνικό στοπ
(δεν εγκαθίσταται από προεπιλογή)
- 2 Κωνικό στοπ
- 3 Βίδα στερέωσης για μεταλλικό στήριγμα
- 4 Κλειδί άλεν 2,5 χιλ. (περιλαμβάνεται)
- 5 Παξιμόδι στερέωσης θέσης για κωνικό στοπ



- 6 Βραχίονας πεντάλ
- 7 Στήριγμα πλαστικής κεφαλής
- 8 Μεταλλική κεφαλή πεντάλ

ΠΡΟΕΙΔΟΠΟΙΗΣΗ

Πριν χρησιμοποιήσετε αυτό το προϊόν, πρέπει να διαβάσετε προσεκτικά αυτές τις οδηγίες και να τις φυλάξετε για μελλοντική χρήση.



Για λόγους ασφαλείας, ποτέ μην χρησιμοποιείτε το σετ των πεντάλ
ζυπόλητοι ή ενώ φοράτε μόνο κάλτσες.
Η THRUSTMASTER® ΑΠΟΠΟΙΕΙΤΑΙ ΟΠΟΙΑΣΔΗΠΟΤΕ ΕΥΘΥΝΗΣ ΣΕ
ΠΕΡΙΠΤΩΣΗ ΤΡΑΥΜΑΤΙΣΜΟΥ ΠΟΥ ΠΡΟΚΑΛΕΙΤΑΙ ΑΠΟ ΤΗ ΧΡΗΣΗ ΤΟΥ ΣΕΤ
ΤΩΝ ΠΕΝΤΑΛ ΧΩΡΙΣ ΠΑΠΟΥΤΣΙΑ.



Προειδοποίηση – Προστασία από τον κίνδυνο μαγκώματος στο σετ των πεντάλ κατά τη διάρκεια του παιχνιδιού

- * Κρατήστε το σετ των πεντάλ μακριά από παιδιά.
- * Κατά τη διάρκεια του παιχνιδιού, ποτέ μην τοποθετείτε τα δάκτυλά σας επάνω ή οπουδήποτε κοντά στις πλευρές των πεντάλ.
- * Κατά τη διάρκεια του παιχνιδιού, ποτέ μην τοποθετείτε τα δάκτυλά ή τους αντίχειρές σας επάνω ή οπουδήποτε κοντά στις πλευρές των πεντάλ.
- * Κατά τη διάρκεια του παιχνιδιού, ποτέ μην τοποθετείτε τα δάκτυλά ή τους αντίχειρές σας επάνω ή οπουδήποτε κοντά στην επάνω επιφάνεια των πεντάλ.

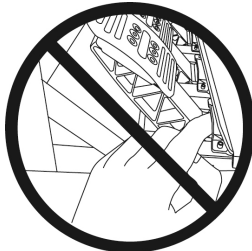
ΠΟΤΕ



ΠΟΤΕ



ΠΟΤΕ



ΑΥΤΟΜΑΤΗ ΒΑΘΜΟΝΟΜΗΣΗ ΠΕΝΤΑΛ



ΣΗΜΑΝΤΙΚΟ:

- Πότε μην συνδέετε ή αποσυνδέετε το σετ των πεντάλ από τη βάση του τιμονιού όταν το τιμόνι είναι συνδεδεμένο στην κονσόλα PS3™ ή PS4™, ή κατά τη διάρκεια του παιχνιδιού για να αποτρέψετε προβλήματα βαθμονόμησης.
- = Πάντα συνδέετε το σετ των πεντάλ στο τιμόνι πριν συνδέσετε το τιμόνι στην κονσόλα PS3™ ή PS4™.
- Αφού το τιμόνι αυτοβαθμονομηθεί και το παιχνίδι ξεκινήσει, τα πεντάλ ρυθμίζονται αυτόματα μόνα τους αφού τα πατήσετε μερικές φορές.
- Για να αποφύγετε προβλήματα βαθμονόμησης, ποτέ μην πατάτε τα πεντάλ όταν το τιμόνι αυτοβαθμονομείται ή όταν ξεκινά το παιχνίδι.
- Αν τα πεντάλ δεν λειτουργούν σωστά ή φαίνεται ότι δεν έχουν βαθμονομηθεί σωστά, απενεργοποιήστε την κονσόλα, αποσυνδέστε εντελώς το τιμόνι σας, μετά επανασυνδέστε όλα τα καλώδια (συμπεριλαμβανομένου του καλωδίου παροχής και του καλωδίου του σετ των πεντάλ), ενεργοποιήστε ξανά την κονσόλα και ξεκινήστε ξανά το παιχνίδι σας.

ΠΡΟΣΑΡΤΗΣΗ ΤΟΥ ΣΕΤ ΤΩΝ ΠΕΝΤΑΛ ΣΕ ΘΕΣΗ ΟΔΗΓΟΥ

- Προσαρτήστε το σετ των πεντάλ χρησιμοποιώντας τα μικρά σπειρώματα βιδώματος στο κάτω μέρος του σετ των πεντάλ.
- Βιδώστε τις δύο βίδες M6 (δεν περιλαμβάνονται) μέσα από την επιφάνεια στήριξης του πεντάλ στη θέση του οδηγού και μέσα από τα δύο μικρά σπειρώματα βιδών που βρίσκονται στο κάτω μέρος του σετ των πεντάλ.

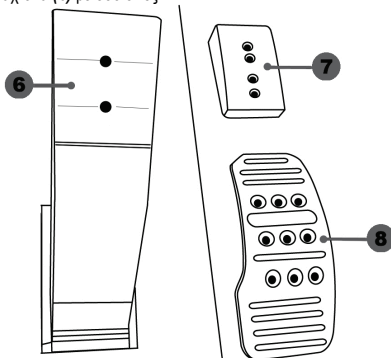
Σημαντικό: Το μήκος των δύο βιδών M6 δεν πρέπει να υπερβαίνει το πάχος της επιφάνειας στήριξης των πεντάλ στη θέση του οδηγού συν ένα πρόσθετο πάχος 10 χιλ., ώστε να αποτρέψετε τη ζημιά στα εσωτερικά εξαρτήματα του σετ των πεντάλ.

Τα διαγράμματα για τις θέσεις του οδηγού (για τοποθέτηση της βάσης της τιμονιέρας και/ή του σετ των πεντάλ) υπάρχουν διαθέσιμα στον ιστότοπο <http://support.thrustmaster.com>. Κάντε κλικ στις επιλογές **Racing Wheels / TMX Force Feedback**, και μετά επιλέξτε **Manual** ή **FAQ**.

ΡΥΘΜΙΣΗ ΤΟΥ ΣΕΤ ΤΩΝ ΠΕΝΤΑΛ

Καθένα από τα τρία πεντάλ διαθέτει:

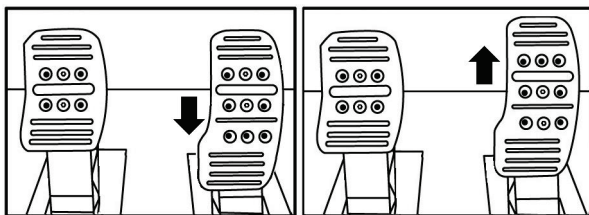
- Μια μεταλλική κεφαλή (8) με πολλές σπές (εννιά για το γκάζι – έξι για το φρένο – έξι για τον συμπλέκτη).
- Μια πλαστική κεφαλή στήριξης (7) (ανάμεσα στην κεφαλή και στον βραχίονα) με 4 σπές.
- Έναν μεταλλικό βραχίονα (6) με δύο σπές.



ΠΡΟΣΟΧΗ: Για να αποφύγετε όποια προβλήματα βαθμονόμησης, βεβαιωθείτε ότι έχετε αποσυνδέσει το καλώδιο USB του τιμονιού, πριν κάνετε οποιοσδήποτε ρυθμίσεις στο σετ των πεντάλ.

Ρύθμιση του ΥΨΟΥΣ του πεντάλ γκαζιού

- Χρησιμοποιήστε το κλειδί άλεν των 2,5 χιλ. που παρέχεται (4) ξεβιδώστε τις δύο βίδες κρατώντας τη μεταλλική κεφαλή (8) και το στήριγμά της (7) στη σωστή θέση.
- Επιλέξτε τη θέση ύψους που προτιμάτε, μετά επανατοποθετήστε και σφίξτε ξανά τις βίδες, ώστε η μεταλλική κεφαλή (8) και το στήριγμά της (7) να στερεώνονται σταθερά στη σωστή θέση.



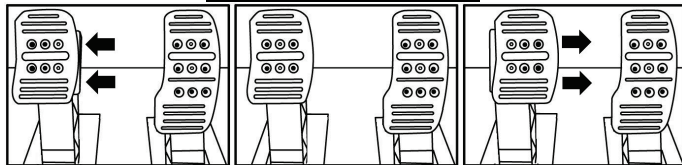
Χαμηλή θέση (προεπιλογή)

Υψηλή θέση

Ρύθμιση της ΑΠΟΣΤΑΣΗΣ των τριών πεντάλ

- Χρησιμοποιήστε το κλειδί άλεν των 2,5 χιλ. που παρέχεται (4) ξεβιδώστε τις δύο βίδες κρατώντας τη μεταλλική κεφαλή (8) και το στήριγμά της (7) στη σωστή θέση.
- Επιλέξτε τη θέση που προτιμάτε (προς τα αριστερά, στο κέντρο ή προς τα δεξιά), μετά επανατοποθετήστε και σφίξτε ξανά τις βίδες, ώστε η μεταλλική κεφαλή (8) και το στήριγμά της (7) να στερεώνονται σταθερά στη σωστή θέση.

Παραδείγματα με το πεντάλ του φρένου:



Αριστερά

Κέντρο (προεπιλογή)

Δεξιά

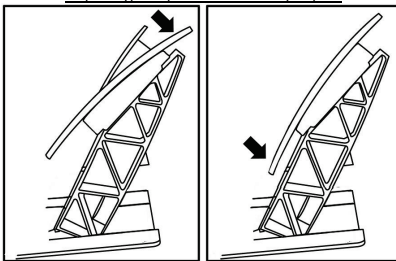
Αριθμός πιθανών θέσεων απόστασης ανά πεντάλ:

- Τρεις για το πεντάλ του γκαζιού
- Τρεις για το πεντάλ του φρένου
- Τρεις για το πεντάλ του συμπλέκτη

Ρύθμιση της ΚΛΙΣΗΣ των πεντάλ

- Χρησιμοποιήστε το κλειδί άλεν των 2,5 χιλ. που παρέχεται (4) ξεβιδώστε τις δύο βίδες κρατώντας τη μεταλλική κεφαλή (8) και το στήριγμά της (7) στη σωστή θέση.
- Στρέψτε την πλαστική κεφαλή στήριξης (7) 180°, μετά επανατοποθετήστε και σφίξτε ξανά τις βίδες, ώστε η μεταλλική κεφαλή (8) και το στήριγμά της (7) να στερεώνονται σταθερά στη σωστή θέση.

Παραδείγματα με το πεντάλ του γκαζιού:



Θέση με λιγότερη κλίση

Θέση με περισσότερη κλίση (προεπιλογή)

Αριθμός πιθανών θέσεων κλίσης ανά πεντάλ:

- Δύο για το πεντάλ του γκαζιού
- Δύο για το πεντάλ του φρένου
- Δύο για το πεντάλ του συμπλέκτη

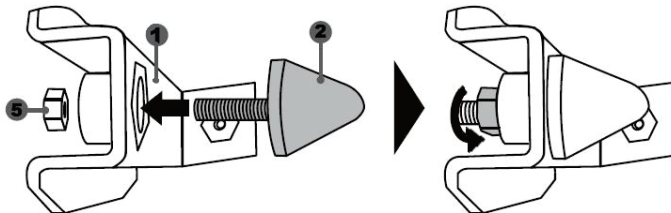
Η εγκατάσταση του κωνικού στοπ ("CONICAL RUBBER BRAKE" mod)

Αυτή η τροποποίηση (ή "mod") δεν είναι ουσιαστικής σημασίας και δεν εγκαθίσταται από προεπιλογή. Αυτό σημαίνει ότι το πεντάλ του φρένου λειτουργεί τέλεια ακόμη κι αν το mod δεν έχει εγκατασταθεί.

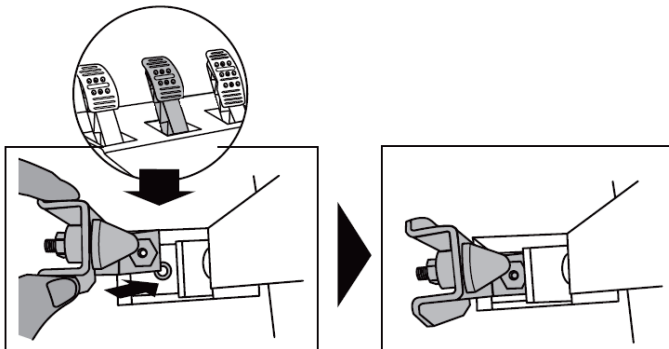
Αυτό το κουμπί mod σάς παρέχει τη δυνατότητα να βιώσετε διάφορες αισθήσεις και αντίσταση όταν πατάτε φρένο.

Είναι καθαρά δική σας προτίμηση αν θέλετε να το εγκαταστήσετε ή όχι.

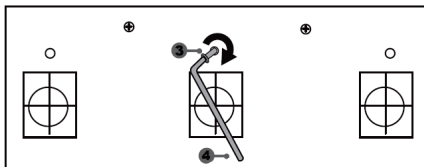
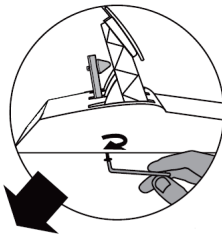
- Βιδώστε το κωνικό στοπ (2) επάνω στο μεταλλικό στήριγμα (1).
- Βιδώστε το φαξμάδι ρύθμισης θέσης (5) στο κάτω μέρος (στην κεφαλή της βίδας του κωνικού στοπ).



- Τοποθετήστε τη μονάδα στο πίσω μέρος του βραχίονα του φρένου.



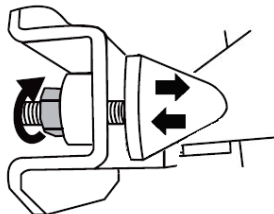
- Με ένα κλειδί άλεν 2,5 χιλ. (4), προσαρτήστε τη μονάδα χρησιμοποιώντας μια βίδα στερέωσης (3) και τη μικρή κεντρική βίδα με κεφαλή που βρίσκεται στο σετ των πεντάλ.



Τώρα το “CONICAL RUBBER BRAKE” mod έχει εγκατασταθεί!

Ρύθμιση του ΕΥΡΟΥΣ της διαδρομής του πεντάλ του φρένου και την ΙΣΧΥ της αντίστασης

Ξεβιδώνοντας ελαφρά το παξιμάδι (5), μπορείτε να αυξήσετε κι άλλο την αντίσταση του πεντάλ του φρένου μετακινώντας το κωνικό στοπ (2) πιο κοντά στο πίσω μέρος του βραχίονα του πεντάλ (αν χρειαστεί, χρησιμοποιήστε ένα κλειδί 14 mm ή πένσα για να σφίξετε ξανά το παξιμάδι και να διατηρήσετε την επιλεγμένη θέση). Όσο πιο κοντά είναι τοποθετημένο το κωνικό στοπ στο πίσω μέρος του βραχίονα του πεντάλ, τόσο μεγαλύτερη θα είναι η ισχύς της αντίστασης.



Σημείωση: Όταν το κωνικό στοπ είναι πολύ κοντά στο πίσω μέρος του βραχίονα του πεντάλ του φρένου, μπορεί να βιώσετε τη μέγιστη τιμή βαθμονόμησης. Σε αυτήν την περίπτωση:

- * Αργά, πατήστε πολύ δυνατά το πεντάλ του φρένου έτσι ώστε να φτάσετε στη μέγιστη τιμή (αν χρειαστεί, σταθείτε πολύ σύντομα επάνω στο πεντάλ – για ένα μόλις δευτερόλεπτο), μετά αφήστε ελεύθερο το πεντάλ, ή διαφορετικά
- * Μετακινήστε το κωνικό στοπ λίγο πιο πέρα από το πίσω μέρος του βραχίονα του φρένου.

Πληροφορίες εγγύησης καταναλωτή

Παγκοσμίως, η Guillemot Corporation S.A. της οποίας η εγγεγραμμένη έδρα είναι η οδός Place du Granier, B.P. 97143, 35571 Chanteprie, France (Γαλλία) (εφεξής "Guillemot") εγγυάται στον καταναλωτή ότι το προϊόν της Thrustmaster δεν παρουσιάζει ελάττωμα στο υλικό ούτε κατασκευαστικές ατέλειες για το χρονικό διάστημα της εγγύησης, το οποίο αντιστοιχεί στο χρονικό όριο για άσκηση αγωγής για συμμόρφωση αναφορικά με αυτό το προϊόν. Στις χώρες της Ε.Ε., αυτό αντιστοιχεί σε διάστημα δύο (2) ετών από την παράδοση του προϊόντος της Thrustmaster. Σε άλλες χώρες, η περίοδος εγγύησης αντιστοιχεί στο χρονικό όριο για άσκηση αγωγής για συμμόρφωση αναφορικά με το προϊόν της Thrustmaster σύμφωνα με την ισχύουσα νομοθεσία της χώρας στην οποία ο καταναλωτής διέμενε κατά την ημερομηνία αγοράς του προϊόντος της Thrustmaster (σε περίπτωση που δεν υπάρχει τέτοια ενέργεια στην αντίστοιχη χώρα, τότε η εγγύηση θα ισχύει για ένα (1) έτος από την αρχική ημερομηνία αγοράς του προϊόντος της Thrustmaster).

Σε περίπτωση που το προϊόν σας φαίνεται να είναι ελαττωματικό κατά την περίοδο της εγγύησης, επικοινωνήστε αμέσως με την Τεχνική υποστήριξη, η οποία θα υποδείξει την διαδικασία που θα ακολουθήσετε. Αν το ελάττωμα επιβεβαιωθεί, το προϊόν πρέπει να επιστραφεί στο σημείο αγοράς του (ή σε οποιοδήποτε άλλο σημείο υποδεικνύει η Τεχνική υποστήριξη).

Στα πλαίσια της εγγύησης, το ελαττωματικό προϊόν του καταναλωτή, με επιλογή της Τεχνικής υποστήριξης, είτε θα αντικατασταθεί είτε θα επιστραφεί και θα είναι σε κατάσταση λειτουργίας. Αν κατά τη διάρκεια της περιόδου εγγύησης το προϊόν της Thrustmaster υπόκειται σε τέτοιου είδους μετασκευή, οποιαδήποτε περίοδος τουλάχιστον επτά (7) ημερών κατά την οποία το προϊόν έχει τεθεί εκτός χρήσης θα προστεθεί στην εναπομένουσα περίοδο εγγύησης (αυτή η περίοδος ισχύει από την ημερομηνία του αιτήματος του καταναλωτή για παρέμβαση ή από την ημερομηνία κατά την οποία το εν λόγω προϊόν διατίθεται για μετασκευή, αν η ημερομηνία κατά την οποία το προϊόν διατίθεται για μετασκευή είναι επακόλουθη της ημερομηνίας του αιτήματος για παρέμβαση). Αν επιτρέπεται από την ισχύουσα νομοθεσία, η πλήρης ευθύνη της Guillemot και των θυγατρικών της (περιλαμβάνονται οι επακόλουθες ζημιές) περιορίζεται στην επιστροφή σε κατάσταση λειτουργίας ή την αντικατάσταση του προϊόντος της Thrustmaster. Αν επιτρέπεται από την ισχύουσα νομοθεσία, η Guillemot αποποιείται κάθε εγγύηση εμπνευσσιμότητας ή καταλληλότητας για τον συγκεκριμένο σκοπό.

Η παρούσα εγγύηση δεν ισχύει: (1) αν το προϊόν έχει τροποποιηθεί, ανοιχτεί, μεταποιηθεί ή υποστεί βλάβη ως αποτέλεσμα ακατάλληλης ή κακής χρήσης, αμέλειας, ατυχήματος, φυσιολογικής φθοράς ή οποιασδήποτε άλλης αιτίας που δεν σχετίζεται με ελάττωμα στο υλικό ή κατασκευαστικό ελάττωμα (συμπεριλαμβανομένων, ενδεικτικά, συνδυάζοντας το προϊόν της Thrustmaster με οποιοδήποτε ακατάλληλο στοιχείο, συμπεριλαμβανομένων συγκεκριμένων παροχών ρεύματος, επαναφορτιζόμενων μπαταριών, φορτιστών ή άλλων στοιχείων που δεν παρέχονται από τη Guillemot για αυτό το προϊόν), (2) αν το προϊόν έχει χρησιμοποιηθεί για οποιαδήποτε άλλη χρήση πέρα από την οικιακή χρήση, συμπεριλαμβανομένης χρήσης για επαγγελματικούς ή εμπορικούς σκοπούς (για παράδειγμα, δωμάτια παιχνιδιών, εκπαίδευση, διαγωνισμοί), (3) σε περίπτωση μη συμμόρφωσης με τις οδηγίες που παρέχονται από την Τεχνική υποστήριξη, (4) για λογισμικό, το εν λόγω λογισμικό υπόκειται σε συγκεκριμένη εγγύηση, (5) για αναλώσιμα (στοιχεία που πρόκειται να αντικατασταθούν από τη διάρκεια ζωής του προϊόντος: για παράδειγμα, μπαταρίες μίας χρήσης, καλύμματα αυτιών για σετ ακουστικών ή ακουστικά), (6) για αξεσουάρ (για παράδειγμα, καλώδια, περιβλήματα, θήκες, τσάντες, λουράκια καρπού), (7) αν το προϊόν πωληθεί σε δημοπρασία.

Η παρούσα εγγύηση δεν μεταβιβάζεται.

Τα νομικά δικαιώματα του καταναλωτή σε σχέση με την ισχύουσα νομοθεσία όσον αφορά την πώληση των καταναλωτικών ειδών στη χώρα του/της που δεν επηρεάζονται από την παρούσα εγγύηση.

Επιπλέον διατάξεις εγγύησης

Κατά την περίοδο εγγύησης, η Guillemot δεν θα διαθέσει, κατά βάση, κανένα ανταλλακτικό, καθώς Η Τεχνική υποστήριξη είναι ο μόνος συμβαλλόμενος εξουσιοδοτημένος να ανοίξει και/ή να μετασκευάσει οποιοδήποτε προϊόν της Thrustmaster (με εξαίρεση κάθε διαδικασία μετασκευής, την οποία η Τεχνική υποστήριξη μπορεί να ζητήσει να διεξάγει ο καταναλωτής, υπό τη μορφή γραπτών οδηγιών – για παράδειγμα, λόγω της απλούστευσης και της έλλειψης εμπιστευτικότητας της διαδικασίας μετασκευής – και παρέχοντας στον καταναλωτή το απαιτούμενο(α) ανταλλακτικό(ά), όπου είναι εφικτό).

Δεδομένου των κύκλων καινοτομιών και με σκοπό την προστασία της τεχνολογίας και των εμπορικών μυστικών, η Guillemot δεν παρέχει, κατά βάση, καμία ειδοποίηση περί μετασκευής ή ανταλλακτικών για κανένα προϊόν της Thrustmaster του οποίου η περίοδος εγγύησης έχει λήξει.

Ευθύνη

Αν επιτρέπεται από την ισχύουσα νομοθεσία, η Guillemot Corporation S.A. (εφεξής "Guillemot") και οι θυγατρικές της αποποιούνται κάθε ευθύνης για οποιαδήποτε ζημιά προκαλείται από ένα ή περισσότερα από τα ακόλουθα: (1) το προϊόν έχει τροποποιηθεί, ανοιχτεί ή μεταποιηθεί, (2) αποτυχία ως προς τη συμμόρφωση με τις οδηγίες συναρμολόγησης, (3) ακατάλληλη ή κακή χρήση, αμέλεια, ατύχημα (για παράδειγμα, πρόσκρουση), (4) φυσιολογική φθορά, (5) χρήση του προϊόντος για οποιαδήποτε άλλη χρήση πέρα από την οικιακή χρήση, συμπεριλαμβανομένης χρήσης για επαγγελματικούς ή εμπορικούς σκοπούς (για παράδειγμα, δωμάτια παιχνιδιών, εκπαίδευση, διαγωνισμοί). Αν επιτρέπεται από την ισχύουσα νομοθεσία, η Guillemot και οι θυγατρικές της αποποιούνται κάθε ευθύνης για οποιαδήποτε ζημιά δεν σχετίζεται με λάθος στο υλικό ή την κατασκευή αναφορά με το προϊόν (συμπεριλαμβάνεται, ενδεικτικά, οποιαδήποτε ζημιά προκαλείται άμεσα ή έμμεσα από οποιοδήποτε λογισμικό ή από συνδυασμό του προϊόντος της Thrustmaster με κάθε ακατάλληλο στοιχείο, συμπεριλαμβανομένων συγκεκριμένων παροχών ρεύματος, επαναφορτιζόμενων μπαταριών, φορτιστών ή άλλων στοιχείων που δεν παρέχονται από την Guillemot για αυτό το προϊόν).

THRUSTMASTER®

ΤΕΧΝΙΚΉΣ ΥΠΟΣΤΉΡΙΞΗΣ

<http://support.thrustmaster.com>



πνευματικά δικαιώματα

© 2016 Guillemot Corporation S.A. Με την επιφύλαξη παντός δικαιώματος. Η ονομασία Thrustmaster® είναι εμπορικό σήμα της Guillemot Corporation S.A. Όλα τα υπόλοιπα εμπορικά σήματα αποτελούν ιδιοκτησία των αντίστοιχων κατόχων τους. Οι εικόνες δεν είναι δεσμευτικές. Τα περιεχόμενα, οι σχεδιασμοί και οι προσδιορισμοί προδιαγραφών υπόκεινται σε αλλαγή χωρίς ειδοποίηση και ενδέχεται να ποικίλουν από χώρα σε χώρα. Κατασκευάζεται στην Κίνα.

ΣΥΣΤΑΣΗ ΠΡΟΣΤΑΣΙΑΣ ΠΕΡΙΒΑΛΛΟΝΤΟΣ



Στην Ευρωπαϊκή Ένωση: Στο τέλος της ωφέλιμης διάρκειας ζωής, το παρόν προϊόν δεν πρέπει να απορρίπτεται με τα τυπικά οικιακά απορρίμματα, αλλά να απορρίπτεται σε σημείο συλλογής απόρριψης ηλεκτρικού και ηλεκτρονικού εξοπλισμού για ανακύκλωση.

Το παρόν επιβεβαιώνεται με το σύμβολο που υπάρχει στο προϊόν, στο εγχειρίδιο χρήσης ή στη συσκευασία.

Ανάλογα με τα χαρακτηριστικά τους, τα υλικά μπορούν να ανακυκλωθούν. Μέσω της ανακύκλωσης και άλλων μορφών επεξεργασίας απόρριψης ηλεκτρικού και ηλεκτρονικού εξοπλισμού, μπορείτε να συμβάλετε σημαντικά

στην προστασία του περιβάλλοντος. Επικοινωνήστε με τις τοπικές αρχές για το πλησιέστερο σε εσάς σημείο συλλογής.

Για όλες τις υπόλοιπες χώρες: Να τηρείτε τους τοπικούς νόμους περί ανακύκλωσης του ηλεκτρικού και ηλεκτρονικού εξοπλισμού.

Κρατήστε αυτές τις πληροφορίες. Τα χρώματα και τα διακοσμητικά ενδέχεται να ποικίλουν.

Τα πλαστικά εξαρτήματα σύνδεσης και τα αυτοκόλλητα υλικά πρέπει να αφαιρούνται από το προϊόν πριν τη χρήση του.

www.thrustmaster.com

**Ισχύει μόνο σε ΕΕ και Τουρκία*

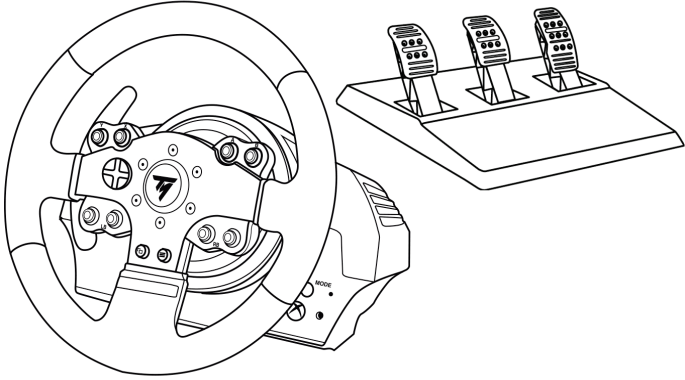


TMX PRO

FORCE FEEDBACK

XBOX ONE VE PC İÇİN

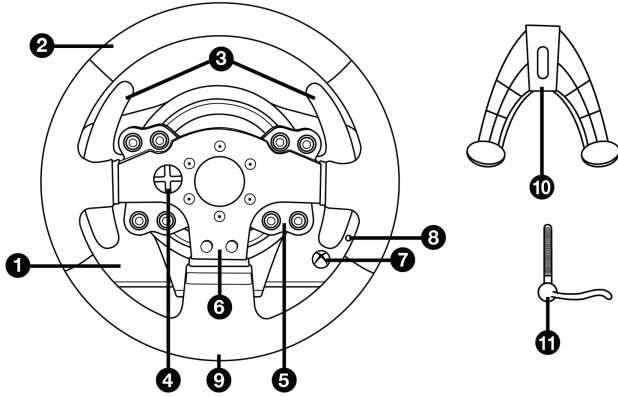
Kullanma Kılavuzu



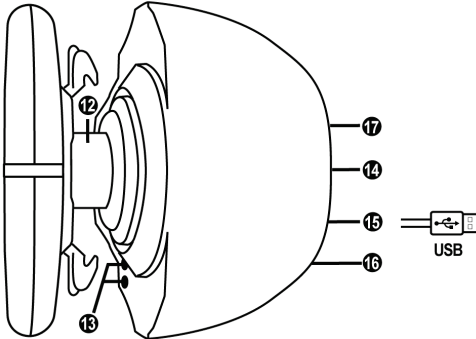
UYARI:

TMX Force Feedback yarış direksiyonunuzun Xbox One veya PC oyunlarıyla düzgün çalışmasını sağlamak için, oyunların otomatik güncellemelerini yüklemeniz gerekebilir (sisteminiz İnternete bağlıyken yapılabilir).

TEKNİK ÖZELLİKLER



- 1 TMX tabanı
- 2 Direksiyon
- 3 2 direksiyondan kumandalı sıralı vites (Up ve Down)
- 4 Çok yönlü D-Ped
- 5 Eylem düğmeleri
- 6 Eylem düğmeleri
- 7 Xbox Guide düğmesi + Beyaz gösterge lambası
- 8 MODE düğmesi + kırmızı/yeşil gösterge lambası
- 9 Büyük dişli delik (montaj sistemi ve sabitleme vidası için)
- 10 Montaj sistemi
- 11 Metal bağlantı vidası



- 12 Direksiyon mili
- 13 Xbox Guide düğmesi + Beyaz gösterge lambası
- 14 Güç kablosu veya Güç kaynağı konektörü (ülkeden ülkeye farklılık gösterir)
- 15 Yarış direksiyonu USB kablosu ve konektörü
- 16 Vites kutusu konektörü (vites kutusu ayrı olarak satılır)
- 17 Pedal seti konektörü

UYARILAR

Bu ürünü kullanmadan önce lütfen bu kılavuzu dikkatlice okuyun ve daha sonra başvurma ihtiyacı duymanız halinde kullanmak üzere güvenli bir yerde saklayın.



Uyarı - Elektrik çarpması

- * Ürünü kuru bir yerde saklayın ve toza veya güneş ışığına maruz bırakmayın.
- * Konektörleri ve kabloları bükmeyin ve çekmeyin.
- * Ürünün veya konektörlerinin üzerine herhangi bir sıvı dökmeyin.
- * Ürünü kısa devre yapmayın.
- * Ürünü asla parçalarına ayırmayın, ateşe atmayın ve yüksek sıcaklıklara maruz bırakmayın.
- * Yarış direksiyonunuzla verilen elektrik kablosunun dışında elektrik kablosu kullanmayın.
- * Kablo veya fişi hasarlı, yarık veya kırıkta elektrik kablosunu kullanmayın.
- * Elektrik kablosunun prize ve yarış direksiyonu tabanının arka kısmında bulunan konektöre düzgün bir şekilde takıldığından emin olun.
- * Yarış direksiyonunun içini açmayın: İçinde kullanıcı tarafından bakım/onarım yapılabilecek parça yoktur. Tüm onarım işlemleri üretici firma, yetkili temsilcisi veya kalifiye teknisyen tarafından yapılmalıdır.
- * Sadece üretici tarafından belirtilmiş olan montaj sistemlerini/aksesuarları kullanın.
- * Yarış direksiyonu beklenmeyen şekilde çalışıyorsa (anormal sesler, ısı veya koku yayıyorsa) direksiyonu kullanmayı derhal kesin, elektrik kablosunu prizden çekin ve diğer kabloları ayırın.
- * Yarış direksiyonunu uzun süre kullanmayacaksınız elektrik kablosunu duvar prizinden çekin.
- * Yalnızca yarış direksiyonunuzla verilen güç kaynağını kullanın (harici güç kaynağı durumunda).
- * Elektrik prizi ekipmana yakın ve kolayca ulaşılabilir olmalıdır.



Havalandırma delikleri

Yarış direksiyonunun tabanı üzerindeki hiçbir havalandırma deliğini bloke etmediğinizden emin olun. Optimum havalandırma için aşağıdaki noktalara dikkat edin:

- * Direksiyon tabanını tüm duvar yüzeylerinden en az 10 cm uzağa yerleştirin.
- * Tabanı dar yerlere yerleştirmeyin.
- * Tabanı örtmeyin.
- * Havalandırma deliklerinin üzerinde toz birikmesine izin vermeyin.



Güvenlik nedeniyle pedal setini asla çıplak ayaklarla veya ayağınıza sadece çorap giyerek oynamayın.
THRUSTMASTER® PEDAL SETİNİN AYAKKABISIZ KULLANILMASINDAN KAYNAKLANAN YARALANMALARDA HİÇBİR SORUMLULUK KABUL ETMEZ.



Uyarı - Force Feedback ve tekrarlanan hareketlerden dolayı yaralanma

Force Feedback direksiyonla oynamak kas veya eklem ağrısına neden olabilir. Her türlü sorunu önlemek için:

- * Uzun oyun periyotlarından sakının.
- * Her oyun saatinin ardından 10 ila 15 dakika ara verin.
- * Ellerinizde, bileklerinizde, kollarınızda, ayaklarınızda veya bacaklarınızda yorgunluk veya ağrı hissederseniz oynamayı kesin ve yeniden oynamaya başlamadan önce birkaç saat dinlenin.



Uyarı - Force Feedback ve tekrarlanan hareketlerden dolayı yaralanma (devamı)

- * Yeniden oynamaya başladığınızda yukarıda belirtilen semptomlar veya ağrı tekrar ederse oynamayı kesin ve bir doktora başvurun.
- * Çocukların ulaşabileceği yerlerden uzak tutun.
- * Oyun oynarken kollarınızı, tamamen gitmesine izin vermeden daima yarış direksiyonunun üzerinde doğru konumlandırılmış olarak bırakın.
- * Oyun oynarken asla ellerinizi veya parmaklarınızı pedalların altına ya da pedal setine yakın yerlere koymayın.
- * Kalibrasyon ve oyun sırasında asla elinizi veya kolunuzu yarış direksiyonundaki deliklere sokmayın.
- * Yarış direksiyonu tabanının bu kılavuzda belirtildiği gibi düzgün bir şekilde sabitlendiğinden emin olun.

AĞIR ÜRÜN



Sadece 14 yaş ve üzeri kullanıcılar tarafından kullanılabilir ürün



Ürünü kendinizin veya başkalarının üzerine düşürmemeye dikkat edin!

DAİMA



ASLA



ASLA

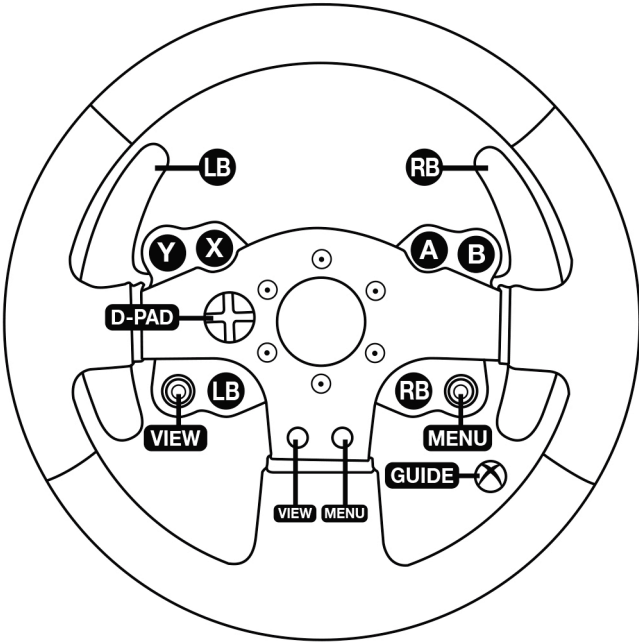


YARIŞ DİREKSİYONUNUN XBOX ONE İÇİN AYARLANMASI

1. Pedal setini, yarış direksiyonu tabanının arka kısmında bulunan konektöre (17) bağlayın.
 2. Elektrik kablosunu, yarış direksiyonu tabanının arka kısmında bulunan konektöre (14) bağlayın.
 3. Elektrik kablosunu aynı voltaj özelliklerine sahip bir prize takın.
 4. Yarış direksiyonunun USB konektörünü (15) sistemin USB portlarından birine bağlayın.
 5. Sisteminiz açıldığında yarış direksiyonunuz otomatik olarak kendini kalibre edecektir.
- Artık oynamaya hazırsınız!**

- **TMX Force Feedback ile uyumlu Xbox One oyunlarının listesi şu adreste mevcuttur:**
<http://support.thrustmaster.com> (Racing Wheels / TMX Force Feedback'ye tıklayın).
Bu liste düzenli olarak güncellenir.

XBOX ONE DÜĞME YERLEŞİMİ



PC İÇİN YARIŞ DİREKSİYONU KURULUMU

1. <http://support.thrustmaster.com> adresine giderek PC için sürücülerini ve Force Feedback yazılımını indirin. Racing Wheels / TMX Force Feedback'ye tıklayın, ardından Drivers'ı seçin.

2. İndirme tamamlandığında kurulumu başlatın ve ekrandaki talimatları izleyerek direksiyonun USB yakını bilgisayarınıza bağlayın ve kurulumu tamamlayın.

3. Kurulum tamamlandığında Finish düğmesine tıklayın ve bilgisayarınızı yeniden başlatın.

4. Başlat / Tüm Programlar / Thrustmaster / FFB Racing Wheel / Control Panel'i seçerek Oyun Kumandaları penceresini açın.

Oyun Kumandaları penceresi, yarış direksiyonunun adını (Thrustmaster TMX Racing Wheel) Tamam durumunda gösterir.

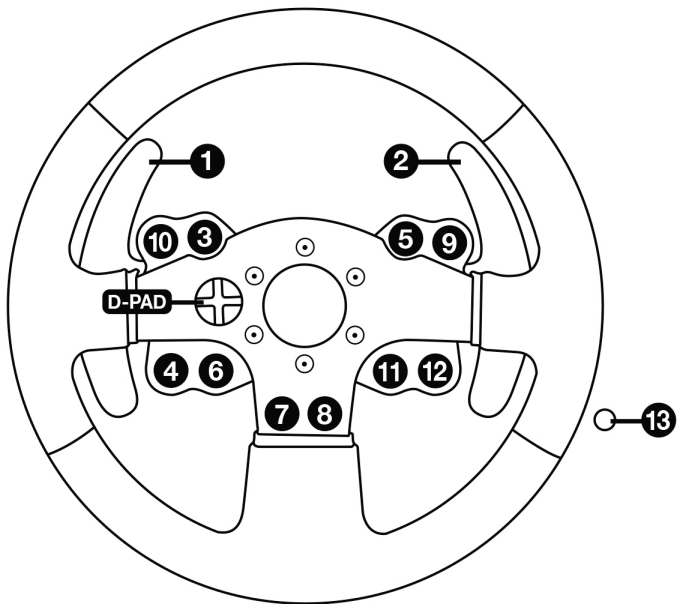
5. TMX Force Feedback kontrol panelinde direksiyonunuzu ayarlamak için Özellikler'e tıklayın:

- Test Input (Giriş Testi) sekmesi: PC oyunlarında eylem düğmelerini, yön düğmelerini, direksiyonu ve pedal eksenlerini test etmenizi ve görüntülemenizi, direksiyonun dönüş açısını ayarlamayı sağlar.
- Test Forces (Güç Testi) sekmesi: 12 force feedback efektini test etmenizi sağlar.
- Gain Settings (Kazanç Ayarları) sekmesi: PC oyunlarınızda force feedback efektlerinin gücünü ayarlamayı sağlar.

Artık oynamaya hazırsınız!

Genel notlar:

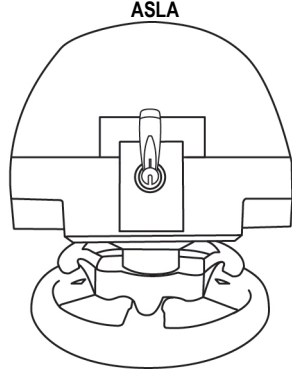
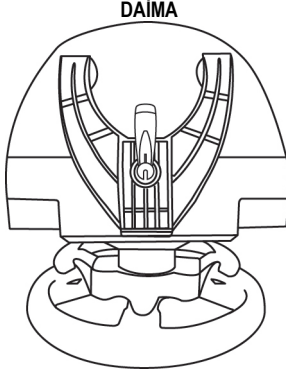
- PC'de oyunu başlatmadan önce Tamam'a tıklayarak Oyun Kumandaları penceresini kapatın.
- PC'de Oyun Kumandaları penceresinde yapılan ayarlar sadece bilgisayarınıza kaydedilir (bu nedenle Xbox One'te etkisi yoktur).
- Direksiyonunuzun donanım yazılımı sürümü TMX Force Feedback kontrol panelinin sekmelerinde sağ üst köşede gösterilir.



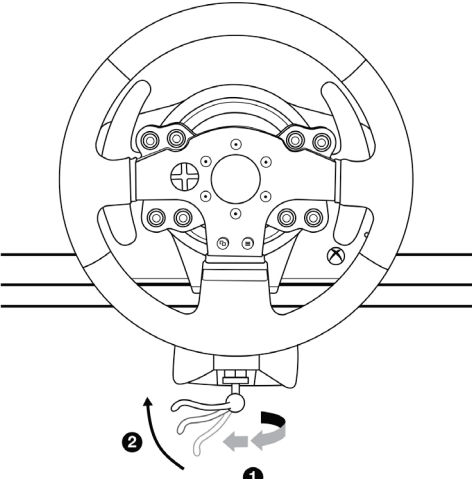
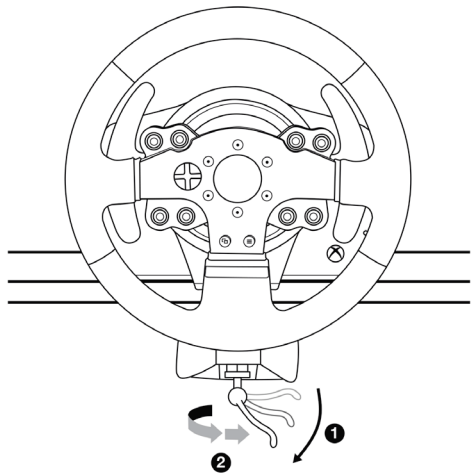
YARIŞ DİREKSİYONUNUN MONTE EDİLMESİ

Yarış direksiyonunun bir sehpa veya masaya monte edilmesi

1. Yarış direksiyonunu bir masa veya yatay, düz ve sağlam bir yüzeye yerleştirin.
2. Bağlantı vidasını (11) montaj sistemine takın (10) ve direksiyon tamamen sabitlenene dek bağlantı vidasını saatin aksi yönünde sıkarak, yarış direksiyonunu altındaki büyük dişli deliğe (9) geçirin.



UYARI: Vidayı, montaj sistemi olmadan asla tek başına sıkmayın!
(Yarış direksiyonuna zarar verebilir.)

MONTE ETME / SÖKME	YÖN
<p><u>Sıkmak için:</u></p> <p><i>Vidayı saatin aksi yönünde çevirin</i></p>	
<p><u>Gevşetmek için:</u></p> <p><i>Vidayı saat yönünde çevirin</i></p>	

OTOMATİK YARIŞ DİREKSİYONU KALİBRASYONU

Yarış direksiyonunu elektrik prizine ve yarış direksiyonunun USB konektörünü Xbox One sistemine bağladığınızda yarış direksiyonu kendini otomatik olarak kalibre eder. Bu aşamada yarış direksiyonu, 900 derecelik bir açıyı kaplayıp merkezde durmadan önce sola ve sağa doğru hızlı bir şekilde döner.

UYARI: Otomatik kalibrasyon aşamasında yarış direksiyonuna asla dokunmayın.
(Hatalı kalibrasyona ve/veya yaralanmalara neden olabilir.)

MOD DÜĞMESİ VE GÖSTERGE LAMBASI (8)

Pedal seti MODE düğmesi

TMX Force Feedback, Thrustmaster'ın 3 pedal içeren pedal setleriyle (ayrı olarak satılır) de uyumludur; bunlar, gaz ve debriyaj pedallarını elektronik olarak değiştirmenizi sağlar.

Bunu yapmak için MOD düğmesine (8) 2 saniye süreyle basın.

Yarış direksiyonunun dahili hafızası pedalların değiştirilip değiştirilmediğini kaydeder.

GAZ VE DEBRİYAJ PEDALLARI	MODE gösterge lambasının (8) rengi
NORMAL	KIRMIZI
DEĞİŞTİRİLDİ	YEŞİL



UYARI:

Bu pedal setini kullanırken gösterge lambasının kırmızı renkte yanık kaldığından emin olun, aksi takdirde gaz pedalı düzgün çalışmaz.

MODE düğmesi için diğer ipuçları

MODE düğmesi ve gösterge lambası ile ilgili daha fazla bilgi için lütfen <http://support.thrustmaster.com> adresini ziyaret ederek; Racing Wheels / TMX Force Feedback'ye tıklayın ve Manual veya FAQ'yu seçin.

YARIŞ DİREKSİYONUNUZUN DONANIM YAZILIMINI GÜNCELLEME

Yarış direksiyonunuzun tabanında bulunan donanım yazılımı ürün geliştirmeleri içeren daha yeni sürümlere güncellenebilir.

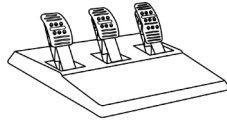
Yarış direksiyonunuzun halihazırda kullandığı donanım yazılımı sürümünü görmek ve gerektiğinde güncellemek için: PC'de <http://support.thrustmaster.com> adresine gidin. Racing Wheels / TMX Force Feedback seçeneklerine tıklayın, ardından Firmware eçeneğini seçerek indirme ve kurulum işlemini anlatan talimatları izleyin.

YARDIM DOSYALARI VE SIK SORULAN SORULAR (BU KILAVUZDA GEÇMEZ)

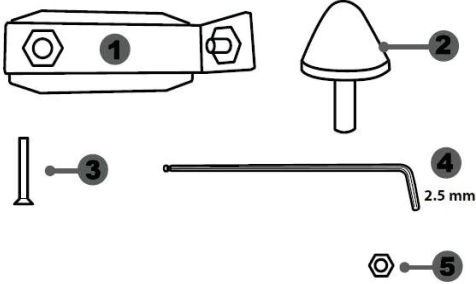
Lütfen bkz. <http://support.thrustmaster.com>. Racing Wheels / TMX Force Feedback'ye tıklayın ve Manual veya FAQ'yu seçin.

Yarış direksiyonu ve/veya pedal seti düzgün çalışmıyorsa veya düzgün kalibre edilmemiş gibi gözüküyorsa:

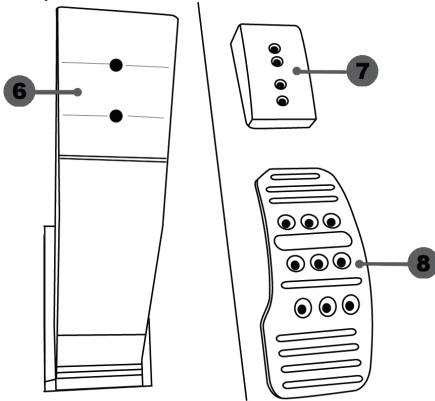
Sisteminizi kapatın ve yarış direksiyonunuzun tamamen ayırın. Tüm kabloları (elektrik kablosu ve pedal seti dahil) tekrar bağlayın, ardından sisteminizi ve oyununuzu yeniden başlatın.



TEKNİK ÖZELLİKLER



- 1 Konik durdurucu için metal destek
(varsayılan olarak takılı değildir)
- 2 Konik durdurucu
- 3 Metal durdurucu montaj vidası
- 4 2.5 mm Allen anahtarı (dahil)
- 5 Konik durdurucu için pozisyon ayar somunu



- 6 Pedal kolu
- 7 Plastik başlık desteği
- 8 Metal pedal başlığı

UYARI

Bu ürünü kullanmadan önce bu talimatları mutlaka dikkatlice okuyun ve ileride başvuru kaynağı olarak kullanmak üzere saklayın.



Güvenlik nedeniyle pedal setini asla çıplak ayaklarla veya ayağınıza sadece çorap giyerek oynamayın.
THRUSTMASTER® PEDAL SETİNİN AYAKKABISIZ KULLANILMASINDAN KAYNAKLANAN YARALANMALARDA HİÇBİR SORUMLULUK KABUL ETMEZ.



Uyarı - Oyun oturumları sırasında pedal seti sıkıştırma tehlikesi

- * Pedal setini çocukların ulaşabileceği yerlerden uzak tutun.
- * Oyun oturumları sırasında parmaklarınızı asla pedalların yanlarına veya yanına koymayın.
- * Oyun oturumları sırasında parmaklarınızı asla pedalların arka tabanına veya yanına koymayın.
- * Oyun oturumları sırasında parmaklarınızı asla pedalların ön tabanına veya yanına koymayın.

ASLA



ASLA



ASLA



OTOMATİK PEDAL KALİBRASYONU



ÖNEMLİ:

- Kalibrasyon sorunlarını önlemek amacıyla direksiyon konsola PS3™ veya PS4™'ye bağlıyken veya oyun oturumları sırasında pedal setini asla direksiyonun tabanına bağlamayın veya tabanından ayırmayın.
- = Pedal setini direksiyona daima direksiyonu konsola PS3™ veya PS4™'ye bağlamadan önce bağlayın.
- Direksiyon otomatik kalibrasyonu tamamlayıp oyun başladıktan sonra pedallar, birkaç kez basıldıklarında kendilerini otomatik olarak kalibre ederler.
- Kalibrasyon sorunlarını engellemek için direksiyon otomatik kalibrasyon yaparken veya oyun başlarken asla pedallara basmayın.
- Pedallar düzgün çalışmıyorsa veya doğru kalibre edilmemiş gibi gözüküyorsa konsolunuzu kapatın, direksiyonunuzu tamamen ayırın, ardından tüm kabloları (güç kaynağı kablosu ve pedal seti kablosu dahil) yeniden bağlayın ve konsolu yeniden açarak oyunu tekrar başlatın.

PEDAL SETİNİ KOKPİTE MONTE ETME

- Pedal setini, pedal setinin altında bulunan küçük vida deliklerini kullanarak monte edin.
- İki adet M6 vidayı (ürünle verilmez) kokpitin pedal destek plakasına ve pedal setinin altında bulunan iki küçük vida deliğine vidalayın.

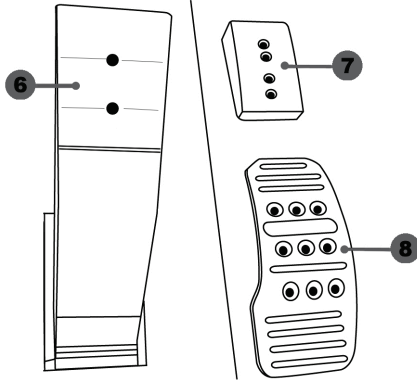
Önemli: Pedal setinin iç parçalarının hasar görmesini engellemek için iki M6 vidanın boyu kokpitin pedal destek plakasının kalınlığı artı ilave 10 mm'yi aşmamalıdır.

Kokpitler için yerleşim diyagramları (yarış direksiyonunun tabanını ve/veya pedal setini konumlandırmak için) <http://support.thrustmaster.com> adresinde, Racing Wheels / T150'ye tıklayın, ardından Manual veya FAQ'yu seçin.

PEDAL SETİNİN AYARLANMASI

Üç pedal setinin her biri şunları içerir:

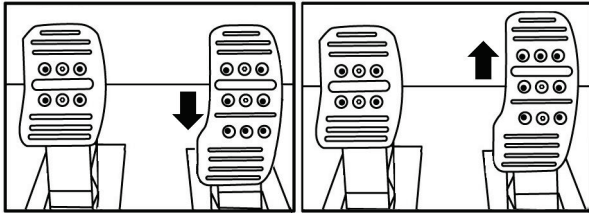
- Çok delikli (gaz pedalında dokuz - fren pedalında altı - debriyajda altı) metal başlık (8).
- Dört delikli plastik başlık desteği (7) (başlık ile kol arasına yerleştirilir).
- İki delikli pedal kolu (6).



DİKKAT: Kalibrasyon sorunlarını önlemek için pedal setinize herhangi bir ayar yapmadan önce mutlaka direksiyonunuzun USB kablosunu ayırın.

Gaz pedalının YÜKSEKLİĞİNİN ayarlanması

- Ürünle verilen 2,5 mm Allen anahtarını (4) kullanarak metal başlık (8) ile desteğini (7) sabitleyen iki vidayı sökün.
- İsteddiğiniz yükseklik pozisyonunu seçerek metal başlık (8) ile desteğini (7) yerleştirerek sıkıca sabitleyecek şekilde vidaları sıkın.



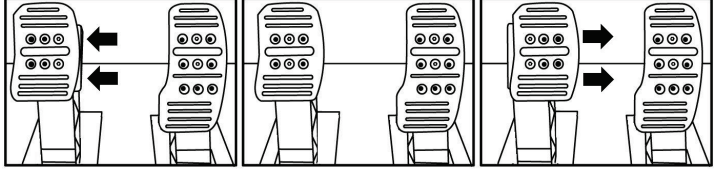
Alçak pozisyon (Varsayılan)

Yüksek pozisyon

Üç pedal arasındaki BOŞLUĞUN ayarlanması

- Ürünle verilen 2,5 mm Allen anahtarını (4) kullanarak metal başlık (8) ile desteğini (7) sabitleyen iki vidayı sökün.
- İsteddiğiniz pozisyonu (sola, ortaya veya sağa) seçerek metal başlık (8) ile desteğini (7) yerleştirerek sıkıca sabitleyecek şekilde vidaları sıkın.

Fren pedalını gösteren örnekler:



Sol pozisyon

Orta pozisyon (varsayılan)

Sağ pozisyon

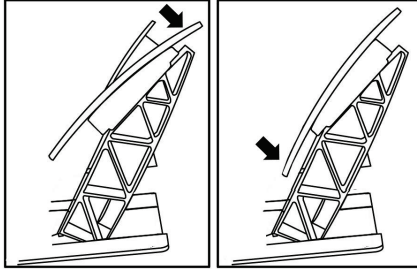
Pedal başına olası boşluk pozisyonu sayısı:

- Gaz pedalı için üç
- Fren pedalı için üç
- Debriyaj için üç

Üç pedalın EĞİMİNİN ayarlanması

- Ürünle verilen 2,5 mm Allen anahtarını (4) kullanarak metal başlık (8) ile desteğini (7) sabitleyen iki vidayı sökün.
- Plastik başlık desteğini (7) 180° döndürün, ardından metal başlık (8) ile desteğini (7) yerleştirerek sıkıca sabitleyecek şekilde vidaları sıkın.

Gaz pedalını gösteren örnekler:



Az eğimli pozisyon

Çok eğimli pozisyon (varsayılan)

Pedal başına olası eğim pozisyonu sayısı:

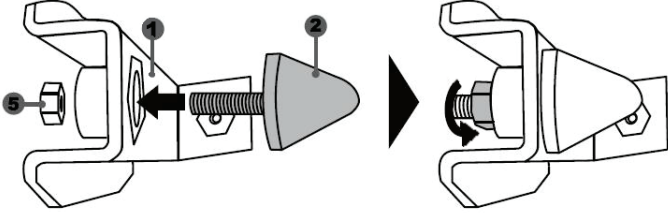
- Gaz pedalı için iki
- Fren pedalı için iki
- Debriyaj için iki

Konik durdurucunun monte edilmesi ("CONICAL RUBBER BRAKE" mod)

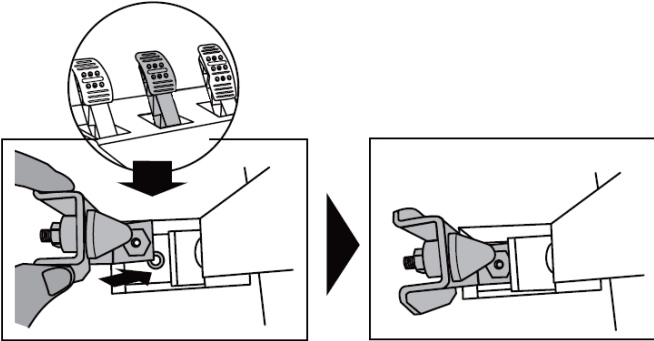
Bu modifikasyon (veya "mod") zorunlu değildir ve varsayılan olarak monte edilmez. Yani mod monteli olmasa bile fren pedalı mükemmel çalışır.

Bu mod frenleme sırasında farklı bir his ve direnç yaşamamanızı sağlar. Tercihinize göre monte etmek veya etmemek size kalmıştır.

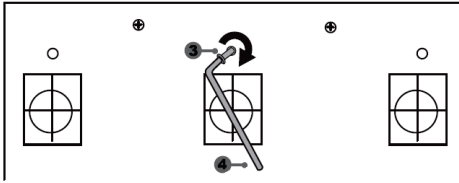
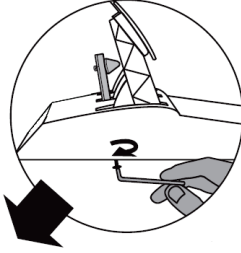
- Konik durdurucuyu (2) metal desteğine (1) vidalayın.
- Pozisyon ayar somununu (5) alta (konik durdurucunun vida deliğine) vidalayın.



- Üniteyi fren pedalı kolunun arkasına yerleştirin.



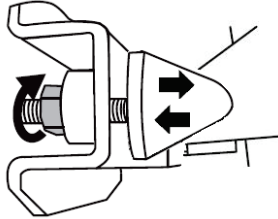
- Ürünle verilen 2,5 mm Allen anahtarını (4) kullanarak üniteyi montaj vidası (3) ve pedal setinin alt kısmında bulunan küçük merkezi vida deliğini kullanarak monte edin.



"CONICAL RUBBER BRAKE" mod şimdi monteli!

Fren pedalının hareket ARALIĞININ ve direnç KUVVETİNİN ayarlanması

Somunu (5) hafif gevşetip konik durdurucuyu (2) pedal kolunun arka kısmına yaklaştırarak fren pedalının direncini daha da kuvvetlendirebilirsiniz (gerekirse somunu yeniden sıkarak ve seçili pozisyonu korumak için 14 mm anahtar veya pense kullanın). Konik durdurucu pedal kolunun arka kısmına ne kadar çok yaklaştırılırsa direnç kuvveti o kadar büyük olur.



Not: Konik durdurucu fren pedalı kolunun arka kısmına çok yaklaştırılırsa maksimum kalibrasyon değerine ulaşmada zorluklar yaşayabilirsiniz. Bu durumda:

* Maksimum değere ulaşmak için yavaş bir şekilde fren pedalına iyice basarak (gerekirse pedal üzerinde çok kısa (sadece bir saniyelikğine) durun), ardından baskıyı kesin; veya

* Konik durdurucuyu fren pedalı kolunun arka kısmından bir miktar uzaklaştırın.

TÜKETİCİ GARANTİ BİLGİSİ

İşbu Thrustmaster ürünü, malzeme ve işçilik hatalarına karşı, müşterinin kusurlu ürünün ücretinin iade edilmesi veya değiştirilmesi talebinde bulunabileceği süreye karşılık gelen garanti süresince dünya çapında tescil edilmiş merkezi Place du Granier, B.P. 97143, 35571 Chantepie, Fransa'da bulunan Guillemot Corporation S.A. tarafından sonra "Guillemot" olarak ifade edilecektir) garantisini altındadır. Avrupa Birliği ülkelerinde bu süre, Thrustmaster ürününün tesliminden itibaren iki (2) seneye karşılık gelir. Diğer ülkelerde garanti süresi, Thrustmaster ürünü ile ilgili olarak, Thrustmaster ürününün satın alındığı tarihte müşterinin ikamet ettiği ülkede geçerli yasalara uygun şekilde, müşterinin kusurlu ürünün ücretinin iade edilmesi veya değiştirilmesi talebinde bulunabileceği süreye karşılık gelir (İlgili ülkede bu tür bir düzenleme mevcut değilse garanti süresi Thrustmaster ürününün satın alındığı asıl tarihten itibaren bir (1) yıl olacaktır).

Garanti süresi içinde üründe hata veya kusur tespit edilmesi durumunda derhal izlenecek yöntem ile ilgili size bilgi verecek olan Teknik Destek servisimize başvurun. Hata veya kusur onaylanırsa ürünün satın alındığı yere (ya da Teknik Destek servisi tarafından belirtilen yere) iade edilmesi gerekmektedir.

İşbu garanti kapsamında müşterinin kusurlu ürünü, Teknik Destek servisinin insiyatifine bağlı olarak, değiştirilecek veya çalışır hale getirilecektir. Garanti süresince Thrustmaster ürününün onarım işlemine tabi tutulması durumunda, ürünün kullanım dışı olduğu en az yedi (7) günlük tüm süreler kalan garanti süresine eklenecektir (bu süre, ürünün onarılması için hazır bulundurulduğu tarih müdahale edilmesi için talepte bulunduğu tarihi takip ediyor ise müşterinin müdahale edilmesi için talepte bulunduğu tarihten veya bahse konu ürünün onarılması için hazır bulundurulduğu tarihten başlar). Yürürlükte olan yasaların izin verdiği durumlarda, Guillemot ve bağlılarının tüm sorumluluğu (dolaylı hasarlar da dahil olmak üzere) Thrustmaster ürününün çalışır hale getirilmesi veya değiştirilmesi ile sınırlıdır. Yürürlükte olan yasaların izin vermesi halinde Guillemot, ticarete elverişlilik veya belirli bir amaca uygunluk ile ilgili tüm garantileri reddeder.

İşbu garanti aşağıdaki durumlar için geçerli değildir: (1) Ürün modifiye edilmişse, açılmışsa, üzerinde değişiklik yapılmışsa, uygunsuz veya kötü kullanım, ihmal, kaza, normal aşınma ya da malzeme veya üretim hatası ile ilgili olmayan nedenlerden dolayı hasar görmüşse (ancak bununla sınırlı kalmamak üzere, Thrustmaster ürününü herhangi uygun bir elemanla birleştirmek, buna dahil olarak özellikle güç kaynakları, yeniden doldurulabilir piller, şarj cihazları veya bu ürün için Guillemot tarafından tedarik edilmemiş tüm diğer elemanlar); (2) ürün, evde kullanım dışında, profesyonel veya ticari maksatlı olanlar da dahil olmak üzere (örneğin oyun salonları, eğitim, yarışlar) başka maksatlarla kullanılmışsa; (3) Teknik Destek servisi tarafından sağlanan talimatlara uyulmamışsa; (4) yazılım için, işbu garanti geçerli değildir, söz konusu yazılım için sağlanan özel garanti hükümlerine tabidir; (5) sarf malzemeleri için (ürün kullanım süresi içinde değiştirilecek elemanlar: örneğin; tek kullanımlık piller, kulaklık yastıkları); (6) aksesuarlar için (örneğin; kablolar, kılıflar, cepler, çantalar, bileklikler); (7) ürün açık artırma ile satılmışsa.

Bu garanti devrolunamaz.

Tüketim mallarının tüketicinin ülkesinde satışına ilişkin tüketicinin yasal hakları işbu garantiden etkilenmemektedir.

Ek garanti hükümleri

Garanti süresince, tüm Thrustmaster ürünlerini açmaya ve/veya onarmaya yetkili tek taraf Teknik Destek Servisi olduğundan prensip olarak Guillemot tarafından hiçbir yedek parça sağlanmayacaktır (Uygulanabilir olması durumunda yazılı talimatlarla ve müşteriye gerekli yedek parça(lar) sağlanarak Teknik Destek Servisinin müşteri tarafından yapılmasını isteyebileceği tüm onarım prosedürleri hariç – örneğin onarım işleminin basit olmasından ve gizlilik içermemesinden dolayı).

İnovasyon döngülerini dikkate almak ve bilgi birikimi ile ticari sırlarını korumak için Guillemot, prensip olarak garanti süresi dolmuş hiç bir Thrustmaster ürünü için onarım bilgisi veya yedek parça sağlamayacaktır.

Sorumluluk

Yürürlükte olan yasaların izin vermesi halinde, Guillemot Corporation S.A. (bundan sonra "Guillemot" olarak ifade edilecektir) ve bağlıları aşağıdakilerin biri veya daha fazlasından kaynaklanan her türlü hasara karşı tüm sorumluluğu reddeder: (1) Ürün modifiye edilmişse, açılmışsa, üzerinde değişiklik yapılmışsa; (2) montaj talimatlarına uyulmamışsa; (3) uygunsuz veya kötü kullanım, ihmal, kaza (örneğin bir darbe); (4) normal aşınma; (5) ürünün, evde kullanım dışında, profesyonel veya ticari maksatlı olanlar da dahil olmak üzere (örneğin oyun salonları, eğitim, yarışlar) başka maksatlarla kullanılması. Yürürlükte olan yasaların izin vermesi halinde, Guillemot ve bağlıları ürünle ilgili malzeme veya üretim hatası ile ilgili olmayan her türlü hasara karşı tüm sorumluluğu reddeder (ancak bununla sınırlı kalmamak üzere, herhangi bir yazılımdan veya Thrustmaster ürününün herhangi bir uygun olmayan elemanla birleştirilmesinden doğrudan veya dolaylı olarak kaynaklanan tüm hasarlar, buna dahil olarak özellikle güç kaynakları, yeniden doldurulabilir piller, şarj cihazları veya bu ürün için Guillemot tarafından tedarik edilmemiş tüm diğer elemanlar).

THRUSTMASTER®

TEKNİK DESTEK

<http://support.thrustmaster.com>



TELİF HAKKI

© 2016 Guillemot Corporation S.A. Tüm hakları saklıdır. Thrustmaster® Guillemot Corporation S.A'nın tescilli markasıdır. Diğer tüm ticari markalar kendi sahiplerinin. Resimler bağlayıcı değildir. İçerik, tasarım ve özellikler önceden haber verilmeksizin değiştirilebilir ve bir ülkeden başka bir ülkeye değişiklik gösterebilir. Çin'de yapılmıştır.

ÇEVRE KORUMA ÖNERİLERİ



* Avrupa Birliği'nde: Cihazın kullanım ömrü sona erdiğinde, standart ev atıkları ile atılmamalı, geri dönüşüm için Atık Elektrikli ve Elektronik Cihazların toplandığı bir yere bırakılmalıdır.

Bu, ürünün, kullanım kılavuzunun veya paketin üzerinde bulunan sembol ile onaylanmıştır.

Özelliklerine bağlı olarak malzemeler geri dönüştürülebilir. Atık Elektrik ve Elektronik Cihazların geri dönüşümü veya diğer işleme yöntemleri sayesinde çevrenin korunmasına yönelik önemli bir katkıda bulunabilirsiniz. Size en yakın toplama merkezleri hakkında bilgi almak için lütfen yerel yetkililerle iletişime geçin.

Diğer ülkeler için: Lütfen elektrikli ve elektronik cihazların geri dönüşümü için yerel yasalara uyunuz.

AEEE Yönetmeliğine Uygundur.

Bu belgeyi saklayın. Renkler ve süslemeler değişiklik gösterebilir.
Plastik tutturucular ve bantlar, kullanmadan önce üründen çıkarılmalıdır.

www.thrustmaster.com

*Sadece AB ve Türkiye için geçerlidir

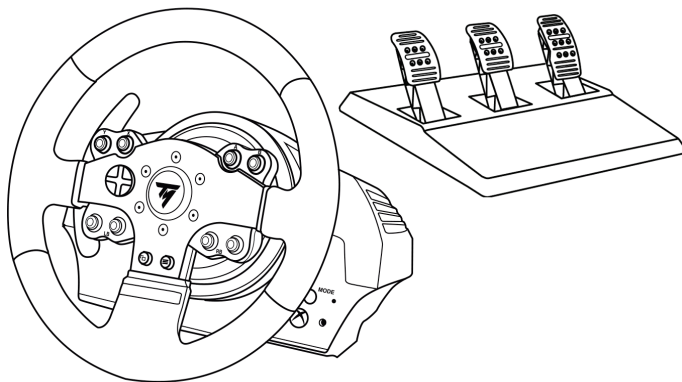


TMX PRO

FORCE FEEDBACK

NA XBOX ONE I PC

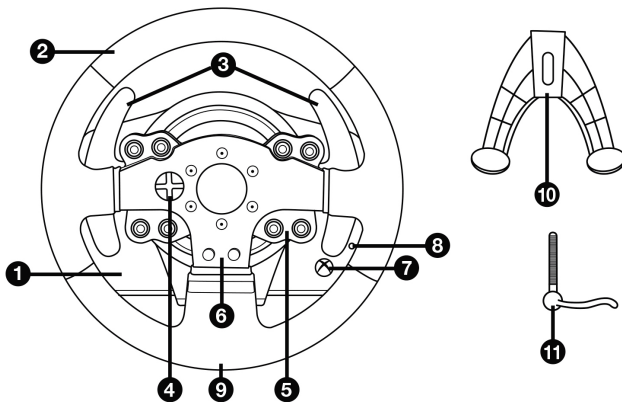
Instrukcja obsługi



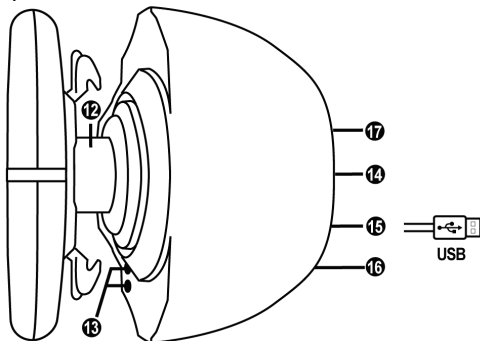
OSTRZEŻENIE:

W celu zapewnienia prawidłowego działania kierownicy TMX w grach na konsolę Xbox One lub na PC może być wymagane zainstalowanie automatycznych aktualizacji gier (dostępnych, gdy system (Xbox One lub PC) ma połączenie z Internetem).

ELEMENTY



- | | |
|---|---|
| 1 Podstawa TMX | 7 Przekładnik Xbox Guide + Biała kontrolka |
| 2 Kierownica | 8 Przekładnik MODE + czerwona/zielona kontrolka |
| 3 2 łopatkę sekwencyjną zmiany biegów (Up i Down) | 9 Duży gwintowany otwór (na element montażowy i śrubę mocującą) |
| 4 Wielokierunkowy d-pad | 10 Element montażowy |
| 5 Przyciski czynności | 11 Metalowa śruba mocująca |
| 6 Przyciski czynności | |



- | | |
|---|--|
| 12 Oś kierownicy | 15 Kabel kierownicy ze złączem USB |
| 13 Przekładnik Xbox Guide + Biała kontrolka | 16 Złącze skrzyni biegów (skrzynia biegów do nabywania osobno) |
| 14 Kabel zasilania lub złącze zasilania (w zależności od kraju) | 17 Złącze zestawu pedałów |

OSTRZEŻENIA

Zanim rozpoczniesz korzystanie z urządzenia, szczegółowo zapoznaj się z niniejszą instrukcją, a następnie zachowaj ją do wglądu.



Ostrzeżenie — ryzyko porażenia prądem elektrycznym

- * Przechowuj urządzenie w suchym miejscu i nie wystawiaj go na działanie kurzu ani światła słonecznego.
- * Nie skręcaj ani nie naciągaj złączy ani kabli.
- * Nie wylewaj cieczy na urządzenie ani jego złącza.
- * Nie zwieraj urządzenia.
- * Nie demontuj urządzenia, nie wrzucaj go do ognia ani nie narażaj na działanie wysokich temperatur.
- * Nie używaj kabla zasilania innego niż dostarczony z kierownicą.
- * Nie używaj kabla zasilania, jeśli sam kabel lub jego złącza są uszkodzone, pęknięte lub przerwane.
- * Upewnij się, że kabel zasilania jest właściwie podłączony do gniazda elektrycznego i do złącza znajdującego się z tyłu podstawy kierownicy.
- * Nie otwieraj kierownicy: w jej wnętrzu nie ma części przeznaczonych do naprawiania przez użytkownika. Naprawy może wykonywać wyłącznie producent, jego autoryzowany przedstawiciel lub wykwalifikowany serwisant.
- * Korzystaj wyłącznie z elementów montażowych/akcesoriów określonych przez producenta.
- * W przypadku nietypowego działania kierownicy (na przykład gdy wydobywają się z niej dziwne dźwięki, ciepło lub zapachy) natychmiast przestań jej używać, wyciągnij kabel zasilania z gniazda elektrycznego i odłącz pozostałe kable.
- * Jeśli nie zamierzasz korzystać z kierownicy przez dłuższy czas, wyciągnij jej kabel zasilania z gniazda elektrycznego.
- * Używaj wyłącznie zasilacza dostarczonego z kierownicą (w przypadku zasilacza zewnętrznego).
- * Gniazdo elektryczne musi znajdować się w pobliżu urządzenia i musi być łatwo dostępne.



Odpowietzniki

Dbaj, aby żaden z odpowietzników w podstawie kierownicy nie był zasłonięty. W celu zapewnienia optymalnej wentylacji przestrzegaj następujących zaleceń:

- * Ustaw podstawę kierownicy w odległości co najmniej 10 cm od wszelkich ścian.
- * Nie umieszczaj podstawy w ciasnych miejscach.
- * Nie przykrywaj podstawy.
- * Nie dopuszczaj do gromadzenia się kurzu w odpowietznikach.



**Ze względów bezpieczeństwa zestawu pedałów nie wolno używać w bosych stopach ani w samych skarpetach.
FIRMA THRUSTMASTER® NIE PONOSI ŻADNEJ ODPOWIEDZIALNOŚCI
ZA EWENTUALNE OBRAŻENIA CIAŁA WYNIKŁE Z UŻYWANIA
ZESTAWU PEDAŁÓW BEZ OBUWIA.**



Ostrzeżenie — ryzyko obrażeń ciała spowodowanych siłowym sprzężeniem zwrotnym i powtarzającymi się ruchami

Granie przy użyciu kierownicy z siłowym sprzężeniem zwrotnym (Force Feedback) może doprowadzić do bólu mięśni lub stawów. W celu uniknięcia problemów:

- * Unikaj grania przez długi czas.
- * Po każdej godzinie gry rób 10–15 minut przerwy.
- * Jeśli odczuwasz zmęczenie lub ból dłoni, nadgarstków, ramion, stóp albo nóg, przerwij grę, a przed jej ponownym rozpoczęciem odpocznij kilka godzin.



Ostrzeżenie — ryzyko obrażeń ciała spowodowanych siłowym sprzężeniem zwrotnym i powtarzającymi się ruchami (ciąg dalszy)

- * Jeśli po ponownym rozpoczęciu gry opisane powyżej objawy lub ból powrócą, przerwij grę i skonsultuj się z lekarzem.
- * Trzymaj kierownicę z dala od dzieci.
- * Podczas gry zawsze trzymaj obie dłonie we właściwym położeniu na kierownicy bez jej całkowitego puszczania.
- * Podczas gry nigdy nie kładź dłoni ani palców pod pedałami ani w pobliżu zestawu pedałów.
- * Podczas kalibracji i gry nigdy nie przekładaj dłoni ani ramion przez otwory w kierownicy.
- * Sprawdź, czy podstawa kierownicy jest właściwie zamocowana zgodnie ze wskazówkami podanymi w niniejszej instrukcji.

CIĘŻKIE URZĄDZENIE



Urządzenie tylko dla użytkowników powyżej 14 roku życia



Uważaj, aby nie upuścić urządzenia na siebie ani inną osobę!

ZAWSZE



NIGDY



NIGDY



KONFIGUROWANIE KIEROWNICY POD KĄTEM XBOX ONE

1. Podłącz zestaw pedałów do złącza (17) znajdującego się z tyłu podstawy kierownicy.
2. Podłącz kabel zasilania do złącza (14) znajdującego się z tyłu podstawy kierownicy.
3. Podłącz kabel zasilania do gniazda elektrycznego o prawidłowym napięciu.
4. Podłącz złącze USB kierownicy (15) do jednego z portów USB systemu.
5. Po włączeniu zasilania systemu nastąpi automatyczna kalibracja kierownicy.

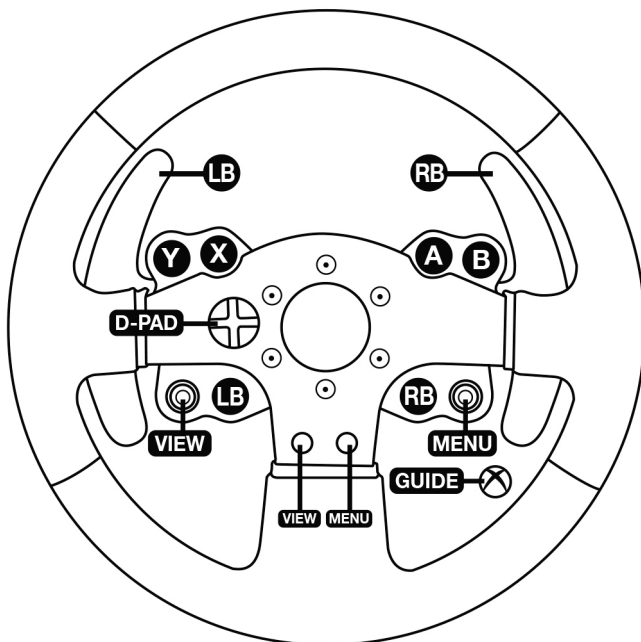
Teraz możesz zacząć grać!

— Lista gier do systemów Xbox One zgodnych z kierownicą TMX Force Feedback jest dostępna na stronie:

<http://support.thrustmaster.com> (kliknij Wheels / TMX Force Feedback).

Lista jest regularnie aktualizowana.

MAPOWANIE W XBOX ONE



KONFIGUROWANIE KIEROWNICY POD KĄTEM KOMPUTERA PC

1. Wejdź na stronę <http://support.thrustmaster.com>, aby pobrać sterowniki i oprogramowanie siłowego sprzężenia zwrotnego dla komputera PC. Kliknij Racing Wheels / TMX Force Feedback, a następnie wybierz Drivers.

2. Po zakończeniu pobierania uruchom instalację, a następnie zgodnie z instrukcjami wyświetlanymi na ekranie podłącz wtyczkę USB kierownicy do komputera i zakończ instalację.

3. Po zakończeniu instalacji kliknij Finish (Zakończ) i uruchom ponownie komputer.

4. Wybierz Start / All Programs / Thrustmaster / FFB Racing Wheel / Control Panel (Start / Wszystkie programy / Thrustmaster / FFB Racing Wheel / Panel sterowania), aby otworzyć okno Game Controllers (Kontrolery gier).

W oknie Game Controllers (Kontrolery gier) zostanie wyświetlona nazwa kierownicy Thrustmaster TMX Racing Wheel ze statusem OK.

5. W panelu sterowania kierownicy TMX Force Feedback kliknij Properties (Właściwości), aby skonfigurować kierownicę:

- Karta Test Input (Testuj wejście) umożliwia testowanie i wyświetlanie przycisków czynności, przycisków kierunkowych oraz osi kierownicy i pedałów, a także regulowanie kąta obrotu kierownicy w grach na komputer PC.
- Karta Test Forces (Testuj siły) umożliwia testowanie 12 efektów siłowego sprzężenia zwrotnego.
- Karta Gain Settings (Ustawienia wzmocnienia) umożliwia regulowanie natężenia efektów siłowego sprzężenia zwrotnego w grach na komputer PC.

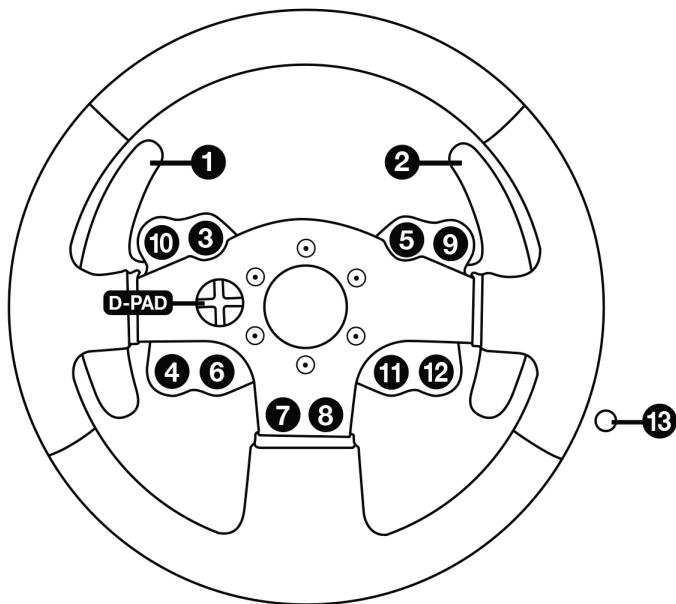
Teraz możesz zacząć grać!

Uwagi ogólne:

— Na komputerze PC przed uruchomieniem gry kliknij OK, aby zamknąć okno Game Controllers (Kontrolery gier).

— W przypadku komputera PC modyfikacje wprowadzone w oknie Game Controllers (Kontrolery gier) są zapisywane tylko na komputerze (a więc nie wpływają na Xbox One).

— Wersja oprogramowania sprzętowego kierownicy jest wyświetlana w prawym górnym rogu kart panelu sterowania kierownicy TMX Force Feedback.

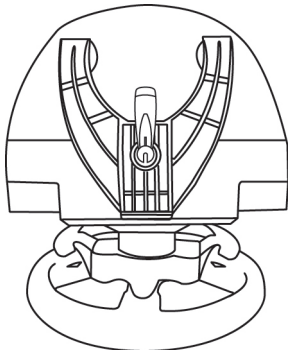


MOCOWANIE KIEROWNICY

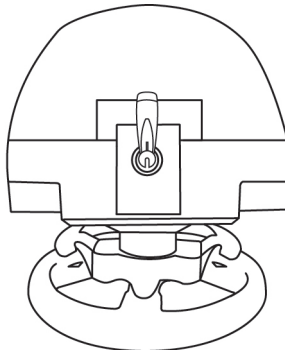
Mocowanie kierownicy do stołu lub biurka

1. Połóż kierownicę na stole lub innej poziomej, płaskiej i stabilnej powierzchni.
2. Włóż śrubę mocującą (11) w element montażowy (10), a następnie zamocuj urządzenie, wkręcając śrubę przeciwnie do ruchu wskazówek zegara w duży gwintowany otwór (9) znajdujący się pod kierownicą aż do solidnego i stabilnego zamocowania kierownicy.

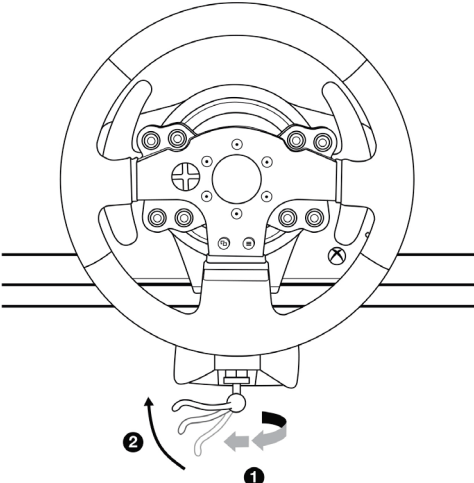
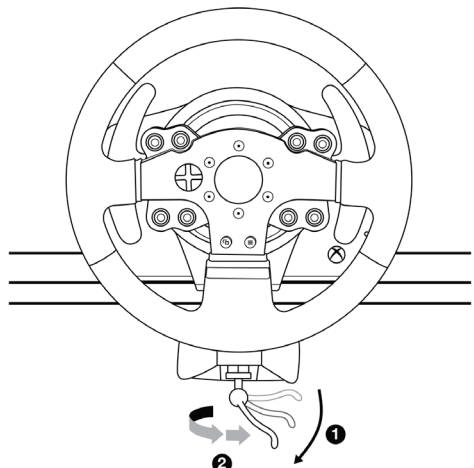
ZAWSZE



NIGDY



OSTRZEŻENIE: nie wolno wkręcać samej śruby bez elementu montażowego!
(Może to spowodować uszkodzenie kierownicy).

MOCOWANIE/ZDEJMOWANIE	KIERUNEK
<p><u>Dokręcanie:</u></p> <p><i>Obróć śrubę przeciwnie do ruchu wskazówek zegara</i></p>	
<p><u>Odkręcanie:</u></p> <p><i>Obróć śrubę zgodnie z ruchem wskazówek zegara</i></p>	

AUTOMATYCZNA KALIBRACJA KIEROWNICY

Kierownica kalibruje się automatycznie po jej podłączeniu do gniazda elektrycznego oraz podłączeniu złącza USB kierownicy do systemu Xbox One.

Podczas tej operacji kierownica obraca się szybko w lewo i w prawo (łącznie o 900 stopni), a następnie zatrzymuje się w położeniu środkowym.

OSTRZEŻENIE: Podczas automatycznej kalibracji nie wolno dotykać kierownicy!

(Może to doprowadzić do błędów kalibracji i/lub obrażeń ciała).

PRZYCIISK I KONTROLKA MODE (8)

Przycisk MODE do zestawu pedałów

Kierownica TMX Force Feedback jest również zgodna z zestawami pedałów Thrustmaster zawierającymi 3 pedały. Zestawy te umożliwiają elektroniczną zamianę pedałów przyspieszenia i sprzęgła.

W tym celu należy nacisnąć przycisk MODE (8) i przytrzymać go przez 2 sekundy.

Informacja o tym, czy pedały zostały zamienione miejscami, jest przechowywana w wewnętrznej pamięci kierownicy.

PEDAŁY GAZU I SPRZĘGŁA	Kolor kontrolki MODE (8)
NORMALNE	CZERWONY
ZAMIENIONE	ZIELONY



OSTRZEŻENIE:

W trakcie korzystania z zestawu pedałów jego kontrolka powinna świecić na czerwono. W przeciwnym razie pedał gazu nie będzie działał prawidłowo.

Inne wskazówki dotyczące przycisku MODE

Więcej informacji na temat przycisku i kontrolki MODE znajdziesz na stronie <http://support.thrustmaster.com>. Kliknij Racing Wheels / TMX Force Feedback, a następnie wybierz **Manual** lub **FAQ**.

AKTUALIZACJA OPROGRAMOWANIA SPRZĘTOWEGO KIEROWNICY

Oprogramowanie zawarte w podstawie kierownicy można zaktualizować do nowszej wersji, zawierającej rozszerzenia różnych funkcji.

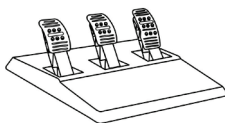
Aby wyświetlić wersję oprogramowania sprzętowego, z której obecnie korzysta kierownica, i w razie potrzeby ją zaktualizować, na komputerze wejdź na stronę <http://support.thrustmaster.com>. Kliknij Racing Wheels / TMX Force Feedback, następnie wybierz **Firmware**, a następnie postępuj zgodnie z instrukcją pobierania i instalacji.

PLIKI POMOCY I CZĘSTO ZADAWANE PYTANIA (NIEZAMIESZCZONE W NINIEJSZEJ INSTRUKCJI)

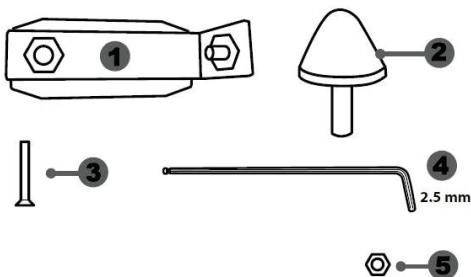
Wejdź na stronę <http://support.thrustmaster.com>. Kliknij Racing Wheels / TMX Force Feedback, a następnie wybierz **Manual** lub **FAQ**.

Jeśli kierownica i zestaw pedałów nie działają prawidłowo lub wydają się niewłaściwie skalibrowane:

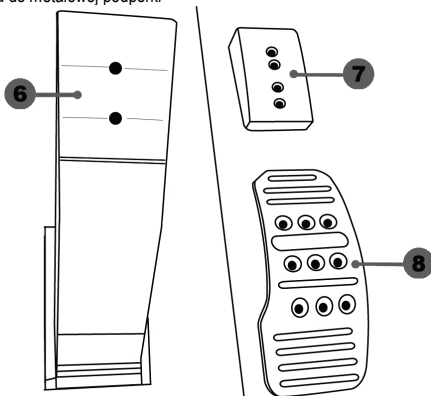
Wyłącz system i całkowicie odłącz kierownicę. Następnie podłącz ponownie wszystkie kable (w tym kabel zasilania i zestaw pedałów) oraz uruchom ponownie system i grę.



ELEMENTY



- 1 Metalowa podpórka ogranicznika stożkowego
(domyślnie niezainstalowana)
- 2 Ogranicznik stożkowy
- 3 Śrubka mocująca do metalowej podpórki
- 4 Klucz imbusowy 2,5 mm (w komplecie)
- 5 Nakrętka do regulacji położenia ogranicznika stożkowego



- 6 Ramię pedału
- 7 Plastikowa podpórka stopki
- 8 Metalowa stopka pedału

OSTRZEŻENIE

Zanim rozpoczniesz korzystanie z urządzenia, szczególnie zapoznaj z niniejszą instrukcją, a następnie zachowaj ją do wglądu.



Ze względów bezpieczeństwa zestawu pedałów nie wolno używać w bosych stopach ani samych skarpetach.

FIRMA THRUSTMASTER® NIE PONOSI ŻADNEJ ODPOWIEDZIALNOŚCI ZA EWENTUALNE OBRAŻENIA CIAŁA WYNIKŁE Z UŻYWANIA ZESTAWU PEDAŁÓW BEZ OBUWIA.



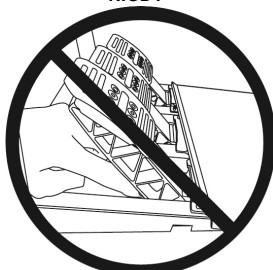
Ostrzeżenie — ryzyko przytrzaśnięcia przez pedały podczas gry

- * Trzymaj zestaw pedałów z dala od dzieci.
- * Podczas gry nigdy nie zbliżaj palców ani kciuków do boków pedałów.
- * Podczas gry nigdy nie zbliżaj palców ani kciuków do tylnej powierzchni pedałów.
- * Podczas gry nigdy nie zbliżaj palców ani kciuków do przedniej powierzchni pedałów.

NIGDY



NIGDY



NIGDY



AUTOMATYCZNA KALIBRACJA PEDAŁÓW



- Zestawu pedałów nie wolno podłączać ani odłączać od podstawy kierownicy, gdy kierownica jest podłączona do konsoli albo w trakcie gry. Pozwala to uniknąć problemów z kalibracją.
- = Zestaw pedałów zawsze podłączaj do kierownicy przed jej podłączeniem do konsoli.

- Po zakończeniu automatycznej kalibracji kierownicy i uruchomieniu gry pedały kalibrują się automatycznie po ich kilkukrotnym naciśnięciu.

- Aby uniknąć problemów z kalibracją, nie naciskaj pedałów podczas automatycznej kalibracji kierownicy lub uruchamiania gry.

- Jeśli pedały nie działają prawidłowo lub wydają się niewłaściwie skalibrowane, wyłącz konsolę, całkowicie odłącz kierownicę, a następnie ponownie podłącz wszystkie kable (w tym kabel zasilania i kabel zestawu pedałów), ponownie włącz zasilanie konsoli i ponownie uruchom grę.

MOCOWANIE ZESTAWU PEDAŁÓW DO KOKPITU

- Zamocuj zestaw pedałów przy użyciu niewielkich gwintowanych otworów znajdujących się pod spodem zestawu.
- Wkręć dwie śruby M6 (do nabycia osobno) w płytę podporową pedałów w kokpicie oraz w dwa niewielkie gwintowane otwory znajdujące się pod spodem zestawu pedałów.

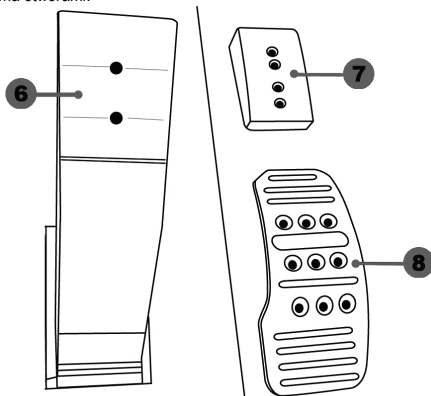
Ważne: długość śrub M6 nie może przekraczać grubości płyty podporowej w kokpicie powiększonej o 10 mm. Dłuższe śruby mogą uszkodzić elementy wewnętrzne zestawu pedałów.

Na stronie <http://support.thrustmaster.com> są dostępne **schematy kokpitów** (ułatwiające prawidłowe ustawienie podstawy kierownicy i zestawu pedałów). Kliknij **Racing Wheels / TMX Force Feedback**, a następnie wybierz **Manual** lub **FAQ**.

REGULACJA ZESTAWU PEDAŁÓW

Każdy z trzech pedałów zawiera:

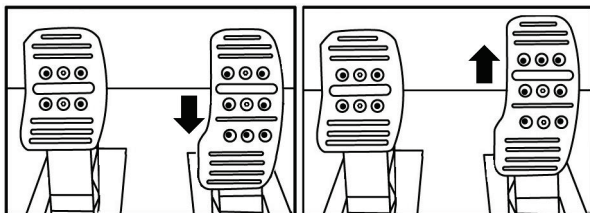
- metalową stopkę (8) z kilkoma otworami (dziewięcioma w pedale przyspieszenia, sześcioma w pedale hamulca i sześcioma w pedale sprzęgła),
- plastikową podpórkę stopki (7) (umieszczaną między stopką a ramieniem) z czterema otworami,
- ramię (6) z dwoma otworami.



UWAGA: Aby uniknąć problemów z kalibracją, przed jakąkolwiek regulacją zestawu pedałów zawsze odłącz kabel USB kierownicy.

Regulacja WYSOKOŚCI pedału przyspieszenia

- Za pomocą dostarczonego klucza imbusowego 2,5 mm (4) wykręć dwie śruby przytrzymujące metalową stopkę (8) i jej podpórkę (7).
- Wybierz preferowaną wysokość, a następnie wóź i wkręć śruby w celu solidnego zamocowania metalowej stopki (8) i jej podpórki (7).



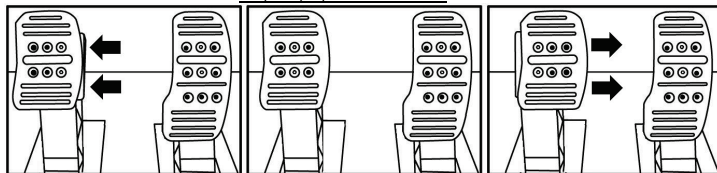
Położenie niskie (domyślne)

Położenie wysokie

Regulacja ODLEĞŁOŚCI między trzema pedałami

- Za pomocą dostarczonego klucza imbusowego 2,5 mm (4) wykręć dwie śruby przytrzymujące metalową stopkę (8) i jej podpórkę (7).
- Wybierz preferowane położenie (lewe, środkowe lub prawe), a następnie wóź i wkręć śruby w celu solidnego zamocowania metalowej stopki (8) i jej podpórki (7).

Przykłady z pedalem hamulca:



Polożenie lewe

Polożenie środkowe (domyślne)

Polożenie prawe

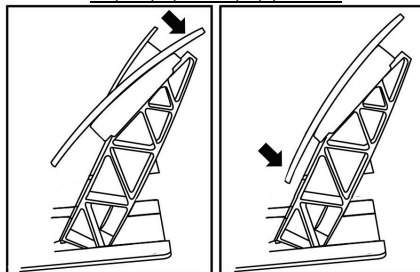
Liczba możliwych ustawień odstępów w poszczególnych pedałach:

- Trzy w pedale przyspieszenia
- Trzy w pedale hamulca
- Trzy w pedale sprzęgła

Regulacja NACHYLENIA pedałów

- Za pomocą dostarczonego klucza imbusowego 2,5 mm (4) wykręć dwie śruby przytrzymujące metalową stopkę (8) i jej podpórkę (7).
- Obróć plastikową podpórkę stopki (7) o 180°, a następnie wóź i wkręć śruby w celu solidnego zamocowania metalowej stopki (8) i jej podpórki (7).

Przykłady z pedalem przyspieszenia:



Mniejsze nachylenie

Większe nachylenie (domyślne)

Liczba możliwych ustawień nachylenia poszczególnych pedałów:

- Dwa w pedale przyspieszenia
- Dwa w pedale hamulca
- Dwa w pedale sprzęgła

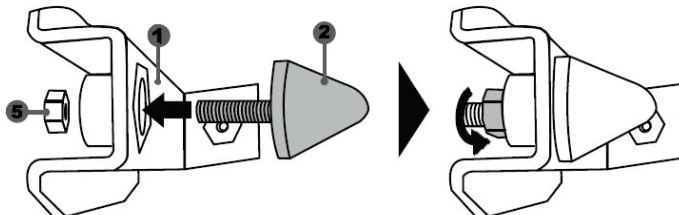
Instalowanie ogranicznika stożkowego (modu „CONICAL RUBBER BRAKE”)

Ten element (tzw. „mod”) nie jest niezbędny i nie jest instalowany fabrycznie. Oznacza to, że pedał hamulca działa znakomicie nawet bez instalowania modu.

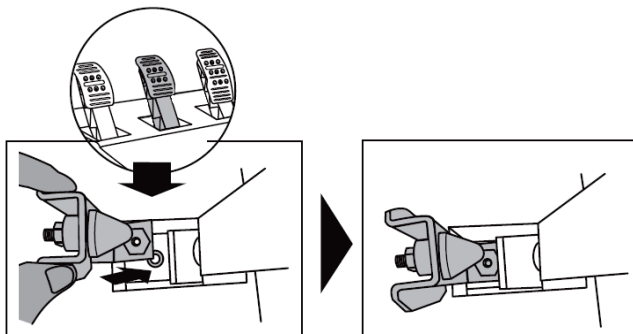
Dodatkowy mod powoduje inne odczucia i inny opór podczas hamowania.

Ewentualną decyzję o jego zainstalowaniu powinien podjąć użytkownik na podstawie własnych preferencji.

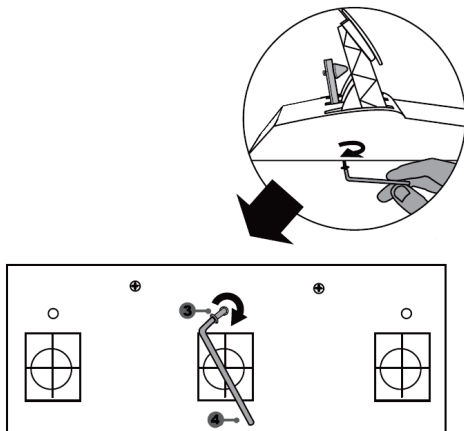
- Wkręć ogranicznik stożkowy (2) w jego metalową podpórkę (1).
- Nakręć nakrętkę do regulacji położenia (5) u dołu (na gwint ogranicznika stożkowego).



- Umieść gotowy element z tyłu ramienia pedału hamulca.



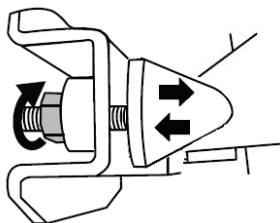
– Za pomocą dostarczonego klucza imbusowego 2,5 mm (4) zamocuj element, wkręcając śrubkę mocującą (3) w niewielki gwintowany otwór znajdujący się w środkowej części spodniej powierzchni zestawu pedałów.



Mod „CONICAL RUBBER BRAKE” został zainstalowany!

Regulacja ZAKRESU ruchu i SIŁY oporu pedału hamulca

Przez nieznaczne odkręcenie nakrętki (5) można dodatkowo zwiększyć opór pedału hamulca, przesuwając ogranicznik stożkowy (2) bliżej tylnej powierzchni ramienia pedału (w razie potrzeby użyj klucza 14 mm lub kombinerek w celu dokręcenia nakrętki i zachowania wybranego położenia). Im bliżej tylnej powierzchni ramienia pedału znajduje się ogranicznik, tym większa jest siła oporu.



Uwaga: jeśli ogranicznik stożkowy znajduje się bardzo blisko tylnej powierzchni ramienia pedału hamulca, osiągnięcie maksymalnej wartości kalibracji może być utrudnione. W takim przypadku:

* Powoli bardzo mocno naciśnij na pedał hamulca, tak aby osiągnąć wartość maksymalną (w razie potrzeby stań na pedale przez bardzo krótka chwile — wystarczy sekunda), a następnie puść pedał, lub

* Odsuń nieco ogranicznik stożkowy od tylnej powierzchni ramienia pedału hamulca.

INFORMACJE DOTYCZĄCE GWARANCJI DLA KLIENTA

Firma Guillemot Corporation S.A. z siedzibą pod adresem Place du Granier, B.P. 97143, 35571 Chantepie, Francja („Guillemot”) udziela klientowi obowiązującej na całym świecie gwarancji, że niniejszy produkt Thrustmaster będzie wolny od wad materiałowych i produkcyjnych przez okres gwarancji równy limitowi czasu, w którym klient może występować z roszczeniami z tytułu wad niniejszego produktu. W krajach Unii Europejskiej jest to okres dwóch (2) lat od dostarczenia produktu Thrustmaster. W innych krajach okres gwarancji jest równy limitowi czasu, w którym klient może występować z roszczeniami z tytułu wad produktu Thrustmaster zgodnie z przepisami obowiązującymi w kraju, w którym klient mieszkał w dniu zakupu produktu Thrustmaster. (Jeśli przepisy danego kraju nie przewidują występowania z takimi roszczeniami, okres gwarancji będzie wynosił jeden (1) rok od pierwotnej daty zakupu produktu Thrustmaster).

Jeśli w okresie gwarancji wystąpią objawy mogące świadczyć o wadzie produktu, należy niezwłocznie skontaktować się z działem pomocy technicznej, który wskaże dalszy sposób postępowania. W razie potwierdzenia wady produkt należy zwrócić w punkcie zakupu (lub innym miejscu wskazanym przez dział pomocy technicznej).

W ramach niniejszej gwarancji wadliwy produkt zostanie wymieniony lub przywrócony do stanu sprawności użytkowej, zgodnie z decyzją działu pomocy technicznej. Jeśli w okresie gwarancji produkt Thrustmaster zostanie poddany czynnościom mającym na celu przywrócenie go do stanu użytkowego, dowolny okres co najmniej siedmiu (7) dni, podczas których produkt nie jest użytkowany, zostanie dodany do pozostałego okresu gwarancji (okres ten liczy się od dnia, w którym klient poprosi o interwencję, lub od dnia, w którym dany produkt zostanie udostępniony celem przywrócenia do stanu użytkowego, jeśli data udostępnienia celem przywrócenia do stanu użytkowego następuje po dacie prośby o interwencję). Jeśli zezwala na to obowiązujące prawo, całkowita odpowiedzialność firmy Guillemot i jej podmiotów zależnych (łącznie z odpowiedzialnością za szkody wtórne) ogranicza się do przywrócenia do stanu użytkowego lub wymiany produktu Thrustmaster. Jeśli zezwala na to obowiązujące prawo, firma Guillemot wyłącza wszelkie gwarancje pokupności i przydatności do określonego celu.

Niniejsza gwarancja nie obowiązuje: (1) w przypadku, gdy produkt został zmodyfikowany, otwarty, zmieniony albo uszkodzony na skutek nieodpowiedniego lub nadmiernego użytkowania, niedbałości, wypadku, normalnego zużycia lub z innego powodu niezwiązanego z wadą materiałową ani produkcyjną (w tym między innymi z powodu połączenia produktu Thrustmaster z nieodpowiednim elementem, w tym w szczególności z zasilaczem, akumulatorem, ładowarką lub jakimkolwiek innym elementem niedostarczonym przez firmę Guillemot dla tego produktu); (2) w przypadku używania produktu w sposób inny niż użytek domowy, w tym do celów zawodowych lub komercyjnych (na przykład w salonach gier albo do prowadzenia szkoleń lub zawodów); (3) w razie nieprzestrzegania instrukcji podanych przez dział pomocy technicznej; (4) w odniesieniu do oprogramowania, jako że oprogramowanie to jest objęte odrębną szczegółową gwarancją; (5) w odniesieniu do materiałów eksploatacyjnych (elementów wymienianych w czasie eksploatacji produktu, na przykład baterii jednorazowych, muszli/nakładek na uszy do zestawów słuchawkowych lub słuchawek); (6) w odniesieniu do akcesoriów (na przykład kabli, pokrowców, etui, torebek, pasków na rękę); (7) w przypadku sprzedania produktu na aukcji publicznej.

Niniejsza gwarancja nie podlega przeniesieniu.

Niniejsza gwarancja nie wpływa na prawa klienta wynikające z przepisów dotyczących sprzedaży dóbr konsumenckich w kraju klienta.

Dodatkowe postanowienia gwarancyjne

W okresie gwarancji firma Guillemot zasadniczo nie udostępnia jakichkolwiek części zamiennych, ponieważ jedynym podmiotem upoważnionym do otwarcia jakiegokolwiek produktu Thrustmaster i/lub przywrócenia go do stanu użytkowego jest dział pomocy technicznej (oprócz ewentualnych procedur przywracania produktu do stanu użytkowego, o wykonanie których dział pomocy technicznej może poprosić klienta przez przekazanie pisemnych instrukcji — np. ze względu na prostotę i jawność procesu przywracania do stanu użytkowego — oraz, w razie potrzeby, przez udostępnienie klientowi wymaganych części zamiennych).

Ze względu na realizowane cykle innowacji oraz konieczność zapewnienia ochrony swojej specjalistycznej wiedzy i tajemnic handlowych firma Guillemot zasadniczo nie udostępnia powiadomień dotyczących przywracania do stanu użytkowego ani części zamiennych w przypadku produktów Thrustmaster, których okres gwarancji upłynął.

Odpowiedzialność

Jeśli zezwala na to obowiązujące prawo, firma Guillemot Corporation S.A. („Guillemot”) i jej podmioty zależne nie ponoszą żadnej odpowiedzialności za szkody spowodowane przez co najmniej jeden z następujących czynników: (1) modyfikację lub otwarcie produktu bądź wprowadzenie w nim zmian; (2) nieprzestrzeganie instrukcji montażu; (3) nieodpowiednie lub nadmierne użytkowanie, niedbałość, wypadek (na przykład uderzenie); (4) normalne zużycie; (5) używanie produktu w sposób inny niż użytek domowy, w tym do celów zawodowych lub komercyjnych (na przykład w salonach gier albo do prowadzenia szkoleń lub zawodów). Jeśli zezwala na to obowiązujące prawo, firma Guillemot i jej podmioty zależne nie ponoszą żadnej odpowiedzialności za szkody niezwiązane z wadą materiałową lub produkcyjną produktu (w tym między innymi za szkody spowodowane bezpośrednio lub pośrednio przez jakiegokolwiek oprogramowanie lub na skutek połączenia produktu Thrustmaster z nieodpowiednim elementem, w tym w szczególności z zasilaczem, akumulatorem, ładowarką lub jakimkolwiek innym elementem niedostarczonym przez firmę Guillemot dla tego produktu).

THRUSTMASTER®

WSPARCIE TECHNICZNE

<http://support.thrustmaster.com>



PRAWA AUTORSKIE

© 2016 Guillemot Corporation S.A. Wszelkie prawa zastrzeżone. Thrustmaster® jest zastrzeżonym znakiem towarowym firmy Guillemot Corporation S.A. Wszystkie inne znaki towarowe stanowią własność odpowiednich podmiotów. Ilustracje nie są wiążące prawnie. Treść, wzory i dane techniczne przedstawione w instrukcji mogą ulec zmianie bez powiadomienia i mogą różnić się w zależności od kraju. Wyprodukowano w Chinach.

ZALECENIE DOTYCZĄCE OCHRONY ŚRODOWISKA



* Na terenie Unii Europejskiej: gdy okres przydatności produktu do eksploatacji dobiegnie końca, produktu nie należy pozbywać się wraz ze zwykłymi odpadami z gospodarstwa domowego, ale oddać do recyklingu w punkcie zbiórki zużytego sprzętu elektrycznego i elektronicznego. Potwierdza to symbol znajdujący się na produkcie, w instrukcji obsługi lub na opakowaniu.

Zależnie od swoich właściwości materiały zawarte w produkcie mogą nadawać się do recyklingu. Dzięki recyklingowi i innym formom utylizacji zużytych urządzeń elektrycznych i elektronicznych klient może w znacznym stopniu przyczynić się do

ochrony środowiska. Aby uzyskać informacje o najbliższych punktach zbiórki odpadów, należy skontaktować z miejscowymi władzami.

We wszystkich innych krajach: należy przestrzegać miejscowych przepisów dotyczących recyklingu sprzętu elektrycznego i elektronicznego.

Niniejsze informacje należy zachować. Kolorystyka i elementy ozdobne mogą różnić się od przedstawionych.

Przed korzystaniem z produktu należy zdjąć z niego plastikowe elementy mocujące oraz naklejki.

www.thrustmaster.com

**Dotyczy wyłącznie UE i Turcji*

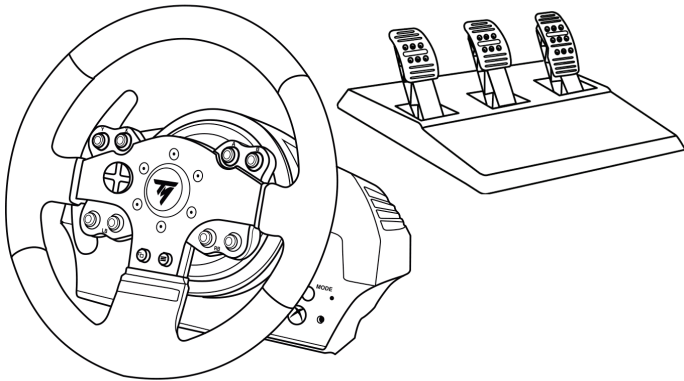


TMX PRO

FORCE FEEDBACK

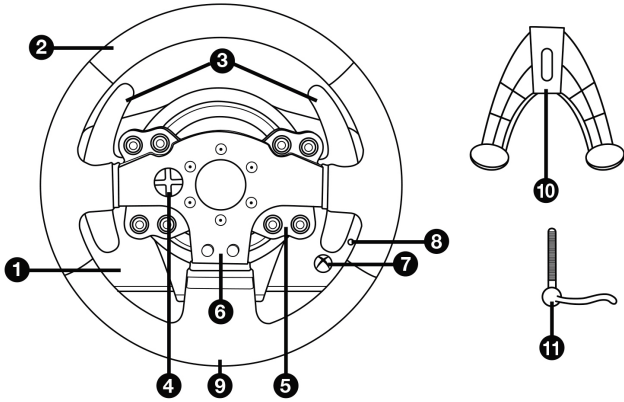
خاصة بـ XBOX ONE و الكمبيوتر

دليل المستخدم



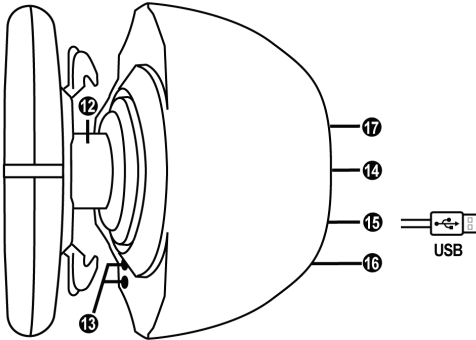
تحذير:

للتأكد من أن عجلة السباق TMX تعمل بشكل صحيح مع ألعاب (Xbox One و الكمبيوتر)، قد يُطلب منك تثبيت التحديثات التلقائية للألعاب (تتوفر عند توصيل النظام في الألعاب بالإنترنت).



- 7 زر Xbox Guide + مصباح مؤشر أبيض
 8 زر MODE (الوضع) + ضوء مؤشر
 أحمر/أخضر
 9 ثقب ملول كبير (لأداة التركيب وبرغي الربط)
 10 أداة الربط
 11 برغي تثبيت معدي

- 1 قاعدة TMX
 2 عجلة
 3 دواستا نقل السرعة بشكل متبادل (Up & Down)
 4 لوحة D متعددة الاتجاهات
 5 أزرار إجراءات
 6



- 15 كابل وموصل USB لعجلة السباق
 16 موصل صندوق التروس
 (ربيع صندوق التروس منفصلاً)
 17 موصل مجموعة الدواسمة

- 12 محور توجيه
 13 زر Xbox Guide + مصباح مؤشر أبيض
 14 كابل طاقة
 أو موصل مصدر الطاقة الرئيسي
 (يختلف من بلد إلى آخر)

تحذيرات

قبل استخدام هذا المنتج، يرجى قراءة هذا الدليل بعناية والاحتفاظ به للرجوع إليه فيما بعد.



تحذير - صدمة كهربائية

- * يتم تخزين المنتج في مكان جاف مع عدم تعريضه للأتربة أو أشعة الشمس.
- * لا تقم بجندل الموصلات والكابلات أو سحبها.
- * لا تقم بسكب أي سائل على المنتج أو موصلاته.
- * لا تقم بعمل قصر في دائرة المنتج.
- * لا تقم بكف المنتج، ولا تلقه في لهب ولا تعرضه لدرجات حرارة مرتفعة.
- * لا تستخدم كابل مصدر طاقة غير المرفق مع عجلة السباق الخاصة بك.
- * لا تستخدم كابل مصدر طاقة رئيسية في حالة تلف الكابل أو الموصلات أو شقه أو كسره.
- * تأكد من أن كابل الطاقة الرئيسية موصل في مقيس الطاقة على النحو الصحيح، وأنه موصل على النحو الصحيح بالموصل الموجود في الجهة الخلفية من عجلة السباق.
- * لا تفتح عجلة السباق. لا توجد أجزاء قابلة للاستبدال بواسطة المستخدم بالداخل. يجب تنفيذ أي إصلاحات عن طريق الشركة المصنعة أو ممثل معتمد أو فني مؤهل.
- * لا تستخدم إلا أدوات التوصيل/الملحقات المحددة بواسطة الشركة المصنعة.
- * إذا كانت عجلة القيادة لا تعمل بشكل صحيح (تصدر أصواتًا أو حرارة أو رائحة غير عادية)، فتوقف عن استخدامها على الفور، وقم بفصل كابل الطاقة من المنفذ وقم بفصل الكابلات الأخرى.
- * إذا لم تكن ستستخدم عجلة القيادة لمدة طويلة، فقم بفصل مهايئ الطاقة الرئيسية من المنفذ الكهربائي.
- * استخدم فقط مصدر الطاقة المقدم مع عجلة السباق (في حالة الحاجة إلى مصدر طاقة خارجي)
- * يجب أن يكون المرزج الكهربائي موجودًا بالقرب من الجهاز ويجب أن يكون متاحًا للوصول إليه بسهولة.



فتحات الهواء

- تأكد من عدم إعاقة أي من فتحات الهواء الموجودة على قاعدة عجلة القيادة. للحصول على تهوية مثلى، يرجى الالتزام بالنقاط الواردة أدناه:
- * ضع القاعدة على مسافة لا تقل عن 10 سم من أي حائط.
 - * لا تضع القاعدة في أي أماكن ضيقة.
 - * لا تغطي القاعدة.
 - * لا تسمح بتراكم الأتربة على فتحات التهوية.



لأسباب تتعلق بالسلامة، لا تستخدم مجموعة الدواسة بقدم عارية

أو أثناء ارتداء جوارب فقط.

لا تتحمل THRUSTMASTER® أي مسؤولية في حالة وقوع إصابات ناتجة عن استخدام

مجموعة الدواسة بدون حذاء.



تحذير - الإصابات الناتجة عن قوة رد الفعل والحركات المتكررة

قد يتسبب اللعب باستخدام رد فعل قوي لعجلة توجيه في حدوث ألم في العضلات أو المفاصل. لتجنب أي مشكلات:
* تجنب اللعب لفترات طويلة.

- * ادخل في فترة راحة من 10 إلى 15 دقيقة بعد كل ساعة من اللعب.
- * إذا شعرت بأي تعب أو ألم في اليدين أو المعصمين أو الذراعين أو القدم أو الرجلين، فتوقف عن اللعب واسترح بضع ساعات قبل بدء اللعب مرة أخرى.

تحذير - الإصابات الناتجة عن قوة رد الفعل والحركات المتكررة (متابعة)

- * إذ استمرت الأعراض أو الألم المشار إليه أعلاه عند بدء اللعب مرة أخرى، فتوقف عن اللعب واستشر طبيبك.
- * تحفظ بعيدًا عن تناول أيدي الأطفال.
- * أثناء اللعب، اترك كلتا يديك دائمًا في موضع صحيح على عجلة القيادة دون تمريرها منها بشكل كامل.
- * أثناء اللعب، لا تضع يديك أو أصابعك أسفل الدواسات أو في أي مكان بالقرب من مجموعة الدواسات.
- * أثناء المعالجة واللعب، لا تمرر يدك أو ذراعك من خلال الفتحات الموجودة في عجلة السباق.
- * تأكد من تأمين قاعدة عجلة السباق على نحو صحيح، حسب التعليمات الواردة في هذا الدليل.

منتج ثقيل الوزن



منتج يستخدم بواسطة مستخدمين لا يقل سنهم عن 14 عام



احرص على عدم إسقاط المنتج على نفسك أو على غيرك!

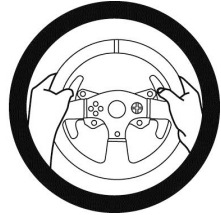
مطلقًا



مطلقًا



دائمًا

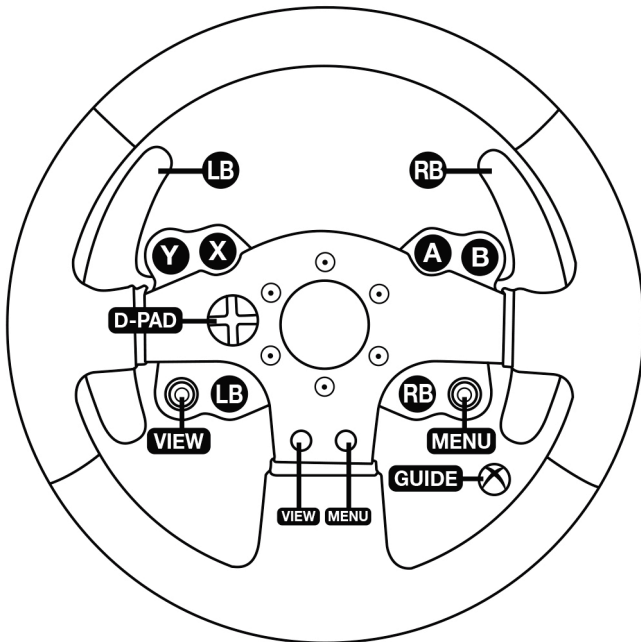


إعداد عجلة السباق الخاصة بك لـ XBOX ONE

1. قم بتوصيل مجموعة الدواسة بالموصل (17) الموجود خلف قاعدة عجلة السباق.
2. قم بتوصيل كابل مصدر الطاقة بالموصل (14) الموجود خلف قاعدة عجلة السباق.
3. قم بتوصيل كابل مصدر الطاقة بمنفذ رئيسي بمواصفات جهد مناسبة.
4. قم بتوصيل موصل USB الخاصة بعجلة السباق (15) بأحد منافذ USB للنظام.
5. بمجرد تشغيل النظام، سوف تقوم عجلة السباق بالمعايرة الذاتية تلقائيًا.
انت الآن مستعد للعب!

- تتوفر قائمة بالملب Xbox One المتوافقة مع TMX Force Feedback على:
<http://support.thrustmaster.com>
(انقر Racing Wheels / TMX Force Feedback).
يتم تحديث هذه القائمة بانتظام

تخطيط XBOX ONE



إعداد عجلة السباق للكمبيوتر

1. انتقل إلى <http://support.thrustmaster.com> لتنزيل برامج التشغيل وبرامج رد فعل القوة للكمبيوتر. في قسم Racing Wheels / TMX Force Updates and Downloads (التحديثات والتنزيلات)، انقر فوق Feedback (كمبيوتر / عجلات / TMX Force Feedback)، ثم حدد Drivers (برامج التشغيل).

2. بمجرد اكتمال التنزيل، قم بتشغيل التثبيت، واتبع التعليمات على الشاشة لتوصيل قابس USB الخاص بالعجلة في الكمبيوتر وإتمام التثبيت.

3. بمجرد اكتمال التثبيت، انقر فوق Finish (إنهاء) وقم بإعادة تشغيل الكمبيوتر الخاص بك.

4. حدد Start / All Programs / Thrustmaster / FFB Racing Wheel / Control Panel (البدء / كافة البرامج / Thrustmaster / FFB Racing Wheel / لوحة التحكم) لفتح نافذة Game Controllers (وحدات التحكم بالألعاب).

تعرض نافذة Game Controllers (وحدات التحكم بالألعاب) اسم عجلة السباق Thrustmaster TMX Racing Wheel بالحالة OK (تم).

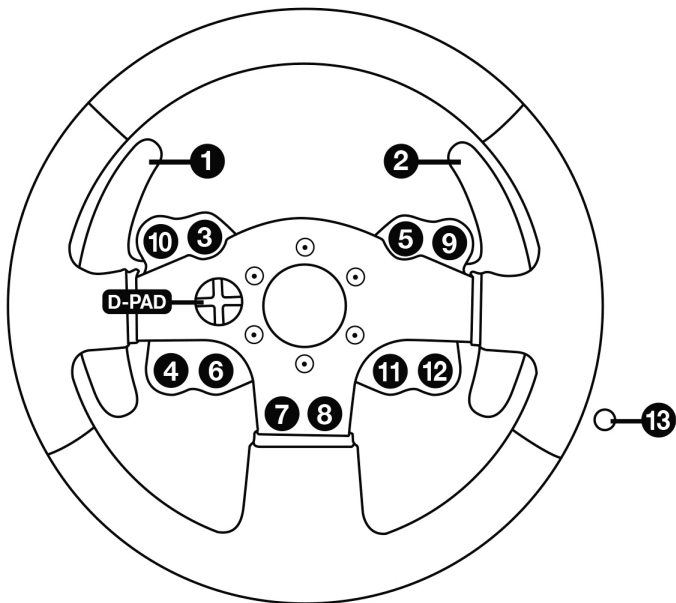
5. انقر فوق (خصائص) لتكوين العجلة الخاصة بك في لوحة التحكم :

- علامة تبويب Test Input (اختبار الإدخال): تتيح اختبار أزرار الإجراء وأزرار الاتجاهات ومحاور العجلة والدواسات وعرضها، وضبط زاوية دوران العجلة في ألعاب الكمبيوتر الخاصة بك.
- علامة تبويب Test Forces (اختبار القوى): تتيح اختبار 12 مؤثر لرد فعل القوة.
- علامة تبويب Gain Settings (إعدادات الاكتساب): تتيح ضبط طاقة تأثيرات رد فعل القوة في ألعاب الكمبيوتر.

أنت الآن مستعد للعب!

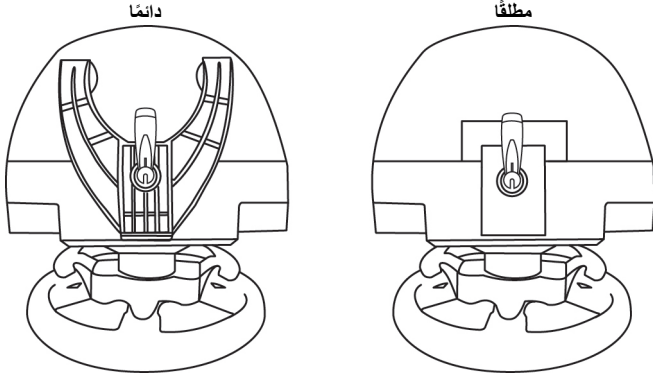
ملاحظات عامة:

- على الكمبيوتر انقر فوق OK (موافق) لإغلاق نافذة Game Controllers (وحدات التحكم بالألعاب) قبل تشغيل اللعبة.
- على الكمبيوتر، سيتم حفظ عمليات الضبط التي يتم إجراؤها في نافذة Game Controllers (وحدات التحكم بالألعاب) على الكمبيوتر الخاص بك فقط (ومن ثم لن تؤثر على Xbox One).
- يتم عرض إصدار البرنامج الثابت للعجلة في الركن العلوي الأيمن في علامات تبويب لوحة تحكم TMX Force Feedback.

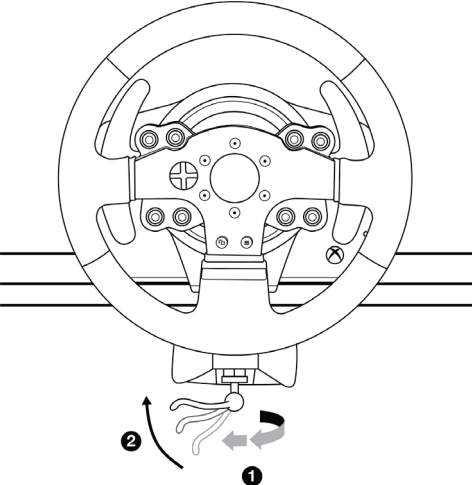
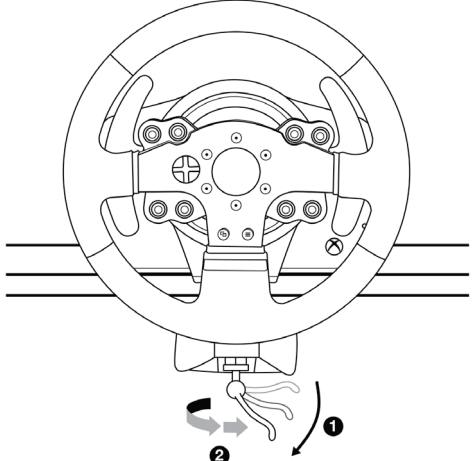


تركيب عجلة السباق على طاولة أو سطح مكتب

1. ضع عجلة السباق على طاولة أو أي سطح آخر أفقي ومستوي ومتزن.
2. أدخل برغي التثبيت (11) في أداة الربط (10) ثم قم بإحكام الجهاز عن طريق تدوير البرغي في عكس اتجاه عقارب الساعة، بحيث يدخل في الثقب الكبير المولب (9) الموجود أسفل عجلة السباق، حتى تستقر العجلة تمامًا.



تحذير: لا تَقم مطلقًا بربط البرغي بمفرده، دون أداة الربط!
(قد يؤدي ذلك إلى تلف عجلة القيادة).

الاتجاه	التركيب/ الإزالة
	<p>للربط</p> <p>تدوير البرغي عكس اتجاه عقارب الساعة</p>
	<p>للفك</p> <p>تدوير البرغي في اتجاه عقارب الساعة</p>

المعايرة التلقائية لعجلة السباق

تعمل عجلة السباق على إجراء معايرة ذاتية تلقائيًا عند توصيل عجلة السباق بمصدر الطاقة الرئيسية وموصل USB لعجلة السباق بنظام Xbox One. خلال هذه المرحلة، ستدور عجلة السباق بسرعة باتجاه اليمين واليسار، وتغطية زاوية 900 درجة قبل التوقف في المنتصف.

تحذير: لا تقم مطلقًا بلمس عجلة السباق أثناء مرحلة المعايرة الذاتية!
(قد يتسبب ذلك في إجراء معايرة غير صحيحة و/أو إصابات شخصية)

زر MODE ومصباح المؤشر (8)

زر MODE لمجموعة الدواساة

كما أن TMX Force Feedback متوافقة مع مجموعة دواساة Thrustmaster التي توفر 3 دواسات ؛ حيث يمكنك ذلك من التبديل الإلكتروني لدواساة السرعة والقابض. للقيام بذلك، ما عليك إلا الضغط على الزر (8) MODE لمدة ثلاثين. تعمل الذاكرة الداخلية لعجلة السباق على تخزين ما إذا كان يتم التبديل بين الدواسات أم لا.

لون مصباح مؤشر MODE (8)	دواستي السرعة والقابض
أحمر	عادي
أخضر	إمكانية التبديل



تحذير: عند استخدام مجموعة الدواساة هذه، تأكد من بقاء مصباح المؤشر باللون الأحمر، وإلا فلن تعمل دواساة السرعة بشكل صحيح.

تلميحَات أخرى حول الزر MODE

لمعرفة المزيد حول زر MODE ومصباح المؤشر، يرجى الانتقال إلى <http://support.thrustmaster.com>. انقر فوق **TMX Force Feedback < Racing Wheels** Manual أو FAQ.

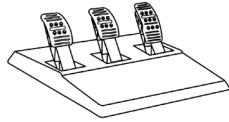
ترقية البرنامج الثابت لعجلة السباق الخاصة بك

يمكن ترقية البرنامج الثابت المضمن في قاعدة عجلة السباق الخاصة بك إلى إصدار أحدث يوفر تحسينات للمنتج. لعرض إصدار البرنامج الثابت الموجود على عجلة السباق الخاصة بك حاليًا وتحديثه إذا لزم الأمر: على الكمبيوتر، انتقل إلى <http://support.thrustmaster.com>. انقر فوق **TMX Force < Racing Wheels** Firmware، ثم حدد التعليمات التي تصف إجراء التنزيل والتثبيت.

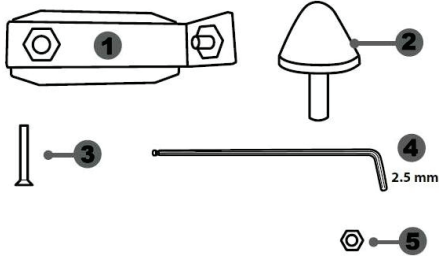
ملفات التعليمات والأسئلة المتداولة (لم يتم تضمينها في هذا الدليل)

الرجاء زيارة الموقع <http://support.thrustmaster.com>. انقر فوق **TMX < Racing Wheels** Force Feedback Manual أو FAQ.

إذا لم تعمل عجلة السباق ومجموعة الدواساة بشكل صحيح، أو إذا بدا أن المعايرة غير صحيحة: قم بإيقاف تشغيل النظام الخاص بك، وقم بفصل عجلة السباق بالكامل. وقم بإعادة توصيل كافة الكابلات (باستخدام كابل مصدر الطاقة الرئيسية ومجموعة الدواساة)، ثم قم بإعادة تشغيل النظام واللعبة الخاصة بك.

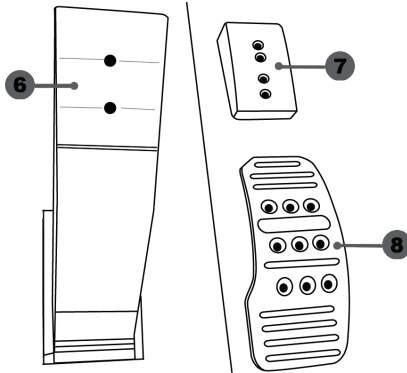


الميزات التقنية



5.2 ملم مفتاح ألن (مضمن)
5 صمولة ضبط المكان للمسمار ذو الرأس
المخروطية

1 داعمة معدنية للمسمار ذو الرأس
المخروطية
(غير مثبت في الوضع الافتراضي)
2 مسمار ذو رأس مخروطية
3 مسمار قلاووظ لربط الداعمة المعدنية



8 رأس الدواسة المعدنية

6 ذراع الدواسة
7 رأس داعمة بلاستيكية

تحذير

قبل استخدام هذا المنتج، تأكد من قراءة هذه التعليمات بعناية واحفظها لترجع إليها لاحقًا.



لأسباب تتعلق بالسلامة لا تستخدم مجموعة الدواسات حافي القدمين أو أثناء ارتداء الجوارب فقط في قدميك.

تخلي **THRUSTMASTER®** مسؤوليتهما في حال حدوث إصابة ناجمة عن استخدام مجموعة الدواسات دون ارتداء الأحذية.



تحذير - خطر وضع اليد عند مجموعة الدواسات أثناء جلسات الألعاب

* احفظ مجموعة الدواسات بعيدًا عن متناول الأطفال.

* أثناء جلسات الألعاب، لا تضع أصابعك أو إبهامك على جوانب الدواسات أو بالقرب منها.

* أثناء جلسات الألعاب، لا تضع أصابعك أو إبهامك على القاعدة الخلفية للدواسات أو بالقرب منها.

* أثناء جلسات الألعاب، لا تضع أصابعك أو إبهامك على القاعدة الأمامية للدواسات أو بالقرب منها.

ممنوع...



ممنوع



ممنوع





- لا توصل مجموعة الدواسات أو تفصلها من قاعدة العجلة عند توصيل العجلة إلى وحدة التحكم أو أثناء جلسات الألعاب لتجنب مشاكل المعايرة.
- =دائماً وصل مجموعة الدواسات إلى العجلة قبل توصيل العجلة إلى وحدة التحكم.
- بمجرد معايرة العجلة ذاتياً وبدء اللعبة، تقوم الدواسات بالمعايرة الذاتية بعد الضغط عليها بضع مرات.
- لا تضغط على الدواسات أثناء معايرة العجلة ذاتياً أو أثناء بدء تشغيل اللعبة لتجنب مشاكل المعايرة.
- إذا لم تعمل الدواسات على النحو الصحيح أو إذا كان من الواضح أنها تمت معايرتها على النحو الخاطئ، أوقف تشغيل وحدة التحكم وافصل العجلة بشكل كامل ثم أعد توصيل جميع الكابلات (بما في ذلك كابل موثر الطاقة وكابل مجموعة الدواسات)، أعد تشغيل وحدة التحكم وأعد تشغيل اللعبة.

توصيل مجموعة الدواسات في مقصورة اللعب

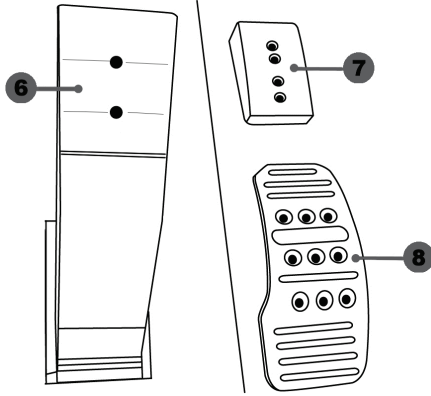
- وصل مجموعة الدواسات باستخدام السن اللولبي الموجود على الجانب السفلي من مجموعة الدواسات.
 - قم بربط مسمارين قلاووظ M6 (غير مضمنين) في لوحة دعم الدواسات في مقصورة اللعب وفي السنين اللولبيين الصغيرين الموجودين على الجانب السفلي من مجموعة الدواسات.
- هام:** يجب ألا تكون المسامير القلاووظ M6 أطول من سمك لوحة دعم الدواسات في مقصورة اللعب مضافاً إليه 10 ملم، لتجنب الإضرار بالمكونات الداخلية لمجموعة الدواسات.

تتوفر مخططات تخطيط المقصورات (لوضع قاعدة عجلة السباق و/أو مجموعة الدواسات) على

<http://support.thrustmaster.com> انقر فوق **TMX Force Feedback < Racing Wheels** ، ثم حدد **Manual** أو **FAQ** .

ضبط مجموعة الدواسات

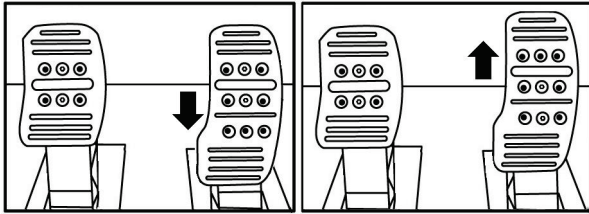
- تحتوي كل واحدة من الثلاث دواسات على:
- رأس معدنية (8) ذات ثقب متعددة (9) للمسرّع - 6 للمكبّح - 6 للقابض).
 - رأس بلاستيكية داعمة (7) (توضع ما بين الرأس والنراع) ذات 4 ثقب.
 - ذراع دواسة (6) ذو ثقبين.



انتباه: لتجنب أي مشاكل في المعايير، تأكد من فصل كابل USB الخاص بالعجلة قبل إجراء أي تعديلات على مجموعة الدواسات.

تعديل طول دواسة المسرّع

- باستخدام مفتاح ألن 2.5 مم المضمن (4)، فك البرغيين المثبتين للرأس المعدنية (8) ودعامتها (7) في مكانها.
- حدد مكان الطول المفضل لك ثم استبدل البراغي وأعد إحكام ربطها بحيث تكون الرأس المعدنية (8) ودعامتها (7) مثبتة بإحكام في مكانها.



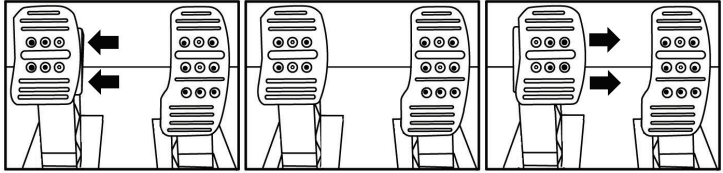
الوضع المنخفض (افتراضي)

الوضع المرتفع

تعديل المسافات بين الدواسات الثلاثة

- باستخدام مفتاح ألن 2.5 مم المضمن (4)، فك البرغيين المثبتين للرأس المعدنية (8) ودعامتها (7) في مكانها.
- حدد الارتفاع المفضل لك (إلى اليسار أو المنتصف أو اليمين)، ثم استبدل البراغي وأعد إحكام ربطها بحيث تكون الرأس المعدنية (8) ودعامتها (7) مثبتة بإحكام في مكانها.

أمثلة توضح دواسة المكبح:



في اليسار

في المنتصف (افتراضي)

في اليمين

عدد أوضاع المسافات الممكنة لكل دواسة

3 لدواسة المسرع

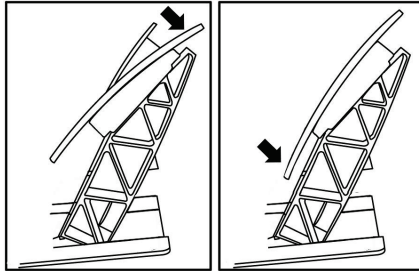
3 لدواسة المكبح

3 لدواسة القابض

تعديل ميل الدواسات

- باستخدام مفتاح ألن 2.5 مم المضمن (4)، فك البرغيين المثبتين للرأس المعدنية (8) ودعامتها (7) في مكانها.
- لف داعمة الرأس البلاستيكية (7) 180° ، ثم استبدل البراغي وأعد إحكام ربطها بحيث تكون الرأس المعدنية (8) ودعامتها (7) مثبتة بإحكام في مكانها.

أمثلة توضح دواسة المسرع



وضع مائل قليلاً

وضع مائل أكثر (افتراضي)

عدد أوضاع الميل الممكنة لكل دواسة

2 لدواسة المسرع

2 لدواسة المكبح

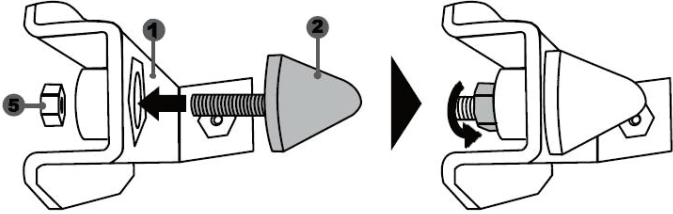
2 لدواسة القابض

تركيب المسمار ذو الرأس المخروطية (تعديل "المكبج المطاطي المخروطي")

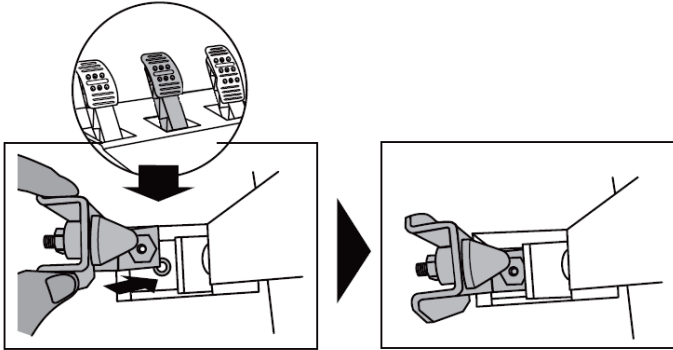
لا يعتبر هذا التعديل ضروريًا ولا يتم تركيبه في بشكل افتراضي. مما يعني أن وظائف دواسة المكبج تعمل بشكل مثالي حتى في حال عدم تركيب التعديل.

يتيح لك هذا التعديل تجربة إحساس مختلف ومقاومة عند الكبح. ويرجع لك الأمر في تركيبه من عدمه، حسب تفضيلك.

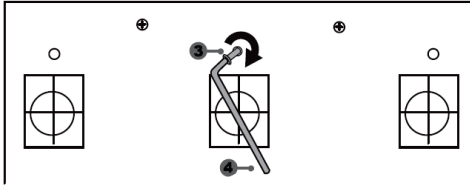
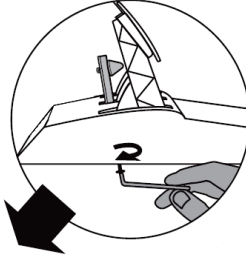
- اربط المسمار ذو الرأس المخروطية (2) في الداعمة المعدنية (1).
- اربط صامولة تعديل الوضع (5) في الأسفل (في السن اللولبي للمسار ذو الرأس المخروطية).



- ضع الوحدة في ظهر ذراع دواسة المكبج.



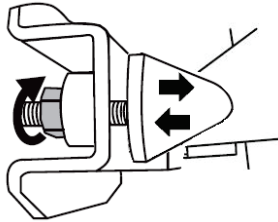
- باستخدام مفتاح 2.5 ملم (4)، اربط الوحدة باستخدام برغي الربط (3) والسن اللولبي الصغير المركزي الموجود على الجانب السفلي من مجموعة الدواسات.



تم الآن تركيب تعديل "المكبج المطاطي المخروطي"

تعديل نطاق السفر لدواسة المكبج وقوة المقاومة

عن طريق الفك الخفيف للصلامولة (5)، يمكنك زيادة تعزيز مقاومة دواسة الفرامل عن طريق تحريك المسمار ذو الرأس المخروطية (2) أقرب إلى ظهر ذراع الدواسة (إذا لزم الأمر، استخدم مفتاح 14 مم أو زردية لإعادة إحكام ربط الصمامولة والحفاظ على الموضع المحدد). كلما اقترب المسمار ذو الرأس المخروطية من ظهر الذراع، زادت قوة المقاومة.



ملاحظة: عندما يكون المسمار ذو الرأس المخروطية قريباً للغاية من ظهر ذراع دواسة المكبج، فقد تواجه بعض الصعوبات في الوصول إلى أقصى قيمة للمعايرة. وفي تلك الحالة:
*** بيّط،** اضغط بقوة على دواسة المكبج بحيث تصل إلى أقصى قيمة (إذا كان ضرورياً، قف على الدواسة للحظة واحدة)، ثم اقلت الضغط، أو غير ذلك.
***** حرك المسمار ذو الرأس المخروطية قليلاً بعيداً عن ظهر ذراع دواسة المكبج.

- * ذراع تبديل السرعة الخاص بي لا يعمل بشكل صحيح، أو يبدو أنه قد تمت معايرته على نحو خاطئ:
- قم بإيقاف تشغيل الكمبيوتر أو الوحدة الرئيسية وافصل ذراع تبديل السرعة ثم أعد توصيله وأعد تشغيل اللعبة.
- في اللعبة، أسفل "خيارات/وحدة التحكم"، حدد التكوين الأكثر ملاءمة أو قم بإعداده.
- راجع دليل مستخدم اللعبة أو التعليمات المتوفرة على الإنترنت للحصول على مزيد من المعلومات.

- تتوفر العديد من موضوعات التعليمات والتلميحات (غير المضمنة في هذا الدليل) على موقع ويب <http://support.thrustmaster.com>، أسفل **Technical Support** (الدعم الفني).

الدعم الفني

إذا واجهت مشكلة مع المنتج الخاص بك، فيرجى الانتقال إلى <http://support.thrustmaster.com> وتحديد اللغة. فمن هناك ستتمكن من الوصول إلى الأدوات المساعدة المتنوعة (الأسئلة الشائعة، أحدث إصدارات برامج التشغيل والبرامج) التي قد تساعدك في حل مشكلتك. إذا استمرت المشكلة، فيمكنك الاتصال بخدمة الدعم الفني لمنتجات Thrustmaster ("الدعم الفني"):

عن طريق البريد الإلكتروني:

الوصول إلى الدعم الفني الخاص بنا عبر البريد الإلكتروني، يجب أن تقوم أولاً بالتسجيل عبر الإنترنت على موقع ويب <http://support.thrustmaster.com>. حيث ستساعد المعلومات التي ستقدمها الفنيين في حل مشكلتك في أسرع وقت ممكن.

انقر فوق **Product Registration** (تسجيل المنتج) واتبع التعليمات المعروضة على الشاشة. إذا قمت بتسجيل المنتج بالفعل، فيرجى إدخال معلومات المستخدم في الحقول **Username** (اسم المستخدم) و **Password** (كلمة المرور) ثم انقر فوق **Login** (تسجيل الدخول).

معلومات ضمان المستهلك

تضمن شركة Guillemot Corporation S.A، العالمية (المشار إليها فيما بعد باسم "Guillemot") ومقرها الرئيسي في Place du Granier, B.P. 97143, 35571 Chantepie, France، للمستهلك أن يكون منتج Thrustmaster هذا خالياً من عيوب المواد و عيوب التصنيع، طوال مدة فترة الضمان التي تتوافق مع الفترة المحددة التي يمكن خلالها المطالبة بالمطابقة لاسترداد قيمة هذا المنتج أو استبداله. في دول الاتحاد الأوروبي، يسري هذا لمدة (2) عامين من تاريخ استلام المنتج Thrustmaster. وفي دول أخرى، تتوافق فترة الضمان مع الفترة المحددة للمطالبة بمطابقة المنتج Thrustmaster وفقاً للقوانين المعمول بها في الدولة التي كان يقطن بها المستهلك عند تاريخ شراء المنتج Thrustmaster (في حالة عدم المطالبة في الدولة المعنية، ستكون فترة الضمان عام (1) واحد من تاريخ الشراء الأصلي للمنتج Thrustmaster). وإذا ظهر أن المنتج معيباً خلال فترة الضمان، فاتصل على الفور بالدعم الفني الذي سيرشدك إلى الإجراءات التي يجب أن تتبناها. وإذا تم التأكد من وجود العيب، فيجب إعادة المنتج إلى مكان شرائه (أو أي موقع آخر يشير إليه الدعم الفني).

وفي سياق هذا الضمان، يجب استبدال المنتج المعيب الخاص بالمستهلك أو إصلاحه، وذلك حسب اختيار الدعم الفني. إذا خضع منتج Thrustmaster، في خلال فترة الضمان، لأي عملية إصلاح، فإن أي فترة يكون المنتج خلالها خارج الخدمة ويحد أدنى سبعة (7) أيام سوف تضاف إلى فترة الضمان المتبقية (تبدأ هذه الفترة من تاريخ طلب العميل للتدخل أو من تاريخ تقديم المنتج المذكور للإصلاح، إذا كان تاريخ تقديم المنتج للإصلاح لاحقاً لتاريخ طلب التدخل). تقتصر المسؤولية الكاملة لشركة Guillemot وفروعها (بما في ذلك الأضرار التبعية) على إصلاح المنتج Thrustmaster أو استبداله، وذلك عندما يكون هذا جائزاً بموجب القانون الساري. تخلي شركة Guillemot مسؤوليتها عن أي ضمانات خاصة بالتجارة أو الملاءمة لغرض معين، وذلك عندما يكون هذا جائزاً بموجب القانون الساري.

لا يسري هذا الضمان: (1) إذا تم تعديل المنتج أو فتحه أو تغييره أو إذا تعرض للتلف نتيجةً للاستخدام السيئ أو غير الملائم أو الإهمال أو حادث أو الإهلاك نتيجة الاستعمال العادي، أو أي سبب آخر لا يرتبط بوجود

عيب في المواد أو التصنيع (بما في ذلك، على سبيل المثال لا الحصر، تجميع منتج Thrustmaster بواسطة أي عنصر غير مناسب، بما في ذلك على وجه الخصوص وحدات الإمداد بالطاقة أو البطاريات القابلة لإعادة الشحن أو الشواحن أو أي عناصر أخرى لا يتم توريدها من خلال Guillemot لهذا المنتج)؛ (2) إذا استخدم المنتج لأي غرض آخر بخلاف الاستخدام المنزلي، بما في ذلك الأغراض المهنية أو التجارية (غرف الألعاب أو التدريب أو المسابقات على سبيل المثال)؛ (3) في حالة عدم الالتزام بالتعليمات المقدمة من قبل الدعم الفني؛ (4) على البرامج، حيث تخضع هذه البرامج لضمان محدد؛ (5) على العناصر الاستهلاكية (العناصر التي يتم استهلاكها خلال فترة عمر المنتج: كالبطاريات غير القابلة لإعادة الاستخدام أو سماعات الرأس أو وسادات الأذن الخاصة بسماعة الرأس)؛ (6) الملحقات (كالكبلات والعلب والحافظات والحقائب وأربطة المعصم)؛ (7) إذا تم بيع المنتج في مزاد علني.

هذا الضمان غير قابل للتحويل.

لا يؤثر هذا الضمان على الحقوق القانونية للمستهلك بمقتضى القوانين المطبقة على بيع السلع الاستهلاكية في بلده/بلدها.

شروط الضمان الأخرى

خلال فترة الضمان، لن توفر Guillemot، من حيث المبدأ، أي قطع غيار، حيث أن الدعم الفني هو الطرف الوحيد المخول بفتح و/أو إصلاح أي منتج من Thrustmaster (باستثناء أي إجراءات إصلاح يطلب الدعم الفني إجراؤها بواسطة العميل، عن طريق تعليمات مكتوبة – على سبيل المثال، نظرًا لبساطة عملة الإصلاح وعدم سربيتها – وتزويد العميل بقطعة (قطع) الغيار المطلوبة، حيثما أمكن ذلك.

لمقتضى المجالات الإبداعية ولحماية أسرار المعرفة الفنية والأسرار التجارية، لن توفر Guillemot، من حيث المبدأ، أي إشعارات للإصلاح أو قطع غيار لأي منتج Thrustmaster انتهت فترة الضمان الخاصة به.

المسؤولية

تخلي شركة Guillemot Corporation S.A. (المشار إليها فيما بعد باسم "Guillemot") وفروعها ومسؤوليتها كاملة عن أي أضرار تنتج عن حالة أو أكثر من الحالات التالية، إذا كان هذا جائزًا بموجب القانون الساري: (1) تعديل المنتج أو فتحه أو تغييره؛ (2) عدم الالتزام بتعليمات المجموعة؛ (3) الاستخدام السيئ أو غير الملائم أو الإهمال أو التعرض لحادث (تصادم، على سبيل المثال)؛ (4) الإهلاك الناتج عن الاستعمال العادي؛ (5) إذا استخدم المنتج لأي غرض آخر بخلاف الاستخدام المنزلي، بما في ذلك الأغراض المهنية أو التجارية (غرف الألعاب أو التدريب أو المسابقات على سبيل المثال). تخلي شركة Guillemot وفروعها كافة مسؤوليتها عن أي أضرار لا ترتبط ببيع في المواد أو التصنيع بتعلق بالمنتج (متضمنًا، على سبيل المثال لا الحصر، أي أضرار تحدث بشكل مباشر أو غير مباشر بسبب أي برنامج أو عن طريق دمج منتج Thrustmaster مع أي عنصر غير مناسب، بما في ذلك على وجه الخصوص وحدات الإمداد بالطاقة أو البطاريات القابلة لإعادة الشحن أو الشواحن أو أي عناصر أخرى لا يتم توريدها من خلال Guillemot لهذا المنتج)، إذا كان هذا جائزًا بموجب القانون الساري.

© 2016 Guillemot Corporation S.A. - كافة الحقوق محفوظة. العلامة® Thrustmaster هي علامة تجارية مسجلة لشركة Guillemot Corporation S.A. كافة العلامات التجارية الأخرى مملوكة لأصحابها المعنيين. الرسوم التوضيحية غير ملزمة. وتخضع المحتويات والتصميمات والمواصفات للتغيير دون إشعار وقد تختلف من بلد إلى آخر. صنع في الصين.

توصيات الحماية البيئية

في الاتحاد الأوروبي: عند انتهاء صلاحية المنتج، يجب عدم التخلص منه مع النفايات المنزلية العادية، لكن يوضع في نقطة تجميع خاصة بالتخلص من نفايات المعدات الكهربائية والإلكترونية (WEEE).



ويؤكد ذلك الرمز الموجود على المنتج أو دليل المستخدم أو الغلاف. يمكن إعادة تدوير المواد، على حسب خصائصها. من خلال إعادة التدوير والأشكال الأخرى لمعالجة نفايات المعدات الكهربائية والإلكترونية، يمكنك المشاركة بفعالية في المساعدة على حماية البيئة.

يرجى الاتصال بالسلطات المحلية لديك للحصول على معلومات حول نقطة التجميع الأقرب إليك. بالنسبة لكافة البلدان الأخرى: يرجى الالتزام بقوانين إعادة التدوير المحلية الخاصة بالمعدات الكهربائية والإلكترونية.

احتفظ بهذه المعلومات. قد تختلف الألوان والخطوط. يجب إزالة المواد المثبتة واللاصقة من المنتج قبل استخدامه.

www.thrustmaster.com

* ينطبق على الاتحاد الأوروبي وتركيا فقط

CE*

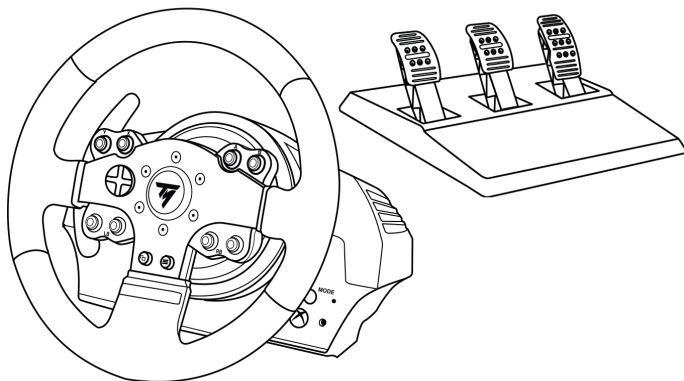


TMX PRO

FORCE FEEDBACK / RETOUR DE FORCE

FOR XBOX ONE® AND PC

User Manual



WARNING:

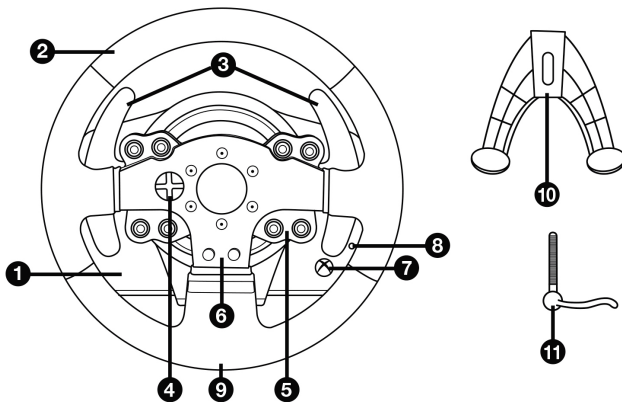
To ensure that your TMX racing wheel functions correctly with Xbox One and PC games, you may be required to install the game's automatic updates *(available when your console or PC is connected to the Internet).*

ENGLISH

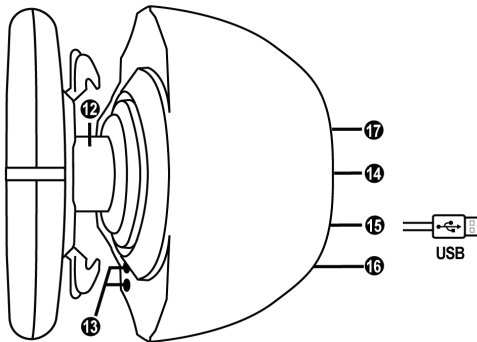
FRANÇAIS

ESPAÑOL

TECHNICAL FEATURES



- 1 TMX base
- 2 Wheel
- 3 2 sequential paddle shifters (up & down)
- 4 Directional buttons
- 5 Action buttons
- 6 Action buttons
- 7 Xbox Guide button + White indicator light
- 8 MODE button + Red/Green indicator light
- 9 Large threaded hole (for attachment system and fastening screw)
- 10 Attachment system
- 11 Metal fastening screw



- 12 Steering axis
- 13 Xbox Guide button + White indicator light
- 14 Power cable or Power supply connector
(varies from one country to another)
- 15 Racing wheel USB cable and connector
- 16 Gearbox connector
(gearbox sold separately)
- 17 Pedal set connector

WARNING

Before using this product, please read this manual carefully and save it for later reference.



Warning – Electrical shock

- * Keep the product in a dry location and do not expose it to dust or sunlight.
- * Do not twist or pull on the connectors and cables.
- * Do not spill any liquid on the product or its connectors.
- * Do not short-circuit the product.
- * Never dismantle the product; do not throw it onto a fire and do not expose it to high temperatures.
- * Do not use a power supply cable other than the one provided with your racing wheel.
- * Do not use the power supply cable if the cable or its connectors are damaged, split or broken.
- * Make sure that the power supply cable is properly plugged into an electrical outlet, and properly connected to the connector at the rear of the racing wheel's base.
- * Do not open up the racing wheel: there are no user-serviceable parts inside. Any repairs must be carried out by the manufacturer, its authorized representative or a qualified technician.
- * Only use attachment systems/accessories specified by the manufacturer.
- * If the racing wheel is operating abnormally (if it is emitting any abnormal sounds, heat or odors), stop using it immediately, unplug the power supply cable from the electrical outlet and disconnect the other cables.
- * If you will not be using the racing wheel for an extended period of time, unplug its power supply cable from the electrical outlet.
- * Only use the power supply provided with your racing wheel (in the event of an external power supply).
- * The power outlet shall be installed near the equipment and shall be easily accessible.



Air vents

Make sure not to block any of the air vents on the racing wheel's base. For optimal ventilation, make sure to do the following:

- * Position the wheel's base at least 10cm away from any wall surfaces.
- * Do not place the base in any tight spaces.
- * Do not cover the base.
- * Do not let any dust build up on the air vents.



For safety reasons, never use the pedal set with bare feet or while wearing only socks on your feet.

THRUSTMASTER® DISCLAIMS ALL RESPONSIBILITY IN THE EVENT OF INJURY RESULTING FROM USE OF THE PEDAL SET WITHOUT SHOES.



Warning – Injuries due to force feedback and repeated movements

Playing with a force feedback racing wheel may cause muscle or joint pain. To avoid any problems:

- * Avoid lengthy gaming periods.
- * Take 10 to 15 minute breaks after each hour of play.
- * If you feel any fatigue or pain in your hands, wrists, arms, feet or legs, stop playing and rest for a few hours before you start playing again.



Warning – Injuries due to force feedback and repeated movements (continued)

- * If the symptoms or pain indicated persist when you start playing again, stop playing and consult your doctor.
- * Keep out of children's reach.
- * During gameplay, always leave both hands correctly positioned on the wheel without completely letting go.
- * During gameplay, never place your hands or your fingers under the pedals or anywhere near the pedal set.
- * During calibration and gameplay, never place your hand or your arm through the openings in the racing wheel.
- * Make sure that the racing wheel's base is properly secured, as per this manual's instructions.

HEAVY PRODUCT



Product to be handled only by users
14 years of age or older



Be careful not to drop the product on
yourself or on anyone else!

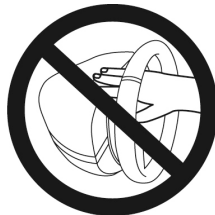
ALWAYS



NEVER



NEVER

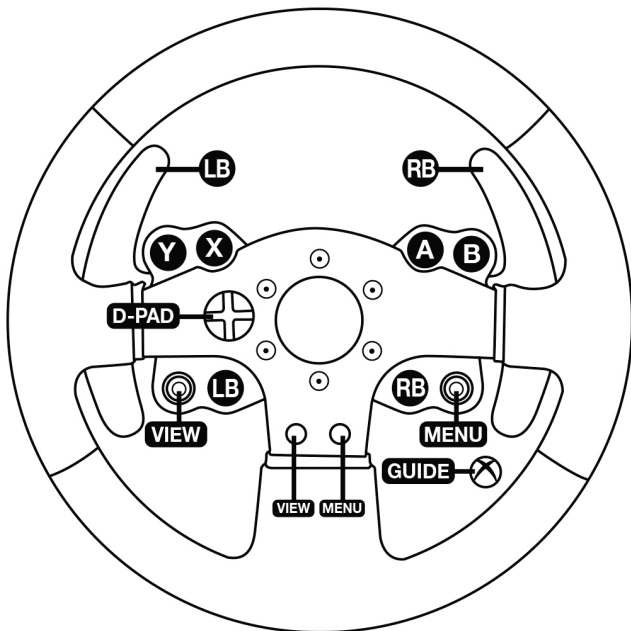


SETTING UP THE RACING WHEEL FOR XBOX ONE

1. Connect the pedal set to the connector (17) located at the back of the racing wheel's base.
2. Connect the power supply cable to the connector (14) located at the back of the racing wheel's base.
3. Plug the power supply cable into an electrical outlet with the same voltage specifications.
4. Connect the racing wheel's USB connector (15) to one of the console's USB ports.
5. Once your console is powered on, your racing wheel will calibrate itself automatically.
You are now ready to play!

- The list of Xbox One games compatible with the TMX Force Feedback is available at:
<http://ts.thrustmaster.com>
(in the Updates and Downloads section, click Xbox One / Wheels / TMX Force Feedback).
This list is updated regularly.

XBOX ONE MAPPING



SETTING UP THE RACING WHEEL FOR PC

1. Go to <http://ts.thrustmaster.com> to download the drivers and the force feedback software for PC. In the Updates and Downloads section, click PC / Wheels / TMX Force Feedback, then select Drivers.
2. Once the download is complete, launch the installation, and follow the on-screen instructions to connect the wheel's USB plug to your computer and complete the installation.
3. Once the installation is complete, click Finish and restart your computer.
4. Select Start / All Programs / Thrustmaster / FFB Racing Wheel / Control Panel to open the Game Controllers window.

The Game Controllers window displays the racing wheel's name Thrustmaster TMX Racing Wheel with the status OK.

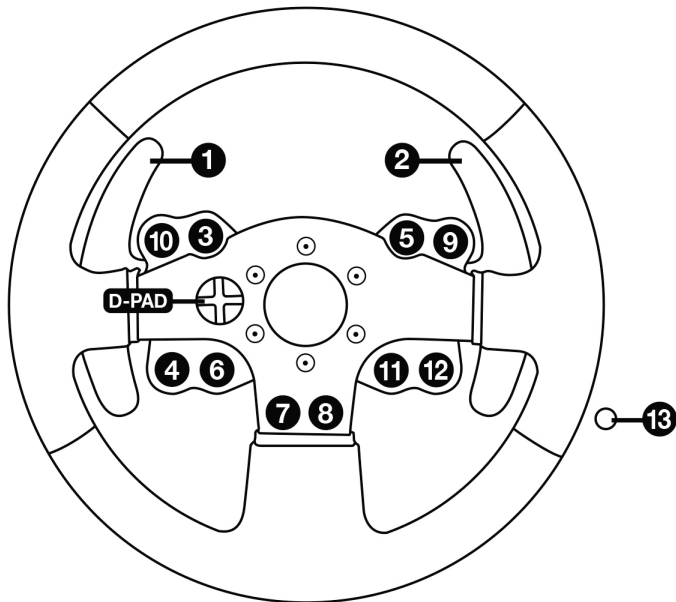
5. Click Properties to configure your wheel in the TMX control panel:
 - Test Input tab: allows to test and view the action buttons, directional buttons, wheel and pedals axes, and to adjust the wheel's rotation angle in your PC games.
 - Test Forces tab: allows to test 12 force feedback effects.
 - Gain Settings tab: allows to adjust the power of the force feedback effects in your PC games.

You are now ready to play!

General notes:

- On PC, click OK to close the Game Controllers window before launching the game.
- On PC, the adjustments made in the Game Controllers window will only be saved on your computer (hence they will have no effect on Xbox One).
- Your wheel's firmware version is displayed in the upper right-hand corner of the TMX Force Feedback control panel tabs.

PC MAPPING



ENGLISH

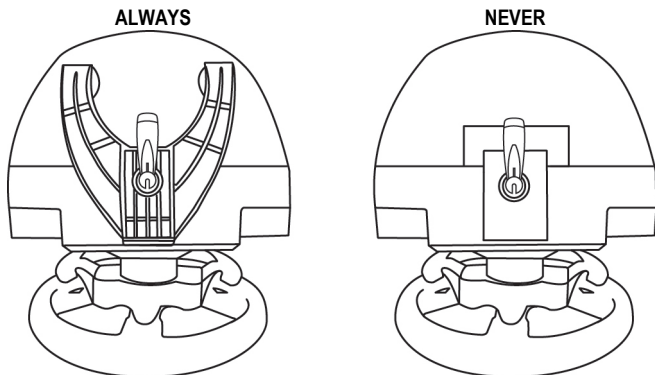
FRANÇAIS

ESPAÑOL

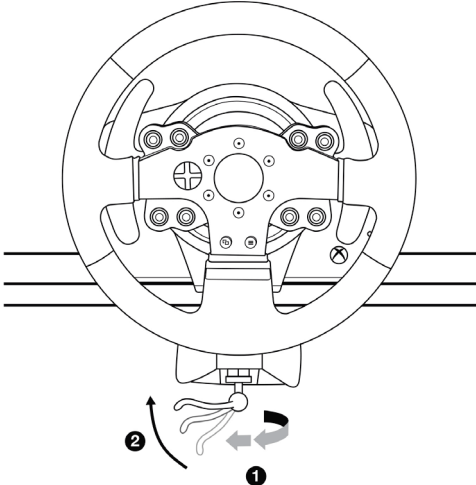
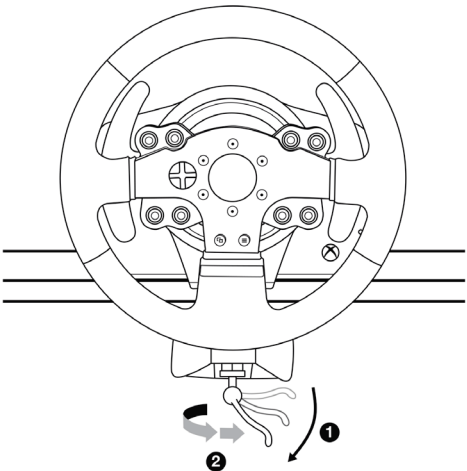
ATTACHING THE RACING WHEEL

Attaching the racing wheel to a table or a desktop

1. Place the racing wheel on a table or any other horizontal, flat and stable surface.
2. Insert the fastening screw (11) in the attachment system (10), then tighten the device by turning the screw counterclockwise, so that it feeds into the large threaded hole (9) located beneath the racing wheel, until the wheel is perfectly stable.



WARNING: Never tighten the screw alone, without the attachment system in place!
(This could damage the racing wheel.)

ATTACHMENT / REMOVAL	DIRECTION
<p><u>To tighten:</u></p> <p><i>Turn the screw anticlockwise</i></p>	
<p><u>To release:</u></p> <p><i>Turn the screw clockwise</i></p>	

AUTOMATIC RACING WHEEL CALIBRATION

The wheel automatically self-calibrates when you plug the racing wheel into an electrical outlet and connect the racing wheel's USB connector to the Xbox One.

During this phase, the racing wheel will rotate quickly towards the left and the right, covering a 900 degree angle, before stopping at the center.

WARNING: Never touch the racing wheel during the self-calibration phase!

(This could result in improper calibration and/or personal injuries.)

MODE BUTTON AND INDICATOR LIGHT (8)

MODE button for the pedal set

The MODE button allows you to electronically swap the accelerator and clutch pedals.

To do so, simply press the MODE button (8) for 2 seconds.

The racing wheel's internal memory stores whether the pedals have been swapped around or not.

GAS AND CLUTCH PEDALS	Color of the MODE indicator light (8)
NORMAL	RED
SWAPPED AROUND	GREEN



WARNING:

With the included T3PA pedal set, make sure that the indicator light remains red!
(or else the gas pedal will not function properly)

Other information regarding the MODE button

To learn more about the MODE button and indicator light, please visit <http://ts.thrustmaster.com>. In the **Updates and Downloads** section, click **Xbox One / Wheels / TMX Force Feedback**, then select **Manual/Help** file.

UPDATING YOUR RACING WHEEL'S FIRMWARE

The firmware included in your racing wheel's base can be updated to a more recent version featuring product enhancements.

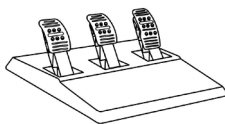
To display the firmware version that your racing wheel is currently using and update it if required: on PC, visit <http://ts.thrustmaster.com>. In the **Updates and Downloads** section, click **Xbox One / Wheels / TMX Force Feedback**, then select **Driver/Firmware** and follow the instructions describing the download and installation procedure.

HELP FILES AND FAQs (NOT INCLUDED IN THIS MANUAL)

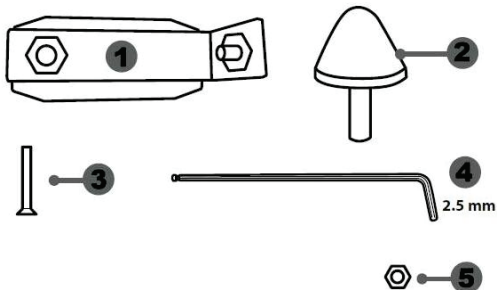
Please visit <http://ts.thrustmaster.com>, and in the **Updates and Downloads** section, click **Xbox One / Wheels / TMX Force Feedback**, then select **Manual/Help** file.

If your racing wheel and/or pedal set do not function correctly, or if they seem to be improperly calibrated:

Power off your console or PC and completely disconnect the racing wheel. Then reconnect all cables (including the power supply cable and the pedal set), and restart your console or PC and your game.



TECHNICAL FEATURES



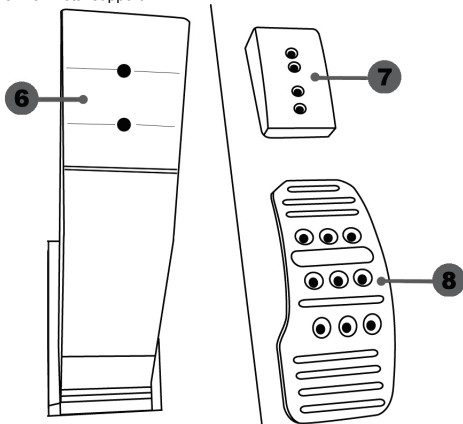
1 Metal support for conical stop
(not installed by default)

2 Conical stop

3 Attachment screw for metal support

4 2.5 mm Allen key (included)

5 Position adjustment nut for conical stop



6 Pedal arm

7 Plastic head support

8 Metal pedal head

WARNING



For safety reasons, never use the pedal set with bare feet or while wearing only socks on your feet.

THRUSTMASTER® DISCLAIMS ALL RESPONSIBILITY IN THE EVENT OF INJURY RESULTING FROM USE OF THE PEDAL SET WITHOUT SHOES.



Warning – Pedal set pinching hazard during gaming sessions

- * Keep the pedal set out of the reach of children.
- * During gaming sessions, never place your fingers or thumbs on or near the sides of the pedals.
- * During gaming sessions, never place your fingers or thumbs on or near the rear base of the pedals.
- * During gaming sessions, never place your fingers or thumbs on or near the front base of the pedals.

NEVER



NEVER



NEVER



AUTOMATIC CALIBRATION OF PEDALS



IMPORTANT:

- Never connect or disconnect the pedal set from the base of the wheel when the wheel is connected to the console or PC, or during gaming sessions, to avoid calibration problems.
- = Always connect the pedal set to the wheel before connecting the wheel to the console or PC.

- Once the wheel has self-calibrated and the game has started, the pedals automatically calibrate themselves after being pressed a few times.

- Never press on the pedals when the wheel is self-calibrating or when your game is starting up, to avoid calibration problems.

- If the pedals are not functioning correctly or appear to be improperly calibrated, power off your console, completely disconnect your wheel, then reconnect all of the cables (including the power supply cable and the pedal set cable), power the console back on and restart your game.

ATTACHING THE PEDAL SET TO A COCKPIT

- Attach the pedal set using the small screw threads located on the underside of the pedal set.
- Screw two M6 screws (not included) into the cockpit's pedal support plate and into the two small screw threads located on the underside of the pedal set.

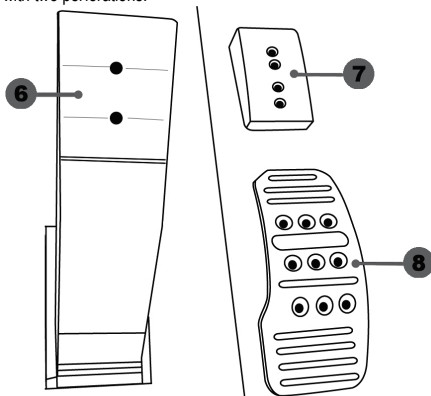
Important: The length of the two M6 screws must not exceed the thickness of the cockpit's pedal support plate plus an additional 10 mm, to avoid damaging the pedal set's internal components.

*Layout diagrams for cockpits are available at <http://ts.thrustmaster.com>; in the **Updates and Downloads** section, click **Xbox One / Wheels / TMX Force Feedback**, then select **Manual/Help file**.*

ADJUSTING THE PEDAL SET

Each of the three pedals includes:

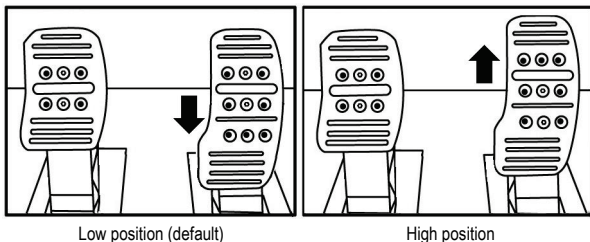
- A metal head (8) with multiple perforations (nine for the accelerator – six for the brake – six for the clutch).
- A plastic head support (7) (placed between the head and the arm) with four perforations.
- A pedal arm (6) with two perforations.



ATTENTION: To avoid any calibration problems, be sure to always disconnect your wheel's USB cable from the console or PC before making any adjustments to your pedal set.

Adjusting the HEIGHT of the accelerator pedal

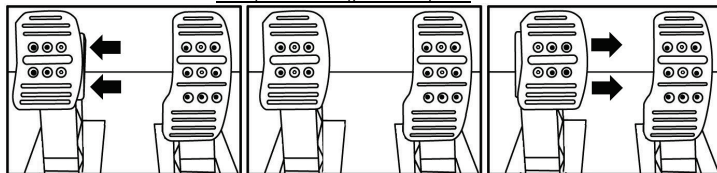
- Using the included 2.5 mm Allen key (4), unscrew the two screws holding the metal head (8) and its support (7) in place.
- Select your preferred height position, then replace and re-tighten the screws so that the metal head (8) and its support (7) are held firmly in place.



Adjusting the SPACING of the three pedals

- Using the included 2.5 mm Allen key (4), unscrew the two screws holding the metal head (8) and its support (7) in place.
- Select your preferred position (to the left, centered, or to the right), then replace and re-tighten the screws so that the metal head (8) and its support (7) are held firmly in place.

Examples illustrating the brake pedal:



Left position

Centered position (default)

Right position

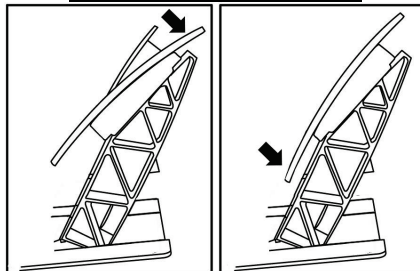
Number of possible spacing positions per pedal:

- Three for accelerator pedal
- Three for brake pedal
- Three for clutch pedal

Adjusting the INCLINATION of the pedals

- Using the included 2.5 mm Allen key (4), unscrew the two screws holding the metal head (8) and its support (7) in place.
- Turn the plastic head support (7) 180°, then replace and re-tighten the screws so that the metal head (8) and its support (7) are held firmly in place.

Examples illustrating the accelerator pedal:



Less inclined position

More inclined position (default)

Number of possible inclination positions per pedal:

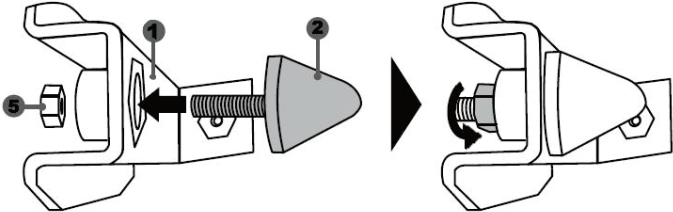
- Two for accelerator pedal
- Two for brake pedal
- Two for clutch pedal

Installing the conical stop (“CONICAL RUBBER BRAKE” mod)

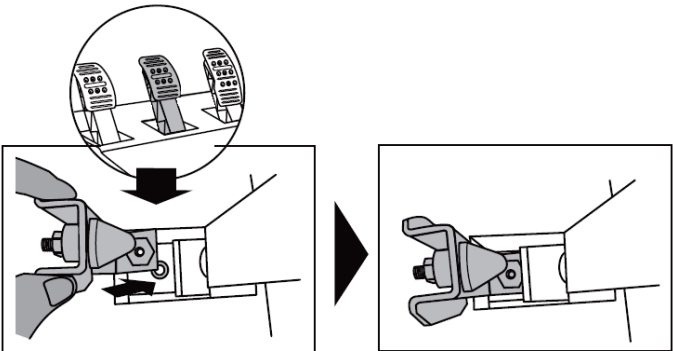
This modification (or “mod”) is not essential, and is not installed by default. This means that the brake pedal functions perfectly even if the mod is not installed.

This mod lets you experience a different feeling and resistance when braking. It’s up to you whether or not to install it, depending on your own preferences.

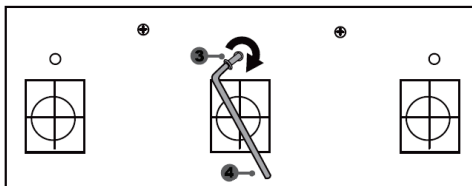
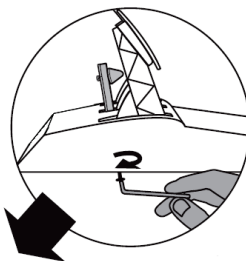
- Screw the conical stop (2) onto its metal support (1).
- Screw the position adjustment nut (5) onto the bottom (onto the conical stop’s screw thread).



- Position the unit at the back of the brake pedal’s arm.



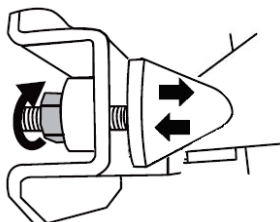
- Using the included 2.5 mm Allen key (4), attach the unit using the attachment screw (3) and the small central screw thread located on the underside of the pedal set.



The "CONICAL RUBBER BRAKE" mod is now installed!

Adjusting the brake pedal's RANGE of travel and STRENGTH of resistance

By slightly unscrewing the nut (5), you can further strengthen the resistance of the brake pedal by moving the conical stop (2) closer to the back of the pedal's arm (if necessary, use a 14 mm wrench or pliers to re-tighten the nut and maintain the selected position). The closer the conical stop is positioned to the back of the pedal's arm, the greater the strength of resistance will be.



Note: When the conical stop is very close to the back of the brake pedal's arm, you may experience difficulties in reaching the maximum calibration value. Should that be the case:

- * Slowly, press very hard on the brake pedal so as to reach the maximum value (if necessary, stand very briefly on the pedal – just for a second), then release the pressure; or else
- * Move the conical stop a bit farther away from the back of the brake pedal's arm.

Consumer warranty information

Worldwide, Guillemot Corporation S.A., whose registered office is located at Place du Granier, B.P. 97143, 35571 Chantepie, France (hereinafter "Guillemot") warrants to the consumer that this Thrustmaster product shall be free from defects in materials and workmanship, for a warranty period which corresponds to the time limit to bring an action for conformity with respect to this product. In the countries of the European Union, this corresponds to a period of two (2) years from delivery of the Thrustmaster product. In other countries, the warranty period corresponds to the time limit to bring an action for conformity with respect to the Thrustmaster product according to applicable laws of the country in which the consumer was domiciled on the date of purchase of the Thrustmaster product (if no such action exists in the corresponding country, then the warranty period shall be one (1) year from the original date of purchase of the Thrustmaster product).

Notwithstanding the above, rechargeable batteries are covered by a warranty period of six (6) months from the date of original purchase.

Should the product appear to be defective during the warranty period, immediately contact Technical Support, who will indicate the procedure to follow. If the defect is confirmed, the product must be returned to its place of purchase (or any other location indicated by Technical Support).

Within the context of this warranty, the consumer's defective product shall, at Technical Support's option, be either replaced or returned to working order. If, during the warranty period, the Thrustmaster product is subject to such reconditioning, any period of at least seven (7) days during which the product is out of use shall be added to the remaining warranty period (this period runs from the date of the consumer's request for intervention or from the date on which the product in question is made available for reconditioning, if the date on which the product is made available for reconditioning is subsequent to the date of the request for intervention). If permitted under applicable law, the full liability of Guillemot and its subsidiaries (including for consequential damages) is limited to the return to working order or the replacement of the Thrustmaster product. If permitted under applicable law, Guillemot disclaims all warranties of merchantability or fitness for a particular purpose.

This warranty shall not apply: (1) if the product has been modified, opened, altered, or has suffered damage as a result of inappropriate or abusive use, negligence, an accident, normal wear, or any other cause unrelated to a material or manufacturing defect (including, but not limited to, combining the Thrustmaster product with any unsuitable element, including in particular power supplies, rechargeable batteries, chargers, or any other elements not supplied by Guillemot for this product); (2) if the product has been used for any use other than home use, including for professional or commercial purposes (game rooms, training, competitions, for example); (3) in the event of failure to comply with the instructions provided by Technical Support; (4) to software, said software being subject to a specific warranty; (5) to consumables (elements to be replaced over the product's lifespan: disposable batteries, audio headset or headphone ear pads, for example); (6) to accessories (cables, cases, pouches, bags, wrist-straps, for example); (7) if the product was sold at public auction.

This warranty is nontransferable.

The consumer's legal rights with respect to laws applicable to the sale of consumer goods in his or her country are not affected by this warranty.

Additional warranty provisions

During the warranty period, Guillemot shall not provide, in principle, any spare parts, as Technical Support is the only party authorized to open and/or recondition any Thrustmaster product (with the exception of any reconditioning procedures which Technical Support may request that the consumer carry out, by way of written instructions – for example, due to the simplicity and the lack of confidentiality of the reconditioning process – and by providing the consumer with the required spare part(s), where applicable).

Given its innovation cycles and in order to protect its know-how and trade secrets, Guillemot shall not provide, in principle, any reconditioning notification or spare parts for any Thrustmaster product whose warranty period has expired.

In the United States of America and in Canada, this warranty is limited to the product's internal mechanism and external housing. In no event shall Guillemot or its affiliates be held liable to any third party for any consequential or incidental damages resulting from the breach of any express or implied warranties. Some States/Provinces do not allow limitation on how long an implied warranty lasts or exclusion or limitation of liability for consequential or incidental damages, so the above limitations or exclusions may not apply to you. This warranty gives you specific legal rights, and you may also have other rights which vary from State to State or Province to Province.

Liability

If permitted under applicable law, Guillemot Corporation S.A. (hereinafter "Guillemot") and its subsidiaries disclaim all liability for any damages caused by one or more of the following: (1) the product has been modified, opened or altered; (2) failure to comply with assembly instructions; (3) inappropriate or abusive use, negligence, an accident (an impact, for example); (4) normal wear; (5) the use of the product for any use other than home use, including for professional or commercial purposes (game rooms, training, competitions, for example). If permitted under applicable law, Guillemot and its subsidiaries disclaim all liability for any damages unrelated to a material or manufacturing defect with respect to the product (including, but not limited to, any damages caused directly or indirectly by any software, or by combining the Thrustmaster product with any unsuitable element, including in particular power supplies, rechargeable batteries, chargers, or any other elements not supplied by Guillemot for this product).

FCC STATEMENT

1. This device complies with Part 15 of the FCC Rules. Operation is subject to the following two conditions:
 - (1) This device may not cause harmful interference, and
 - (2) This device must accept any interference received, including interference that may cause undesired operation.
2. Changes or modifications not expressly approved by the party responsible for compliance could void the user's authority to operate the equipment.

COPYRIGHT

© 2016 Guillemot Corporation S.A. All rights reserved. Thrustmaster® is a registered trademark of Guillemot Corporation S.A. All other trademarks are the property of their respective owners. Illustrations not binding. Contents, designs and specifications are subject to change without notice and may vary from one country to another. Made in China.

ENVIRONMENTAL PROTECTION RECOMMENDATION



At the end of its working life, this product should not be disposed of with standard household waste, but rather dropped off at a collection point for the disposal of Waste Electrical and Electronic Equipment (WEEE) for recycling.

This is confirmed by the symbol found on the product, user manual or packaging. Depending on their characteristics, the materials may be recycled. Through recycling and other forms of processing Waste Electrical and Electronic Equipment, you can make a significant contribution towards helping to protect the environment.

Please contact your local authorities for information on the collection point nearest you.

Retain this information. Colors and decorations may vary.

This product conforms to all standards regarding children 14 years of age and older. This product is not suitable for use by children less than 14 years of age.

www.thrustmaster.com





THRUSTMASTER®
TECHNICAL SUPPORT
<http://ts.thrustmaster.com>

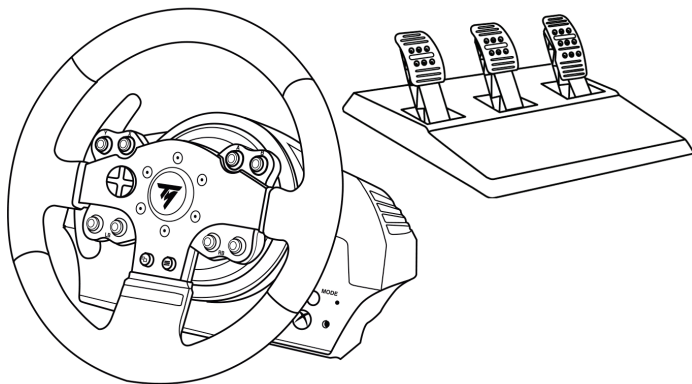
  

TMX PRO

FORCE FEEDBACK / RETOUR DE FORCE

POUR XBOX ONE® ET PC

Manuel de l'utilisateur



ATTENTION :

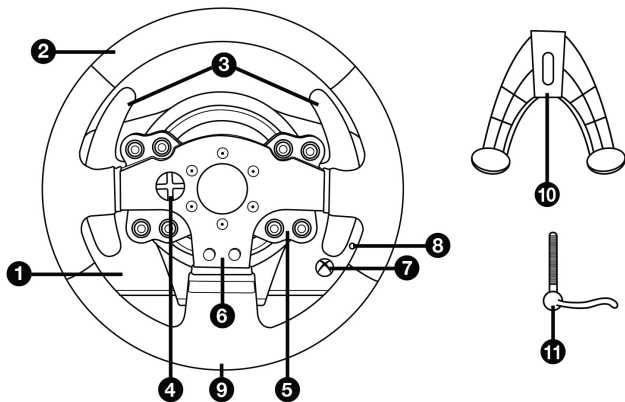
Pour que le volant TMX fonctionne correctement avec les jeux Xbox One ou PC, il peut être nécessaire d'installer les mises à jour automatiques de ces jeux (disponibles lorsque votre console ou votre PC est connectée à Internet).

ENGLISH

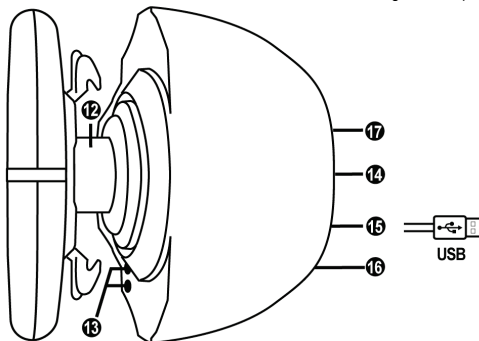
FRANÇAIS

ESPAÑOL

CARACTÉRISTIQUES TECHNIQUES



- | | |
|---|--|
| <ul style="list-style-type: none"> 1 Base TMX 2 Roue du volant 3 2 leviers séquentiels de changement de vitesse (up & down) 4 Croix multidirectionnelle 5 Boutons d'action 6 Boutons d'action | <ul style="list-style-type: none"> 7 Bouton Xbox Guide et voyant lumineux blanc 8 Bouton MODE + Voyant lumineux rouge/vert 9 Gros pas de vis (pour le système de fixation et la vis de serrage) 10 Système de fixation 11 Vis de serrage métallique |
|---|--|



- | | |
|--|---|
| <ul style="list-style-type: none"> 12 Axe de direction 13 Bouton Xbox Guide et voyant lumineux blanc 14 Câble secteur ou Connecteur pour l'adaptateur secteur (diffère d'un pays à l'autre) | <ul style="list-style-type: none"> 15 Câble et connecteur USB du volant 16 Connecteur pour la boîte de vitesses (boîte de vitesses vendue séparément) 17 Connecteur pour le pédalier |
|--|---|

AVERTISSEMENTS

Avant d'utiliser ce produit, lisez attentivement cette documentation et conservez-la pour pouvoir la consulter ultérieurement.



Avertissement – Choc électrique

- * Conservez le produit dans un endroit sec et ne l'exposez ni à la poussière ni au soleil.
- * Ne tordez pas et ne tirez pas sur les connecteurs et câbles.
- * Ne renversez pas de liquide sur le produit et ses connecteurs.
- * Ne mettez pas le produit en court-circuit.
- * Ne démontez jamais le produit, ne le jetez pas au feu et ne l'exposez pas à des températures élevées.
- * N'utilisez pas de câble d'alimentation autre que celui fourni avec votre volant.
- * N'utilisez pas le câble d'alimentation secteur si celui-ci où ses connecteurs sont endommagés, fendus ou cassés.
- * Assurez-vous que le câble d'alimentation secteur est parfaitement inséré dans la prise murale et dans son connecteur situé à l'arrière de la base du volant.
- * N'ouvrez pas l'appareil. L'appareil ne contient pas de pièces réparables par l'utilisateur. Confiez toute réparation au fabricant, à une agence spécifiée ou un technicien qualifié.
- * Utilisez uniquement les systèmes de fixation /accessoires spécifiés par le fabricant.
- * Si le volant fonctionne de manière anormale (s'il émet des sons, de la chaleur ou des odeurs anormales), arrêtez immédiatement de l'utiliser, débranchez le câble d'alimentation de la prise électrique et déconnectez les autres câbles.
- * Lorsque vous n'utilisez pas le volant pendant une période prolongée, débranchez le câble d'alimentation secteur de la prise électrique.
- * Utilisez uniquement l'alimentation fournie avec le volant (s'il s'agit d'une alimentation externe).



Grilles d'aération

Veillez à n'obstruer aucune grille d'aération de la base du volant. Pour assurer une ventilation optimale, respectez les points ci-après :

- * Placez la base à 10 cm au moins d'une surface murale.
- * Ne placez pas la base dans un endroit exigü.
- * Ne couvrez pas la base.
- * Ne laissez pas la poussière s'accumuler sur les grilles d'aération.



Pour des raisons de sécurité, ne jouez pas pieds nus ou en chaussettes lorsque vous utilisez le pédalier.

THRUSTMASTER® DECLINE TOUTE RESPONSABILITE EN CAS DE BLESSURE SUITE A UNE UTILISATION DU PEDALIER SANS CHAUSSURES.



Avertissement – Blessures dues au retour de force et aux mouvements répétitifs

Jouer avec un volant à retour de force peut causer des douleurs aux muscles et aux articulations. Afin d'éviter tout problème :

- * Evitez les périodes trop longues de jeu.
- * Faites une pause de 10 à 15 minutes après chaque heure de jeu.
- * Si vous éprouvez fatigue ou douleur au niveau des mains, des poignets, des bras, des pieds ou des jambes, cessez de jouer et reposez-vous pendant quelques heures avant de recommencer à jouer.



Avertissement – Blessures dues au retour de force et aux mouvements répétitifs (suite)

* Si les symptômes ou les douleurs indiqués ci-dessus persistent lorsque vous reprenez le jeu, arrêtez de jouer et consultez votre médecin.

* Laissez hors de portée des enfants.

* Lors des phases de jeu, laissez toujours vos deux mains correctement positionnées sur le volant sans jamais le lâcher complètement.

* Lors des phases de jeu, ne placez jamais vos mains ou vos doigts sous les pédales ou à proximité du pédalier.

* Lors des phases de calibration et de jeu, ne jamais introduire une main ou un bras à l'intérieur de la roue du volant.

* Vérifiez que la base du volant est correctement fixée, conformément aux instructions du manuel.

PRODUIT LOURD



Produit à manipuler uniquement par des personnes âgées de 14 ans ou plus



Ne pas laisser tomber le produit sur vous ou une autre personne

TOUJOURS



JAMAIS



JAMAIS



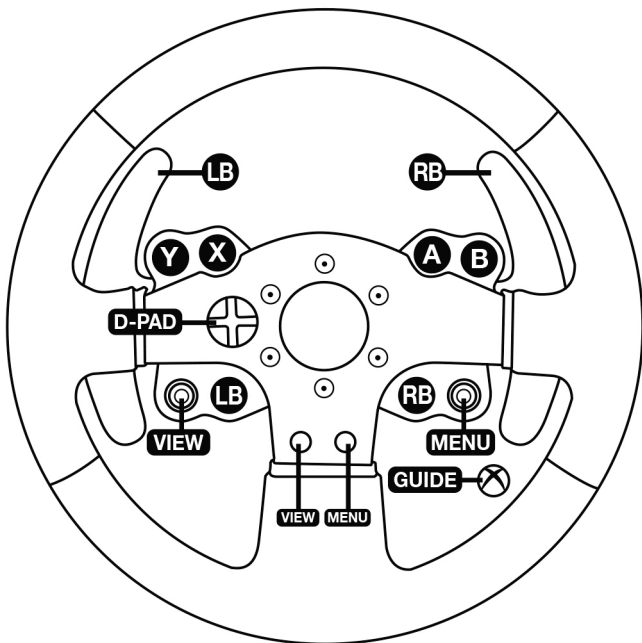
INSTALLATION SUR XBOX ONE

1. Reliez le pédalier à son connecteur (17) situé à l'arrière de la base du volant.
2. Reliez le câble d'alimentation à son connecteur (14) situé à l'arrière de la base du volant.
3. Reliez le câble d'alimentation sur une prise de courant ayant le même voltage.
4. Branchez le connecteur USB (15) du volant sur l'un des ports USB de la console.
5. Une fois votre console allumée, votre volant s'autocalibre de manière automatique.

Vous êtes maintenant prêt à jouer !

- La liste des jeux Xbox One compatibles avec le TMX Force Feedback est disponible ici : <http://ts.thrustmaster.com> (dans la rubrique Xbox One / Volants / TMX Force Feedback). Cette liste est régulièrement mise à jour.

MAPPING XBOX ONE



INSTALLATION SUR PC

1. Allez sur <http://ts.thrustmaster.com> pour télécharger les pilotes et le logiciel Force Feedback pour PC. Dans la section Mise à jour et téléchargement, cliquez sur PC / Volants / TMX Force Feedback, puis Pilotes.

2. Une fois le téléchargement terminé, lancez l'installation, puis suivez les instructions affichées à l'écran pour brancher le connecteur USB du volant sur votre PC et pour terminer l'installation.

3. Une fois l'installation terminée, cliquez sur Terminer et redémarrez votre ordinateur.

4. Sélectionnez Démarrer / Tous les programmes / Thrustmaster / FFB Racing Wheel / Panneau de configuration pour ouvrir la fenêtre Contrôleurs de jeu.

La fenêtre Contrôleurs de jeu affiche le nom du volant Thrustmaster TMX Racing Wheel avec l'état OK.

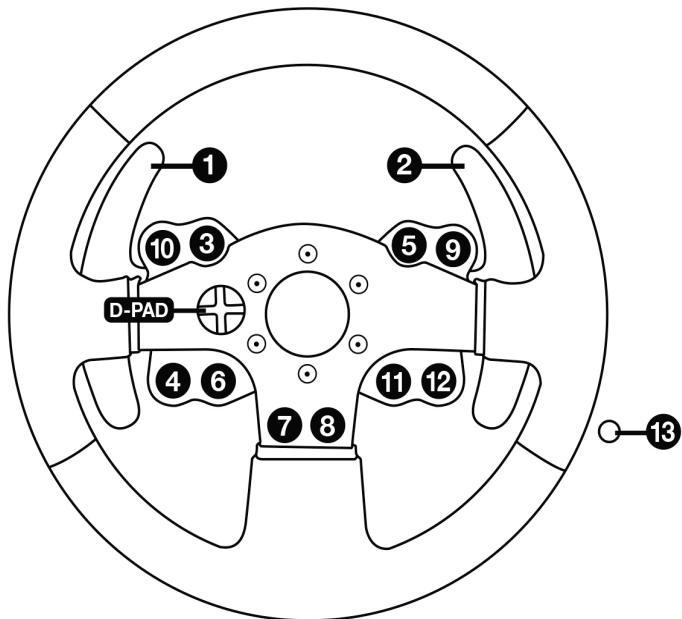
5. Cliquez sur Propriétés pour configurer votre volant dans le panneau de configuration du TMX :

- Onglet Test du périphérique : permet de tester et visualiser les boutons, la croix multidirectionnelle, les axes du volant et du pédalier, et d'ajuster l'angle de rotation du volant dans vos jeux PC.
- Onglet Tester les forces : permet de tester 12 effets de retour de force.
- Onglet Ajuster les forces : permet d'ajuster la puissance des effets de retour de force dans vos jeux PC.

Vous êtes maintenant prêt à jouer !

Remarques générales :

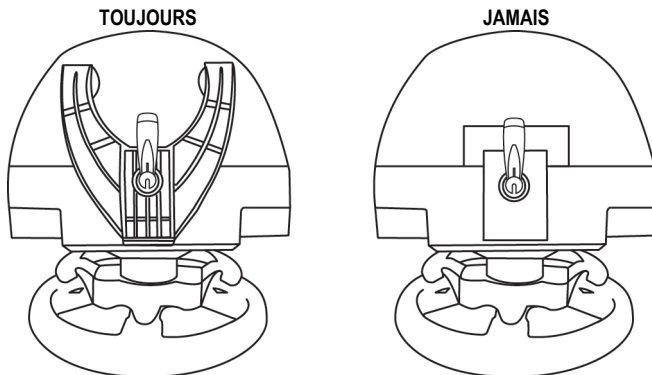
- Sur PC, pensez à toujours fermer complètement la fenêtre Contrôleurs de jeu en cliquant sur OK avant de lancer votre jeu.
- Sur PC, les réglages et ajustements effectués dans la fenêtre Contrôleurs de jeu ne seront sauvegardés que sur votre PC (et n'auront donc aucune incidence sur Xbox One).
- La version du firmware de votre volant apparaît en haut à droite dans les onglets du panneau de configuration TMX Force Feedback.



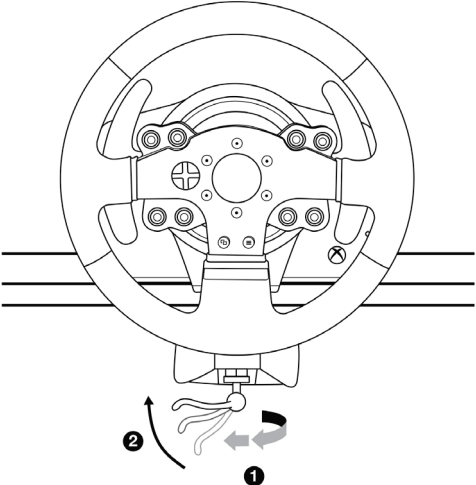
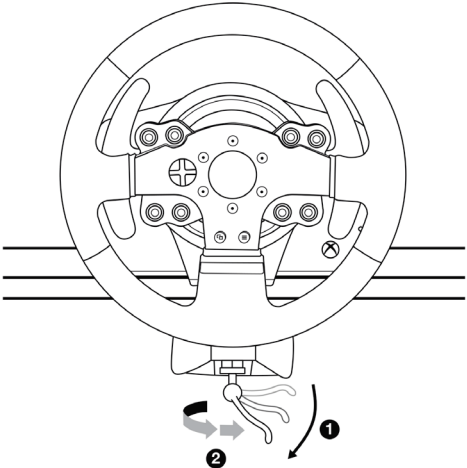
FIXATION DU VOLANT

Fixer le volant sur une table ou un bureau

1. Placez le volant sur une table ou autre surface plane.
2. Placez la vis de serrage (11) dans le système de fixation (10), puis vissez l'ensemble (dans le sens inverse des aiguilles d'une montre) dans le gros pas de vis (9) situé sous le volant, jusqu'à ce que ce dernier soit parfaitement stable.



ATTENTION : Ne jamais visser la vis de serrage seule sans le système de fixation !
(au risque de détériorer le volant).

MONTAGE / DEMONTAGE	SENS
<p><u>Pour serrer :</u></p> <p><i>Vissez dans le sens inverse des aiguilles d'une montre</i></p>	
<p><u>Pour desserrer :</u></p> <p><i>Dévissez dans le sens des aiguilles d'une montre</i></p>	

CALIBRAGE AUTOMATIQUE DU VOLANT

La roue du volant s'autocalibre de manière automatique une fois le volant relié au secteur et le connecteur USB connecté à la console Xbox One.

Cette opération entraîne des mouvements rapides du volant de gauche à droite sur 900° avant de s'immobiliser au centre.

ATTENTION : Lors des phases d'autocalibration de la roue du volant, ne jamais toucher au volant (au risque de fausser la calibration ou de se blesser).

BOUTON MODE ET SON VOYANT LUMINEUX (8)

Bouton MODE pour le pédalier

Vous pouvez inverser électroniquement la pédale d'accélérateur et d'embrayage.

Pour ce faire, appuyez simplement sur le bouton MODE (8) pendant 2 secondes.

L'inversion ou non des pédales est alors instantanément enregistrée dans la mémoire interne du volant.

PEDALE D'ACCELERATEUR ET D'EMBRAYAGE	Couleur du voyant lumineux MODE (8)
NORMALE	ROUGE
INVERSEE	VERT



ATTENTION :

Avec le pédalier T3PA inclus, la couleur du voyant lumineux doit toujours être rouge !
(sinon la pédale d'accélérateur ne fonctionnera pas).

Autres astuces pour le bouton MODE

Pour profiter d'autres astuces concernant le bouton MODE et son voyant lumineux, allez sur <http://ts.thrustmaster.com>. Dans la section **Mise à jour et téléchargement**, cliquez sur **Xbox One / Volant / TMX Force Feedback**, puis **Manuel / Fichier Aide**.

METTRE A JOUR LE FIRMWARE DU VOLANT

Le firmware inclus dans la base du volant peut être mis à jour (ce qui signifie qu'il peut être mis à jour par des versions plus récentes comportant des améliorations produits).

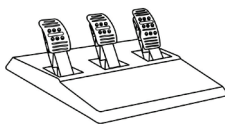
Pour afficher la version de firmware de votre volant et le mettre à jour si nécessaire : sur PC, allez sur <http://ts.thrustmaster.com>, dans la section **Mise à jour et téléchargement**, cliquez sur **Xbox One / Volant / TMX Force Feedback** puis **Pilote/Firmware** et suivez les instructions et la procédure de téléchargement et d'installation.

AIDES & FAQ DIVERSES (non notifiées dans ce manuel)

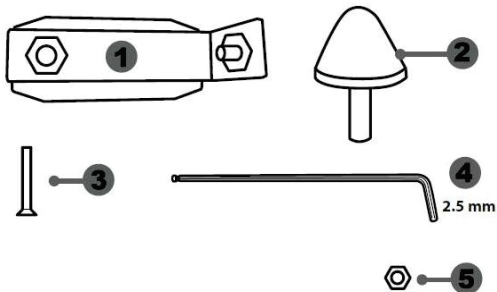
Allez sur <http://ts.thrustmaster.com>. Dans la section **Mise à jour et téléchargement**, cliquez sur **Xbox One / Volant / TMX Force Feedback** puis **Manuel / Fichier Aide**.

Si votre volant et vos pédales ne fonctionnent pas correctement ou semblent mal calibrés :

Eteignez votre console ou votre PC, déconnectez entièrement votre volant, reconnectez tous les câbles (avec le câble d'alimentation secteur et le pédalier), redémarrez et relancez votre jeu.



CARACTERISTIQUES TECHNIQUES



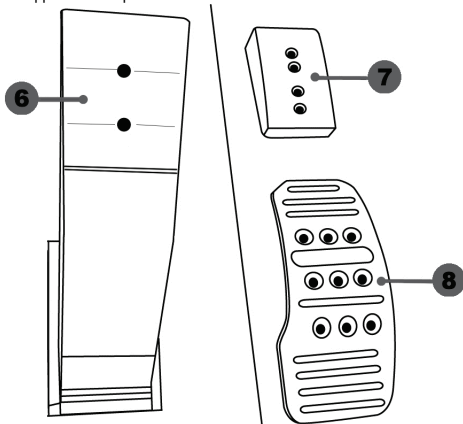
1 Support métallique pour la butée conique
(non installée par défaut)

2 Butée conique

3 Vis de fixation du support métallique

4 Clé Allen 2,5 mm fournie

5 Ecrou de réglage de position de la butée conique



6 Bras de pédale

7 Support de tête plastique

8 Tête métallique de pédale

AVERTISSEMENT



Pour des raisons de sécurité, ne jouez pas pieds nus ou en chaussettes lorsque vous utilisez le pédalier.

THRUSTMASTER® DECLINE TOUTE RESPONSABILITE EN CAS DE BLESSURE SUITE A UNE UTILISATION DU PEDALIER SANS CHAUSSURES.



Avertissement – Risque de pincement au niveau du pédalier lors des phases de jeu

- * Laissez le pédalier hors de portée des enfants.
- * Lors des phases de jeu, ne placez jamais vos doigts sur ou à proximité des côtés des pédales.
- * Lors des phases de jeu, ne placez jamais vos doigts sur ou à proximité de la base arrière des pédales.
- * Lors des phases de jeu, ne placez jamais vos doigts sur ou à proximité de la base avant des pédales.

JAMAIS



JAMAIS



JAMAIS



CALIBRAGE AUTOMATIQUE DES PEDALES



IMPORTANT :

- Ne branchez ou débranchez jamais le pédalier de la base du volant lorsque celui-ci est connecté à la console ou au PC, ou en cours de jeu, pour ne pas fausser la calibration.
- = Branchez toujours le pédalier avant de relier le volant à la console ou au PC.

- Une fois le volant autocalibré et le jeu lancé, les pédales se calibrent automatiquement après quelques pressions.

- Lors des phases d'autocalibration de la roue du volant et lorsque votre jeu se lance, n'appuyez jamais sur les pédales, au risque de fausser la calibration.

- Si vos pédales ne fonctionnent pas correctement ou semblent mal calibrées, éteignez votre console, déconnectez entièrement votre volant, reconnectez tous les câbles (y compris le câble d'alimentation secteur et le câble du pédalier), redémarrez la console et relancez votre jeu.

FIXATION DU PEDALIER SUR UN COCKPIT

- Fixez le pédalier via les petits pas de vis situés sous ce dernier.
- Vissez 2 vis M6 (non fournies) dans la tablette du cockpit et dans les 2 petits pas de vis situés sous le pédalier.

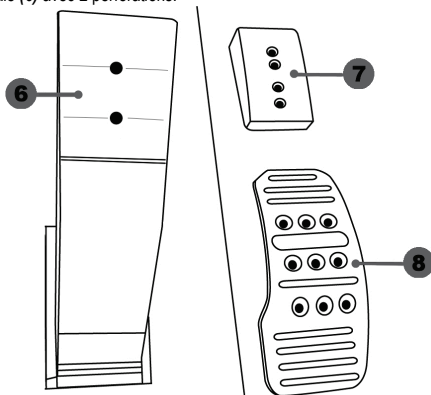
Important : La longueur de ces 2 vis M6 ne doit pas dépasser l'épaisseur de votre support +10 mm pour ne pas endommager les composants internes du pédalier.

Plan d'implantation pour les cockpits disponible sur <http://ts.thrustmaster.com>, (dans la rubrique Xbox One / Volants / TMX Force Feedback / Manuel – Fichier Aide)

REGLAGES DU PEDALIER

Chacune des 3 pédales comprend :

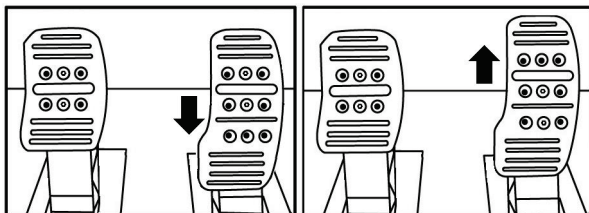
- Une tête métallique (8) avec plusieurs perforations (9 pour l'accélérateur – 6 pour le frein – 6 pour l'embrayage).
- Un support de tête plastique (7) (placé entre la tête et le bras) avec 4 perforations.
- Un bras de pédale (6) avec 2 perforations.



ATTENTION : Pour éviter tout problème de calibration, débranchez toujours le câble USB de votre volant avant d'effectuer des réglages sur votre pédalier.

Ajuster la HAUTEUR de la pédale d'accélérateur

- A l'aide de la clé Allen 2,5 mm fournie (4), dévissez les 2 vis maintenant la tête métallique (8) et son support (7).
- Choisissez ensuite votre position en hauteur, puis revissez le tout.



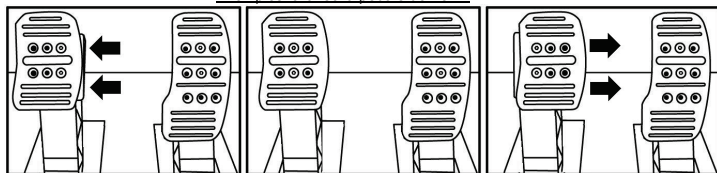
Position basse (par défaut)

Position haute

Ajuster l'ECARTEMENT des 3 pédales

- A l'aide de la clé Allen 2,5 mm fournie (4), dévissez les 2 vis maintenant la tête métallique (8) et son support (7).
- Choisissez ensuite votre position (à gauche, au centre ou à droite), puis revissez le tout.

Exemples ici avec la pédale de frein :



Position à gauche

Position au centre (par défaut)

Position à droite

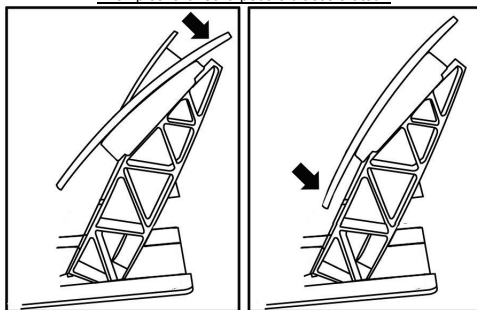
Nombre de positions en écartement possibles par pédale :

- 3 pour la pédale d'accélérateur
- 3 pour la pédale de frein
- 3 pour la pédale d'embrayage

Ajuster l'INCLINAISON des pédales

- A l'aide de la clé Allen 2,5 mm fournie (4), dévissez les 2 vis maintenant la tête métallique (8) et son support (7).
- Retournez ensuite le support de tête plastique (7) de 180°, puis revissez le tout.

Exemples ici avec la pédale d'accélérateur :



Position moins inclinée

Position plus inclinée (par défaut)

Nombre de positions d'inclinaison possibles par pédale :

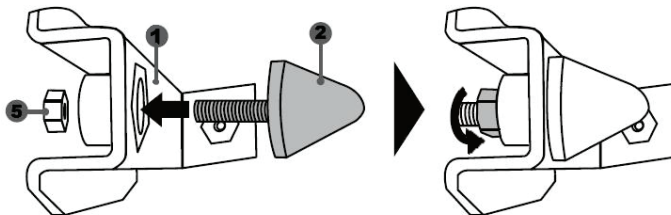
- 2 pour la pédale d'accélérateur
- 2 pour la pédale de frein
- 2 pour la pédale d'embrayage

Installer la butée conique (MOD « CONICAL RUBBER BRAKE »)

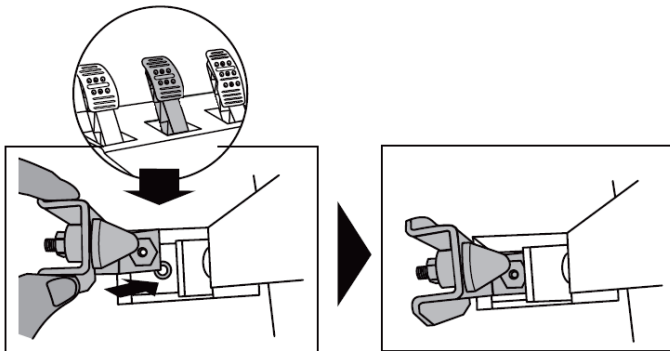
Ce MOD n'est pas obligatoire et n'est pas installé par défaut. Cela signifie que la pédale de frein fonctionne parfaitement même si le MOD n'est pas installé.

Ce MOD permet d'apporter un feeling et une résistance différents lors des freinages. Il appartient à chacun de l'installer ou non en fonction de ses préférences.

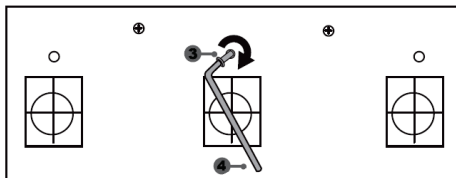
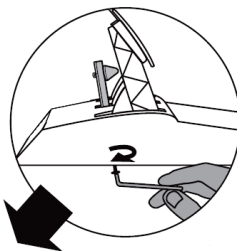
- Vissez la butée conique (2) sur son support métallique (1).
- Vissez l'écrou de réglage de position (5) à l'arrière (sur le pas de vis de la butée conique).



- Positionnez l'ensemble à l'arrière du bras de la pédale de frein.



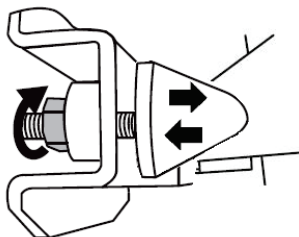
- A l'aide de la clé Allen 2,5 mm fournie (4), fixez l'ensemble en utilisant la vis de fixation (3) et le petit pas de vis central situé sous le pédalier.



Le MOD « CONICAL RUBBER BRAKE » est désormais installé !

Ajuster la COURSE de débattement et la FORCE de résistance de la pédale de frein

En dévissant légèrement l'écrou (5), vous pouvez également durcir davantage la résistance de la pédale de frein en rapprochant la butée conique (2) de l'arrière du bras de la pédale (utilisez si nécessaire une clé de 14 ou une pince pour resserrer l'écrou et maintenir la position souhaitée). Plus la butée conique sera proche de l'arrière du bras de la pédale, plus la résistance sera élevée.



Remarque : Lorsque la butée conique est très proche de l'arrière du bras de la pédale de frein, vous pouvez avoir des difficultés à atteindre la valeur maximale de calibration. Dans ce cas :

* Appuyez –lentement– très fortement sur la pédale de frein pour atteindre la valeur maximale (si nécessaire, mettez-vous debout un court instant sur la pédale), puis relâchez la pression.

* Ou éloignez légèrement la butée conique de l'arrière du bras.

Informations relatives à la garantie aux consommateurs

Dans le monde entier, Guillemot Corporation S.A., ayant son siège social Place du Granier, B.P. 97143, 35571 Chantepite, France (ci-après « Guillemot ») garantit au consommateur que le présent produit Thrustmaster est exempt de défaut matériel et de vice de fabrication, et ce, pour une période de garantie qui correspond au délai pour intenter une action en conformité de ce produit. Dans les pays de l'Union Européenne, ce délai est de deux (2) ans à compter de la délivrance du produit Thrustmaster. Dans les autres pays, la durée de la période de garantie correspond au délai pour intenter une action en conformité du produit Thrustmaster selon la législation en vigueur dans le pays où le consommateur avait son domicile lors de l'achat du produit Thrustmaster (si une telle action en conformité n'existe pas dans ce pays alors la période de garantie est de un (1) an à compter de la date d'achat d'origine du produit Thrustmaster).

Nonobstant ce qui précède, les batteries sont garanties six (6) mois à compter de la date d'achat d'origine.

Si, au cours de la période de garantie, le produit semble défectueux, contactez immédiatement le Support Technique qui vous indiquera la procédure à suivre. Si le défaut est confirmé, le produit devra être retourné à son lieu d'achat (ou tout autre lieu indiqué par le Support Technique).

Dans le cadre de la garantie, le consommateur bénéficiera, au choix du Support Technique, d'un remplacement ou d'une remise en état de marche du produit défectueux. Si, pendant la période de garantie, le produit Thrustmaster fait l'objet d'une telle remise en état, toute période d'immobilisation d'au moins sept jours vient s'ajouter à la durée de la garantie qui restait à courir (cette période court à compter de la demande d'intervention du consommateur ou de la mise à disposition pour remise en état du produit en cause, si cette mise à disposition est postérieure à la demande d'intervention). Lorsque la loi applicable l'autorise, toute responsabilité de Guillemot et ses filiales (y compris pour les dommages indirects) se limite à la remise en état de marche ou au remplacement du produit Thrustmaster. Lorsque la loi applicable l'autorise, Guillemot exclut toutes garanties de qualité marchande ou d'adaptation à un usage particulier.

Cette garantie ne s'appliquera pas : (1) si le produit a été modifié, ouvert, altéré, ou a subi des dommages résultant d'une utilisation inappropriée ou abusive, d'une négligence, d'un accident, de l'usure normale, ou de toute autre cause non liée à un défaut matériel ou à un vice de fabrication (y compris, mais non limitativement, une combinaison du produit Thrustmaster avec tout élément inadapté, notamment alimentations électriques, batteries, chargeurs, ou tous autres éléments non-fournis par Guillemot pour ce produit) ; (2) si le produit a été utilisé en dehors du cadre privé, à des fins professionnelles ou commerciales (salles de jeu, formations, compétitions, par exemple). (3) en cas de non respect des instructions du Support Technique ; (4) aux logiciels, lesdits logiciels faisant l'objet d'une garantie spécifique ; (5) aux consommables (éléments à remplacer pendant la durée de vie du produit : piles, coussinets de casque audio, par exemple) ; (6) aux accessoires (câbles, étuis, housses, sacs, dragonnes, par exemple) ; (7) si le produit a été vendu aux enchères publiques.

Cette garantie n'est pas transférable.

Les droits légaux du consommateur au titre de la législation applicable dans son pays à la vente de biens de consommation ne sont pas affectés par la présente garantie.

Stipulations additionnelles à la garantie

Pendant la période de garantie, Guillemot ne fournira, en principe, pas de pièce détachée car le Support Technique est seul habilité tant à ouvrir qu'à remettre en état tout produit Thrustmaster (à l'exception des remises en état que le Support Technique demanderait, par instructions écrites, au consommateur d'effectuer - par exemple en raison de la simplicité et de l'absence de confidentialité du processus de remise en état -, en lui fournissant, le cas échéant, la ou les pièces détachées nécessaires).

Compte tenu de ses cycles d'innovation et pour préserver ses savoir-faire et secrets, Guillemot ne fournira, en principe, ni notice de remise en état, ni pièce détachée pour tout produit Thrustmaster dont la période de garantie est expirée.

Aux États-Unis d'Amérique et au Canada, la présente garantie est limitée au mécanisme interne et au boîtier externe du produit. En aucun cas, Guillemot ou ses sociétés affiliées ne sauraient être tenues responsables envers qui que ce soit de tous dommages indirects ou dommages accessoires résultant du non respect des garanties expresses ou implicites. Certains États/Provinces n'autorisent pas la limitation sur la durée d'une garantie implicite, ou l'exclusion ou la limitation de responsabilité pour les dommages indirects ou accessoires, de sorte que les limitations ou exclusions ci-dessus peuvent ne pas vous être applicables. Cette garantie vous confère des droits spécifiques ; vous pouvez également bénéficier d'autres droits qui peuvent différer d'un État/Province à l'autre.

Responsabilité

Lorsque la loi applicable l'autorise, Guillemot Corporation S.A. (ci-après « Guillemot ») et ses filiales excluent toute responsabilité pour tous dommages causés par un ou plusieurs des faits suivants: (1) le produit a été modifié, ouvert, altéré, (2) l'irrespect des instructions de montage, (3) l'utilisation inappropriée ou abusive, la négligence, l'accident (un choc, par exemple), (4) l'usure normale du produit, (5) l'utilisation du produit en dehors du cadre privé, à des fins professionnelles ou commerciales (salles de jeu, formations, compétitions, par exemple). Lorsque la loi applicable l'autorise, Guillemot et ses filiales excluent toute responsabilité pour tout dommage dont la cause n'est pas liée à un défaut matériel ou à un vice de fabrication du produit (y compris, mais non limitativement, tout dommage causé directement ou indirectement par tout logiciel, ou par une combinaison du produit Thrustmaster avec tout élément inadapté, notamment alimentations électriques, batteries, chargeurs, ou tous autres éléments non-fournis par Guillemot pour ce produit).

COPYRIGHT

© 2016 Guillemot Corporation S.A. Tous droits réservés. Thrustmaster® est une marque déposée de Guillemot Corporation S.A. Toutes les autres marques sont la propriété de leurs propriétaires respectifs. Illustrations non contractuelles. Le contenu, la conception et les spécifications sont susceptibles de changer sans préavis et de varier selon les pays. Fabriqué en Chine.

RECOMMANDATION RELATIVE A LA PROTECTION DE L'ENVIRONNEMENT

En fin de vie, ce produit ne doit pas être éliminé avec les déchets ménagers normaux mais déposé à un point de collecte des déchets d'équipements électriques et électroniques en vue de son recyclage.

Ceci est confirmé par le symbole figurant sur le produit, le manuel utilisateur ou l'emballage.

En fonction de leurs caractéristiques, les matériaux peuvent être recyclés. Par le recyclage et par les autres formes de valorisation des déchets d'équipements électriques et électroniques, vous contribuez de manière significative à la protection de

l'environnement. Veuillez consulter les autorités locales qui vous indiqueront le point de collecte concerné.

Informations à conserver. Les couleurs et décorations peuvent varier.

Ce produit est en conformité avec l'ensemble des normes relatives aux enfants de plus de 14 ans. Il ne convient pas aux enfants de moins de 14 ans.

www.thrustmaster.com





THRUSTMASTER®

SUPPORT TECHNIQUE

<http://ts.thrustmaster.com>

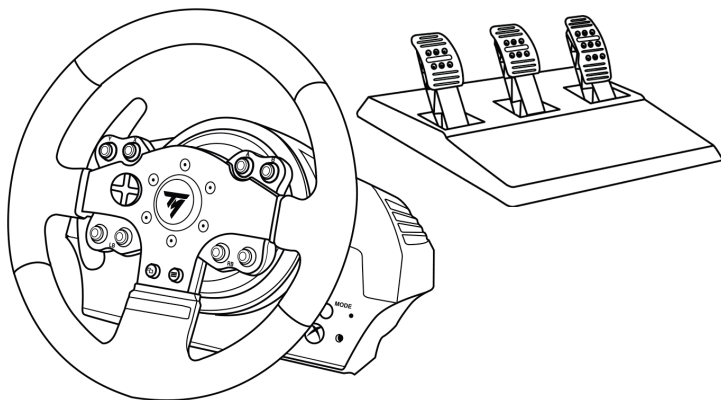


TMX PRO

FORCE FEEDBACK / RETOUR DE FORCE

PARA XBOX ONE® Y PC

Manual del usuario



ADVERTENCIA:

Para asegurarte de que tu volante de carreras TMX funcione correctamente con juegos para Xbox One o PC, puede que tengas que instalar las actualizaciones automáticas de los juegos

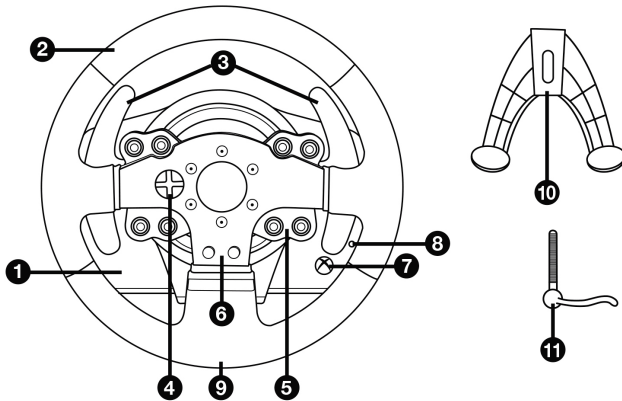
(disponibles cuando tu sistema (Xbox One o PC) está conectado a Internet).

ENGLISH

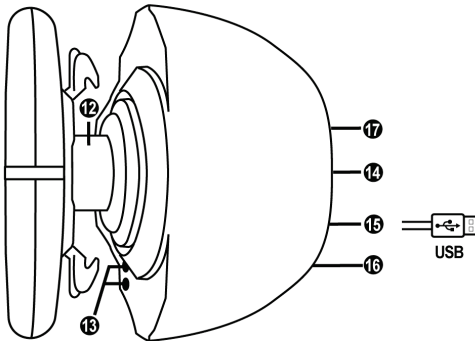
FRANÇAIS

ESPAÑOL

CARACTERÍSTICAS TÉCNICAS



- | | |
|--|---|
| 1 Base de TMX | 7 Botón Xbox Guide + luz indicadora blanca |
| 2 Volante | 8 Botón MODE + luz indicadora roja/verde |
| 3 2 levas de cambio secuenciales (Up y Down) | 9 Agujero roscado grande (para sistema de fijación y tornillo de apriete) |
| 4 D-Pad multidireccional | 10 Sistema de fijación |
| 5 Botones de acción | 11 Tornillo de fijación metálico |
| 6 Botones de acción | |



- | | |
|--|---|
| 12 Eje de dirección | 15 Conector y cable USB del volante de carreras |
| 13 Botón Xbox Guide + luz indicadora blanca | 16 Conector de caja de cambios (caja de cambios vendida por separado) |
| 14 Cable de alimentación o Conector de fuente de alimentación (tipo A o B) (varía de un país a otro) | 17 Conector de los pedales |

ADVERTENCIAS

Antes de utilizar este producto, lee detenidamente este manual y consérvalo para consultarlo posteriormente.



Advertencia – Descarga eléctrica

- * Mantén el producto en un lugar seco y no lo expongas al polvo ni a la luz directa del sol.
- * No retuerzas ni tires de los conectores ni de los cables.
- * No derrames líquidos en el producto ni en sus conectores.
- * No cortocircuites el producto.
- * No desmontes nunca el producto ni lo lances al fuego ni lo expongas a temperaturas elevadas.
- * No utilices otro cable de fuente de alimentación distinto del proporcionado con el volante de carreras.
- * No utilices el cable de fuente de alimentación si el cable o los conectores están dañados, partidos o rotos.
- * Asegúrate de que el cable de fuente de alimentación esté enchufado correctamente en un enchufe eléctrico, y conectado correctamente al conector de la parte trasera de la base del volante de carreras.
- * No abras el volante de carreras: en el interior no hay piezas que el usuario pueda arreglar. Las reparaciones las debe realizar el fabricante, su representante autorizado o un técnico cualificado.
- * Utiliza únicamente sistemas de fijación/accesorios especificados por el fabricante.
- * Si el volante de carreras se comporta de forma anormal (si emite sonidos anormales, calor u olores), deja de utilizarlo inmediatamente, desenchufa el cable de fuente de alimentación del enchufe eléctrico y desconecta los demás cables.
- * Si no vas a utilizar el volante de carreras durante un período de tiempo prolongado, desenchufa su cable de fuente de alimentación del enchufe eléctrico.
- * Utiliza únicamente la fuente de alimentación suministrada con el volante de carreras (si se trata de una fuente de alimentación externa).



Rejillas de ventilación

Asegúrate de no bloquear ninguna de las rejillas de ventilación de la base del volante de carreras. Para obtener una ventilación óptima, respeta los puntos siguientes:

- * Coloca la base del volante al menos a 10 cm de distancia de las paredes.
- * No coloques la base en espacios estrechos.
- * No tapes la base.
- * No dejes que se acumule polvo en las rejillas de ventilación.



Por razones de seguridad, no uses nunca los pedales con los pies descalzos o únicamente con calcetines en los pies.

THRUSTMASTER® DECLINA TODA RESPONSABILIDAD EN CASO DE LESIONES PRODUCTO DEL USO DE LOS PEDALES SIN CALZADO.



Advertencia – Lesiones debidas al Force Feedback y los movimientos repetitivos

Jugar con un volante con Force Feedback puede producir dolor en las articulaciones o en los músculos. Para evitar problemas:

- * Evita jugar durante períodos prolongados.
- * Haz descansos de 10 a 15 minutos por cada hora de juego.
- * Si sientes fatiga o dolor en las manos, muñecas, brazos, pies o piernas, deja de jugar y descansa durante unas horas antes de volver a jugar.



Advertencia – Lesiones debidas a Force Feedback y los movimientos repetitivos (continuación)

- * Si los síntomas o el dolor indicados anteriormente persisten cuando vuelves a jugar, deja de hacerlo y consulta al médico.
- * Mantén el volante fuera del alcance de los niños.
- * Durante el juego, mantén siempre ambas manos colocadas correctamente en el volante sin dejarlas completamente caídas.
- * Mientras estés jugando, no coloques nunca las manos ni los dedos debajo de los pedales, ni tampoco cerca de ellos.
- * Durante la calibración y el juego, no metas nunca las manos ni los brazos a través de las aberturas del volante de carreras.
- * Asegúrate de que la base del volante de carreras esté fijada correctamente, según las instrucciones de este manual.

PRODUCTO PESADO

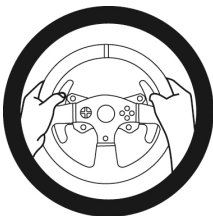


El producto sólo puede ser manejado por usuarios de 14 años de edad como mínimo



¡Ten cuidado de no dejar caer el producto encima de ti o de otra persona!

SIEMPRE



NUNCA



NUNCA

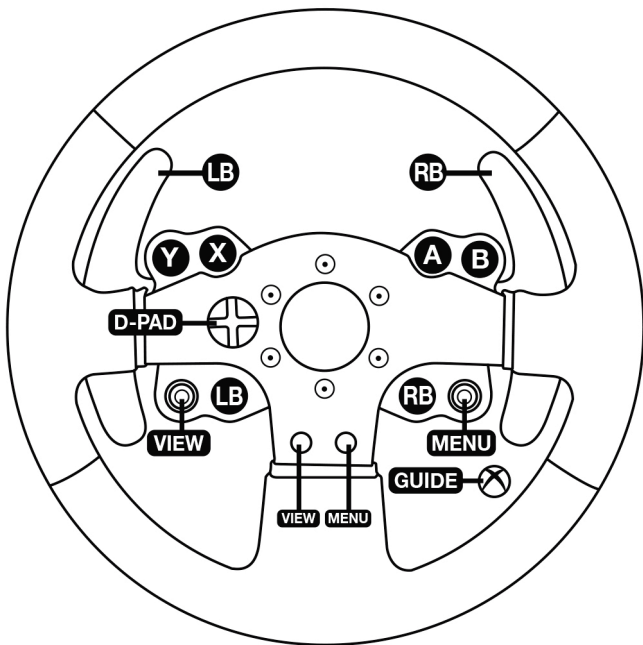


CONFIGURACIÓN DEL VOLANTE DE CARRERAS PARA XBOX ONE

1. Conecta los pedales al conector (17) situado en la parte trasera de la base del volante de carreras.
 2. Conecta el cable de fuente de alimentación al conector (14) situado en la parte trasera de la base del volante de carreras.
 3. Enchufa el cable de fuente de alimentación a un enchufe eléctrico con las mismas especificaciones de tensión.
 4. Conecta el conector USB del volante de carreras (15) a uno de los puertos USB del sistema.
 5. Una vez encendido el sistema, el volante de carreras se calibrará solo automáticamente.
- ¡Ya estás preparado para jugar!**

- La lista de juegos de Xbox One compatibles con el TMX Force Feedback está disponible en: <http://ts.thrustmaster.com> (en la sección Updates and Downloads, haz clic en Xbox One / Wheels / TMX Force Feedback). Esta lista se actualiza regularmente.

ASIGNACIÓN PARA XBOX ONE



CONFIGURACIÓN DEL VOLANTE DE CARRERAS PARA PC

1. Dirígete a <http://ts.thrustmaster.com> para descargar los controladores y el software de Force Feedback para PC. En la sección Updates and Downloads, haz clic en PC / Wheels / TMX Force Feedback y, a continuación, selecciona Drivers.

2. Una vez terminada la descarga, inicia la instalación y sigue las instrucciones en pantalla para conectar la clavija USB del volante al ordenador y terminar la instalación.

3. Una vez completada la instalación, haz clic en Terminar y reinicia el ordenador.

4. Selecciona Inicio / Todos los programas / Thrustmaster / FFB Racing Wheel / Panel de control para abrir la ventana Dispositivos de juego.

La ventana Dispositivos de juego muestra el nombre del volante de carreras Thrustmaster TMX Racing Wheel con el estado OK.

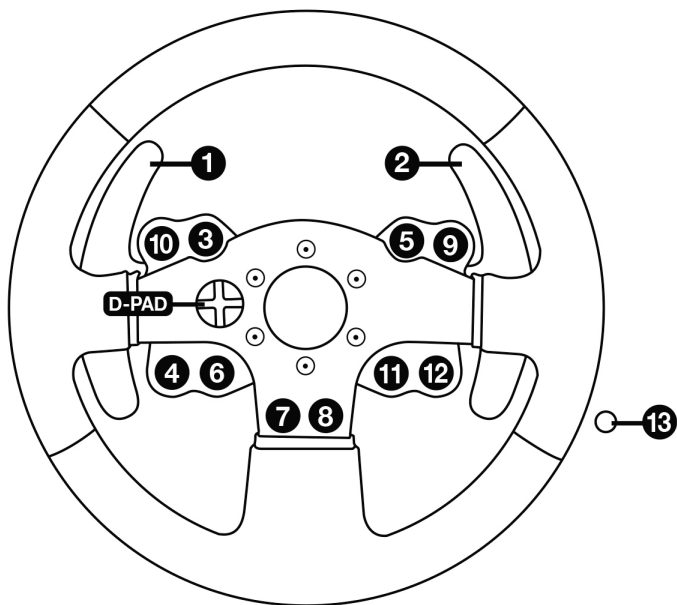
5. Haz clic en Propiedades para configurar el volante en el panel de control del TMX Force Feedback:

- Pestaña Test Input: permite probar y ver los botones de acción, botones de dirección, ejes del volante y los pedales, y ajustar el ángulo de rotación del volante en los juegos de PC.
- Pestaña Test Forces: permite probar los 12 efectos Force Feedback.
- Pestaña Gain Settings: permite ajustar la potencia de los efectos Force Feedback en los juegos de PC.

¡Ya estás preparado para jugar!

Notas generales:

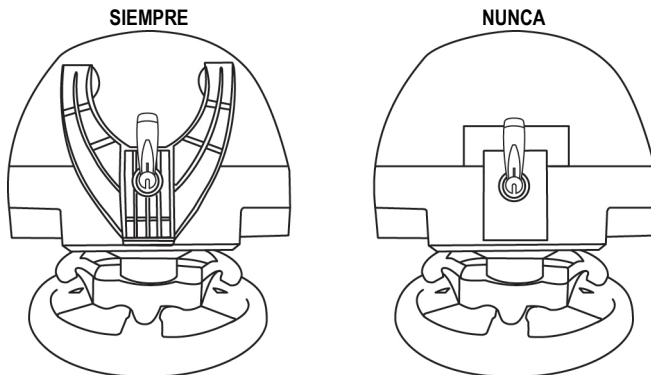
- En PC, haz clic en Aceptar para cerrar la ventana Dispositivos de juego antes de ejecutar el juego.
- En PC, los ajustes realizados en la ventana Dispositivos de juego sólo se guardarán en el ordenador (por lo tanto no tendrán efecto en Xbox One).
- La versión del firmware del volante se muestra en la esquina superior derecha de las pestañas del panel de control del TMX Force Feedback.



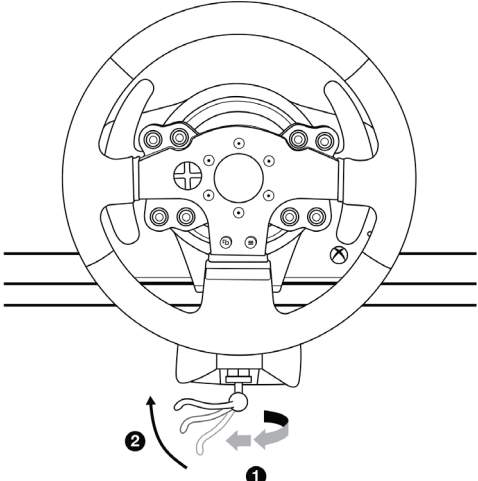
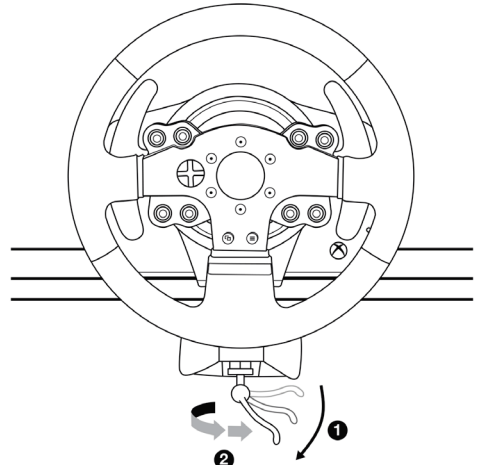
FIJACIÓN DEL VOLANTE DE CARRERAS

Fijación del volante de carreras a una mesa o un escritorio

1. Coloca el volante de carreras en una mesa o en otra superficie horizontal, plana y estable.
2. Inserta el tornillo de sujeción (11) en el sistema de fijación (10) y, a continuación, aprieta el dispositivo girando el tornillo a la izquierda, para que entre en el agujero roscado grande (9) situado debajo del volante de carreras, hasta que el volante esté perfectamente estable.



ADVERTENCIA: ¡No aprietes nunca el tornillo solo, sin el sistema de fijación en su sitio!
(De hacerlo así, se podría dañar el volante).

COLOCACIÓN / RETIRADA	INDICACIÓN
<p>Para apretar:</p> <p><i>Gira el tornillo hacia la izquierda</i></p>	
<p>Para aflojar:</p> <p><i>Gira el tornillo hacia la derecha</i></p>	

CALIBRACIÓN AUTOMÁTICA DEL VOLANTE

El volante de carreras se calibra solo automáticamente cuando enchufas el volante de carreras a la red eléctrica y conectas el conector USB del volante de carreras al sistema Xbox One.

Durante esta fase, el volante de carreras girará rápidamente hacia la izquierda y la derecha, cubriendo un ángulo de 900 grados, antes de detenerse en el centro.

ADVERTENCIA: ¡No toques nunca el volante de carreras durante la fase de autocalibración!

(Esto podría provocar una calibración incorrecta o lesiones personales).

BOTÓN MODE Y LUZ INDICADORA (8)

Botón MODE de los pedales

Con el TMX Force Feedback se incluyen 2 pedales.

Al utilizar estos pedales, asegúrate de que la luz indicadora permanezca en rojo o el pedal del acelerador no funcionará correctamente.

PEDALES DEL ACELERADOR Y EL EMBRAGUE	Color de la luz indicadora MODE (8)
NORMAL	ROJO
INTERCAMBIADOS	VERDE



ADVERTENCIA:

¡Con el juego de pedales T3PA incluido, asegúrate de que la luz indicadora permanezca encendida en rojo! (o de lo contrario el pedal del acelerador no funcionará correctamente)

Otros consejos para el botón MODE

Para obtener más información sobre el botón MODE y la luz indicadora, visita <http://ts.thrustmaster.com>. En la sección **Updates and Downloads**, haz clic en **Xbox One / Wheels / TMX Force Feedback** y, a continuación, selecciona **Manual/Help file**.

ACTUALIZACIÓN DEL FIRMWARE DEL VOLANTE DE CARRERAS

El firmware incluido en la base del volante de carreras se puede actualizar a una versión más reciente que incluya mejoras del producto.

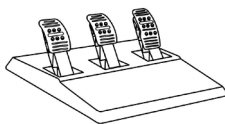
Para mostrar la versión de firmware que está usando actualmente tu volante de carreras y actualizarla si es necesario: en PC, visita <http://ts.thrustmaster.com>. En la sección **Updates and Downloads**, haz clic en **Xbox One / Wheels / TMX Force Feedback** y, a continuación, selecciona **Driver/Firmware** y sigue las instrucciones que describen el procedimiento de descarga e instalación.

ARCHIVOS DE AYUDA Y FAQ (NO INCLUIDOS EN ESTE MANUAL)

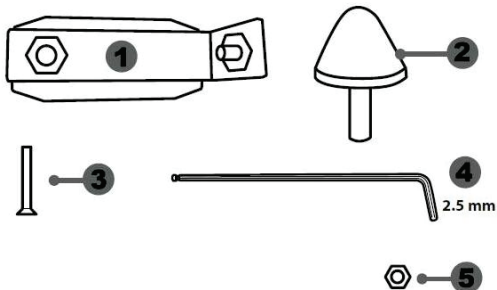
Visita <http://ts.thrustmaster.com> y en la sección **Updates and Downloads** haz clic en **Xbox One / Wheels / TMX Force Feedback**. A continuación, selecciona **Manual/Help file**.

Si el volante de carreras y/o los pedales no funcionan correctamente, o si la calibración parece incorrecta:

Apaga la consola o el PC y desconecta por completo el volante de carreras. A continuación, vuelve a conectar todos los cables (incluso el cable de fuente de alimentación y los pedales) y reinicia la consola o el PC y el juego.



CARACTERÍSTICAS TÉCNICAS



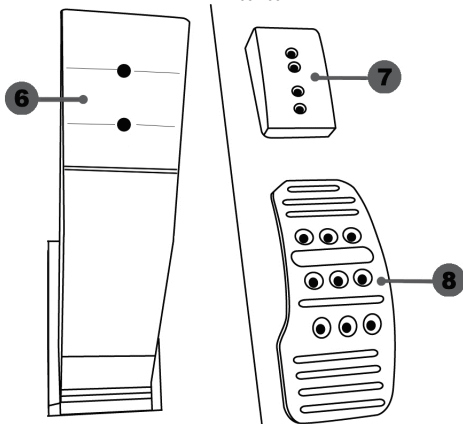
1 Soporte metálico para tope cónico
(no está instalado de forma
predeterminada)

2 Tope cónico

3 Tornillo de sujeción de soporte metálico

4 Llave Allen de 2,5 mm (incluida)

5 Tuerca de ajuste de posición para tope
cónico



6 Brazo del pedal

7 Soporte de cabeza de plástico

8 Cabeza del pedal metálica

AVISO



Por motivos de seguridad, no utilizar nunca los pedales con los pies desnudos o únicamente con calcetines en los pies.
THRUSTMASTER® DECLINA TODA RESPONSABILIDAD EN CASO DE LESIONES PRODUCTO DEL USO DE LOS PEDALES SIN CALZADO.



Advertencia – Peligro de pillarse con los pedales durante las sesiones de juego

- * Mantén los pedales fuera del alcance de los niños.
- * Durante las sesiones de juego, no pongas nunca los dedos en los lados de los pedales ni cerca de ellos.
- * Durante las sesiones de juego, no pongas nunca los dedos en la base trasera de los pedales ni cerca de ella.
- * Durante las sesiones de juego, no pongas nunca los dedos en la base delantera de los pedales ni cerca de ella.

NUNCA



NUNCA



NUNCA



CALIBRACIÓN AUTOMÁTICA DE LOS PEDALES



IMPORTANTE:

- No conectes ni desconectes nunca los pedales de la base del volante cuando el volante esté conectado a la consola o al PC, ni durante las sesiones de juego, para evitar problemas de calibración.
- Conecta siempre los pedales al volante antes de conectar el volante a la consola o al PC.
- Una vez que el volante se ha autocalibrado y el juego ha comenzado, los pedales se autocalibran automáticamente tras presionarlos varias veces.
- No presiones nunca los pedales cuando el volante se está autocalibrando o cuando el juego está arrancando, para evitar problemas de calibración.
- Si los pedales no están funcionando correctamente o parece que no están calibrados adecuadamente, apaga la consola, desconecta por completo el volante y, a continuación, vuelve a conectar todos los cables (incluyendo el cable de la fuente de alimentación y el de los pedales), vuelve a encender la consola y reinicia el juego.

FIJACIÓN DE LOS PEDALES A UNA CABINA

- Fija los pedales con las roscas de tornillo pequeñas situadas en la cara inferior de los pedales.
- Atornilla dos tornillos M6 (no incluidos) en la placa de soporte de los pedales en la cabina y en las dos roscas de tornillo pequeñas situadas en la cara inferior de los pedales.

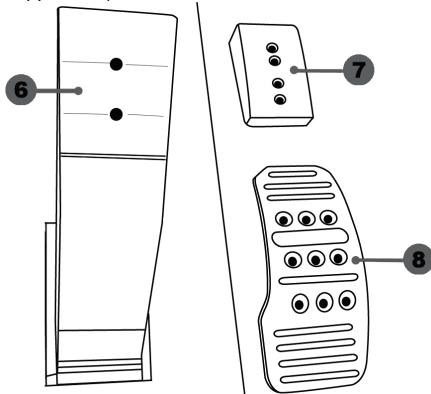
Importante: La longitud de los dos tornillos M6 no debe superar el grosor de la placa de soporte de los pedales en la cabina más 10 mm adicionales, para evitar dañar los componentes internos de los pedales.

Los diagramas de esquemas para cabinas están disponibles en <http://ts.thrustmaster.com>: en la sección **Updates and Downloads**, haz clic en **Xbox One / Wheels / TMX Force Feedback** y, a continuación, selecciona **Manual/Help file**.

AJUSTE DE LOS PEDALES

Cada uno de los tres pedales incluye:

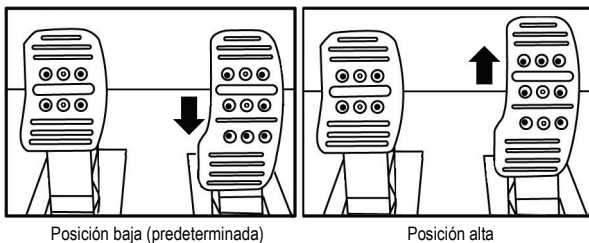
- Una cabeza metálica (8) con varias perforaciones (nueve para el acelerador, seis para el freno y seis para el embrague).
- Un soporte de cabeza de plástico (7) (situado entre la cabeza y el brazo) con cuatro perforaciones.
- Un brazo del pedal (6) con dos perforaciones.



ATENCIÓN: Para evitar problemas de calibración, asegúrate de desconectar siempre el cable USB del volante de la consola o PC antes de hacer ajustes en los pedales.

Ajuste de la ALTURA del pedal del acelerador

- Con la llave Allen de 2,5 mm incluida (4), desatornilla los dos tornillos que sujetan la cabeza metálica (8) y su soporte (7) en su sitio.
- Selecciona la posición de altura que prefieras y luego vuelve a colocar y apretar los tornillos de forma que la cabeza metálica (8) y su soporte (7) queden sujetos firmemente en su sitio.



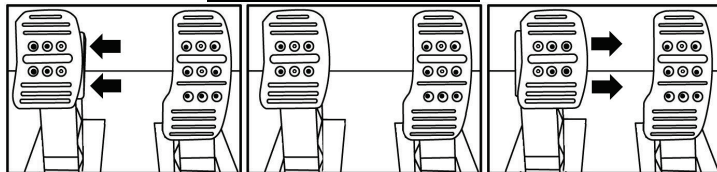
Posición baja (predeterminada)

Posición alta

Ajuste del ESPACIADO de los tres pedales

- Con la llave Allen de 2,5 mm incluida (4), desatornilla los dos tornillos que sujetan la cabeza metálica (8) y su soporte (7) en su sitio.
- Selecciona la posición que prefieras (a la izquierda, centrada o a la derecha) y, a continuación, vuelve a colocar y apretar los tornillos de forma que la cabeza metálica (8) y su soporte (7) queden sujetos firmemente en su sitio.

Ejemplos que ilustran el pedal del freno:



Posición izquierda

Posición centrada (predeterminada)

Posición derecha

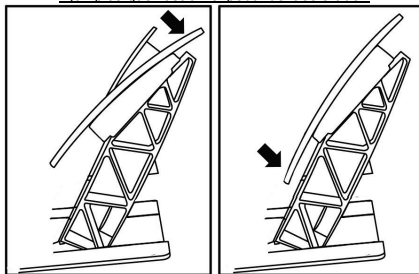
Número de posiciones de espaciado posibles por pedal:

- Tres para el pedal del acelerador
- Tres para el pedal del freno
- Tres para el pedal del embrague

Ajuste de la INCLINACIÓN de los pedales

- Con la llave Allen de 2,5 mm incluida (4), desatornilla los dos tornillos que sujetan la cabeza metálica (8) y su soporte (7) en su sitio.
- Gira el soporte de cabeza de plástico (7) 180° y, a continuación, vuelve a colocar y apretar los tornillos de forma que la cabeza metálica (8) y su soporte (7) queden sujetos firmemente.

Ejemplos que ilustran el pedal del acelerador:



Posición menos inclinada

Posición más inclinada (predeterminada)

Número de posiciones de inclinación posibles por pedal:

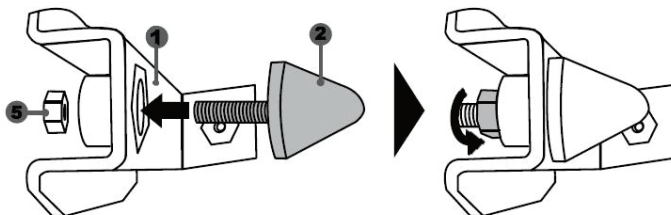
- Dos para el pedal del acelerador
- Dos para el pedal del freno
- Dos para el pedal del embrague

Instalación del tope cónico (mod “CONICAL RUBBER BRAKE”)

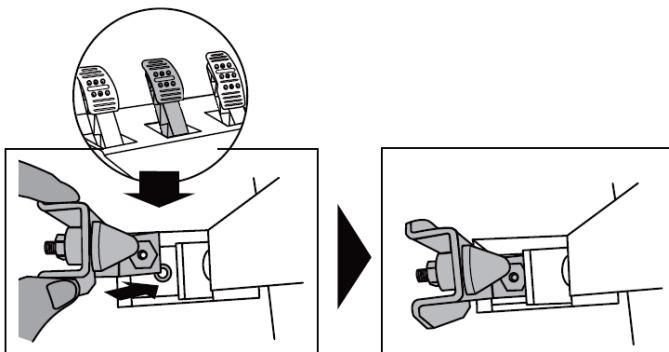
Esta modificación (o “mod”) no es esencial y no se instala de forma predeterminada. Esto significa que el pedal del freno funciona perfectamente aunque no esté instalado el mod.

Este mod te permite experimentar una resistencia y sensación diferentes al frenar. Depende de ti instalarlo o no, en función de tus preferencias.

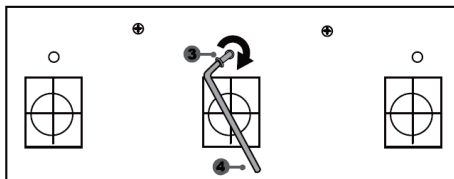
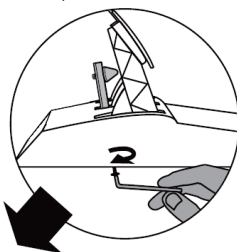
- Atornilla el tope cónico (2) en su soporte metálico (1).
- Atornilla la tuerca de ajuste de posición (5) en la parte inferior (en la rosca de tornillo del tope cónico).



- Coloca la unidad en la parte trasera del brazo del pedal del freno.



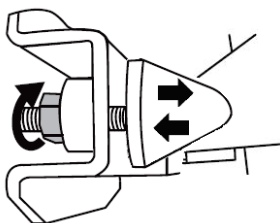
- Con la llave Allen de 2,5 mm incluida (4), fija la unidad con el tornillo de sujeción (3) y la rosca de tornillo central pequeña situada en la cara inferior de los pedales.



¡Ya está instalado el mod "CONICAL RUBBER BRAKE"!

Ajuste del RANGO de desplazamiento y la RESISTENCIA del pedal del freno

Si desatornillas ligeramente la tuerca (5), puedes reforzar más la resistencia del pedal del freno moviendo el tope cónico (2) más cerca de la parte trasera del brazo del pedal (si es necesario, usa una llave de 14 mm o unos alicates para volver a apretar la tuerca y mantener la posición seleccionada). Cuanto más cerca esté colocado el tope cónico de la parte trasera del brazo del pedal, mayor será la resistencia.



Nota: Cuando el tope cónico está muy cerca de la parte trasera del brazo del pedal del freno, puedes experimentar dificultades para alcanzar el valor de calibración máximo. Si eso sucediera:

- * Lentamente, presiona muy fuerte el pedal del freno para que alcance el valor máximo (si es necesario, descansa muy brevemente sobre el pedal, sólo durante un segundo) y, a continuación, libera la presión; o por el contrario
- * Desplaza el tope cónico un poco más lejos de la parte trasera del brazo del pedal del freno.

Información de garantía al consumidor

En todo el mundo, Guillemot Corporation S.A., cuyo domicilio legal se encuentra en Place du Granier, B.P. 97143, 35571 Chantepie, Francia (en lo sucesivo "Guillemot") garantiza al consumidor que este producto de Thrustmaster estará libre de defectos de materiales y mano de obra, durante un período de garantía que corresponde al límite de tiempo para interponer una acción legal referida a la conformidad en relación con este producto. En los países de la Unión Europea, esto corresponde a un período de dos (2) años a partir de la entrega del producto de Thrustmaster. En otros países, el período de garantía corresponde al límite de tiempo para interponer una acción legal referida a la conformidad en relación con este producto de Thrustmaster según las leyes aplicables del país en el que el consumidor estuviese domiciliado en la fecha de compra del producto de Thrustmaster (si no existiese una acción similar en el país correspondiente, entonces el período de garantía será de un (1) año a partir de la fecha de compra original del producto de Thrustmaster).

A pesar de lo anterior, las baterías recargables están cubiertas por un período de garantía de seis (6) meses a partir de la fecha de compra original.

Si el producto resultase defectuoso durante el período de garantía, hay que ponerse en contacto inmediatamente con el Soporte Técnico, que indicará el procedimiento a seguir. Si se confirma el defecto, el producto debe devolverse a su lugar de compra (o a cualquier otra ubicación indicada por el Soporte Técnico).

Dentro del contexto de esta garantía, el producto defectuoso del consumidor será sustituido o restaurado a su funcionamiento correcto. Si, durante el período de garantía, el producto de Thrustmaster fuese sometido a dicho reacondicionamiento, cualquier período de cómo mínimo siete (7) días durante el que el producto no se pueda usar se añadirá al período de garantía restante (este período va desde la fecha de petición de intervención del consumidor o desde la fecha en la que el producto se entrega para el reacondicionamiento, si la fecha en la que el producto se entrega para el reacondicionamiento fuese posterior a la fecha de la petición de intervención). Si la ley aplicable lo permite, toda la responsabilidad de Guillemot y sus filiales (incluso por daños resultantes) se limita a la restauración del funcionamiento correcto o la sustitución del producto de Thrustmaster. Si la ley aplicable lo permite, Guillemot renuncia a todas las garantías de comerciabilidad o adecuación para un propósito determinado.

Esta garantía no se aplicará: (1) si el producto ha sido modificado, abierto, alterado o ha sufrido daños como resultado de un uso inapropiado o abuso, negligencia, accidente, desgaste normal, o cualquier otra causa no relacionada con un defecto de materiales o fabricación (incluyendo, pero no de forma exclusiva, la combinación del producto de Thrustmaster con cualquier elemento no adecuado, incluyendo en particular fuentes de alimentación, baterías recargables, cargadores o cualquier otro elemento no suministrado por Guillemot para este producto); (2) si el producto se ha empleado para otro uso distinto del doméstico, incluyendo fines profesionales o comerciales (salones de juego, entrenamiento, competiciones, por ejemplo); (3) en caso de incumplimiento de las instrucciones proporcionadas por el Soporte Técnico; (4) a software, es decir software sujeto a una garantía específica; (5) a consumibles (elementos que se tienen que reemplazar a lo largo de la vida del producto: por ejemplo, baterías desechables o almohadillas para auriculares de audio); (6) a accesorios (por ejemplo, cables, cajas, bolsas, bolsos o muñequeras); (7) si el producto se ha vendido en una subasta pública.

Esta garantía no es transferible.

Los derechos legales del consumidor en relación con las leyes aplicables a la venta de productos de consumo de su país no se ven afectados por esta garantía.

Provisiones de garantía adicionales

Durante el período de garantía, Guillemot no proporcionará, en principio, ninguna pieza de repuesto, ya que el Soporte Técnico es el único autorizado para abrir y/o reacondicionar los productos de Thrustmaster (con la excepción de los procedimientos de reacondicionamiento que el Soporte técnico puede solicitar que lleve a cabo el consumidor, mediante instrucciones por escrito – por ejemplo, debido a la simplicidad y la falta de confidencialidad del proceso de reacondicionamiento – y suministrando al consumidor las piezas de repuesto necesarias, si hiciese falta).

Debido a sus ciclos de innovación y para proteger su know-how y secretos comerciales, Guillemot no proporcionará, en principio, ninguna pieza de repuesto ni instrucciones de reacondicionamiento para los productos de Thrustmaster cuyo período de garantía haya vencido.

En los Estados Unidos de América y en Canadá, esta garantía está limitada al mecanismo interno del producto y al alojamiento externo. En ningún caso, Guillemot ni sus filiales serán responsables ante terceros por daños resultantes o fortuitos resultado del incumplimiento de cualquier garantía expresa o implícita. En algunos estados o provincias no se permite la limitación de la duración de una garantía implícita ni la exclusión o limitación de responsabilidad por daños resultantes o fortuitos, por lo que las limitaciones o exclusiones anteriores pueden no ser aplicables. Esta garantía ofrece derechos legales específicos al consumidor, que también puede tener otros derechos que pueden variar de un estado a otro o de una provincia a otra.

Responsabilidad

Si la ley aplicable lo permite, Guillemot Corporation S.A. (en lo sucesivo "Guillemot") y sus filiales renuncian a toda responsabilidad por los daños causados por uno o más de los siguientes motivos: (1) el producto ha sido modificado, abierto o alterado; (2) incumplimiento de las instrucciones de montaje; (3) uso inapropiado o abuso, negligencia, accidente (un impacto, por ejemplo); (4) desgaste normal; (5) el producto se ha empleado para otro uso distinto del doméstico, incluyendo fines profesionales o comerciales (salones de juego, entrenamiento, competiciones, por ejemplo). Si la ley aplicable lo permite, Guillemot y sus filiales renuncian a toda responsabilidad por los daños no relacionados con defectos de materiales o fabricación en relación con el producto (incluyendo, pero no de forma exclusiva, los daños causados de forma directa o indirecta por cualquier software, o por combinar el producto de Thrustmaster con cualquier elemento no adecuado, incluyendo en particular fuentes de alimentación, baterías recargables, cargadores o cualquier otro elemento no suministrado por Guillemot para este producto).

COPYRIGHT

© 2016 Guillemot Corporation S.A. Todos los derechos reservados. Thrustmaster® es una marca registrada de Guillemot Corporation S.A. Todas las demás marcas son propiedad de sus respectivos dueños. Ilustraciones no definitivas. El contenido, la concepción y las especificaciones son susceptibles de cambiar sin previo aviso y varían según el país. Fabricado en China.

RECOMENDACIÓN DE PROTECCIÓN AMBIENTAL



Al terminar su vida útil, este producto no debe tirarse en un contenedor de basuras estándar, sino que debe dejarse en un punto de recogida de desechos eléctricos y equipamiento electrónico para ser reciclado.

Esto viene confirmado por el símbolo que se encuentra en el producto, manual del usuario o embalaje.

Dependiendo de sus características, los materiales pueden reciclarse. Mediante el reciclaje y otras formas de procesamiento de los desechos eléctricos y el equipamiento electrónico puedes contribuir de forma significativa a ayudar a proteger el medio ambiente.

Contacta con las autoridades locales para más información sobre el punto de recogida más cercano.

Esta información debe conservarse. Los colores y motivos decorativos pueden variar.

Este producto cumple con todas las normas relativas a los niños de más de 14 años. No es recomendable para niños de menos de 14 años.

www.thrustmaster.com



