

# HP TFT7600 Rackmount Keyboard and Monitor Installation Instructions



## Audience assumptions

This document is for the person who installs racks and rack products. This procedure is performed only by trained personnel. HP assumes you are qualified in performing installations and trained in recognizing hazards in rack products.

## **▲ Important Safety Information**

Before installation, read *Important Safety Information* on the Documentation CD.  
.Documentation CD قبل التثبيت، اقرأ معلومات هامة حول السلامة على القرص المضغوط  
Pred instalacií si přečtěte příručku *Důležité bezpečnostní informace* na disku CD.  
安裝之前，請閱讀文檔 CD 上的 **重要安全信息**。  
安裝前，請閱讀說明文件光碟上的「**重要的安全性資訊**」。  
Læs dokumentet Vigtige sikkerhedsoplysninger på dokumentations-cd'en, før produktet installeres.  
Lesen Sie vor der Installation die *Sicherheitshinweise* auf der Documentation CD.  
Enne installimist vt dokumentatsiooni CD-lt peatükki „*Tähtis ohutusteave*“.  
Antes de la instalación, lea la sección *Información de seguridad importante* del CD Documentation.  
Avant l'installation, lisez les *informations importantes relatives à la sécurité* CD Documentation.  
Πριν την εγκατάσταση, διαβάστε *Σημαντικές πληροφορίες ασφαλείας* στο CD Documentation.  
לפני ההתקנה, קרא את המידע הבטיחותי השוב שב-Documentation CD (תקליטור התיעוד)  
Prije ugradnje, pročitajte *Važne sigurnosne informacije* na dokumentacijskom CD-u.  
Prima dell'installazione, leggere sul CD le *Informazioni importanti sulla sicurezza*.  
インストール前に、Documentation CDの「安全に使用していただくために」をお読みください。  
설치하기 전에 Documentation CD의 **주요 안전 수칙**을 읽으십시오.  
Pirms instalācijas, izlasiet drošības informāciju dokumentācijas CD.  
Prieš diegdami perskaitykite *Svarbią saugos informaciją* dokumentacijos CD.  
Telepítés előtt olvassa el a dokumentációs CD *Fontos biztonsági tudnivalók* dokumentumát.  
Lees de *Belangrijke veiligheidsinformatie* op de documentatie-cd voordat u de installatie uitvoert.  
Les "Viktig sikkerhetsinformasjon" på dokumentasjons-CDen før du installerer dette produktet.  
Przed instalacją przeczytaj *Ważne informacje dotyczące bezpieczeństwa* na dysku CD Documentation.  
Antes da instalação, leia as *Informações Importantes sobre Segurança* no CD da Documentação.  
Перед установкой ознакомьтесь с разделом *Указания по технике безопасности* на компакт-диске «Документация».  
Pred inštaláciou si prečítajte časť *Dôležité bezpečnostné informácie* na disku Documentation CD.  
Pred nameštivitvijo preberite *Pomembne varnostne informacije* na CD-ju Documentation.  
Tärkeisiin turvatietoihin" Documentation CD -levyllä ennen tuotteen asentamista.  
Läs dokumentet Viktig säkerhetsinformation på dokumentations-cd:n innan du installerar denna produkt.  
Yüklemeden önce, Documentation CD'sindeki *Önemli Güvenlik Bilgileri*'ni okuyun.  
Перед установкою прочитайте *Важливі відомості з безпеки* на CD документації.


© Copyright 2005 Hewlett-Packard Development Company, L.P.

The information contained herein is subject to change without notice. The only warranties for HP products and services are set forth in the express warranty statements accompanying such products and services. Nothing herein should be construed as constituting an additional warranty. HP shall not be liable for technical or editorial errors or omissions contained herein.

November 2005 (First Edition)  
Part Number 365379-001

# About this device

The TFT7600 Rackmount Keyboard and Monitor (RKM) is a rack-mountable 1U integrated flat-panel monitor, with a 43.18-cm (17-in) color-active matrix Thin Film Transistor (TFT) Liquid Crystal Display (LCD), and keyboard with hotkeys and track pad.

 **NOTE:** 1U = 1.75 inches or 4.45 cm

The TFT7600 RKM is mounted on rails with space available to add a 1U KVM switch box behind the unit. The TFT7600 RKM can be used with all HP 5000 and HP 10000 Series racks.


# Kit contents

The kit contains:

- TFT7600 RKM (1)
- M6 screws (4)
- 6-32 screws (5)
- HP 1U Adjustable Toolless Rails (2)
- Cable management arm, power adapter with brace rail (1)
- Lock plates (2)
- USB cables (2)
- PS2 cables (2)
- Video cable
- Power cords (2)
- USB cable labels
- Documentation

This kit contains extra hardware for your convenience.


# Rack warning

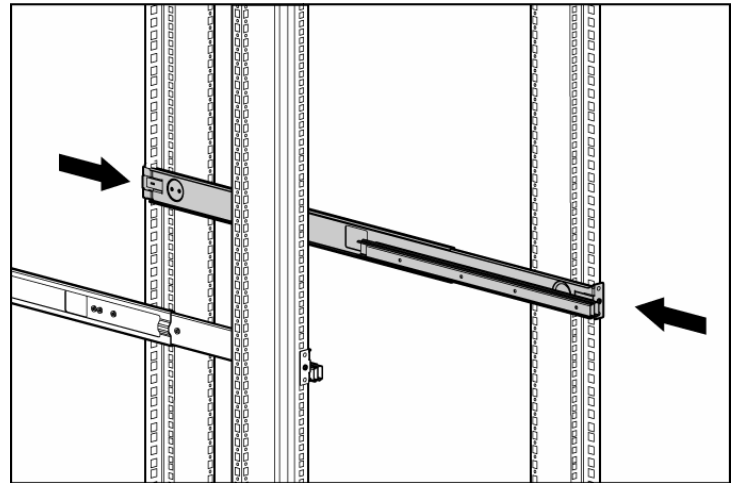
 **WARNING:** To reduce the risk of personal injury or damage to the equipment, be sure that:

- The leveling feet are extended to the floor.
- The full weight of the rack rests on the leveling feet.
- The stabilizing feet are attached to the rack if it is a single-rack installation.
- The racks are coupled together in multiple-rack installations.
- Only one component is extended at a time. A rack may become unstable if more than one component is extended for any reason.
- Only racks of the same series, height, and depth are bayed together.

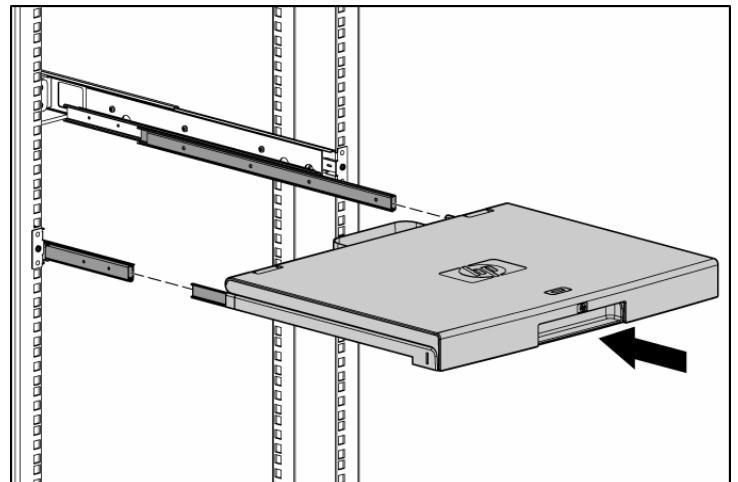
# Installing the HP TFT7600 RKM

1. Align the HP 1U Adjustable Toolless Rails with the holes marked on the rack, and snap them into place.
  - a. Snap one end of the HP 1U Adjustable Toolless Rails into the Retma rails.
  - b. Extend the other half of the HP 1U Adjustable Toolless Rails to meet the appropriate rack depth, and snap them into place.

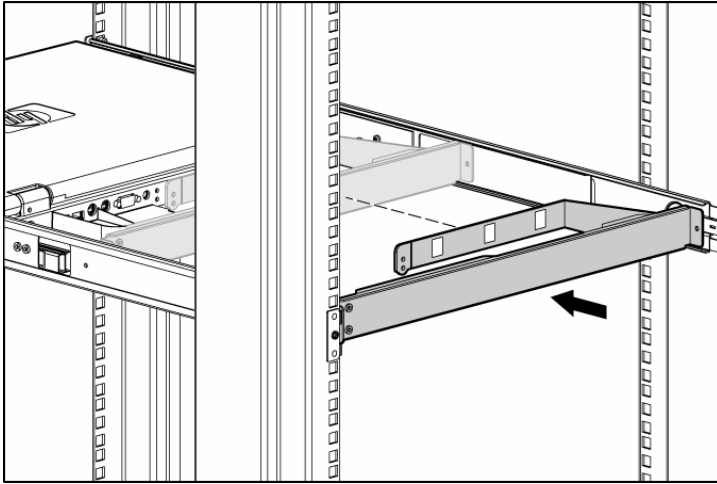
 **NOTE:** If the HP 1U Adjustable Toolless Rails do not snap into place, be sure that they align with the holes marked on the rack. The holes marked on the rack must be in the same location for the front and rear of the rack.



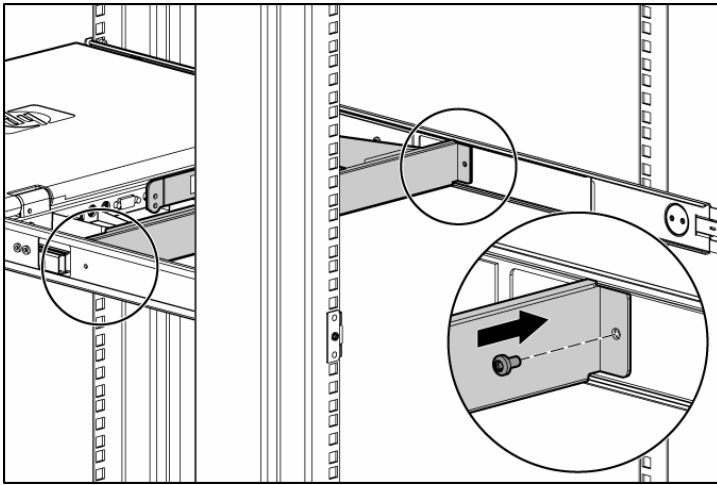
2. Extend the inner slides until they lock into place.
3. Align the unit with the extended inner slides, inserting the unit into the rack.



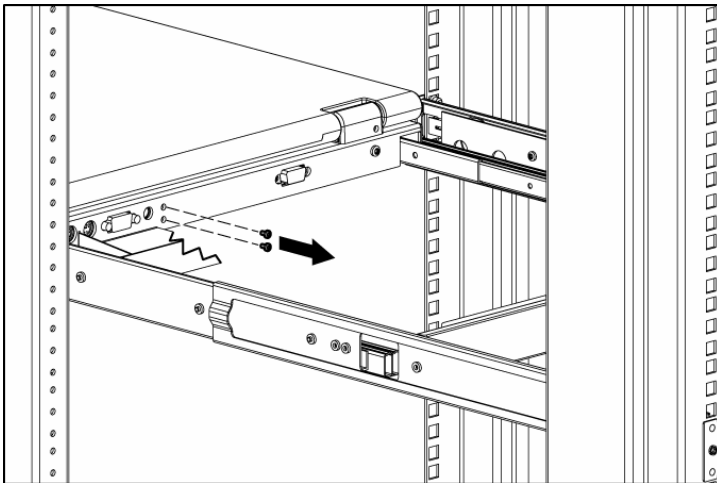
4. Slide the brace rail assembly in between the HP 1U Adjustable Toolless Rails from the rear of the rack.



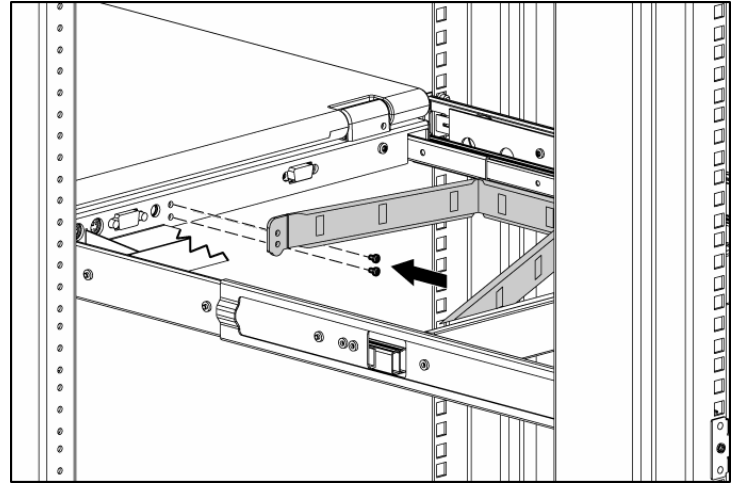
5. Align the screw holes on the brace rail with the screw holes on the HP 1U Adjustable Toolless Rails.
6. Secure the brace rail to the HP 1U Adjustable Toolless Rails with two 6-32 screws.



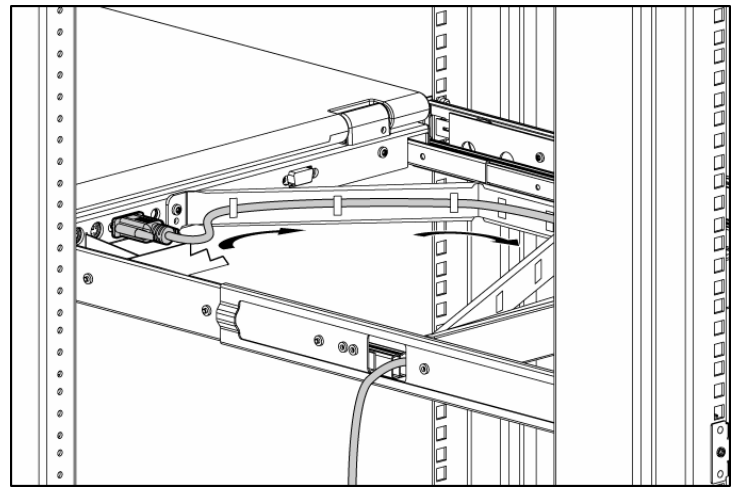
7. Remove the two shipping screws from the rear of the HP TFT7600 and discard the screws.



8. Attach the cable management arm to the rear of the unit with two 6-32 screws, supplied in the kit.



9. Connect and route the cables through the cable management arm and unit opening.



Installation is complete.