

Overview

HP EliteOne 1000 G1 All-in-One Business PC



HP EliteOne 1000 G1 AiO Front

- | | |
|------------------------|------------------------------------|
| 1. Webcam (optional) | 4. Collaboration keys |
| 2. Speakers (optional) | 5. On-screen display (OSD) buttons |
| 3. Volume slider | 6. Power button |

Overview



HP EliteOne 1000 G1 AiO Collaboration Keys

- | | |
|------------------------|---------------------------|
| 1. Volume slider | 5. Microphone mute button |
| 2. Speaker mute button | 6. Call button |
| 3. Hang up button | 7. Power button |
| 4. Webcam mute button | |

Features



HP EliteOne 1000 G1 AiO Rear

- | | |
|-------------------------|---------------------------------------|
| 1. Security lock slot | 5. DisplayPort™ out |
| 2. RJ-45 (network) jack | 6. HDMI out connector |
| 3. Power connector | 7. USB 3.1 Gen 1 ports |
| 4. DisplayPort™ in | 8. USB 3.1 Gen 1 ports (wake capable) |

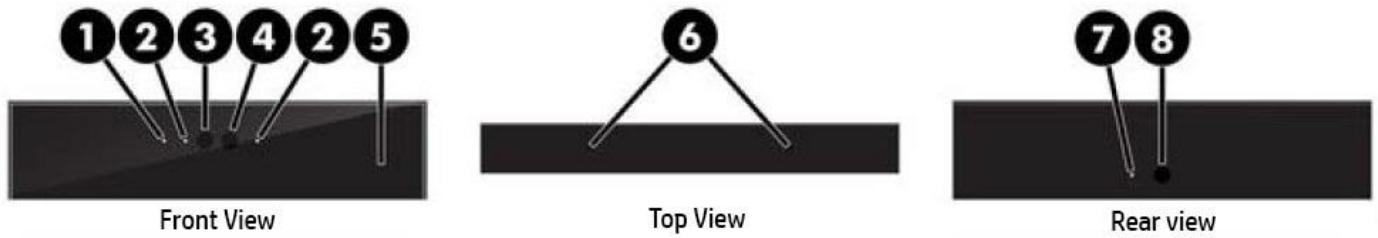
Features



HP EliteOne 1000 G1 AiO Side

- | | |
|---|---|
| 1. USB 3.1 Gen 1 Type-A (charging) port | 3. Universal Audio Jack with CTIA headset support |
| 2. USB 3.1 Type-C Gen 1 port | 4. Fingerprint sensor (optional) |

Features



HP EliteOne 1000 G1 AiO and HP EliteOne 1000 Display Infrared (IR) and Dual-facing Full High Definition (FHD) webcam (optional)

- | | |
|--------------------------------------|---------------------------------|
| 1. Webcam light | 5. Rear webcam adjustment wheel |
| 2. IR light | 6. Digital microphones |
| 3. Full High Definition (FHD) webcam | 7. Webcam light |
| 4. IR webcam | 8. FHD webcam |



HP EliteOne 1000 G1 AiO and HP EliteOne 1000 Display Full High Definition (FHD) webcam (optional)

- | | |
|-----------------|------------------------|
| 1. Webcam light | 3. Digital microphones |
| 2. FHD webcam | |

Features

HP EliteOne 1000 Displays

Additional optional displays include

HP EliteOne 1000 23.8-in FHD Display

HP EliteOne 1000 23.8-in FHD Touch Display

HP EliteOne 1000 27-in 4K UHD Display

HP EliteOne 1000 34-in WQHD Curved Display

* Separately purchased, interchangeable displays in sizes 23.8" (60.45 cm), 27" (68.58 cm) and 34" (86.36 cm) diagonal are planned to be available after launch in November 2017.

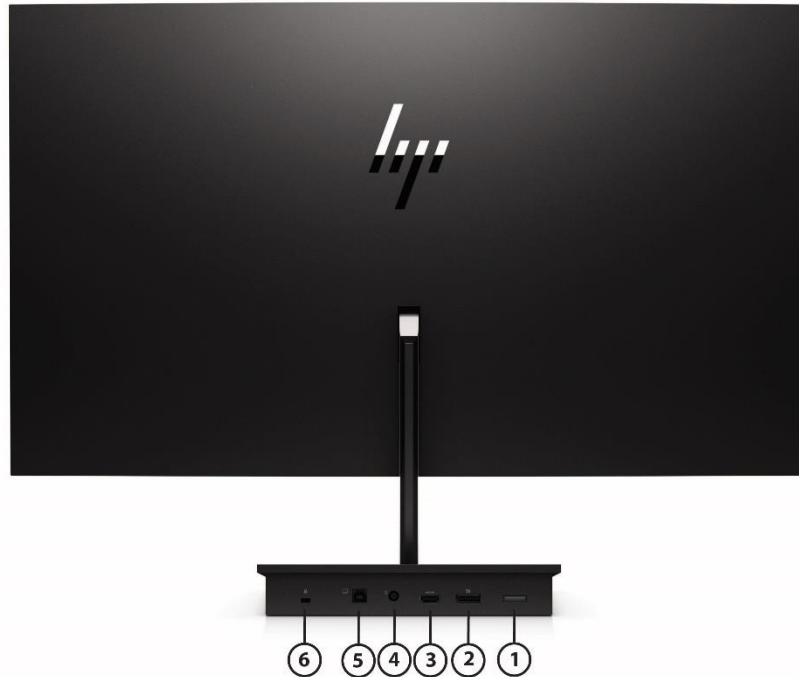
Features



**HP EliteOne 1000 Display
Front**

- 1. Webcam
- 2. Power status LED
- 3. On-screen display (OSD) buttons

Features



HP EliteOne 1000 Display Rear

- | | |
|---------------------|------------------------|
| 1. Power button | 4 Power connector |
| 2 DisplayPort™ in | 5 RJ-45 (network) jack |
| 3 HDMI in connector | 6 Security lock slot |

Features



**HP EliteOne 1000 Display
Side**

Features

At a Glance

- New All-in-One form factor with interchangeable and upgradeable display options[1]
 - New commercial ID with 23.8" FHD Touch and Non-touch, 27" 4K UHD, and 34" WQHD Curved[2] display options
 - Ability to redeploy displays or purchase additional displays [1] with a matching standalone display base
 - Tool-less accessibility to easily reach upgradeable components or swap displays
 - Creates a rich video conferencing solution with immersive video and audio engagement, capacitive touch collaboration keys, and a built-in pop-up privacy camera
 - Integrated collaboration keys keep conferencing controls (call answer, microphone mute, webcam disable, call hang up, and volume controls) within reach
 - Intel® Q270 chipset supporting Intel® 7th generation Core™ processors and Intel® 6th generation Core™ processors, featuring integrated Intel® HD Graphics and Intel® vPro™ Technology (available with Core i5 and Core i7 processors)
 - 65W processor support
 - Support for Windows 10 with Intel® 7th Generation processors
 - Support for Windows 10 to Windows 7 Downgrade with Intel® 6th Generation processors
 - Intel® HD graphics
 - Intel® Ethernet Connection I219LM GbE LOM integrated network connection
 - DDR4 Synchronous Dynamic Random Access Memory (SDRAM)
 - Support for up to 2 additional monitors via DisplayPort™ (1) or HDMI connector (1)
 - HP Sure Start Gen3 [3]
 - HP Manageability Integration Kit [4]
 - HP PhoneWise; A Bluetooth™ phone integration solution that allows you to route phone calls and answer texts on your PC
 - ENERGY STAR® certified. EPEAT® Gold registered where applicable/supported. Registration may vary by country. See www.epeat.net for registration status by country.
 - CCC Certified
 - TCO Edge for AiO
 - PC chassis and all internal components and modules are manufactured with low halogen content [5]
 - Arsenic-free
 - Protected by HP Services, including limited warranties up to 3-3-3 (terms and conditions vary by country; certain restrictions and exclusions apply); Care Packs available with up to 5 years ext Business Day Onsite Hardware Support
1. Separately purchased, interchangeable displays in sizes 23.8" (60.45 cm), 27" (68.58 cm) and 34" (86.36 cm) diagonal are planned to be available after launch in November.
 2. 34" display not available at launch. Planned availability November 2017.
 3. HP Sure Start G3 requires Intel® 7th generation processors
 4. HP Management Integration Kit for Microsoft System Center Configuration Manager: HP Management Integration Kit can be downloaded from <http://www8.hp.com/us/en/ads/clientmanagement/overview.html>
 5. External power supplies, power cords, cables and peripherals are not low halogen. Service parts obtained after purchase may not be low halogen.

NOTE: See important legal disclosures for all listed specs in their respective features sections.



Features

PRODUCT NAMES

HP EliteOne 1000 G1 All-in-One Business PC

- HP EliteOne 1000 G1 23.8-in All-in-One Business PC
- HP EliteOne 1000 G1 23.8-in Touch All-in-One Business PC
- HP EliteOne 1000 G1 27-in 4K UHD All-in-One Business PC
- HP EliteOne 1000 G1 34-in Curved All-in-One Business PC*

* 34" display not available at launch. Planned availability November 2017.

OPERATING SYSTEMS

Preinstalled

Microsoft Windows® 10 Professional (64 bit) [1]
Microsoft Windows® 10 Professional (64 bit) (National Academic License) [1]
Microsoft Windows® 10 Home (64 bit)
Microsoft Windows® 10 Home Single Language (64 bit)
Microsoft Windows® 10 Professional (64 bit) downgrade to Windows® 7 (32 bit)
Microsoft Windows® 10 Professional (64 bit) downgrade to Windows® 7 (64 bit)
FreeDOS 2.0
NeoKylin Linux® 64 [2]

Web-supported only

Microsoft Windows® 10 Enterprise (64 bit)
Microsoft Windows® 7 Enterprise (64 bit)

1. Not all features are available in all editions or versions of Windows. Systems may require upgraded and/or separately purchased hardware, drivers, software or BIOS update to take full advantage of Windows functionality. Windows 10 is automatically updated, which is always enabled. ISP fees may apply and additional requirements may apply over time for updates. See <http://www.windows.com/>.
 2. This system is preinstalled with Windows 7 Pro software and also comes with a license and media for Windows 10 Pro software. You may only use one version of the Windows software at a time. Switching between versions will require you to uninstall one version and install the other version. You must back up all data (files, photos, etc.) before uninstalling and installing operating systems to avoid loss of your data.
-



Features

PROCESSORS

Intel® Core™ i7-7700 with Intel® HD Graphics 630 (3.6 GHz, up to 4.2 GHz with Intel® Turbo Boost, 8 MB cache, 4 cores)
Intel® Core™ i5-7500 with Intel® HD Graphics 630 (3.4 GHz, up to 3.8 GHz with Intel® Turbo Boost, 6 MB cache, 4 cores)
Intel® Core™ i5-7600 with Intel® HD Graphics 630 (3.5 GHz, up to 4.1 GHz with Intel® Turbo Boost, 6 MB cache, 4 cores)
Intel® Core™ i3-7100 with Intel® HD Graphics 630 (3.9 GHz, 3 MB cache, 2 cores)
Intel® Core™ i3-7300 with Intel® HD Graphics 630 (4 GHz, 4 MB cache, 2 cores)
Intel® Core™ i3-7320 with Intel® HD Graphics 630 (4.1 GHz, 4 MB cache, 2 cores)
Intel® Pentium® G4560 with Intel® HD Graphics 610 (3.5 GHz, 3 MB cache, 2 cores)
Intel® Pentium® G4600 with Intel® HD Graphics 630 (3.6 GHz, 3 MB cache, 2 cores)
Intel® Pentium® G4620 with Intel® HD Graphics 630 (3.7 GHz, 3 MB cache, 2 cores)
Intel® Celeron™ G3930 with Intel® HD Graphics 610 (2.9 GHz, 2 MB cache, 2 cores)
Intel® Celeron™ G3950 with Intel® HD Graphics 610 (3.0 GHz, 2 MB cache, 2 cores)
Intel® Core™ i7-6700 with Intel® HD Graphics 530 (3.4 GHz, up to 4 GHz with Intel® Turbo Boost, 8 MB cache, 4 cores)
Intel® Core™ i5-6500 with Intel® HD Graphics 530 (3.2 GHz, up to 3.6 GHz with Intel® Turbo Boost, 6 MB cache, 4 cores)
Intel® Core™ i5-6600 with Intel® HD Graphics 530 (3.3 GHz, up to 3.9 GHz with Intel® Turbo Boost, 6 MB cache, 4 cores)
Intel® Core™ i3-6100 with Intel® HD Graphics 530 (3.7 GHz, 3 MB cache, 2 cores)
Intel® Pentium® G4440 with Intel® HD Graphics 510 (3.3 GHz, 3 MB cache, 2 cores)
Intel® Celeron™ G3900 with Intel® HD Graphics 510 (2.8 GHz, 2 MB cache, 2 cores)

Processors Family

Intel® 7th Generation Core™ Processors

Intel® 6th Generation Core™ Processors

NOTE: Your product does not support Windows 8 or Windows 7. In accordance with Microsoft's support policy, HP does not support the Windows® 8 or Windows 7 operating system on products configured with Intel® and AMD 7th generation and forward processors or provide any Windows® 8 or Windows 7 drivers on <http://www.support.hp.com>

NOTE: Multi-Core is designed to improve performance of certain software products. Not all customers or software applications will necessarily benefit from use of this technology. 64-bit computing system required. Performance and clock frequency will vary depending on application workload and your hardware and software configurations. Intel®'s numbering is not a measurement of higher performance.

CHIPSET

Intel® Q270



Features

GRAPHICS

Integrated

Intel® HD graphics [1]

Intel® HD Graphics 530 (integrated on 6th gen Core i7/i5/i3 processors)

Intel® HD Graphics 510 (integrated on 6th gen Pentium G4400 and Celeron G3900)

Intel® HD Graphics 630 (integrated on 7th gen Core i7/i5/i3 processors and Pentium G4620, 4600)

Intel® HD Graphics 610 (integrated on Pentium® G4560, Celeron® G3950, G3930)

1. HD content required to view HD images.

DISPLAYS

HP EliteOne 1000 23.8-in FHD Display [1]

23.8" diagonal IPS widescreen WLED backlit anti-glare LCD (1920 x 1080) [2]

Non-Touch

Tilt: 5 degrees forward and 25 degrees back

Height Adjustment: 40mm

HP EliteOne 1000 23.8-in FHD Touch Display [1]

23.8" diagonal IPS widescreen WLED backlit anti-glare LCD (1920 x 1080) [2]

Touch; Projected capacitive touch supports up to 10 touch-points

Tilt: 5 degrees forward and 25 degrees back

Height Adjustment: 40mm

HP EliteOne 1000 27-in 4K UHD Display [1]

27" diagonal IPS widescreen WLED backlit anti-glare 4K UHD LCD (3840 x 2160) [2]

Non-Touch

Tilt: 5 degrees forward and 25 degrees back

HP EliteOne 1000 34-in WQHD Curved Display [1][3]

34" diagonal IPS widescreen WLED backlit anti-glare WQHD LCD (3440 x 1440) [2,3]

Non-Touch Tilt: 0 degrees forward and 20 degrees back

1. HD content required to view HD images.
2. Resolutions are dependent upon monitor capability, and resolution and color depth settings.
3. 34" display not available at launch. Planned availability November 2017.

NOTE: Display options are configured at purchase with the HP EliteOne 1000 G1 AiOs.

NOTE: Separately purchased, interchangeable displays in sizes 23.8" (60.45 cm), 27" (68.58 cm) and 34" (86.36 cm) diagonal are planned to be available after launch in November 2017.

STORAGE AND DRIVES

Hard Drives

500 GB SATA (7200 RPM)

1 TB SATA (7200 RPM)

2 TB SATA (5400 RPM)

Solid State Drive

128GB SATA TLC SSD

256GB SATA TLC SSD

512GB SATA TLC SSD

Solid State Hybrid Drives

500GB 5400RPM 2.5in 8GB Hybrid

1TB 5400RPM 2.5in 8GB Hybrid

2TB 5400RPM 2.5in 8GB Hybrid



Features

SED Hard Drives

500GB 7200RPM 2.5in SED OPAL 2

500GB 5400RPM 2.5in Federal Information Processing Standard (FIPS) SED

SED Solid State Drives

256GB TLC SED SSD OPAL 2 Drive

512GB TLC SED SSD OPAL 2 Drive

256GB TLC SED SSD 2.5in Federal Information Processing Standard (FIPS) SED

512GB TLC SED SSD 2.5in Federal Information Processing Standard (FIPS) SED

PCIe NVMe SSD Drives

256GB PCIe NVMe TLC SSD

512GB PCIe NVMe TLC SSD

1TB PCIe NVMe TLC SSD

256GB PCIe NVMe SSD

512GB PCIe NVMe SSD

NOTE: For storage drives, GB = 1 billion bytes. TB = 1 trillion bytes. Actual formatted capacity is less. Up to 30 GB (for Windows 10) is reserved for system recovery software.

MEMORY

Maximum

32GB (16GB/slot)

Memory Slots

2 SODIMM

DDR4-2400 (Transfer rates up to 2400 MT/s)

Double channel support

Customer accessible/upgradeable

Configurations

4 GB (4096 MB x 1)

Intel® Optane Memory 16GB SSD (cache)

NETWORKING/COMMUNICATIONS

Wireless LAN (WLAN)

Intel® 8265 802.11AC 2x2 Wi-Fi +Bluetooth® M.2 Combo Card vPro™ (802.11AC Wave 2 supported)

Intel® 8265 802.11AC 2x2 Wi-Fi +Bluetooth® M.2 Combo Card non-vPro™ (802.11AC Wave 2 supported)

Intel® 7265 802.11AC 2x2 Wi-Fi +Bluetooth® M.2 Combo Card non-vPro™

Ethernet

Intel® I219LM Gigabit Network Connection LOM (standard)

Features

AUDIO/MULTIMEDIA

Audio	Integrated Conexant CX5001 codec - up to 24-bit PCM High performance integrated stereo speakers (2W) Headset side port (3.5mm) Headphone rear port (3.5mm) Multi-streaming capable
High Definition Audio	Integrated Conexant CX5001 Universal Audio Jack with CTIA headset support (re-taskable for headphone/line out/microphone in/line in) Uses OS soft wavetable Two speakers 44.1kHz/48kHz/96kHz/192kHz 44.1kHz/48kHz/96kHz
Webcams	<p>Pop-up Webcam 2MP FHD webcam, Up to 30 frames/sec, discrete dual array microphone (Fixed 2MP FHD 1080p)(maximum resolution of 1920 x1080)</p> <p>IR and Dual-facing Pop-up Web Camera 2MP FHD webcam with IR camera front-facing and 2nd rear-facing 2MP webcam, Up to 30 frames/sec, discrete dual array microphone (Dual Camera 480P IR+1080P RGB Fixed/2MP FHD 1080P Fixed) Supporting Windows10 Hello</p>
Collaboration Keys	Integrated, capacitive touch collaboration keys functions include: Call answer Microphone mute Webcam mute Hang up Speaker mute, and volume slider

Features

KEYBOARDS/POINTING DEVICES/BUTTONS & FUNCTION KEYS

Keyboard

- HP Premium Wireless Keyboard and Mouse
- HP Premium USB Wired Keyboard and Mouse
- HP USB Keyboard and Mouse Healthcare Edition
- HP Wireless Business Slim Keyboard and Mouse
- Keyboards
- HP Premium USB Wired Keyboard
- HP USB Business Slim Keyboard
- HP USB Business Slim Grey Keyboard
- HP USB Business Slim CCID SmartCard Keyboard
- HP USB Business Slim Antimicrobial Keyboard (China Only)
- HP USB Wired Keyboard
- HP Wired Keyboard EPEAT®

Pointing Device

- HP USB 1000dpi Laser Mouse
- HP Grey V2 Mouse
- HP USB Mouse
- HP USB Antimicrobial Mouse (China only)
- HP USB Hardened Mouse
- HP USB PS/2 Wired Washable Mouse

Other

- HP Mouse Pad

Adapters and Cables

- HP DisplayPort Cable
- HP DisplayPort to DVI-D Adapter
- HP DisplayPort to HDMI 4K Adapter
- HP DisplayPort to VGA Adapter
- HP DVI Cable
- HP Type-C to Type-A Hub
- HP USB to Serial Port Adapter
- HP USB-C to USB 3.0 Adapter

Headsets

- HP Business Headset v2
- HP UC Bluetooth® Headset

Technical Specifications

SOFTWARE AND SECURITY

BIOS

HP BIOSphere Gen3 [1]

HP Sure Start Gen3 [1]

HP BIOS Protection (BIOS Update via Network, Master Boot Record Security, Pre-Boot Security, Secure Erase, Hybrid Boot, Measured Boot, Secure Boot, Absolute Persistence Module, Pre-boot Authentication)

Software

HP Native Miracast Support [2]

HP LAN-Wireless Protection

HP SureConnect

HP Velocity

HP ePrint + JetAdvantage [3]

HP Hotkey Support - CMIT

HP Recovery Manager

HP Jumpstart

HP Support Assistant [4]

HP Noise Cancellation Software

HP PhoneWise

Buy Office

Bing Search

Manageability Features

HP Driver Packs

HP System Software Manager

HP BIOS Config Utility (BCU)

HP Client Catalog

HP Management Integration Kit for Microsoft System Center Configuration Manager [5]

LANDESK Management [6]

Client Security Software

HP Client Security Suite Gen 3 [HP Security Manager (HP Credential Manager, HP Password Manager, HP Spare Key), HP Power On Authentication, HP Device Access Manager] [7]

Trusted Platform Module TPM 2.0 Embedded Security Chip (SLB9670 -Common Criteria EAL4 + Certified)

SATA 0,1 port disablement (viaBIOS)

DriveLock

RAID configurations

Serial or USB enable/disable (viaBIOS)

Power-on password (viaBIOS)

Setup password (viaBIOS)

Support for chassis padlocks and cable lock devices

Integrated hood sensor

Microsoft Defender [8]



Technical Specifications

HP Fingerprint Reader
Power On Authentication [9]
HP Password Manager
HP BIOSphere Gen3: Requires Intel® 7th generation processors [1]
Secure Erase [10]
Absolute Persistence Module
Native Miracast Support
HP ePrint Drive + JetAdvantage
HP Support Assistant
Skype
HP Driver Packs [11]
HP Management Integration Kit for Microsoft System Center Configuration Manager

1. HP BIOSphere Gen3: Requires Intel® 7th generation processors
2. Miracast is a wireless technology your PC can use to project your screen to TVs, projectors, and streaming media players that also support Miracast. You can use Miracast to share what you're doing on your PC and present a slide show. For more information:
<http://windows.microsoft.com/en-us/windows-8/project-wireless-screen-miracast>
3. Requires an Internet connection to HP web-enabled printer and HP ePrint account registration (for a list of eligible printers, supported documents and image types and other HP ePrint details, see www.hp.com/go/eprintcenter). Print times and connection speeds may vary
4. Requires Windows and Internet Access
5. HP Management Integration Kit for Microsoft System Center Configuration Manager: HP Management Integration Kit can be downloaded from <http://www8.hp.com/us/en/ads/clientmanagement/overview.html>
6. Subscription required
7. Requires Windows and Intel® 7th generation processors
8. Opt in and internet connection required for updates.
9. HP commercial platforms support password with this feature and fingerprint where applicable
10. For the methods outlined in the National Institute of Standards and Technology Special Publication 800-88. Supported on Elite platforms with BIOS version F.03 or higher
11. Not preinstalled, however available for download at <http://www.hp.com/go/clientmanagement/overview.html>

POWER

Power Supply

External

External 180W

Power Cord

Power cord length: 6.0 ft. (1.83 m)



Technical Specifications

WEIGHTS & DIMENSIONS

Weight

23.8 Non Touch Product Weight (Unboxed)

Without Arm
4.17 kg, 10.3 lb

Without Base
5.19 kg, 11.3 lb

Whole system with Base
8.21 kg, 18.1 lb

23.8 Touch Product Weight (Unboxed)

Without Arm
4.17 kg, 10.3 lb

Without Base
5.26 kg, 11.6 lb

Whole system with Base
8.28 kg, 18.25 lb

23.8 Shipping Weight (Boxed)

System with package weight
12.42 kg , 27.38 lb

23.8 Shipping Weight (Pallet)

Total Weight including pallet
247 kg, 544.54 lb

Dimension

23.8 System Dimensions (including touch, non touch)

Without Base
21.2 x 1.3 x 12.8 in (539.5 x 33 x 324.9 mm)

Base only
15.7 x 7.5 x 1.5 in (400 x 190 x 37 mm)

With Base
21.2 x 7.5 x 16.5 in (539.5 x 190 x 419.2 mm)

23.8 Shipping Dimensions (Boxed)

Package
25.87 x 9.76 x 20.9 in (657 x 248 x 531 mm)

23.8 Shipping Dimensions (Pallet)

Shipping pallet size
45.39 x 35.63 x 68.03 in (1153 x 905 x 1728 mm)

Weight

27 Product Weight (Unboxed)

Without Arm
6.75 kg, 14.9 lb

Without Base
7.25 kg, 16.0 lb



Technical Specifications

	Whole system with Base 10.2 kg, 22.5 lb
27 Shipping Weight (Boxed)	System with package weight 14.62 kg, 32.23 lb (maximum config.)
27 Shipping Weight (Pallet)	Total Weight including pallet 243 kg, 535.72 lb
Dimension	
27 system Dimensions	Without Base 24.15 x 1.19 x 14.44 in (613.3 x 30.5 x 366.7 mm)
	Base only 15.7 x 7.5 x 1.5 in (400 x 190 x 37 mm)
	With Base 24.15 x 7.5 x 18 in (613.3 x 190 x 457.3 mm)
27 Shipping Dimensions (Boxed)	Package 29.71 x 9.57 x 22.52 in (741 x 243 x 572 mm)
27 Shipping Dimensions (Pallet)	Shipping pallet size 43.39 x 38.74 x 62.87 in (1102 x 984 x 1851 mm)
Weight	
34 Product Weight (Unboxed)	Without Arm 6.8 kg, 15.0 lb
	Without Base 7.28 kg, 16 lb
	Whole system with Base 10.3 kg, 22.8 lb
34 Shipping Weight (Boxed)	System with package weight 17.32 kg, 38.14 lb
34 Shipping Weight (Pallet)	Total Weight including pallet 228 kg, 502.65 lb
Dimension	
34 system Dimensions	Without Base 32.1 x 2.9 x 14.44 in (815.8 x 73.8 x 366.7 mm)
	Base only 15.7 x 7.5 x 1.5 in (400 x 190 x 37 mm)



Technical Specifications

34 Shipping Dimensions (Boxed)

With Base

32.1 x 7.5 x 18 in (815.8 x 190 x 457.3 mm)

Package

38.78 x 11.5 x 23.94 in (985 x 292 x 608 mm)

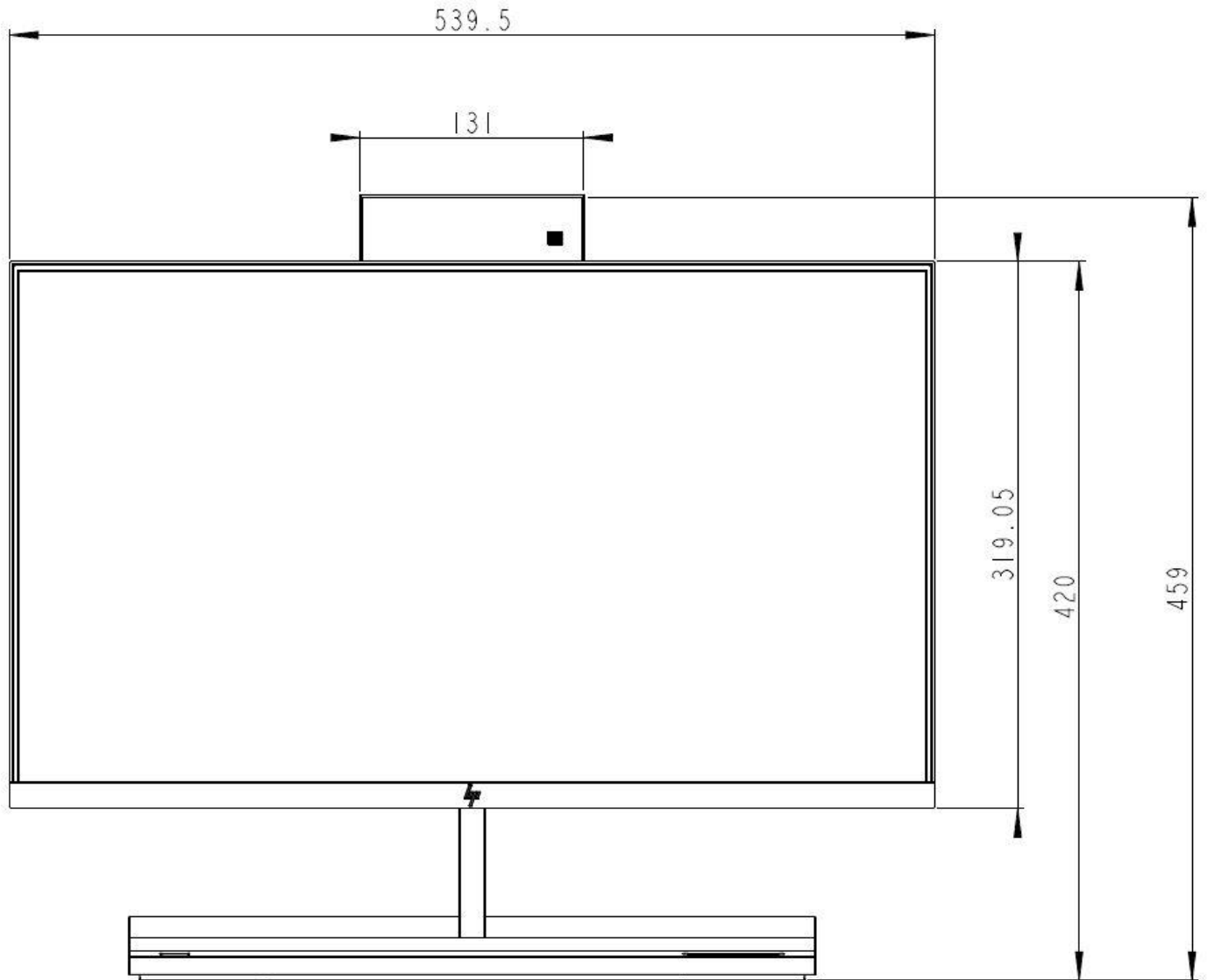
34 Shipping Dimensions (Pallet)

Shipping pallet size

45.98 x 38.74 x 77.13 in (1168 x 984 x 1959 mm)

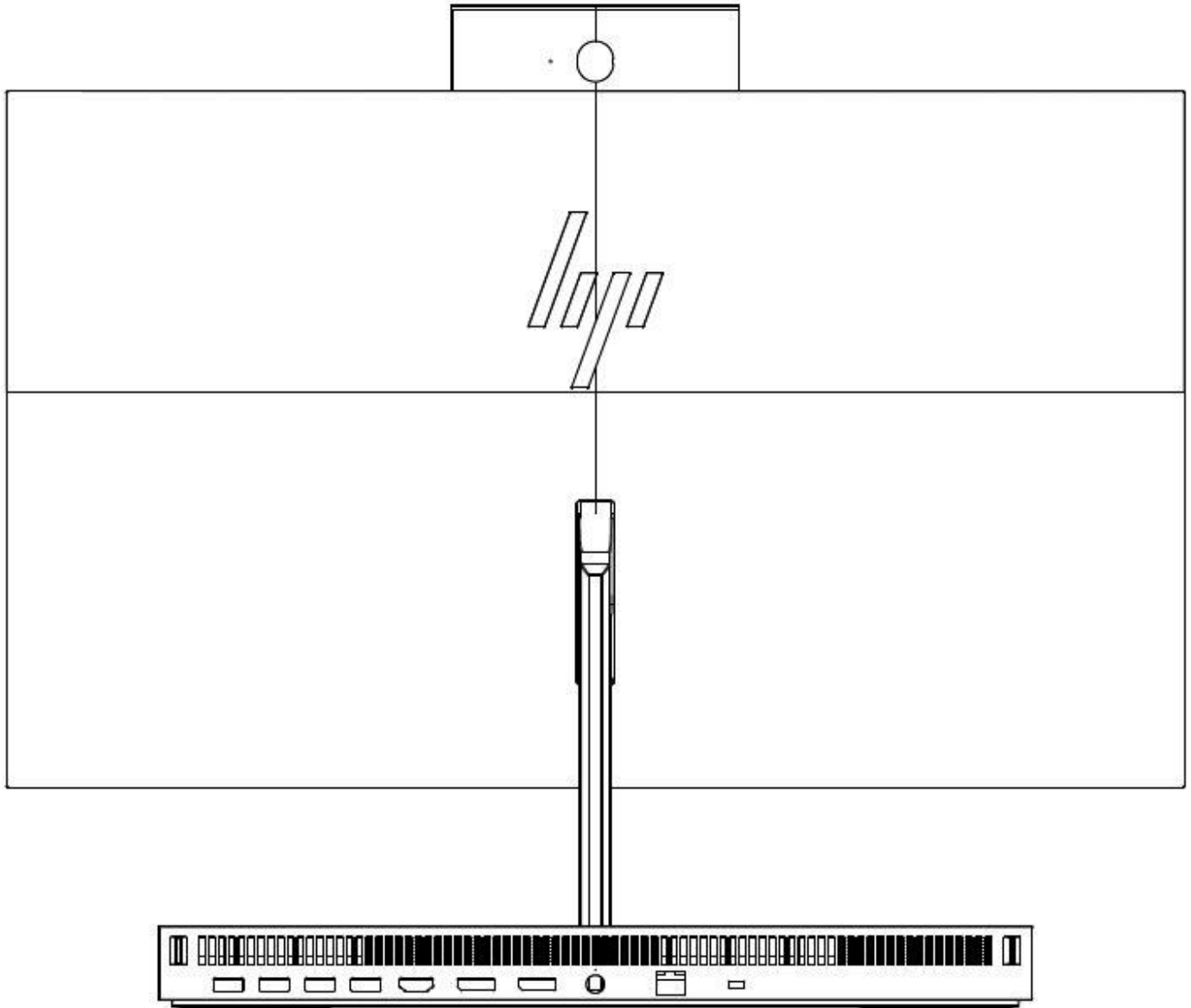
Technical Specifications

HP EliteOne 1000 G1 23.8-in AiO (Touch and NonTouch) Dimensions Front



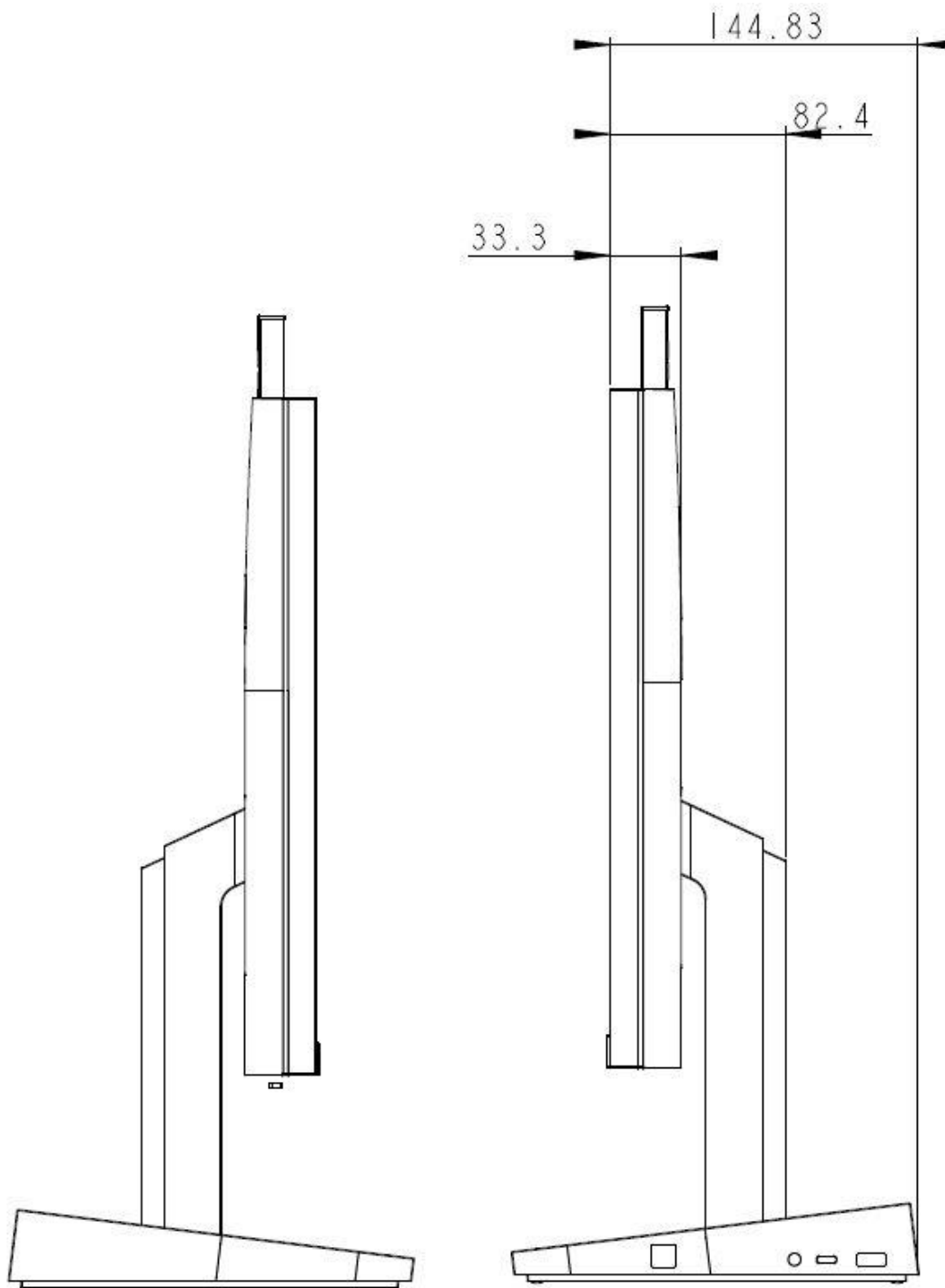
Technical Specifications

HP EliteOne 1000 G1 23.8-in AiO (Touch and NonTouch) Dimensions Rear



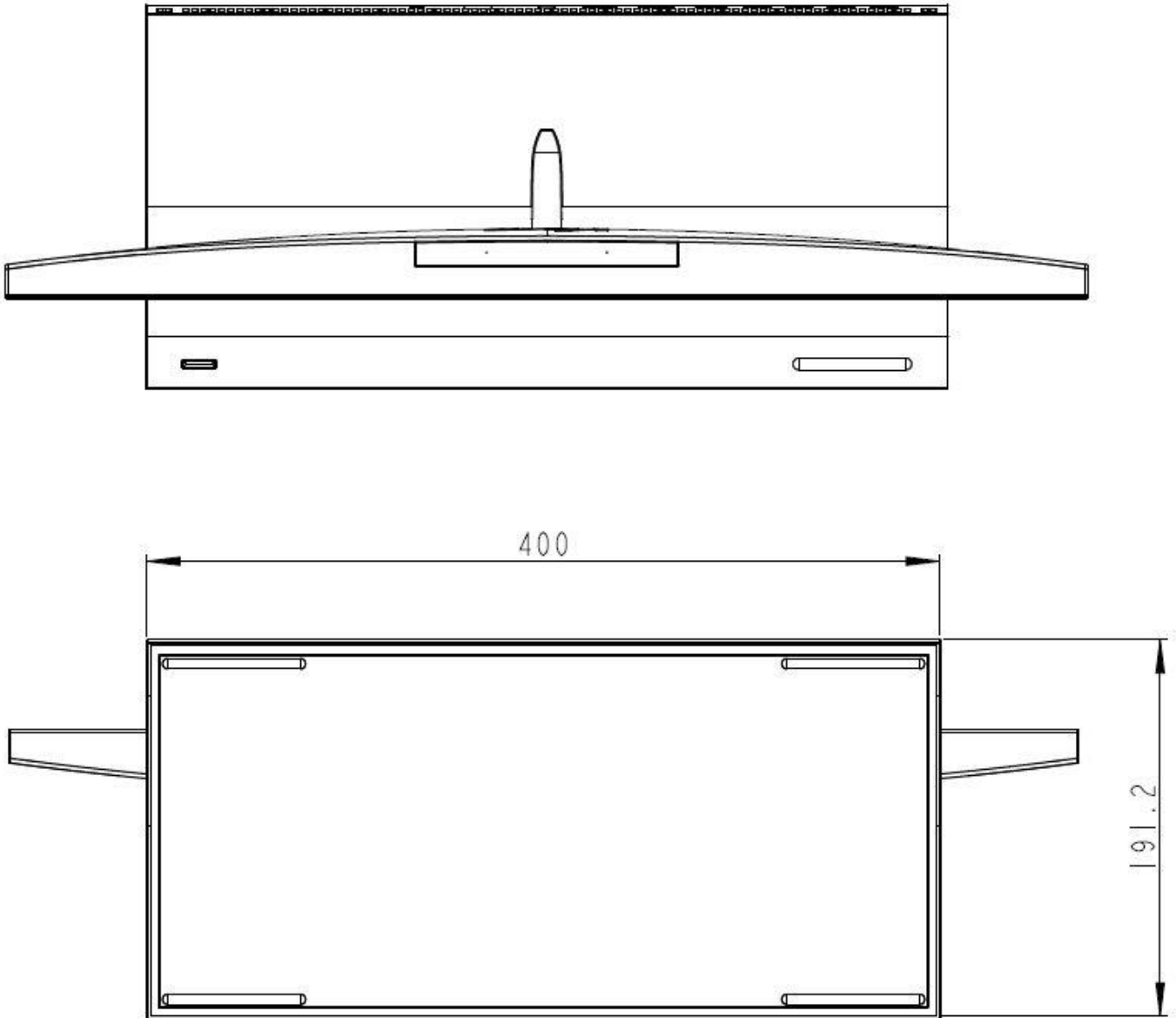
Technical Specifications

HP EliteOne 1000 G1 23.8-in AiO (Touch and NonTouch) Dimensions Side



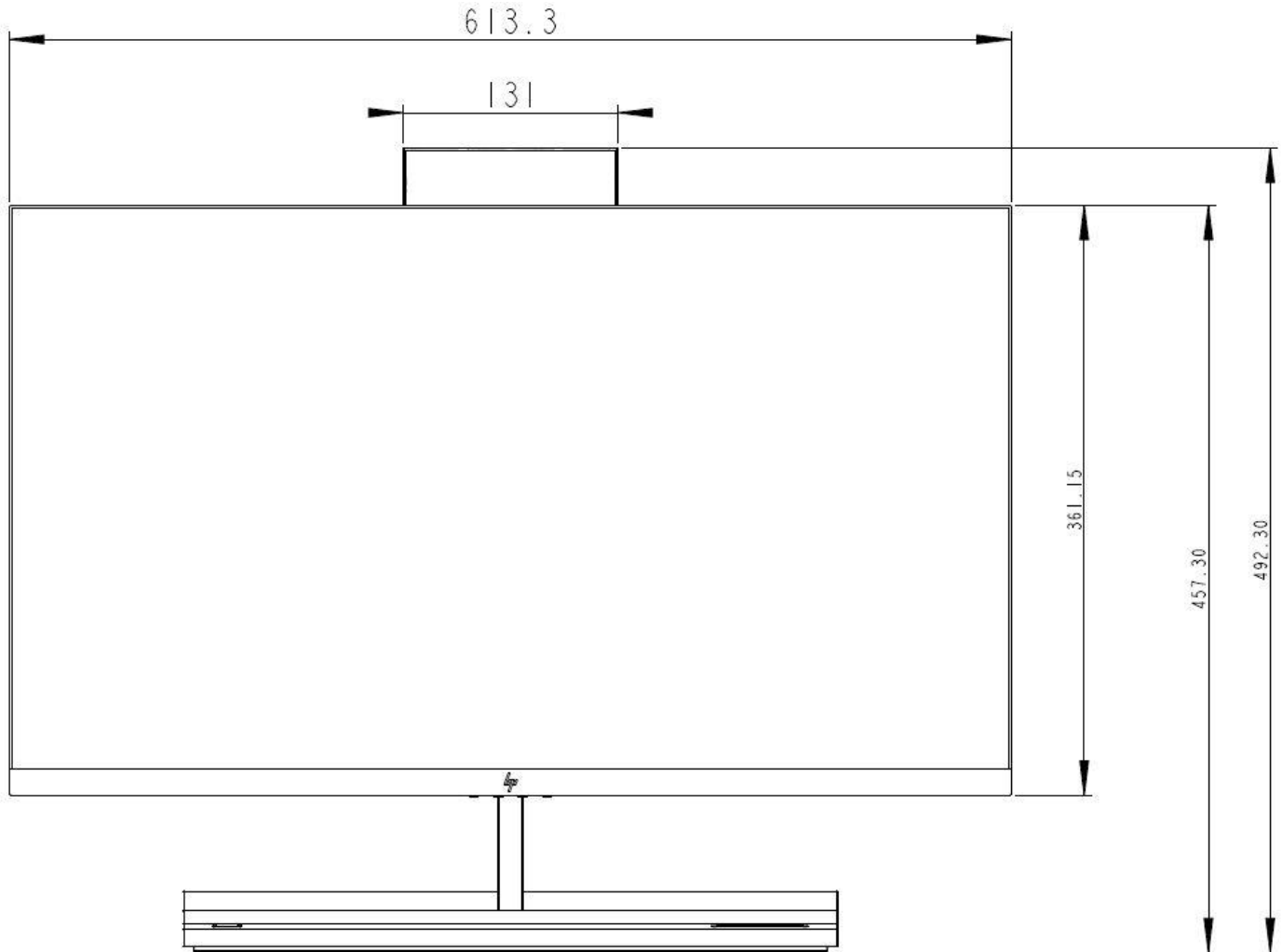
Technical Specifications

HP EliteOne 1000 G1 23.8-in AiO (Touch and NonTouch) Dimensions Top & Bottom



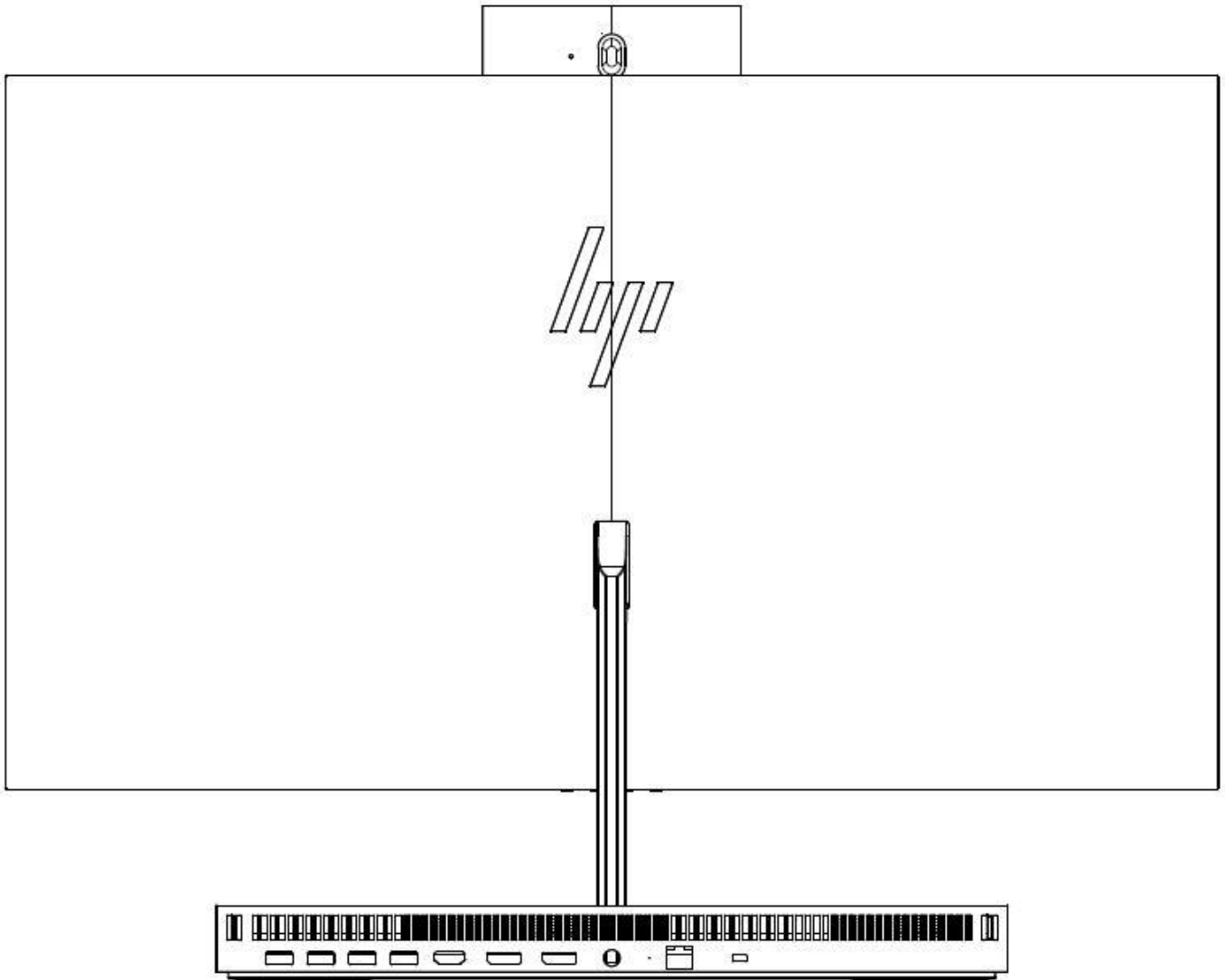
Technical Specifications

HP EliteOne 1000 G1 27-in 4K UHD AiO Dimensions Front



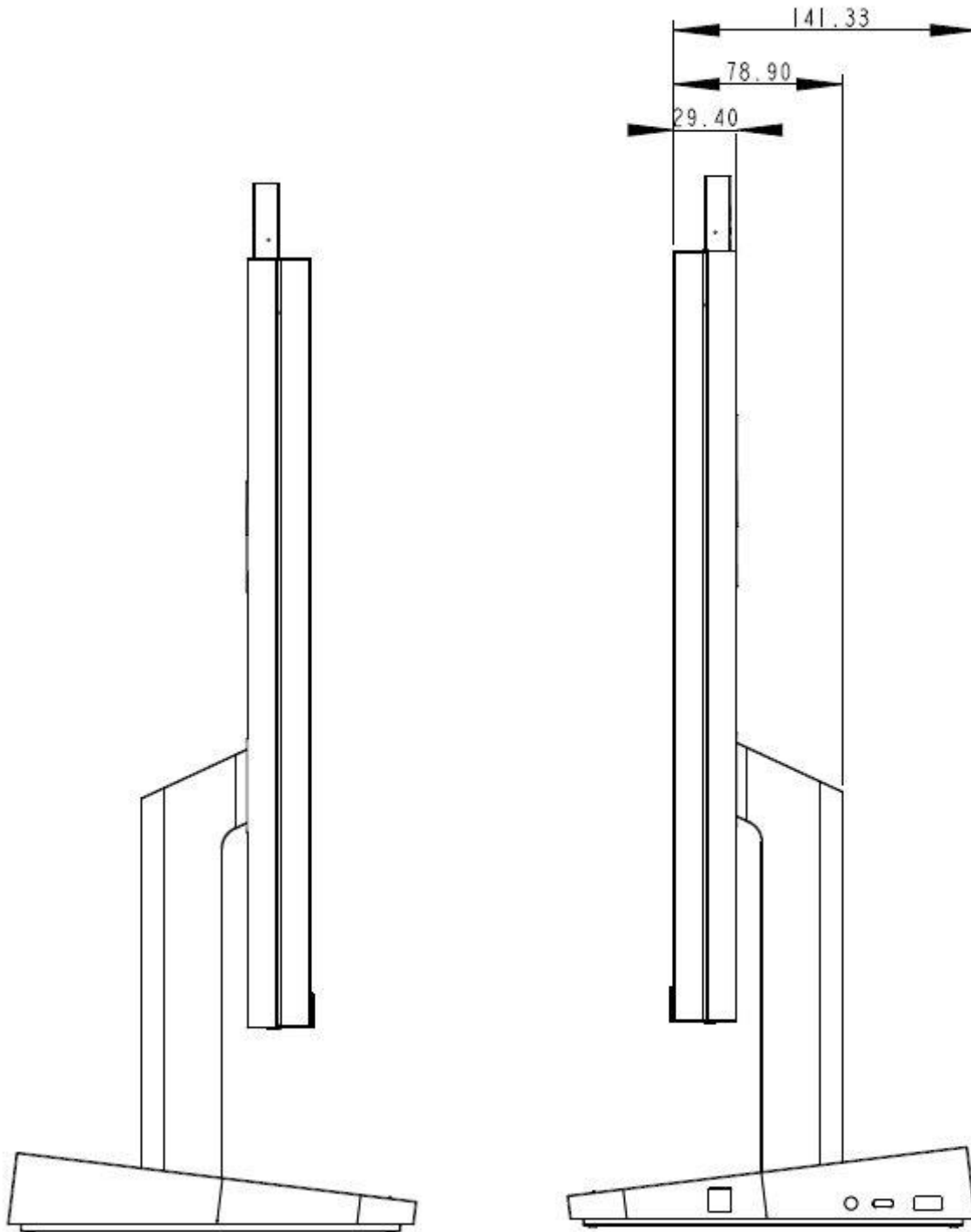
Technical Specifications

HP EliteOne 1000 G1 27-in 4K UHD AiO Dimensions Rear



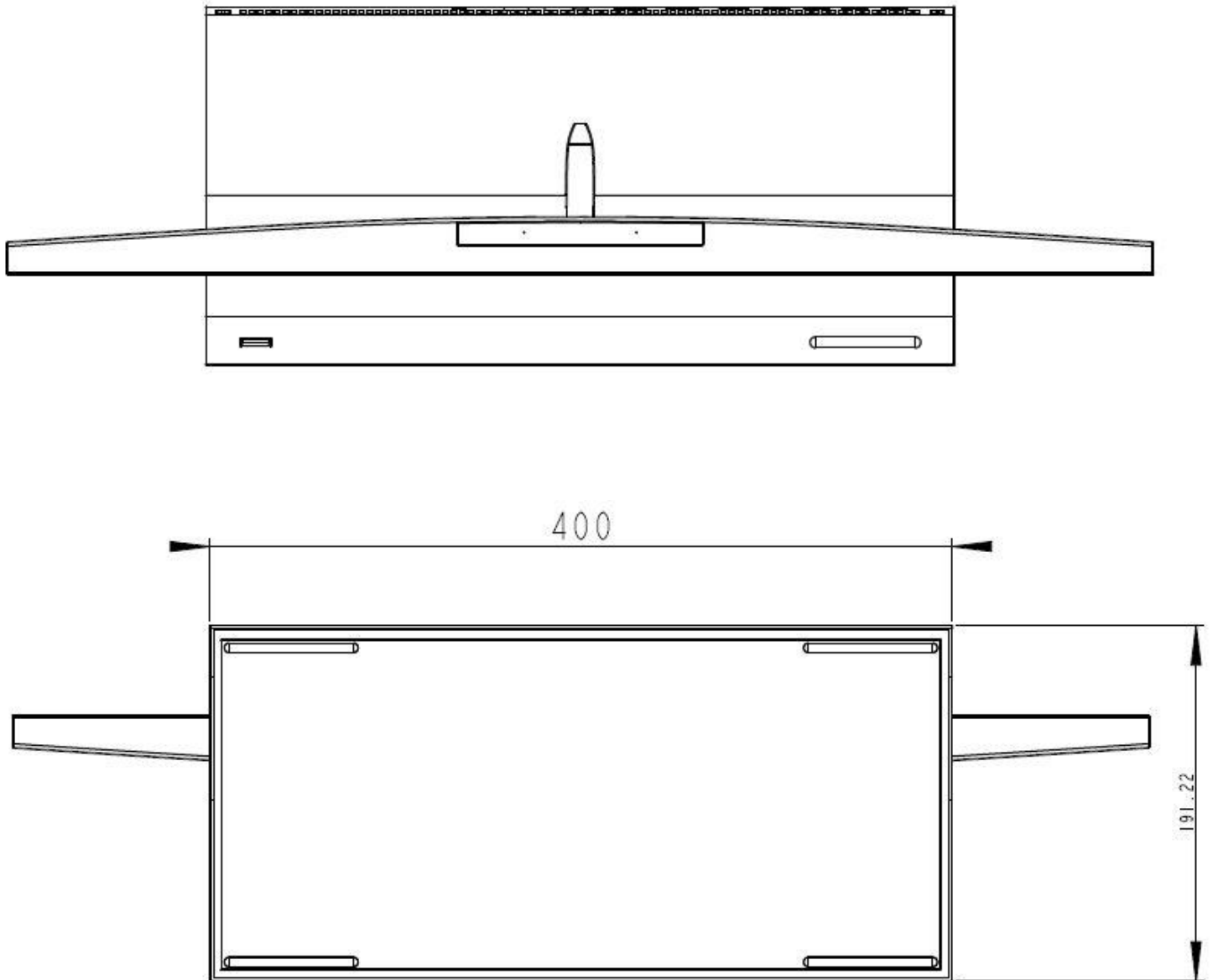
Technical Specifications

HP EliteOne 1000 G1 27-in 4K UHD AiO Dimensions Side



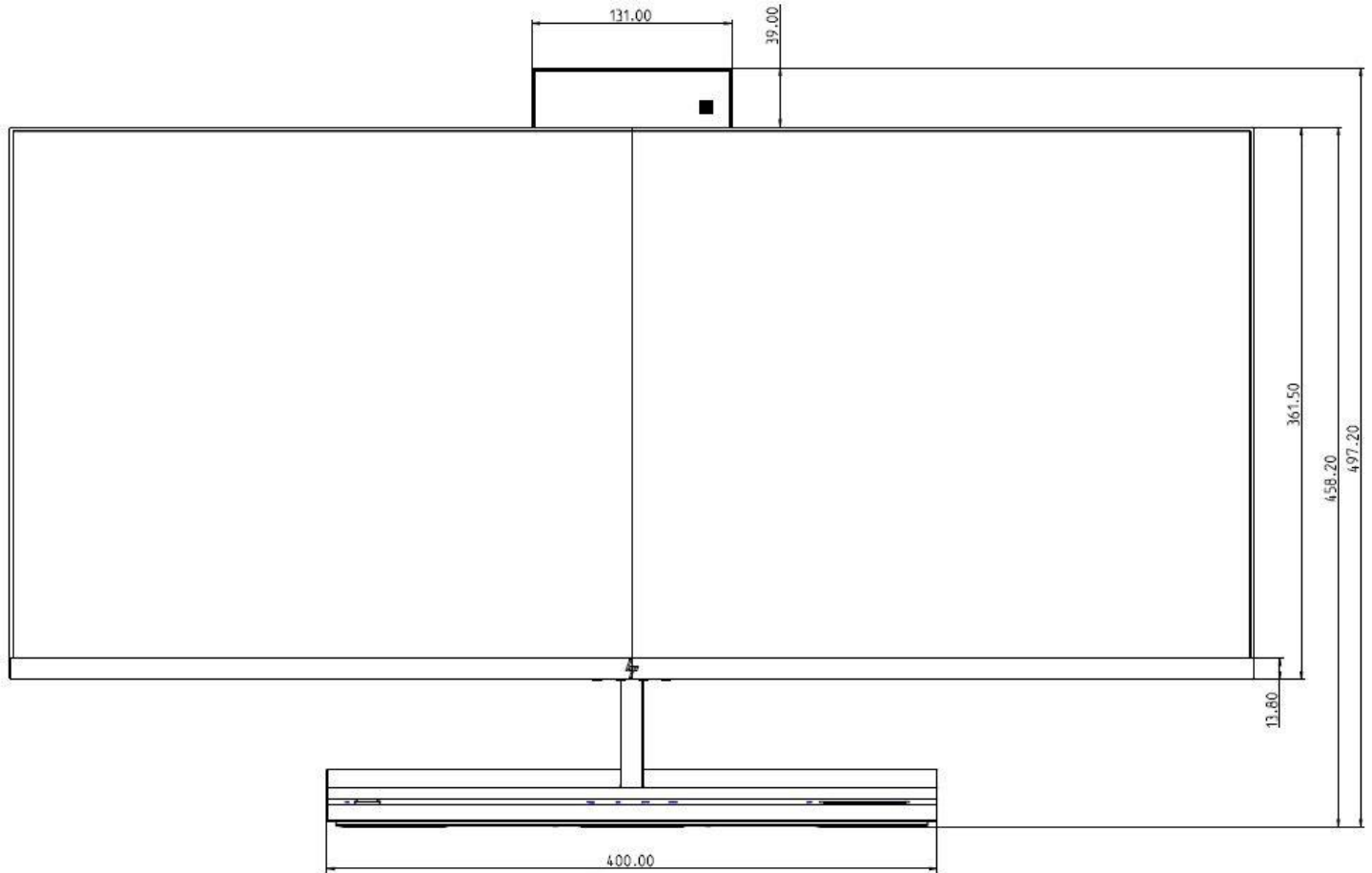
Technical Specifications

HP EliteOne 1000 G1 27-in 4K UHD AiO Dimensions Top & Bottom



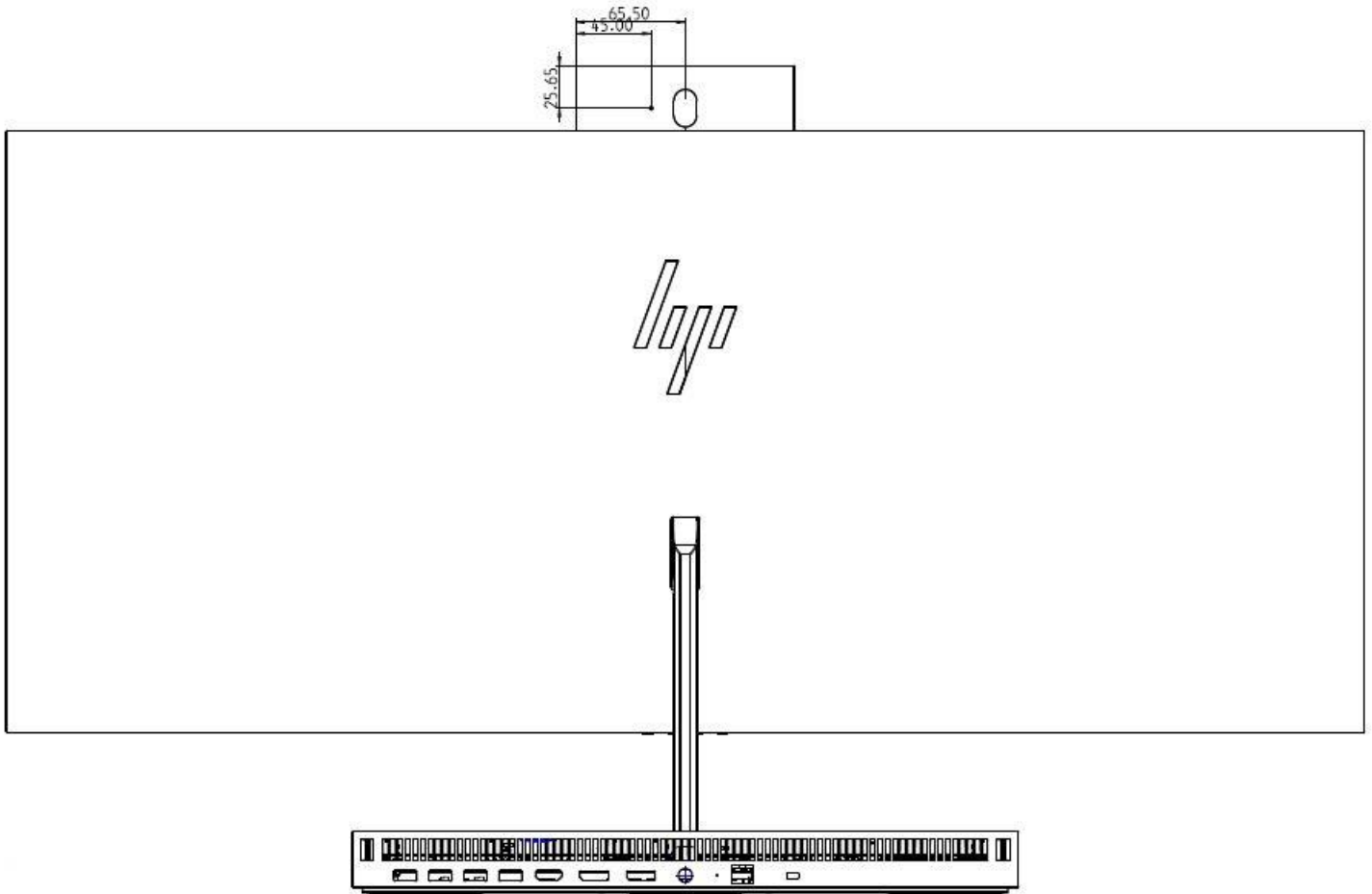
Technical Specifications

HP EliteOne 1000 G1 34-in Curved AiO Dimensions Front



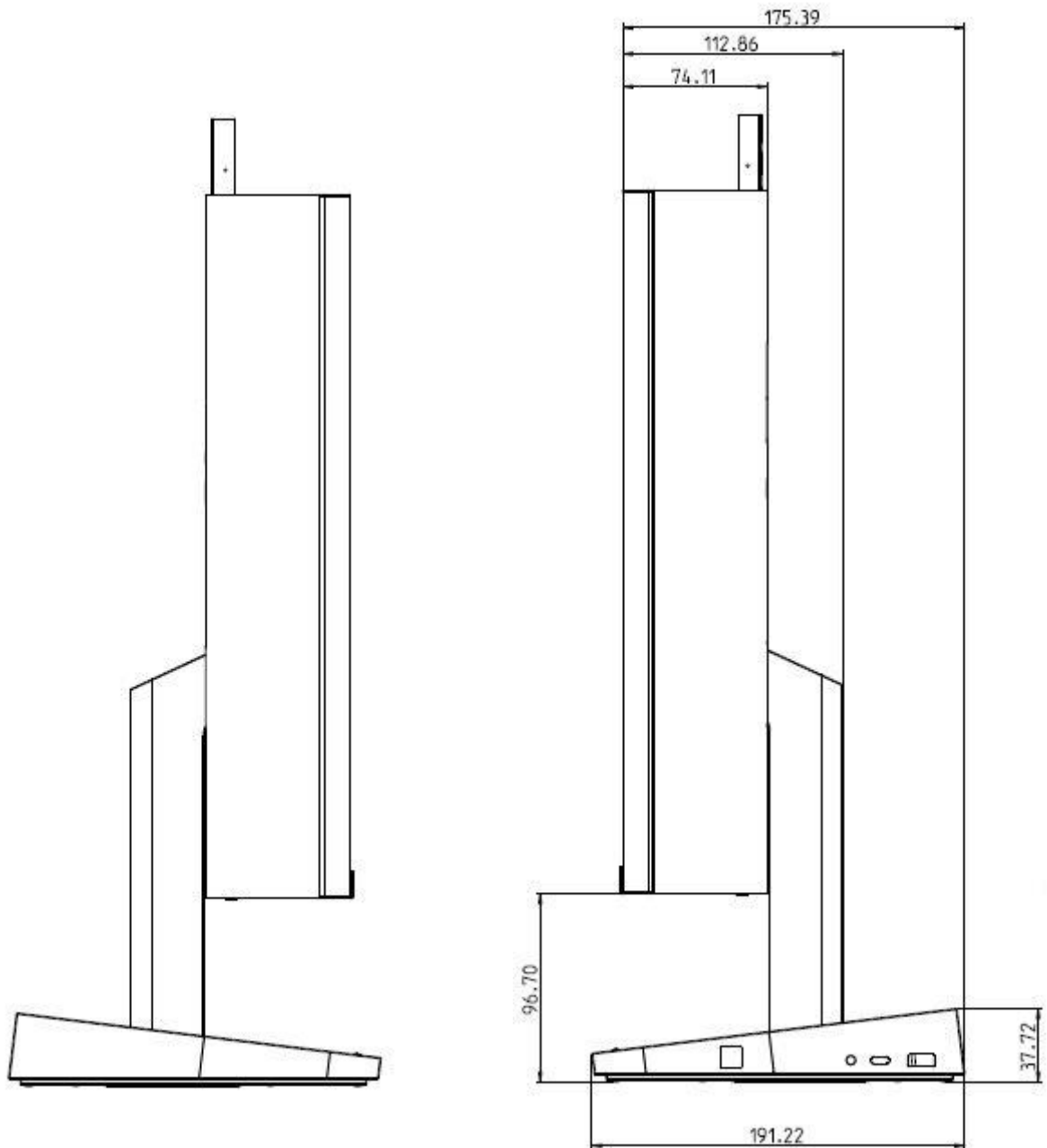
Technical Specifications

HP EliteOne 1000 G1 34-in Curved AiO Dimensions Rear



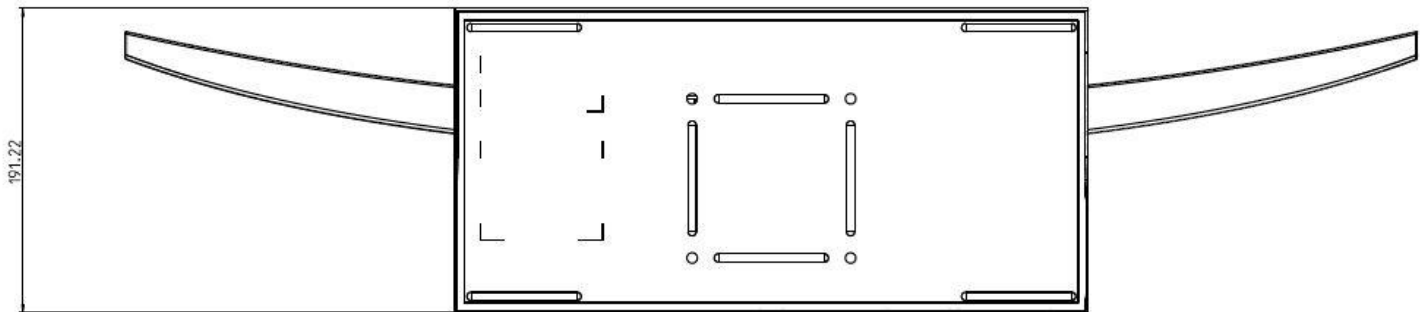
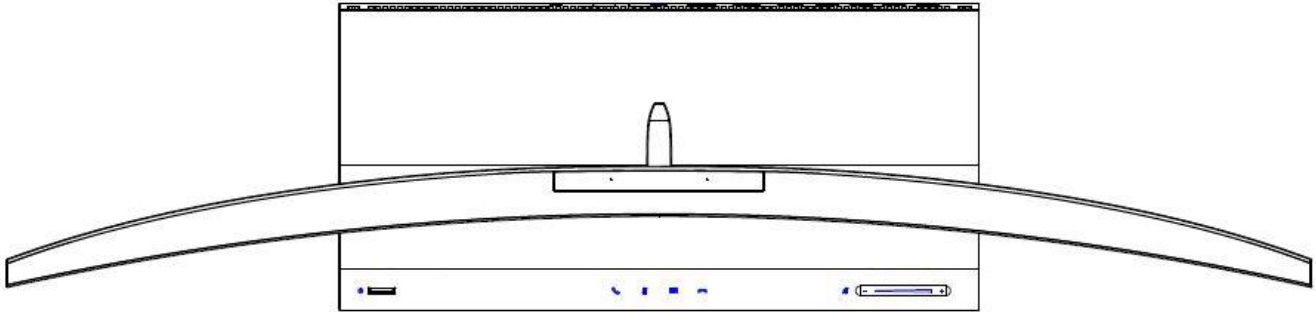
Technical Specifications

HP EliteOne 1000 G1 34-in Curved AiO Dimensions Side



Technical Specifications

HP EliteOne 1000 G1 34-in Curved AiO Dimensions Top & Bottom



Technical Specifications

PORTS/SLOTS

Rear I/O Ports

Type A USB 3.1 Gen1 (Keyboard wake capable)
 Type A USB 3.1 Gen1
 DisplayPort™ 1.2 (out)
 DisplayPort™ 1.2 (in)
 HDMI 2.0a (out)
 RJ45 network interface

Side I/O Ports

Type C USB 3.1 Gen1 (15W)
 Type A USB 3.1 Gen1 (fast charging port)
 Headset side port (3.5mm)

Expansion Slots

M.2 2230 for WLAN
 M.2 2280 for NVMe SSD storage

Bays

2.5" HDD

CERTIFICATION AND COMPLIANCE

ENERGY STAR® certified
 EPEAT® Gold [1]

1. EPEAT® registered where applicable. EPEAT registration varies by country. See <http://www.epeat.net> for registration status by country.

DISPLAYS

**23.8" diagonal IPS
 widescreen WLED Touch
 backlit anti-glare LCD
 (1920 x 1080)**

Type	IPS WLED Backlit LCD
Active area (mm)	527.04 x 296.46
Native Resolution (HxV)	1920 x 1080
Aspect ratio	16:09
Pixel pitch (HxV)(mm)	0.2745 x 0.2745
Contrast ratio (typical)	1000:01:00
Brightness (typical)	250 nits
Viewing angle (typical) (HxV)	178° x 178°
Backlight lamp life (to half brightness)	30,000 hours minimum
Color support	Over 16 million colors
Color gamut (typical)	NTSC 72%
Anti-glare	Yes
Default color temperature	Warm (6500K)



Technical Specifications

**23.8" diagonal IPS
widescreen WLED Non-
touch backlit anti-glare
LCD (1920 x 1080)**

Type	IPS WLED Backlit LCD Non-touch Display
Active area (mm)	527.04 x 296.46
Native Resolution (HxV)	1920 x 1080
Aspect ratio	16:09
Pixel pitch (HxV)(mm)	0.2745 x 0.2745
Contrast ratio (typical)	1000:01:00
Brightness (typical)	250 nits
Viewing angle (typical) (HxV)	178° x 178°
Backlight lamp life (to half brightness)	30,000 hours minimum
Color support	Over 16 million colors
Color gamut (typical)	NTSC 72%
Anti-glare	Yes
Default color temperature	Warm (6500K)

**27" diagonal IPS
widescreen WLED backlit
anti-glare 4K UHD LCD
(3840 x 2160)**

Type	IPS WLED Backlit LCD
Active area (mm)	596.74 x 335.66
Native Resolution (HxV)	3840 x 2160
Aspect ratio	16:09
Pixel pitch (HxV)(mm)	0.1554 x 0.1554
Contrast ratio (typical)	1000:01:00
Brightness (typical)	350 nits
Viewing angle (typical) (HxV)	178° x 178°
Backlight lamp life (to half brightness)	30,000 hours minimum
Color support	Over 1 billion colors
Color gamut (typical)	sRGB 99%
Anti-glare	Yes
Default color temperature	Warm (6500K)

**34" diagonal IPS
widescreen WLED backlit
anti-glare WQHD LCD (3440
x 1440)**

Type	IPS WLED Backlit LCD
Active area (mm)	799.80 x 334.8
Native Resolution (HxV)	3440 x 1440
Aspect ratio	21:09
Pixel pitch (HxV)(mm)	0.2325 x 0.2325
Contrast ratio (typical)	1000:01:00
Brightness (typical)	300 nits
Viewing angle (typical) (HxV)	178° x 178°



Technical Specifications

Backlight lamp life (to half brightness)	30,000 hours minimum
Color support	Over 1 billion colors
Color gamut (typical)	sRGB 99%
Anti-glare	Yes
Default color temperature	Warm (6500K)

1. 34" display not available at launch. Planned availability November 2017.

NOTE: All performance specifications represent the typical specifications provided by HP's component manufacturers; actual performance may vary either higher or lower

STORAGE AND DRIVES

HARD DRIVES

500 GB 7200 RPM SATA Hard Drive

Capacity	500GB
Rotational Speed	7,200 RPM
Interface	SATA 6 Gb/s
Buffer Size	16 MB
Logical Blocks	976,773,168
Seek Time	12 ms (Average)
Height	0.267 in/6.8 mm (nominal)
Width	2.75 in/70 mm (nominal)
Operating Temperature	41° to 131° F (5° to 55° C)

NOTE: For hard drives and solid state drives, GB = 1 billion bytes. TB = 1 trillion bytes. Actual formatted capacity is less. Up to 36 GB (for Windows 10) of system disk is reserved for the system recovery software.

1 TB 7200 RPM SATA Hard Drive

Capacity	1TB
Rotational Speed	7,200 RPM
Interface	SATA 6 Gb/s
Buffer Size	32 MB
Logical Blocks	1,953,525,168
Seek Time	12 ms (Average)
Height	0.374 in/9.5 mm (nominal)
Width	2.75 in/70 mm (nominal)
Operating Temperature	41° to 131° F (5° to 55° C)

NOTE: For hard drives and solid state drives, GB = 1 billion bytes. TB = 1 trillion bytes. Actual formatted capacity is less. Up to 36 GB (for Windows 10) of system disk is reserved for the system recovery software.

500 GB 5400 RPM Solid State Hybrid Drive

Capacity	500GB
Rotational Speed	5,400 RPM
Drive Type	Solid State Hybrid Drive (SSHD) technology with NAND Flash
Interface	SATA 6 Gb/s
Buffer Size	64 MB



Technical Specifications

NAND Flash	8GB
Seek Time	12 ms (Average)
Height	0.267 in/6.8 mm (nominal)
Width	2.75 in/70 mm (nominal)
Operating Temperature	41° to 131° F (5° to 55° C)

NOTE: For hard drives and solid state drives, GB = 1 billion bytes. TB = 1 trillion bytes. Actual formatted capacity is less. Up to 36 GB (for Windows 10) of system disk is reserved for the system recovery software.

1 TB 5400 RPM Solid State Hybrid Drive	Capacity	1TB
	Rotational Speed	5,400 RPM
	Drive Type	Solid State Hybrid Drive (SSHD) technology with NAND Flash
	Interface	SATA 6 Gb/s
	Buffer Size	64 MB
	NAND Flash	8GB
	Seek Time	12 ms (Average)
	Height	0.374 in/9.5 mm (nominal)
	Width	2.75 in/70 mm (nominal)
Operating Temperature	41° to 131° F (5° to 55° C)	

NOTE: For hard drives and solid state drives, GB = 1 billion bytes. TB = 1 trillion bytes. Actual formatted capacity is less. Up to 36 GB (for Windows 10) of system disk is reserved for the system recovery software.

2 TB 5400 RPM Solid State Hybrid Drive	Capacity	2TB
	Rotational Speed	5,400 RPM
	Drive Type	Solid State Hybrid Drive (SSHD) technology with NAND Flash
	Interface	SATA 6 Gb/s
	Buffer Size	128 MB
	NAND Flash	8GB
	Seek Time	12 ms (Average)
	Height	0.374 in/9.5 mm (nominal)
	Width	2.75 in/70 mm (nominal)
Operating Temperature	41° to 131° F (5° to 55° C)	

NOTE: For hard drives and solid state drives, GB = 1 billion bytes. TB = 1 trillion bytes. Actual formatted capacity is less. Up to 36 GB (for Windows 10) of system disk is reserved for the system recovery software.

2 TB 5400 RPM SATA Hard Drive	Capacity	2TB
	Rotational Speed	5,400 RPM
	Interface	SATA 6 Gb/s
	Buffer Size	128MB
	Logical Blocks	3,907,050,336
	Seek Time	12 ms (Average)
	Height	0.374 in/9.5 mm (nominal)
	Width	2.75 in/70 mm (nominal)
	Operating Temperature	41° to 131° F (5° to 55° C)

NOTE: For hard drives and solid state drives, GB = 1 billion bytes. TB = 1 trillion bytes. Actual formatted capacity is less. Up to 36 GB (for Windows 10) of system disk is reserved for the system recovery software.



Technical Specifications

500 GB SED Solid State Drive	Capacity	500GB
	Architecture	Self-Encrypting (SED) Solid State Drive with SATA interface
	Interface	SATA 6 Gb/s
	Buffer Size	16 MB
	Logical Blocks	976,773,168
	Seek Time	12 ms (Average)
	Height	0.267 in/6.8 mm (nominal)
	Width	2.75 in/70 mm (nominal)
	Operating Temperature	41° to 131° F (5° to 55° C)

NOTE: For hard drives and solid state drives, GB = 1 billion bytes. TB = 1 trillion bytes. Actual formatted capacity is less. Up to 36 GB (for Windows 10) of system disk is reserved for the system recovery software.

128 GB SATA TLC Solid State Drive	Drive Weight	Up to 50g (0.11lb)
	Capacity	128GB
	Height	7mm (0.276in)
	Width	70mm (2.756 in)
	Interface	SATA 3.0 (6Gb/s)
	Performance	
	Maximum Sequential Read	Up to 530MB/s
	Maximum Sequential Write	Up to 450MB/s
	Logical Blocks	250,069,680
	Operating Temperature	0° to 70°C (32° to 158°F) [ambient temp]
Features	DIPM; TRIM;	

NOTE: For hard drives and solid state drives, GB = 1 billion bytes. TB = 1 trillion bytes. Actual formatted capacity is less. Up to 36 GB (for Windows 10) of system disk is reserved for the system recovery software.

256 GB SATA TLC Solid State Drive	Drive Weight	Up to 50g (0.11lb)
	Capacity	256GB
	Height	7mm (0.276in)
	Width	70mm (2.756 in)
	Interface	SATA 3.0 (6Gb/s)
	Performance	
	Maximum Sequential Read	Up to 540MB/s
	Maximum Sequential Write	Up to 500MB/s
	Logical Blocks	500,118,192
	Operating Temperature	0° to 70°C (32° to 158°F) [ambient temp]
Features	DIPM; TRIM;	

NOTE: For hard drives and solid state drives, GB = 1 billion bytes. TB = 1 trillion bytes. Actual formatted capacity is less. Up to 36 GB (for Windows 10) of system disk is reserved for the system recovery software.

Technical Specifications

512 GB SATA TLC Solid State Drive

Drive Weight	Up to 50g (0.11lb)
Capacity	512GB
Height	7mm (0.276in)
Width	70mm (2.756 in)
Interface	SATA 3.0 (6Gb/s)
Performance	
Maximum Sequential Read	Up to 540MB/s
Maximum Sequential Write	Up to 500MB/s
Logical Blocks	1,000,215,216
Operating Temperature	0° to 70°C (32° to 158°F) [ambient temp]
Features	DIPM; TRIM;

NOTE: For hard drives and solid state drives, GB = 1 billion bytes. TB = 1 trillion bytes. Actual formatted capacity is less. Up to 36 GB (for Windows 10) of system disk is reserved for the system recovery software.

256 GB SATA TLC SED OPAL2 Solid State Drive

Drive Weight	Up to 50g (0.11lb)
Capacity	256GB
Height	7mm (0.276in)
Width	70mm (2.756 in)
Interface	SATA 3.0 (6Gb/s)
Performance	
Maximum Sequential Read	Up to 540MB/s
Maximum Sequential Write	Up to 500MB/s
Logical Blocks	500,118,192
Operating Temperature	0° to 70°C (32° to 158°F) [ambient temp]
Features	DIPM; TRIM; Self Encrypting Drive with OPAL2.0

NOTE: For hard drives and solid state drives, GB = 1 billion bytes. TB = 1 trillion bytes. Actual formatted capacity is less. Up to 36 GB (for Windows 10) of system disk is reserved for the system recovery software.

512 GB SATA TLC SED OPAL2 Solid State Drive

Drive Weight	Up to 50g (0.11lb)
Capacity	512GB
Height	7mm (0.276in)
Width	70mm (2.756 in)
Interface	SATA 3.0 (6Gb/s)
Performance	
Maximum Sequential Read	Up to 540MB/s
Maximum Sequential Write	Up to 500MB/s
Logical Blocks	1,000,215,216
Operating Temperature	0° to 70°C (32° to 158°F) [ambient temp]
Features	DIPM; TRIM; Self Encrypting Drive with OPAL2.0

NOTE: For hard drives and solid state drives, GB = 1 billion bytes. TB = 1 trillion bytes. Actual formatted capacity is less. Up to 36 GB (for Windows 10) of system disk is reserved for the system recovery software.

Technical Specifications

256 GB SATA TLC FIPS 140-2 SED Solid State Drive	Drive Weight	Up to 50g (0.11lb)
	Capacity	256GB
	Height	7mm (0.276in)
	Width	70mm (2.756 in)
	Interface	SATA 3.0 (6Gb/s)
	Performance	
	Maximum Sequential Read	Up to 540MB/s
	Maximum Sequential Write	Up to 500MB/s
	Logical Blocks	500,118,192
	Operating Temperature	0° to 70°C (32° to 158°F) [ambient temp]
	Features	DIPM; TRIM; FIPS 140-2

NOTE: For hard drives and solid state drives, GB = 1 billion bytes. TB = 1 trillion bytes. Actual formatted capacity is less. Up to 36 GB (for Windows 10) of system disk is reserved for the system recovery software.

512GB 2.5" SATA-3 TLC FIPS 140-2 SED Solid State Drive	Drive Weight	Up to 50g (0.11lb)
	Capacity	512GB
	Height	7mm (0.276in)
	Width	70mm (2.756 in)
	Length	80mm (3.15in)
	Interface	SATA 3.0 (6Gb/s)
	Performance	
	Maximum Sequential Read	Up to 540MB/s
	Maximum Sequential Write	Up to 500MB/s
	Logical Blocks	1,000,215,216
	Operating Temperature	0° to 70°C (32° to 158°F) [ambient temp]
Features	DIPM; TRIM; FIPS 140-2	

NOTE: For hard drives and solid state drives, GB = 1 billion bytes. TB = 1 trillion bytes. Actual formatted capacity is less. Up to 36 GB (for Windows 10) of system disk is reserved for the system recovery software.

256GB M.2 PCIE NVME Solid State Drive	Drive Weight	Up to 10g (0.022lb)
	Capacity	256GB
	Height	2.38mm (0.093in)
	Width	22mm (0.87in)
	Length	80mm (3.15in)
	Interface	PCIE Gen3
	Performance	
	Maximum Sequential Read	Up to 1600MB/s
	Maximum Sequential Write	Up to 550MB/s
	Logical Blocks	500,118,192
	Operating Temperature	0° to 70°C (32° to 158°F) [ambient temp]
Features	APST; ASPM L1.2; NVME spec 1.2	

NOTE: For hard drives and solid state drives, GB = 1 billion bytes. TB = 1 trillion bytes. Actual formatted capacity is less. Up to 36 GB (for Windows 10) of system disk is reserved for the system recovery software.

Technical Specifications

512GB M.2 PCIe NVME Solid State Drive	Drive Weight	Up to 10g (0.022lb)
	Capacity	512GB
	Height	2.38mm (0.093in)
	Width	22mm (0.87in)
	Length	80mm (3.15in)
	Interface	PCIe Gen3
	Performance	
	Maximum Sequential Read	Up to 1800MB/s
	Maximum Sequential Write	Up to 550MB/s
	Logical Blocks	1,000,215,216
	Operating Temperature	0° to 70°C (32° to 158°F) [ambient temp]
	Features	APST; ASPM L1.2; NVME spec 1.2

NOTE: For hard drives and solid state drives, GB = 1 billion bytes. TB = 1 trillion bytes. Actual formatted capacity is less. Up to 36 GB (for Windows 10) of system disk is reserved for the system recovery software.

256GB M.2 PCIe NVME TLC Solid State Drive	Drive Weight	Up to 10g (0.022lb)
	Capacity	256GB
	Height	2.38mm (0.093in)
	Width	22mm (0.87in)
	Length	80mm (3.15in)
	Interface	PCIe Gen3 x 4
	Performance	
	Maximum Sequential Read	Up to 2700MB/s
	Maximum Sequential Write	Up to 1100MB/s
	Logical Blocks	500,118,192
	Operating Temperature	0° to 70°C (32° to 158°F) [ambient temp]
	Features	APST; ASPM L1.2; NVME spec 1.2

NOTE: For hard drives and solid state drives, GB = 1 billion bytes. TB = 1 trillion bytes. Actual formatted capacity is less. Up to 36 GB (for Windows 10) of system disk is reserved for the system recovery software.

512GB M.2 PCIe NVME TLC Solid State Drive	Drive Weight	Up to 10g (0.022lb)
	Capacity	512GB
	Height	2.38mm (0.093in)
	Width	22mm (0.87in)
	Length	80mm (3.15in)
	Interface	PCIe Gen3 x 4
	Performance	
	Maximum Sequential Read	Up to 2700MB/s
	Maximum Sequential Write	Up to 1400MB/s
	Logical Blocks	1,000,215,216
	Operating Temperature	0° to 70°C (32° to 158°F) [ambient temp]
	Features	APST; ASPM L1.2; NVME spec 1.2

NOTE: For hard drives and solid state drives, GB = 1 billion bytes. TB = 1 trillion bytes. Actual formatted capacity is less. Up to 36 GB (for Windows 10) of system disk is reserved for the system recovery software.



Technical Specifications

1TB M.2 PCIE NVME TLC Solid State Drive	Drive Weight	Up to 10g (0.022lb)
	Capacity	1TB
	Height	2.38mm (0.093in)
	Width	22mm (0.87in)
	Length	80mm (3.15in)
	Interface	PCIE Gen3 x 4
	Performance	
	Maximum Sequential Read	Up to 2700MB/s
	Maximum Sequential Write	Up to 1500MB/s
	Logical Blocks	2,000,409,264
	Operating Temperature	0° to 70°C (32° to 158°F) [ambient temp]
	Features	APST; ASPM L1.2; NVME spec 1.2

NOTE: 1MB = 1,000,000 Bytes, 1GB = 1,000,000,000 Bytes

NETWORKING/COMMUNICATIONS

Intel® I219LM Gigabit Network Connection LOM (standard)	Connector	RJ-45
	System Interface	PCIe + SMBus
	Controller	Intel® I219LM Gigabit Ethernet Controller
	Data rates supported	Supports operation at 10/100/1000 Mb/s data rates
	IEEE Compliance	<ul style="list-style-type: none"> • IEEE 802.3 Ethernet interface for 1000BASE-T, 100BASE-TX, and 10BASE-T applications (802.3ab, 802.3u, and 802.3i, respectively) • IEEE 802.3az support [Low Power Idle (LPI) mode] • IEEE 802.3u auto-negotiation conformance
	Performance	<ul style="list-style-type: none"> • Jumbo Frames (up to 9 kB) • 802.1Q & 802.1p • Receive Side Scaling (RSS) • Two Queues (Tx & Rx)
	Power	<ul style="list-style-type: none"> • Ultra Low Power at cable disconnect (<1 mW) enables platform support for connected standby • Reduced power consumption during normal operation and power down modes • Integrated Intel® Auto Connect Battery Saver (ACBS) • Single-pin LAN Disable for easier BIOS implementation • Fully integrated Switching Voltage Regulator (iSVR) • Low Power Link-Up (LPLU)
	MAC/PHY Interconnect	<ul style="list-style-type: none"> • PCIe-based interface for active state operation (S0 state) • SMBus-based interface for host and management traffic (Sx low power state)
	Management Interface	MDC/MDIO management interface
	Security & Manageability	Intel® vPro™ support with appropriate Intel® chipset components



Technical Specifications

WLAN

<p>Intel® 7265 802.11a/b/g/n/ac (2x2) Wi-Fi and Bluetooth® 4.2 Combo [1]</p>	<p>Wireless LAN Standards</p>	<p>IEEE 802.11a IEEE 802.11b IEEE 802.11g IEEE 802.11n IEEE 802.11ac</p>
	<p>Interoperability</p>	
	<p>Frequency Band</p>	<p>802.11b/g/n</p> <ul style="list-style-type: none"> • 2.402 – 2.482 GHz <p>802.11a/n</p> <ul style="list-style-type: none"> • 4.9 – 4.95 GHz (Japan) • 5.15 – 5.25 GHz • 5.25 – 5.35 GHz • 5.47 – 5.725 GHz • 5.825 – 5.850 GHz
	<p>Data Rates</p>	<ul style="list-style-type: none"> • 802.11b: 1, 2, 5.5, 11 Mbps • 802.11g: 6, 9, 12, 18, 24, 36, 48, 54 Mbps • 802.11a: 6, 9, 12, 18, 24, 36, 48, 54 Mbps • 802.11n: MCS 0 ~ MCS 15, (20MHz, and 40MHz) • 802.11ac : MCS0 ~ MCS9, (1SS and 2SS) (20MHz, 40MHz, and 80MHz)
	<p>Modulation</p>	<p>Direct Sequence Spread Spectrum BPSK, QPSK, CCK, 16-QAM, 64-QAM, 256-QAM</p>
	<p>Security¹</p>	<ul style="list-style-type: none"> • IEEE and Wi-Fi compliant 64 / 128 bit WEP encryption for a/b/g mode only • AES-CCMP: 128 bit in hardware • 802.1x authentication • WPA, WPA2: 802.1x. WPA-PSK, WPA2-PSK, TKIP, and AES. • WPA2 certification • IEEE 802.11i • Cisco Certified Extensions, all versions through CCX4 and CCX Lite • WAPI
	<p>Network Architecture</p>	<p>Ad-hoc (Peer to Peer)</p>
	<p>Models</p>	<p>Infrastructure (Access Point Required)</p>
	<p>Roaming</p>	<p>IEEE 802.11 compliant roaming between access points</p>
	<p>Output Power^[2]</p>	<ul style="list-style-type: none"> • 802.11b : +14dBm minimum • 802.11g : +12dBm minimum • 802.11a : +12dBm minimum • 802.11n HT20(2.4GHz) : +12dBm minimum • 802.11n HT40(2.4GHz) : +12dBm minimum • 802.11n HT20(5GHz) : +10dBm minimum • 802.11n HT40(5GHz) : +10dBm minimum • 802.11ac VHT80M(5GHz) : +10dBm minimum
	<p>Power Consumption</p>	<p>Transmit: 2.0 W (max) Receive: 1.6 W (max) Idle mode (PSP): 180 mW (WLAN Associated) Idle mode: 50 mW (WLAN unassociated)</p>



Technical Specifications

	Connect Standby: 10 mW (WLAN+BT) Radio disabled: 8 mW
Power Management	ACPI and PCI Express compliant power management 802.11 compliant power saving mode
Receiver Sensitivity[3]	802.11b, 1Mbps : -93.5dBm maximum 802.11b, 11Mbps : -84dBm maximum 802.11a/g, 6Mbps : -86dBm maximum 802.11a/g, 54Mbps : -72dBm maximum 802.11n, MCS07 : -67dBm maximum 802.11n, MCS15 : -64dBm maximum 802.11ac, MCS0 : -84dBm maximum 802.11ac, MCS9 : -59dBm maximum
Antenna type	High efficiency antenna with spatial diversity, mounted in the display enclosure Two embedded dual band 2.4/5 GHz antennas are provided to the card to support WLAN MIMO communications and Bluetooth communications
Form Factor	PCI-Express M.2 MiniCard
Dimensions	Type 2230 : 2.3 x 22.0 x 30.0 mm
Weight	Type 2230 : 2.8g
Operating Voltage	3.3v +/- 9%
Temperature	Operating 14° to 158° F (-10° to 70° C) Non-operating -40° to 176° F (-40° to 80° C)
Humidity	Operating 10% to 90% (non-condensing) Non-operating 5% to 95% (non-condensing)
Altitude	Operating 0 to 10,000 ft (3,048 m) Non-operating 0 to 50,000 ft (15,240 m)
LED Activity	LED Amber – Radio OFF; LED White – Radio ON
	<ol style="list-style-type: none"> 1. Check latest software/driver release for updates on supported security features. 2. Maximum output power may vary by country according to local regulations. 3. Receiver sensitivity is measured at a packet error rate of 8% for 802.11b (CKK modulation) and a packet error rate of 10% for 802.11a/g (OFDM modulation).
HP Integrated Module with Bluetooth 4.0/4.1/4.2 Wireless Technology	
Bluetooth Specification	4.0/4.1/4.2 Compliant
Frequency Band	2402 to 2480 MHz
Number of Available Channels	Legacy : 0~79 (1 MHz/CH) BLE : 0~39 (2 MHz/CH)
Data Rates and Throughput	Legacy : 3 Mbps data rate; throughput up to 2.17 Mbps BLE : 1 Mbps data rate; throughput up to 0.2 Mbps Legacy : Synchronous Connection Oriented links up to 3, 64 kbps, voice channels Legacy : Asynchronous Connection Less links 2178.1 kbps/177.1 kbps asymmetric (3-DH5) or 864 kbps symmetric (3-EV5)
Transmit Power	The Bluetooth component shall operate as a Class II Bluetooth device with a maximum transmit power of + 4 dBm for BR and EDR.
Power Consumption	Peak (Tx) 330 mW Peak (Rx) 230 mW Selective Suspend 17 mW



Technical Specifications

Electrical Interface	USB 2.0 compliant
Bluetooth Software Supported Link Topology	Microsoft Windows Bluetooth Software
Power Management Certifications	Microsoft Windows ACPI, and USB Bus Support FCC (47 CFR) Part 15C, Section 15.247 & 15.249
Power Management Certifications	ETS 300 328, ETS 300 826
Certifications	Low Voltage Directive IEC950 UL, CSA, and CE Mark
Bluetooth Profiles Supported	BT4.1-ESR 5/6/7 Compliance LE Link Layer Ping LE Dual Mode LE Link Layer LE Low Duty Cycle Directed Advertising LE L2CAP Connection Oriented Channels Train Nudging & Interlaced Scan BT4.2 ESR08 Compliance LE Secure Connection- Basic/Full LE Privacy 1.2 –Link Layer Privacy LE Privacy 1.2 –Extended Scanner Filter Policies LE Data Packet Length Extension FAX Profile (FAX) Basic Imaging Profile (BIP)2 Headset Profile (HSP) Hands Free Profile (HFP) Advanced Audio Distribution Profile (A2DP)

**Intel® 8265
802.11a/b/g/n/ac (2x2)
Wi-Fi and Bluetooth® 4.2
Combo [1]**

Wireless LAN Standards	IEEE 802.11a IEEE 802.11b IEEE 802.11g IEEE 802.11n IEEE 802.11ac
Interoperability Frequency Band	802.11b/g/n <ul style="list-style-type: none"> • 2.402 – 2.482 GHz 802.11a/n <ul style="list-style-type: none"> • 4.9 – 4.95 GHz (Japan) • 5.15 – 5.25 GHz • 5.25 – 5.35 GHz • 5.47 – 5.725 GHz • 5.825 – 5.850 GHz
Data Rates	<ul style="list-style-type: none"> • 802.11b: 1, 2, 5.5, 11 Mbps • 802.11g: 6, 9, 12, 18, 24, 36, 48, 54 Mbps • 802.11a: 6, 9, 12, 18, 24, 36, 48, 54 Mbps • 802.11n: MCS 0 ~ MCS 15, (20MHz, and 40MHz) • 802.11ac : MCS0 ~ MCS7, (1SS) (20MHz, 40MHz, and 80MHz)
Modulation	Direct Sequence Spread Spectrum



Technical Specifications

	BPSK, QPSK, CCK, 16-QAM, 64-QAM, 256-QAM
Security[3]	<ul style="list-style-type: none"> • IEEE and Wi-Fi compliant 64 / 128 bit WEP encryption for a/b/g mode only • AES-CCMP: 128 bit in hardware • 802.1x authentication • WPA, WPA2: 802.1x. WPA-PSK, WPA2-PSK, TKIP, and AES. • WPA2 certification • IEEE 802.11i • Cisco Certified Extensions, all versions through CCX4 and CCX Lite • WAPI
Network Architecture Models	Ad-hoc (Peer to Peer) Infrastructure (Access Point Required)
Roaming	IEEE 802.11 compliant roaming between access points
Output Power[2]	<ul style="list-style-type: none"> • 802.11b : +14dBm minimum • 802.11g : +12dBm minimum • 802.11a : +12dBm minimum • 802.11n HT20(2.4GHz) : +12dBm minimum • 802.11n HT40(2.4GHz) : +12dBm minimum • 802.11n HT20(5GHz) : +10dBm minimum • 802.11n HT40(5GHz) : +10dBm minimum • 802.11ac VHT80(5GHz) : +10dBm minimum
Power Consumption	Transmit: 2.0 W (max) Receive: 1.6 W (max) Idle mode (PSP): 180 mW (WLAN Associated) Idle mode: 50 mW (WLAN unassociated) Connect Standby: 10 mW (WLAN+BT) Radio disabled: 8 mW
Power Management	ACPI and PCI Express compliant power management 802.11 compliant power saving mode
Receiver Sensitivity[3]	802.11b, 1Mbps : -93.5dBm maximum 802.11b, 11Mbps : -84dBm maximum 802.11a/g, 6Mbps : -86dBm maximum 802.11a/g, 54Mbps : -72dBm maximum 802.11n, MCS07 : -67dBm maximum 802.11n, MCS15 : -64dBm maximum 802.11ac, MCS0 : -84dBm maximum 802.11ac, MCS9 : -59dBm maximum
Antenna type	High efficiency antenna with spatial diversity, mounted in the display enclosure Two embedded dual band 2.4/5 GHz antennas are provided to the card to support WLAN MIMO communications and Bluetooth communications
Form Factor	PCI-Express M.2 MiniCard
Dimensions	Type 2230 : 2.3 x 22.0 x 30.0 mm
Weight	Type 2230 : 2.8g
Operating Voltage	3.3v +/- 9%
Temperature	Operating 14° to 158° F (-10° to 70° C) Non-operating -40° to 176° F (-40° to 80° C)



Technical Specifications

Humidity	Operating	10% to 90% (non-condensing)
	Non-operating	5% to 95% (non-condensing)
Altitude	Operating	0 to 10,000 ft (3,048 m)
	Non-operating	0 to 50,000 ft (15,240 m)
LED Activity	LED Amber – Radio OFF; LED White – Radio ON	
	<ol style="list-style-type: none"> 1. Check latest software/driver release for updates on supported security features. 2. Maximum output power may vary by country according to local regulations. 3. Receiver sensitivity is measured at a packet error rate of 8% for 802.11b (CKK modulation) and a packet error rate of 10% for 802.11a/g (OFDM modulation). 	

HP Integrated Module with Bluetooth 4.0/4.1/4.2 Wireless Technology

Bluetooth Specification	4.0/4.1/4.2 Compliant
Frequency Band	2402 to 2480 MHz
Number of Available Channels	Legacy : 0~79 (1 MHz/CH) BLE : 0~39 (2 MHz/CH)
Data Rates and Throughput	Legacy : 3 Mbps data rate; throughput up to 2.17 Mbps BLE : 1 Mbps data rate; throughput up to 0.2 Mbps Legacy : Synchronous Connection Oriented links up to 3, 64 kbps, voice channels Legacy : Asynchronous Connection Less links 2178.1 kbps/177.1 kbps asymmetric (3-DH5) or 864 kbps symmetric (3-EV5)
Transmit Power	The Bluetooth component shall operate as a Class II Bluetooth device with a maximum transmit power of + 4 dBm for BR and EDR.
Power Consumption	Peak (Tx) 330 mW Peak (Rx) 230 mW Selective Suspend 17 mW
Electrical Interface	USB 2.0 compliant
Bluetooth Software Supported	Microsoft Windows Bluetooth Software
Link Topology	
Power Management	Microsoft Windows ACPI, and USB Bus Support
Certifications	FCC (47 CFR) Part 15C, Section 15.247 & 15.249
Power Management	ETS 300 328, ETS 300 826
Certifications	Low Voltage Directive IEC950
	UL, CSA, and CE Mark
Bluetooth Profiles Supported	BT4.1-ESR 5/6/7 Compliance LE Link Layer Ping LE Dual Mode LE Link Layer LE Low Duty Cycle Directed Advertising LE L2CAP Connection Oriented Channels Train Nudging & Interlaced Scan BT4.2 ESR08 Compliance LE Secure Connection- Basic/Full LE Privacy 1.2 –Link Layer Privacy



Technical Specifications

LE Privacy 1.2 –Extended Scanner Filter Policies
 LE Data Packet Length Extension
 FAX Profile (FAX)
 Basic Imaging Profile (BIP)2
 Headset Profile (HSP)
 Hands Free Profile (HFP)
 Advanced Audio Distribution Profile (A2DP)

POWER

180W active PFC

Operating Voltage Range	87/90/87% efficient at 20/50/100% load (115V) 88/91/88% efficient at 20/50/100% load (230V)
Rated Voltage Range	90 – 264 VAC
Rated Line Frequency	50/60 HZ
Operating Line Frequency	47 – 63 Hz
Rated Input Current	180W : 2.5A
Rated Input Current with Energy Efficient* Power Supply	180W : 2.5A
DC Output	+12.1V
Current Leakage (NFPA 99: 2102)	N/A
Current Leakage (NFPA 99: 2102)	Less than 500 microamps of leakage current at 120 Vac with the ground wire disconnected, as required for Non-patient Electrical Appliances and Equipment used in a patient care facility or that contact patients in normal use. Per section 10.3.5.1. Less than 100 microamps of leakage current at 120 Vac with the ground wire intact with normal polarity, as required for Non-patient Electrical Appliances and Equipment used in a patient care facility or that contact patients in normal use. Per section 10.3.5.1.
Power Supply Fan	N/A
Power cord length	6.0 ft. (1.83 m)

Country of Origin

China



Technical Specifications

COMPATIBILITY

Type	Description	Part Number
HP EliteOne 1000 Accessories	HP EliteOne 1000 IR Camera with Rear Webcam	2HW55AA
	HP EliteOne 1000 23.8in FHD Display*	2SC22AA
	HP EliteOne 1000 23.8in FHD Touch Display*	2SC23AA
	HP EliteOne 1000 27in 4K UHD Display*	2SC24AA
	HP EliteOne 1000 34in WQHD Curved Display*	2SC25AA
Graphics Solutions	HP UHD USB Graphics Adapter	N2U81AA
	HP DisplayPort™ Cable Kit	VN567AA
	HP DisplayPort™ To DVI-D Adapter	FH973AA
	HP DisplayPort™ To VGA Adapter	AS615AA
	HP DisplayPort™ To HDMI 4k Adapter	K2K92AA
	HP DisplayPort To HDMI True 4k Adapter	2JA63AA
	HP DVI to DVI Cable	DC198A
System Memory	HP 4GB DDR4-2400 SODIMM	Z9H55AA
	HP 8GB DDR4-2400 SODIMM	Z9H56AA
	HP 16GB DDR4-2400 SODIMM	Z9H53AA
Data Storage Drives	HP 256GB SATA TLC Solid State Drive	P1N68AA
	HP 500GB SATA 6G 2.5 (8GB Cache) SSHD Drive	E1C62AA
	HP 512GB Turbo Drive G2 TLC M.2 SSD Drive	X8U75AA
	HP 256GB Turbo Drive Gen2 M.2 SSD Drive	1CA51AA
	Intel® Optane Memory 16GB (cache)	1WV97AA
I/O Devices	HP USB to Serial Adapter	J7B60AA
	HP Type-C to USB3 Adapter	N2Z63AA
Security	HP Keyed Cable Lock 10mm Kit	T1A62AA
Multimedia Devices	HP Business Headset v2	T4E61AA
	HP UC Wireless Duo Headset	W3K09AA
Input Devices	HP USB Business Slim Keyboard	N3R87AA
	HP Wireless Business Slim Keyboard and Mouse**	QY449AA
	HP USB Keyboard and Mouse Healthcare Edition	1VD81AA
	HP USB Business Slim Grey Keyboard (EMEA only)	Z9H49AA
	HP USB Business Slim Smartcard CCID Keyboard	Z9H48AA
	HP USB PS/2 Washable Keyboard and Mouse Kit**	BU207AA
	HP USB Grey V2 Mouse (EMEA only)	Z9H74AA
	HP USB Antimicrobial Slim Keyboard and Mouse	Z9H50AA
	HP USB Hardened Mouse	P1N77AA
	HP USB Mouse	QY777AA
HP USB 1000dpi Laser Mouse	QY778AA	

*Separately purchased, interchangeable displays in sizes 23.8" (60.45 cm), 27" (68.58 cm) and 34" (86.36 cm) diagonal are planned to be available after launch in November



Technical Specifications

Summary of Changes

Date of change:	Version History:		Description of change:
	From V1 to V2		

Copyright © 2017 HP Development Company, L.P. The only warranties for HP products are set forth in the express limited warranty statements accompanying such products. Nothing herein should be construed as constituting an additional warranty. HP shall not be liable for technical or editorial errors or omissions contained herein.

Bluetooth is a trademark of its proprietor and used by HP Inc. under license. Intel®, Core, Celeron and Intel® vPro are trademarks of Intel® Corporation or its subsidiaries in the U.S. and/or other countries. USB Type-C™ and USB-C™ are trademarks of USB Implementers Forum. ENERGY STAR is a registered trademark of the U.S. Environmental Protection Agency. All other trademarks are the property of their respective owners.

