

Stratos™ 2700

Biopic Scanner/Scale

User's Guide

Disclaimer

Honeywell International Inc. ("HII") reserves the right to make changes in specifications and other information contained in this document without prior notice, and the reader should in all cases consult HII to determine whether any such changes have been made. The information in this publication does not represent a commitment on the part of HII.

HII shall not be liable for technical or editorial errors or omissions contained herein; nor for incidental or consequential damages resulting from the furnishing, performance, or use of this material.

This document contains proprietary information that is protected by copyright. All rights are reserved. No part of this document may be photocopied, reproduced, or translated into another language without the prior written consent of HII.

© 2012-2014 Honeywell International Inc. All rights reserved.

Checkpoint® is a registered trademark of Checkpoint Systems, Inc.

Sensormatic® is a registered trademark of Tyco Retail Solutions.

Other product names or marks mentioned in this document may be trademarks or registered trademarks of other companies and are the property of their respective owners.

Web Address: www.honeywellaidc.com

Product Agency Compliance

USA

FCC Part 15 Subpart B Class A

This device complies with part 15 of the FCC Rules. Operation is subject to the following two conditions:

1. This device may not cause harmful interference.
2. This device must accept any interference received, including interference that may cause undesired operation.

This equipment has been tested and found to comply with the limits for a Class A digital device, pursuant to part 15 of the FCC Rules. These limits are designed to provide reasonable protection against harmful interference when the equipment is operated in a commercial environment. This equipment generates, uses, and can radiate radio frequency energy and, if not installed and used in accordance with the instruction manual, may cause harmful interference to radio communications. Operation of this equipment in a residential area is likely to cause harmful interference, in which case the user will be required to correct the interference at his own expense.

Use only shielded data cables with this system.

Caution: Any changes or modifications made to this equipment not expressly approved by Honeywell may void the FCC authorization to operate this equipment.

TÜV R Statement

TÜV R listed: UL 60950-1, Second Edition and CSA C22.2 No.60950-1-07, Second Edition.

Canada

Industry Canada ICES-003

This Class A digital apparatus complies with Canadian ICES-003. Operation is subject to the following conditions:

1. This device may not cause harmful interference.
2. This device must accept any interference received, including interference that may cause undesired operation.

Conformité à la réglementation canadienne

Cet appareil numérique de la Classe A est conforme à la norme NMB-003 du Canada. Son fonctionnement est assujéti aux conditions suivantes :

1. Cet appareil ne doit pas causer de brouillage préjudiciable.
2. Cet appareil doit pouvoir accepter tout brouillage reçu, y compris le brouillage pouvant causer un fonctionnement indésirable.

Normes TÜV R

Homologué TÜV R : UL 60950-1, seconde édition et CSA C22.2 No. 60950-1-07, seconde édition.

Europe

CE The CE marking indicates compliance to 2004/108/EC EMC Directive with Standards EN55022 CLASS B, EN55024, EN61000-3-2, EN61000-3-3, and 2011/65/EU RoHS directive. In addition, complies to 2006/95/EC Low Voltage Directive, when shipped with recommended power supply. European contact:

Hand Held Products Europe B.V.
Nijverheidsweg 9-13
5627 BT Eindhoven
The Netherlands

Honeywell International Inc. shall not be liable for use of our product with equipment (i.e., power supplies, personal computers, etc.) that is not CE marked and does not comply with the Low Voltage Directive.

Waste Electrical and Electronic Equipment Information

Honeywell complies with Directive 2002/96/EC OF THE EUROPEAN PARLIAMENT AND OF THE COUNCIL of 27 January 2003 on waste electrical and electronic equipment (WEEE).

This product has required the extraction and use of natural resources for its production. It may contain hazardous substances that could impact health and the environment, if not properly disposed.

In order to avoid the dissemination of those substances in our environment and to diminish the pressure on the natural resources, we encourage you to use the appropriate take-back systems for product disposal. Those systems will reuse or recycle most of the materials of the product you are disposing in a sound way.



The crossed out wheeled bin symbol informs you that the product should not be disposed of along with municipal waste and invites you to use the appropriate separate take-back systems for product disposal.

If you need more information on the collection, reuse, and recycling systems, contact your local or regional waste administration.

You may also contact your supplier for more information on the environmental performances of this product.

Australia/NZ

C-Tick Statement



Conforms to AS/NZS 3548 EMC requirement

Japan



VCCI: 2012-04 Class A

Russia



Gost-R certificate

South Korea



This product meets Korean agency approval.

International

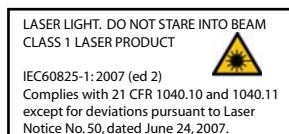
LED Safety Statement

LEDs have been tested and classified as “EXEMPT RISK GROUP” to the standard: IEC 62471:2006.

CB Scheme

Certified to CB Scheme IEC 60950-1, Second Edition.

Laser Safety Statement



This device has been tested in accordance with and complies with IEC60825-1 ed2 (2007). Complies with 21 CFR 1040.10 and 1040.11, except for deviations pursuant to Laser Notice No. 50, dated June 24, 2007.

LASER LIGHT, DO NOT STARE INTO BEAM, CLASS 1 LASER PRODUCT.

Caution: Use of controls or adjustments or performance of procedures other than those specified herein may result in hazardous radiation exposure.

Patents

For patent information, refer to www.honeywellaidc.com/patents.

Solids and Water Protection

The Stratos 2700 has a rating of IP42, immunity of foreign particles and dripping water.

Warning



To reduce the possibility of heat-related injuries, avoid touching sections of the scanner that feel warm.

Required Safety Labels

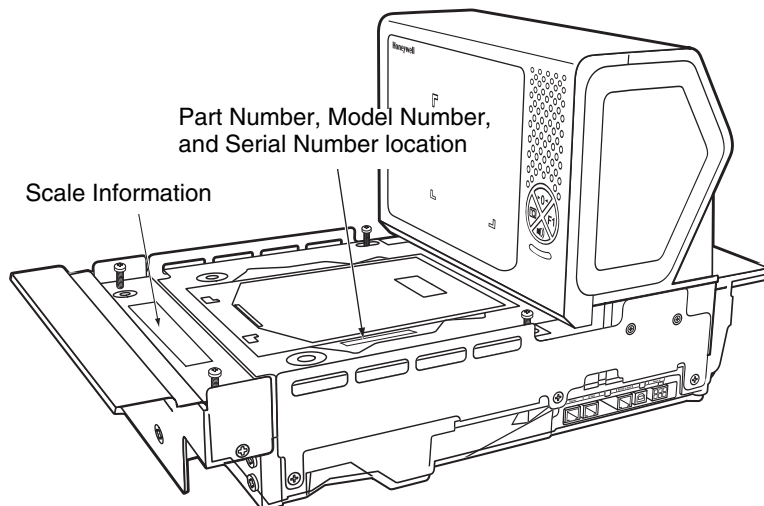
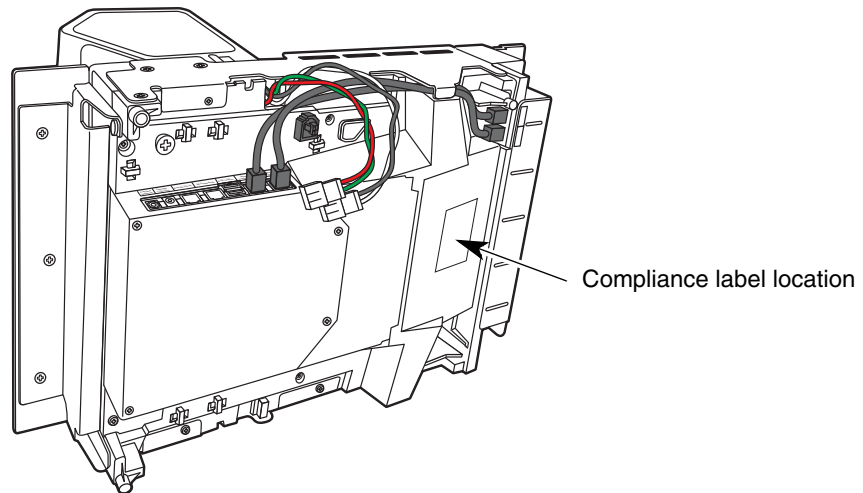




Table of Contents

Chapter 1 - Getting Started

| | |
|--------------------------------------|-----|
| About This Manual | 1-1 |
| Printing Single Bar Codes | 1-1 |
| Dimensions | 1-1 |
| Site Requirements | 1-1 |
| Vertical Clearance | 1-1 |
| Ventilation and Spacing | 1-1 |
| Lighting..... | 1-1 |
| Service Access..... | 1-1 |
| Power Installation..... | 1-2 |
| EAS Considerations | 1-2 |
| Power from Host | 1-2 |
| Unpacking Your Device | 1-2 |
| Configuring the 2700..... | 1-2 |
| Features of the Stratos Bioptic..... | 1-3 |
| Audible and Visual Indicators..... | 1-3 |
| Push Button Functionality | 1-4 |
| LCD Diagnostic Display | 1-5 |
| LCD Video Display | 1-5 |
| Reading Techniques | 1-5 |

Chapter 2 - Installation

| | |
|---|------|
| Installation Diagrams | 2-1 |
| Stratos 2751 Product Dimensions..... | 2-1 |
| Stratos 2751 Installation Dimensions | 2-2 |
| Stratos 2752 Product Dimensions..... | 2-3 |
| Stratos 2752 Installation Dimensions | 2-4 |
| Stratos 2753 Product Dimensions..... | 2-5 |
| Stratos 2753 2 Point Installation Dimensions..... | 2-6 |
| Stratos 2753 3 Point Installation Dimensions..... | 2-7 |
| Stratos 2753 Bottom View..... | 2-8 |
| Installing the Stratos Bioptic..... | 2-8 |
| Device Ports | 2-8 |
| Placing the Stratos Bioptic in the Check Stand..... | 2-9 |
| Place the Platter..... | 2-11 |
| Adjust the Height..... | 2-11 |
| Leveling..... | 2-12 |
| Pole Display (if included)..... | 2-13 |
| Connecting an LCD Video Display | 2-13 |
| Connecting EAS..... | 2-14 |
| Checkpoint®..... | 2-14 |
| Sensormatic®..... | 2-14 |
| Connecting to the POS System | 2-14 |

Chapter 3 - Programming the Bioptic Scanner Interface

| | |
|--|------|
| Introduction..... | 3-1 |
| Printing Single Bar Codes | 3-1 |
| Menu Bar Code Security Settings | 3-1 |
| Setting Custom Defaults..... | 3-1 |
| Resetting the Custom Defaults..... | 3-2 |
| Programming the Scanner Interface - Plug and Play | 3-2 |
| RS232 Serial Port Interface..... | 3-2 |
| RS232 OPOS Scanner Only - Dual Cable..... | 3-2 |
| USB Interface | 3-3 |
| USB PC or Macintosh Keyboard | 3-3 |
| USB HID | 3-3 |
| USB Serial Commands..... | 3-4 |
| USB Host Power..... | 3-5 |
| Host System Plug and Play Codes..... | 3-6 |
| RS485..... | 3-6 |
| IBM 46XX - Scanner Only..... | 3-7 |
| IBM Port 17 Interface - Scanner Only..... | 3-7 |
| RS485 Packet Mode..... | 3-7 |
| USB - IBM SurePos..... | 3-8 |
| NCR Host System Scanner Only - Dual Cable..... | 3-8 |
| Verifone® Ruby Terminal Default Settings | 3-9 |
| Gilbarco® Terminal Default Settings..... | 3-9 |
| Wincor Nixdorf Terminal Default Settings..... | 3-9 |
| Wincor Nixdorf Beetle™ Terminal Default Settings..... | 3-10 |
| Keyboard Country Layout..... | 3-10 |
| Keyboard Style | 3-20 |
| Keyboard Conversion | 3-21 |
| Keyboard Modifiers..... | 3-22 |
| RS232 Baud Rate..... | 3-24 |
| RS232 Word Length: Data Bits, Stop Bits, and Parity..... | 3-25 |
| RS232 Receiver Timeout | 3-27 |
| RS232 Handshaking..... | 3-27 |
| RS232 Timeout..... | 3-29 |
| Host Communications Timeout Beeper | 3-29 |
| XON/XOFF | 3-29 |
| ACK/NAK..... | 3-30 |
| NAK Retries..... | 3-31 |
| Support BEL/CAN in ACK/NAK | 3-31 |
| RS232 Defaults..... | 3-32 |

| | |
|-----------------------------------|------|
| NCR Modifiers | 3-32 |
| NCR ACK/NAK | 3-32 |
| NCR Modes | 3-32 |
| Block Check Character | 3-34 |
| NCR Prefix | 3-34 |
| NCR Suffix | 3-34 |
| NCR NOF (Not-on-File) Error | 3-34 |
| Do Not Wait for NCR Weight | 3-35 |
| NCR Weight Timeout..... | 3-35 |

Chapter 4 - Input/Output Settings

| | |
|--|------|
| Power Up Settings | 4-1 |
| Wake Activation | 4-1 |
| Power Save Mode | 4-1 |
| Power Up Beeper | 4-4 |
| Button Controls | 4-4 |
| Button Click..... | 4-4 |
| F1 Programmable Button..... | 4-4 |
| Sound Button | 4-5 |
| Image Capture Button..... | 4-7 |
| Beep on BEL Character..... | 4-8 |
| Good Read Indicators..... | 4-8 |
| Beeper – Good Read..... | 4-8 |
| Beeper - Transmit Order..... | 4-9 |
| Beeper Volume – Good Read..... | 4-9 |
| Beeper Pitch – Good Read..... | 4-9 |
| Beeper Duration – Good Read | 4-10 |
| Number of Beeps – Good Read | 4-10 |
| Beep on EAS Deactivation | 4-11 |
| Error Indicators | 4-11 |
| Beeper Pitch – Error | 4-11 |
| Number of Beeps/LED Flashes – Error | 4-12 |
| LED Settings..... | 4-12 |
| Disabled Scanner LED Flash..... | 4-12 |
| Bar Code Scanning Delays | 4-12 |
| Reread Delay..... | 4-12 |
| User-Specified Reread Delay | 4-13 |
| 2D Reread Delay | 4-13 |
| Same Symbol Test | 4-14 |
| Bar Code Absence Detection | 4-14 |
| Character Activation Mode | 4-15 |
| Activation Character | 4-15 |
| End Character Activation After Good Read | 4-15 |
| Character Activation Laser Timeout | 4-16 |
| Character Deactivation Mode | 4-16 |
| Deactivation Character | 4-16 |

| | |
|-----------------------------------|------|
| Output Sequence Overview..... | 4-16 |
| Require Output Sequence | 4-16 |
| Output Sequence Editor | 4-17 |
| To Add an Output Sequence | 4-17 |
| Other Programming Selections..... | 4-17 |
| Output Sequence Editor | 4-18 |
| Sequence Timeout..... | 4-18 |
| Sequence Match Beeper | 4-19 |
| Partial Sequence | 4-19 |
| Require Output Sequence | 4-19 |
| No Read | 4-20 |

Chapter 5 - Programming an Auxiliary Scanner

| | |
|---|-----|
| Introduction..... | 5-1 |
| Scanner to Bioptic Communication | 5-1 |
| Scanner-Bioptic Packet Mode | 5-1 |
| ACK/NAK..... | 5-1 |
| Communication Timeout..... | 5-1 |
| Aux Port Configuration Codes..... | 5-2 |
| Honeywell Scanner Aux Port Configuration..... | 5-2 |
| Datalogic™ Magellan® Aux Port Configuration | 5-2 |
| NCR Bioptic Aux Port Configuration | 5-2 |
| Wincor Nixdorf Beetle Aux Port Configuration..... | 5-2 |
| Good Read Beep - Aux Scanner | 5-2 |
| Aux Scanner D/E Commands..... | 5-3 |
| Reread Delay Override..... | 5-3 |

Chapter 6 - Scale

| | |
|---|------|
| Programming the Scale Interface | 6-1 |
| RS232..... | 6-1 |
| RS485..... | 6-2 |
| USB | 6-2 |
| Scale Status Bytes | 6-3 |
| Scale Type..... | 6-3 |
| Scale Calibration | 6-4 |
| Tools Required | 6-4 |
| Priming the Scale for Calibration | 6-4 |
| Scale Calibration..... | 6-5 |
| Putting the Scale into Service Mode..... | 6-5 |
| Scale Calibration with Remote Display..... | 6-5 |
| Scale Calibration without Remote Display..... | 6-7 |
| Scale Calibration with Push Buttons..... | 6-9 |
| Calibration Verification..... | 6-10 |
| Shift Test | 6-11 |
| Decreasing Load Test | 6-11 |
| Return to Zero Test..... | 6-12 |
| Security Seal Installation | 6-12 |

Chapter 7 - Data Editing

| | |
|---|-----|
| Prefix/Suffix Overview | 7-1 |
| To Add a Prefix or Suffix:..... | 7-1 |
| To Clear One or All Prefixes or Suffixes..... | 7-2 |
| To Add a Carriage Return Suffix to All Symbolologies..... | 7-2 |
| Prefix Selections..... | 7-2 |
| Suffix Selections..... | 7-3 |
| Cash Register Code IDs..... | 7-3 |
| Function Code Transmit..... | 7-4 |
| Communication Check Character..... | 7-4 |
| Intercharacter, Interfunction, and Intermessage Delays..... | 7-5 |
| Intercharacter Delay..... | 7-5 |
| User Specified Intercharacter Delay..... | 7-5 |
| Interfunction Delay..... | 7-6 |
| Intermessage Delay..... | 7-6 |

Chapter 8 - Data Formatting

| | |
|---------------------------------------|------|
| Data Format Editor Introduction | 8-1 |
| Add a Data Format | 8-1 |
| Other Programming Selections..... | 8-2 |
| Terminal ID Table..... | 8-3 |
| Data Format Editor Commands..... | 8-3 |
| Move Commands..... | 8-6 |
| Search Commands..... | 8-7 |
| Miscellaneous Commands..... | 8-9 |
| Data Formatter | 8-11 |
| Data Format Non-Match Error Tone..... | 8-12 |
| Primary/Alternate Data Formats..... | 8-13 |
| Single Scan Data Format Change..... | 8-13 |

Chapter 9 - Symbolologies

| | |
|--|------|
| All Symbolologies..... | 9-1 |
| Message Length Description..... | 9-1 |
| Codabar..... | 9-2 |
| Codabar Concatenation..... | 9-3 |
| Code 39..... | 9-5 |
| Code 32 Pharmaceutical (PARAF)..... | 9-6 |
| Full ASCII..... | 9-7 |
| Code 39 Code Page..... | 9-7 |
| Interleaved 2 of 5..... | 9-8 |
| NEC 2 of 5..... | 9-10 |
| Code 93..... | 9-12 |
| Code 93 Code Page..... | 9-13 |
| Straight 2 of 5 Industrial (three-bar start/stop)..... | 9-13 |
| Straight 2 of 5 IATA (two-bar start/stop)..... | 9-14 |
| Matrix 2 of 5..... | 9-15 |

| | |
|--|------|
| Code 11 | 9-17 |
| Code 128 | 9-19 |
| Code 128 Code Page | 9-20 |
| ISBT 128 | 9-20 |
| GS1-128 | 9-26 |
| Telepen | 9-28 |
| UPC-A | 9-29 |
| UPC-A/EAN-13 | |
| with Extended Coupon Code | 9-32 |
| UPC-A Number System 4 Addenda Required | 9-32 |
| UPC-A Number System 5 Addenda Required | 9-33 |
| Coupon GS1 DataBar Output | 9-35 |
| In-Store Printed Bar Codes | 9-35 |
| Stitching | 9-35 |
| Framing | 9-35 |
| Redundancy | 9-36 |
| UPC/EAN Security | 9-36 |
| UPC-E0 | 9-37 |
| EAN/JAN-13 | 9-41 |
| Convert UPC-A to EAN-13 | 9-41 |
| EAN-13 Beginning with 2 Addenda Required | 9-42 |
| EAN-13 Beginning with 290 Addenda Required | 9-43 |
| EAN-13 Beginning with 378/379 Addenda Required | 9-43 |
| EAN-13 Beginning with 414/419 Addenda Required | 9-44 |
| EAN-13 Beginning with 434/439 Addenda Required | 9-45 |
| EAN-13 Beginning with 977 Addenda Required | 9-45 |
| EAN-13 Beginning with 978 Addenda Required | 9-46 |
| EAN-13 Beginning with 979 Addenda Required | 9-46 |
| ISBN Translate | 9-48 |
| ISSN Translate | 9-49 |
| EAN/JAN-8 | 9-50 |
| MSI | 9-53 |
| Plessey Code | 9-55 |
| GS1 DataBar Omnidirectional | 9-57 |
| GS1 DataBar Limited | 9-57 |
| GS1 DataBar Expanded | 9-58 |
| Coupon Code Settings | 9-59 |
| GS1 DataBar Expanded Coupons With AI (8110) | 9-59 |
| GS1 DataBar Expanded Coupons Without AI (8110) | 9-60 |
| GS1 DataBar Expanded Coupon Preferred Mode | 9-60 |
| Coupon GS1 DataBar Output | 9-60 |
| In-Store Printed Bar Codes | 9-61 |
| Trioptic Code | 9-62 |
| Codablock A | 9-62 |
| Codablock F | 9-63 |
| PDF417 | 9-64 |
| MacroPDF417 | 9-64 |
| MicroPDF417 | 9-65 |

| | |
|--------------------------------------|------|
| GS1 Composite Codes..... | 9-66 |
| UPC/EAN Version..... | 9-66 |
| GS1 Emulation | 9-67 |
| TCIF Linked Code 39 (TLC39) | 9-68 |
| QR Code..... | 9-68 |
| Data Matrix | 9-70 |
| MaxiCode | 9-71 |
| Aztec Code..... | 9-72 |
| Chinese Sensible (Han Xin) Code..... | 9-73 |

Chapter 10 - EAS Settings

| | |
|--|------|
| EAS Deactivation..... | 10-1 |
| Sensormatic..... | 10-2 |
| Detection Ranges | 10-2 |
| Deactivation Ranges..... | 10-2 |
| Checkpoint..... | 10-2 |
| EAS Controller Settings | 10-2 |
| Programming the EAS Interface..... | 10-3 |
| EAS Controller..... | 10-4 |
| EAS Interface | 10-5 |
| EAS Mode of Operation..... | 10-5 |
| EAS Interlocked Duration Timeout | 10-6 |
| EAS Tag Detection | 10-6 |

Chapter 11 - Interface Keys

| | |
|--------------------------------------|------|
| Keyboard Function Relationships..... | 11-1 |
| Supported Interface Keys | 11-3 |

Chapter 12 - Utilities

| | |
|---|------|
| To Add a Test Code I.D. Prefix to All Symbologies | 12-1 |
| Show Software Revision..... | 12-1 |
| Show Data Format..... | 12-1 |
| Test Menu..... | 12-1 |
| TotalFreedom | 12-2 |
| EZConfig-Scanning Introduction..... | 12-2 |
| Installing EZConfig-Scanning from the Web..... | 12-2 |
| Resetting the Factory Defaults | 12-3 |

Chapter 13 - Serial Programming Commands

| | |
|---------------------------|------|
| Conventions..... | 13-1 |
| Menu Command Syntax | 13-1 |
| Query Commands | 13-1 |
| Responses..... | 13-2 |
| Menu Commands | 13-3 |

Chapter 14 - Product Specifications

| | |
|--|------|
| Stratos Bioptic Scanner/Scale Product Specifications | 14-1 |
| Depth of Field Charts..... | 14-2 |
| Standard Connector Pinouts | 14-3 |
| Host - RS232 | 14-3 |
| Host - RS485 | 14-3 |
| Host - USB Type B | 14-3 |
| Scale to Host - RS232 | 14-4 |
| Scanner to Scale - COMM..... | 14-4 |
| Scale to Scanner - Display | 14-4 |
| Scale Display | 14-5 |
| RS232 Auxiliary Scanner - Bioptic end..... | 14-5 |
| USB Auxiliary Scanner - Bioptic end | 14-5 |

Chapter 15 - Maintenance

| | |
|---|------|
| Repairs | 15-1 |
| Maintenance | 15-1 |
| Cleaning the Scanner | 15-1 |
| Cleaning the Window..... | 15-1 |
| Troubleshooting a Stratos Bioptic Scanner | 15-1 |
| Diagnostic Indicator | 15-2 |
| Error Codes | 15-3 |

Chapter 16 - Customer Support

| | |
|---------------------------|------|
| Technical Assistance..... | 16-1 |
|---------------------------|------|

Appendix A - Reference Charts

| | |
|---|------|
| Symbology Charts | A-1 |
| Linear Symbologies | A-1 |
| 2D Symbologies..... | A-2 |
| Postal Symbologies | A-2 |
| ASCII Conversion Chart (Code Page 1252)..... | A-3 |
| Lower ASCII Reference Table..... | A-4 |
| ISO 2022/ISO 646 Character Replacements | A-7 |
| Unicode Key Maps | A-10 |

Appendix B - Auxiliary Honeywell Scanner Configuration Codes

| | |
|------------------|-----|
| RS-232 | B-1 |
| USB Serial | B-1 |

Getting Started

Honeywell's Stratos™ bioptic scanner/scale incorporates a revolutionary hybrid platform that enables retailers to maximize customer throughput for rapid pass-through scanning of linear bar codes, plus area imaging technology for scanning of 2D and mobile bar codes. The Stratos bioptic enhances the checkout scanning experience for traditional checkout lanes and self-checkout environments.

About This Manual

This User's Guide provides installation and programming instructions for the Stratos bioptic. Product specifications, dimensions, warranty, and customer support information are also included.

Honeywell bar code scanners are factory programmed for the most common terminal and communications settings. If you need to change these settings, programming is accomplished by scanning the bar codes in this guide.

An asterisk (*) next to an option indicates the default setting. See [Serial Programming Commands](#) beginning on page 13-1 for a complete listing of the serial commands for programming bar codes.

Note: The Stratos bioptic is programmed via the vertical window only. The horizontal window intentionally does not read programming bar codes as a means of preventing accidental scans.

Printing Single Bar Codes

If you wish to print single-page bar codes for any programming selection, hover your cursor over the bar code, and left click. A document with that bar code on a single page is displayed. Click the **Print** button to print that page.

The bar code document contains all the programming bar codes from this manual. You can scroll through the pdf to locate any other codes in which you are interested.

Dimensions

Site Requirements

Vertical Clearance

A minimum clearance height of 7 inches (17.78cm) from the checkout counter surface is needed for the vertical hood. For further information, refer to [Installation Diagrams](#) beginning on page 2-1.

Ventilation and Spacing

The Stratos bioptic has a die-cast housing that dissipates heat, allowing the unit to operate without a ventilation fan. Honeywell recommends that the temperature surrounding the unit does not exceed 104°F (40°C). There should be adequate convection and minimal heat producing equipment in close proximity of the unit. A cooling fan with a filter is recommended if there will be a conveyor motor or other heat producing equipment close to the unit that will create a high temperature environment.

Adequate spacing between the unit and the checkout counter opening is required for proper operation of the scale. When the Stratos bioptic is mounted properly, the scale platter should be able to move up and down freely without hitting the edges of the checkout counter cutout. Refer to [Installation](#) beginning on page 2-1 for detailed cutout dimensions and mounting instructions.

Lighting

The Stratos bioptic should not be pointed toward any strong light sources that would create glare on the vertical window.

Service Access

When routing and installing the cable(s) and power supply, make sure to leave access so that these components may be swapped easily without the need to remove the unit from the checkout counter.

When calibrating or zeroing the scale, do not remove the unit from the checkout counter. Refer to [Scale](#) beginning on page 6-1 for detailed instructions on zeroing and calibration.

Power Installation

The Power Supply (AC/DC) should be connected to an AC outlet that is free of electrical noise (clean). A qualified electrician can determine the amount of electrical noise on the AC line. All power supplies must be properly grounded.

Honeywell recommends using a switched AC outlet. The switch should be located on the operator's side of the checkout counter in close proximity to the Stratos bioptic to facilitate calibration and service of the unit.

Note: The power supply should never be disconnected from the Stratos bioptic without first disconnecting the AC power.

EAS Considerations

Do not install any large iron fixtures, such as steel support poles, near the Stratos bioptic. Doing so may re-shape the EAS tag deactivation field. See [EAS Settings](#) beginning on page 10-1 for complete EAS information.

Power from Host

The Stratos 2700 can be powered from a USB PlusPower host or other host system that can supply at least 12 Volts at 1.5Amps using special cables. (This is the typical voltage and current available on a Green USB Plus Power connector).

It may also be possible to connect and power an auxiliary scanner, a BOB camera, or other peripheral. Please consult with a Honeywell representative to review plans to power these or other auxiliary devices when the unit will be powered from the host. See [USB Host Power](#) on page 3-5 for power conservation settings.

Unpacking Your Device

After you open the shipping carton containing the product, take the following steps:

- Check for damage during shipment. Report damage immediately to the carrier who delivered the carton.
- Make sure the items in the carton match your order.

Save the shipping container for later storage or shipping.

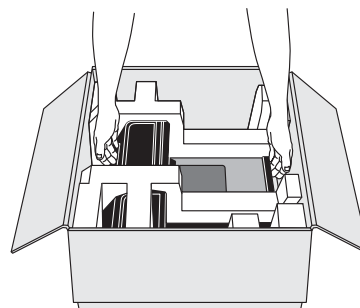
1. Make sure the shipping box is top-side up before opening.
2. Carefully remove the platter and store it in a safe location until the unit is properly installed into the checkout counter.
3. Remove all loose packing materials from the box.
4. Lift the Stratos bioptic out of the box by grasping each end of the unit and lifting directly up.

Note: Do not remove the scanner from the box by grabbing the shipping foam. This can result in the unit falling.

5. Remove the shipping foam from around the scanner.

Note: Retain all packing materials in the event you need to re-pack the unit.

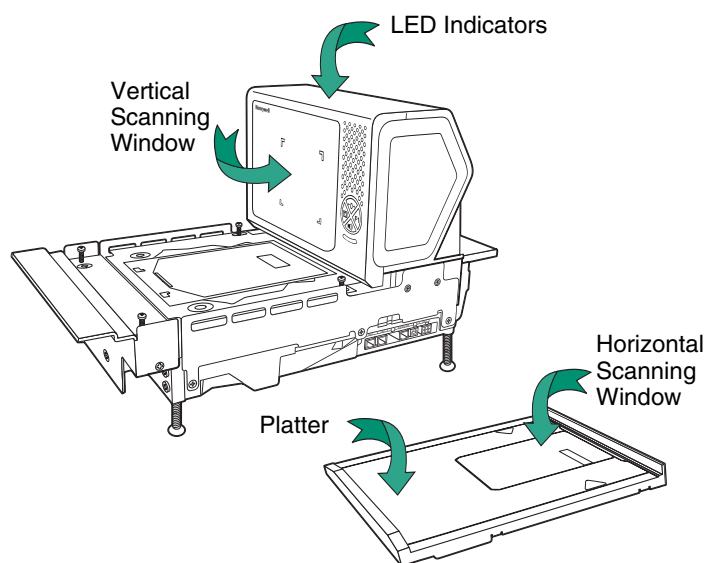
6. Remove the protective film from the top side platter surface, vertical scan window, and horizontal scan window.



Configuring the 2700

If the unit has not already been pre-configured with the proper POS interface and selectable options, program the configuration now. You may do so using EZConfig-Scanning (see [EZConfig-Scanning Introduction](#) on page 12-2), or by scanning the programming bar codes in this manual.

Features of the Stratos Bioptic



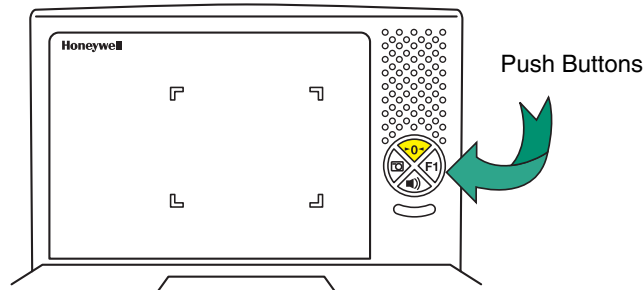
Audible and Visual Indicators

The Stratos bioptic provides audible tones and visual indicators that indicate the status of the unit. See [Input/Output Settings](#) beginning on page 4-1 to change any of these settings. The following table lists the default audible and visual indications. See also [Error Codes](#) on page 15-3.

| LEDs | Sound | Indication |
|-------------------------------------|------------------------|----------------------------------|
| Normal Operations | | |
| Blue Flash, then Green and Red | Beep | Power up |
| Green Continuous | None | Laser On |
| Green Flash | Beep | Good Scan |
| Green Flash | Auxiliary Scanner Beep | Good Scan from auxiliary scanner |
| Green/Blue Flash | Beep | Good Scan from RFID |
| Blue Flash | Fast Beep | EAS Deactivate |
| Red, then alternating Red and Green | Razz or Beep | Not on File (NCR Protocol) |
| Alternating Red and Green Flashes | None | Scanner Software Disabled |
| Green and Red Continuous | None | Scanner Hardware Disabled |
| Power Management | | |
| Green Flash | None | Power Save - Lasers Off |
| Green Continuous | None | Power Save - Blinking Lasers |
| Scale | | |
| Yellow Continuous | None | Scale at Zero |
| Yellow Off | None | Scale at steady weight |
| Maintenance/Error | | |
| Green, Red, Yellow Flash | Ascending Beep | Bioptic Flash |
| Green, Red, Yellow Flash | None | Bioptic Configuration |

| LEDs (Continued) | Sound | Indication |
|----------------------------|------------------------|--|
| Green, Red, Yellow Flash | Auxiliary Scanner Beep | Auxiliary Scanner Configuration |
| Green, Red, Yellow Flash | With or without Beep | Scale Calibration |
| Red Flash | Razz | Error Event - Minor (See Troubleshooting a Stratos Bioptic Scanner , beginning on page 15-1) |
| Red Flash, then Continuous | Razz | Error Event - Major (See Troubleshooting a Stratos Bioptic Scanner , beginning on page 15-1) |
| Green Flash | Cuckoo Beep | Configuration Code - Temporary |
| Green Flash | Ascending 3 Tone | Configuration Code - Permanent |

Push Button Functionality



There is a ring of 4 push buttons on the front of the device. The following is a brief description of the default settings for the push buttons. For complete functionality and programming options, refer to [Button Controls](#) on page 4-4.

Note: Pressing the Sound button wakes the scanner from sleep mode.



This button is normally lit when the scale is at zero. The backlight goes off when the scale is not at zero. Press this button to reset the scale to zero.



Press this button once to scan a bar code using a customer-facing scanner (if installed). Push it a second time to disable the customer-facing scanner. See [Image Capture Button](#) on page 4-7 for further information.



Press repeatedly to scroll through the beeper volumes. This button is also used to clear error conditions (LED lights, beeps, and LCD notifications). Hold this button down for 5 seconds to put the scanner to sleep.

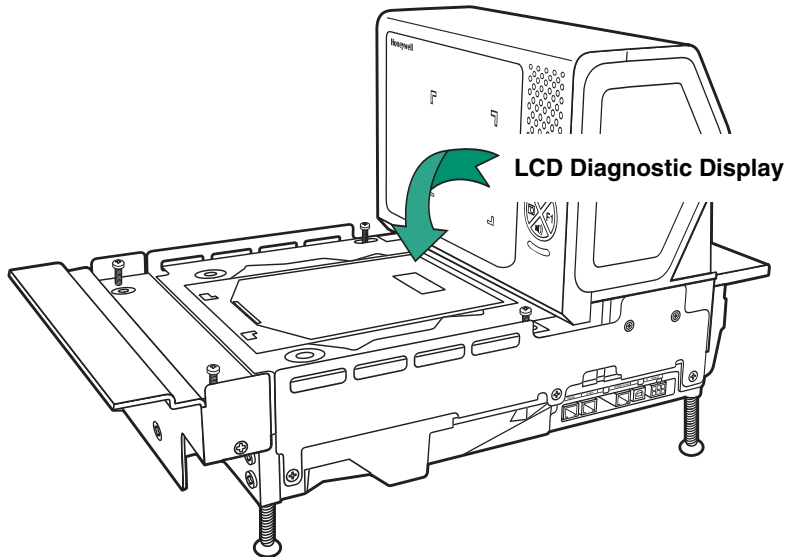
F1 Programmable Functions



Press this button once quickly to input a number of repeat scans. For example, if there are 6 cans, the cashier would scan the first can, then push the F1 button 5 times quickly to indicate 5 more repeats of that scan. Press and hold the F1 button for 5 seconds to deactivate an EAS tag. Refer to [F1 Programmable Button](#) (page 4-4) for further information about the F1 button settings.

LCD Diagnostic Display

There is an LCD diagnostic display located under the platter near the end of the scanner closest to the vertical window.



Refer to [Diagnostic Indicator](#) on page 15-2 for complete information about codes that appear in this display.

LCD Video Display

If you are using a VGA security camera, you can feed the video line to the Stratos bioptic. This type of camera could be used to display items on the bottom of a cart, or to show activity at a deliveries door. See [Connecting an LCD Video Display](#) on page 2-13 for connection information for an external camera.

Reading Techniques

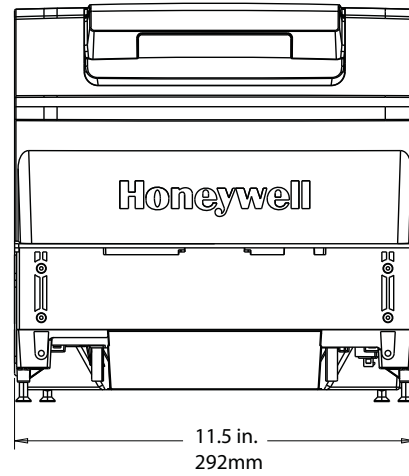
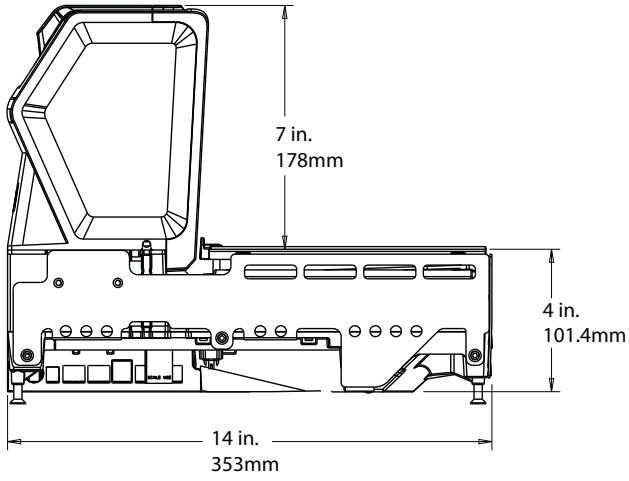
2D bar codes, such as drivers' licenses or coupons on mobile phones, must be scanned using the vertical window. Linear bar codes can be scanned using either the vertical or the horizontal window.



Installation

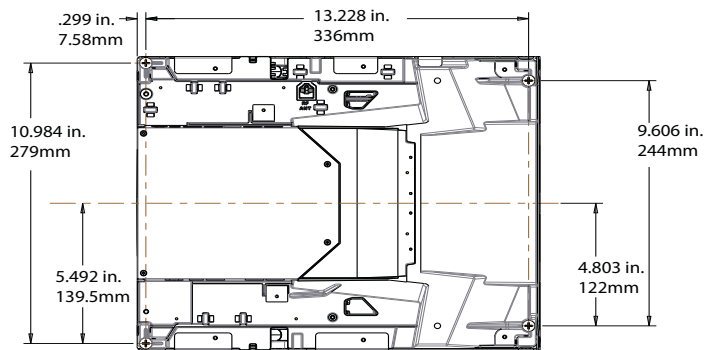
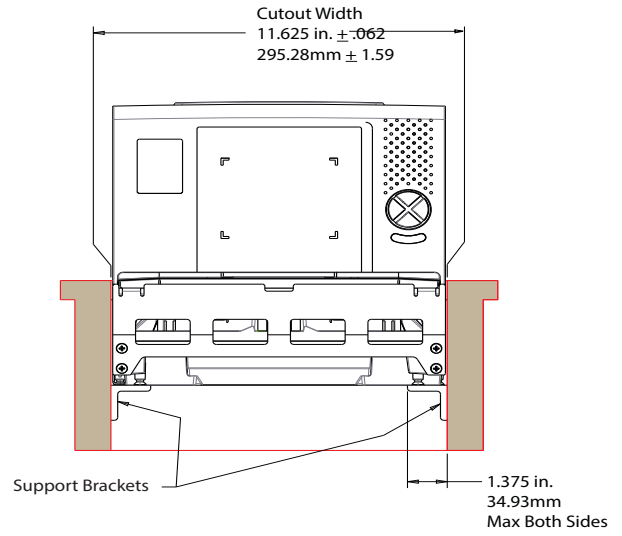
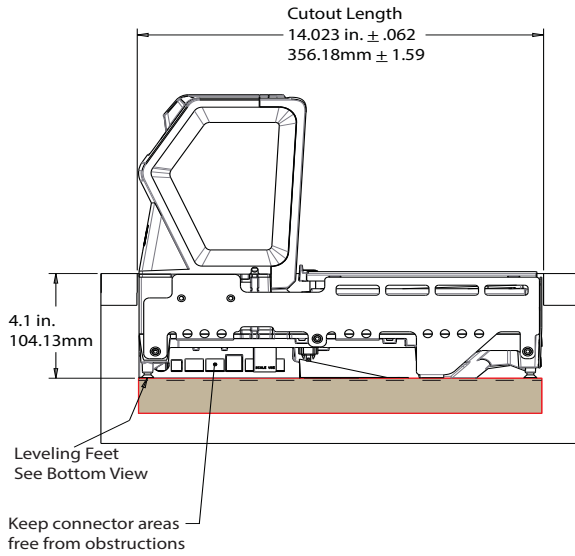
Installation Diagrams

Stratos 2751 Product Dimensions



Stratos 2751 Installation Dimensions

Note: Cutout wall must not contact the platter.

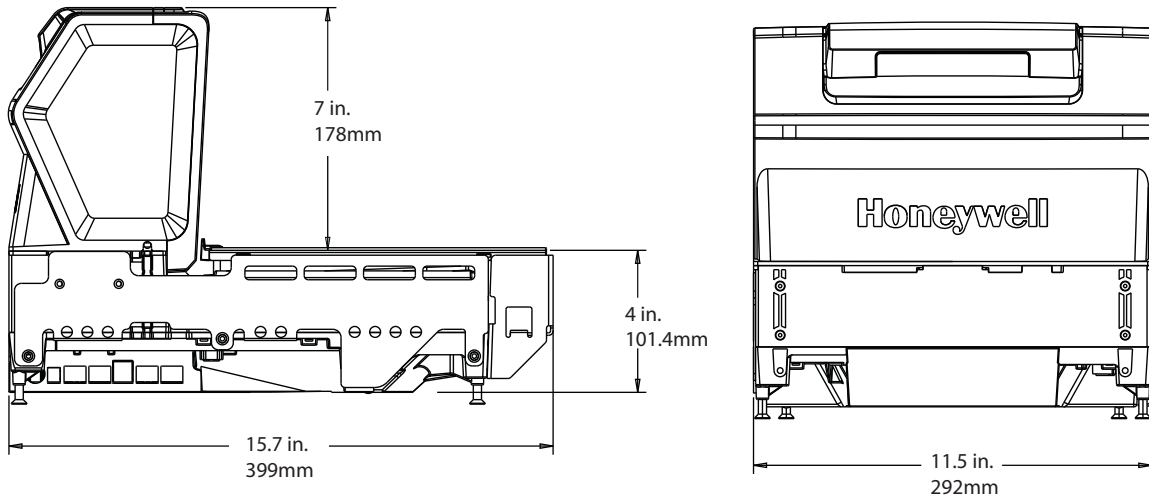


Bottom View

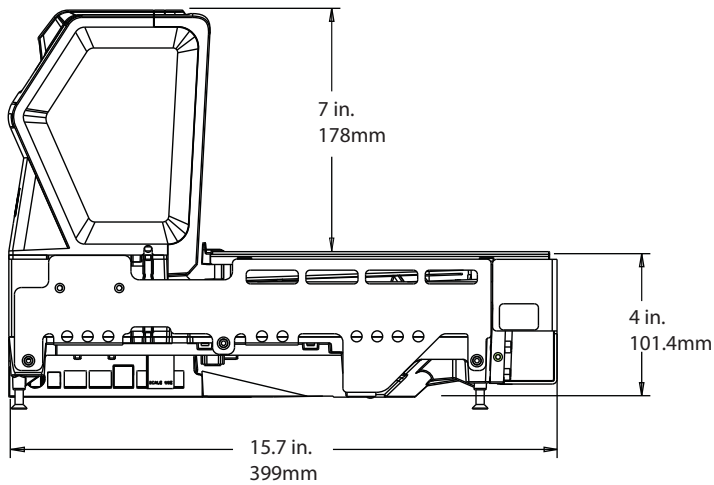
Note: "L" brackets and other counter mounting hardware are not included with the Stratos 2700.

Stratos 2752 Product Dimensions

Stratos 2752 without scale:

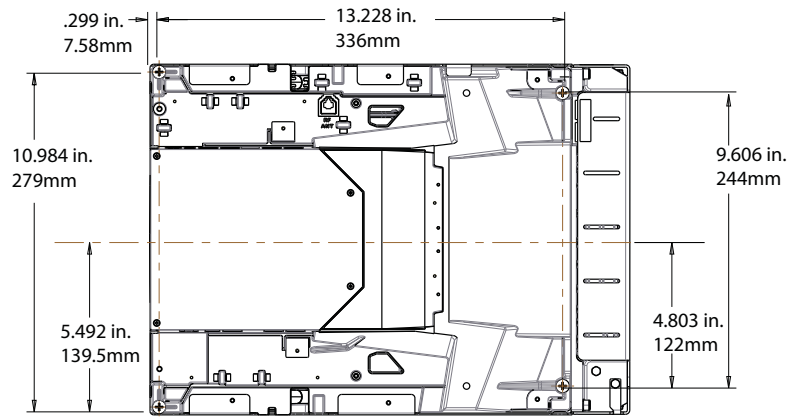
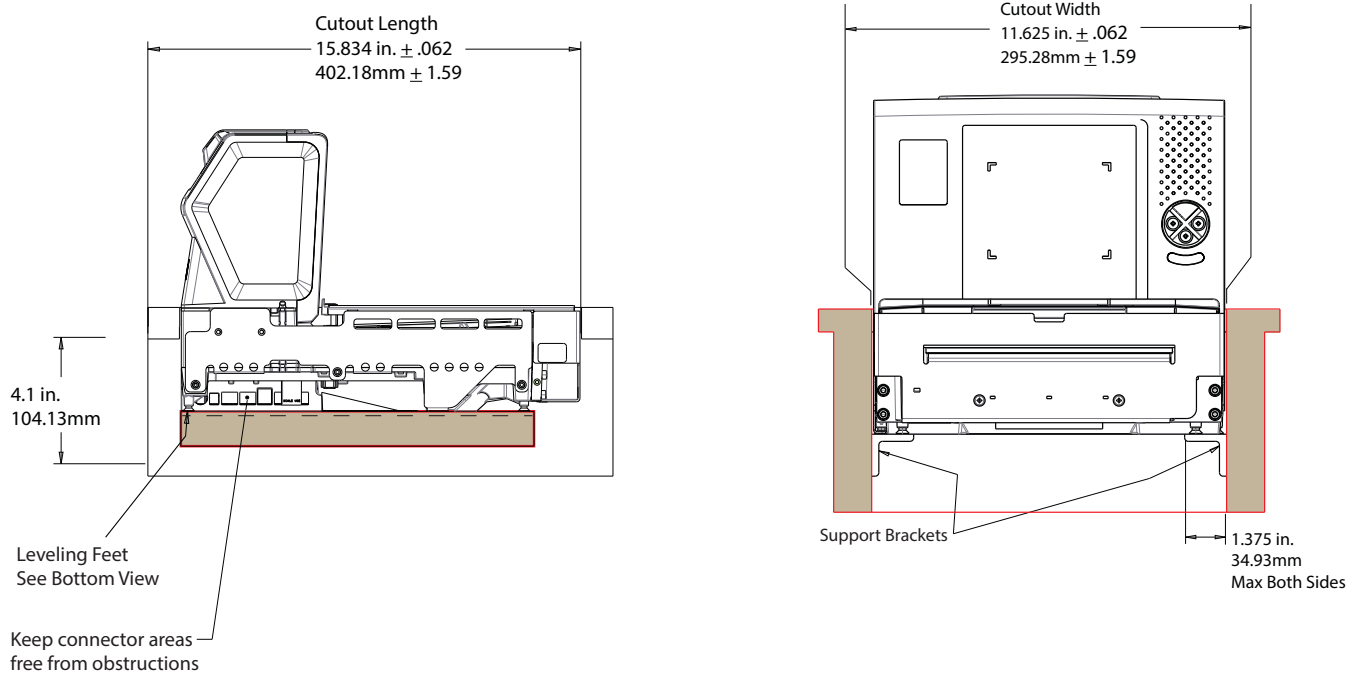


Stratos 2752 with scale:



Stratos 2752 Installation Dimensions

Note: Cutout wall must not contact the platter.

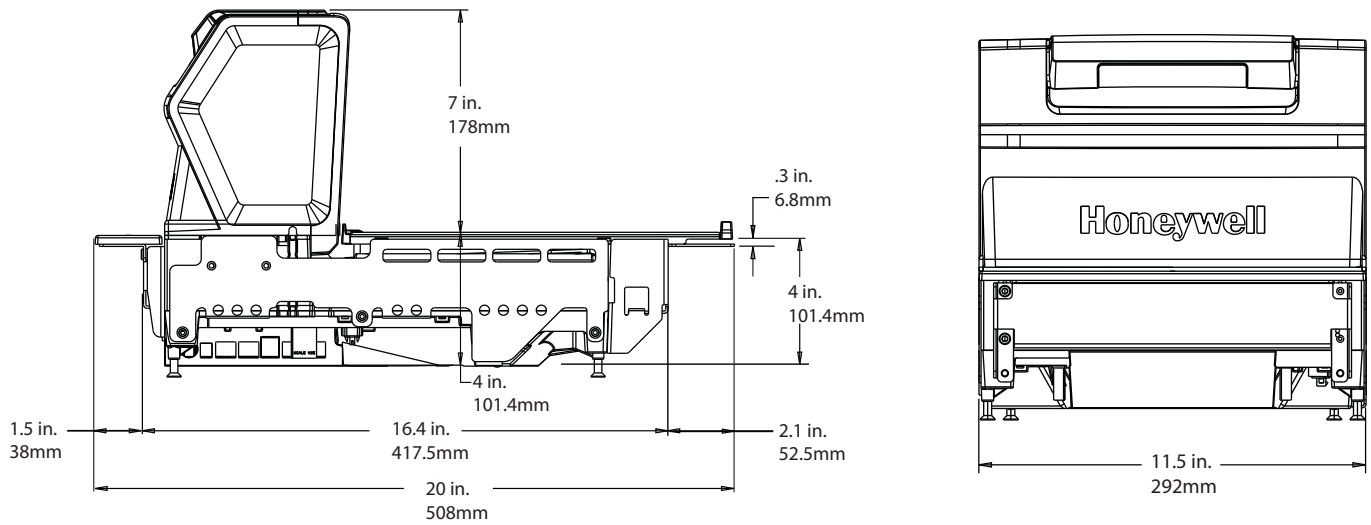


Bottom View

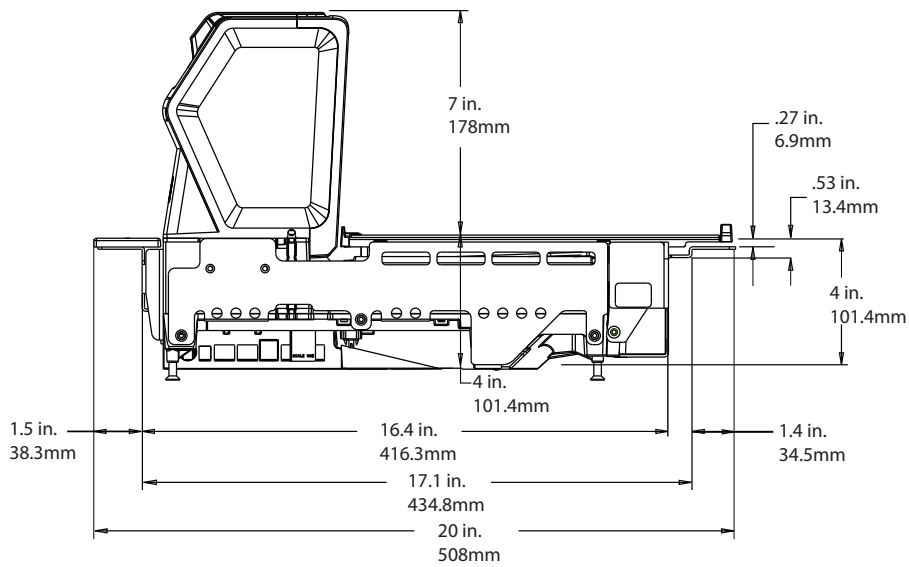
Note: "L" brackets and other counter mounting hardware are not included with the Stratos 2700.

Stratos 2753 Product Dimensions

Stratos 2753 without scale:

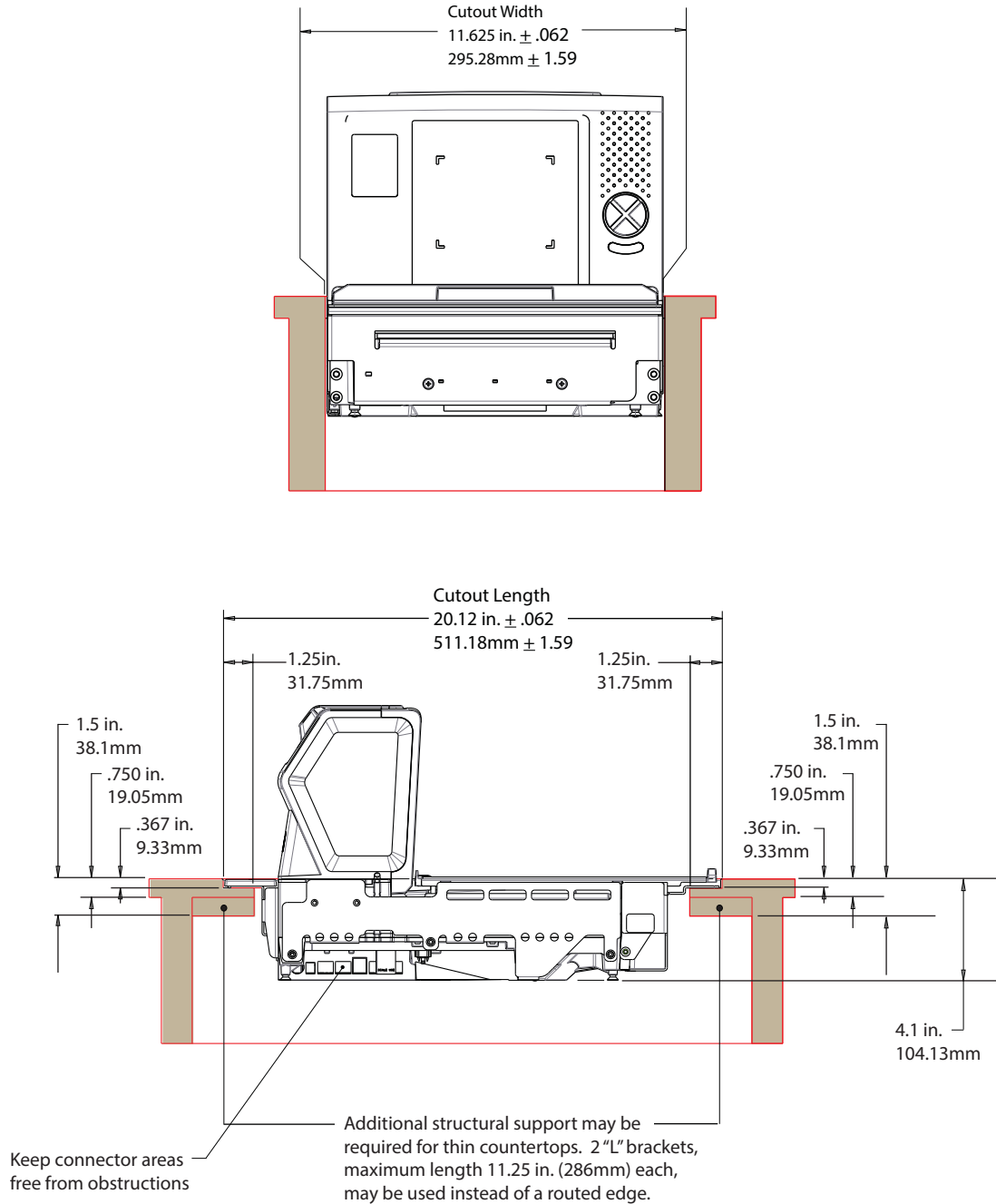


Stratos 2753 with scale:



Stratos 2753 2 Point Installation Dimensions

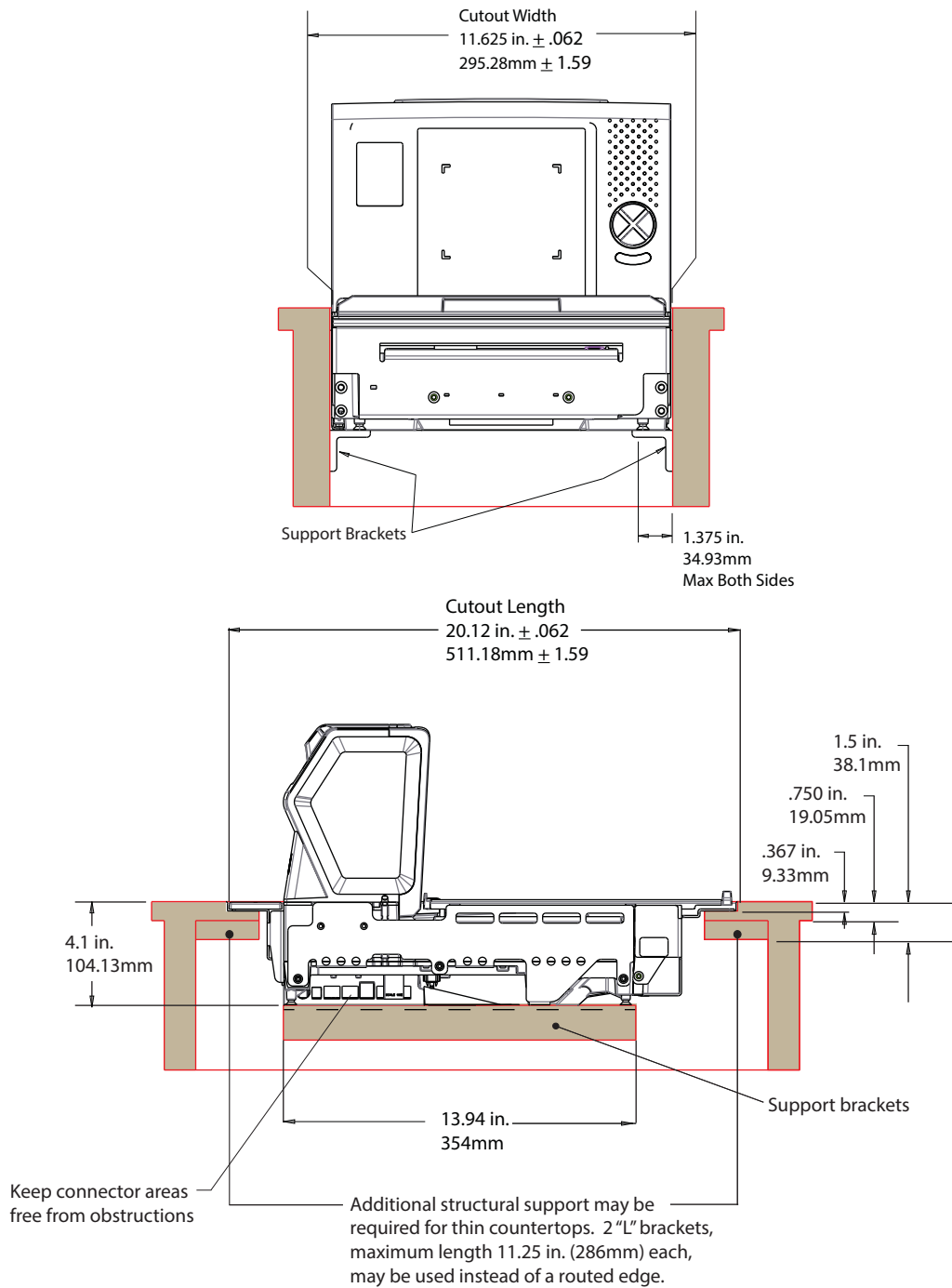
Note: Cutout wall must not contact the platter.



Note: "L" brackets and other counter mounting hardware are not included with the Stratos 2700.

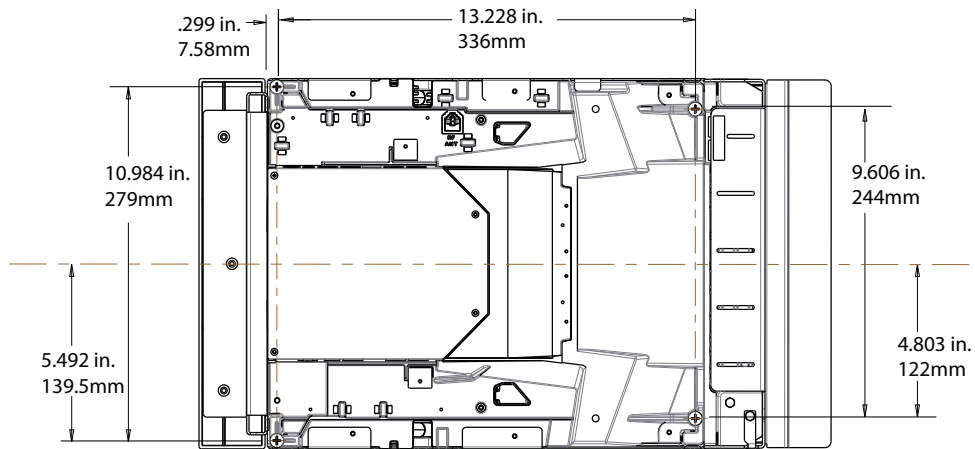
Stratos 2753 3 Point Installation Dimensions

Note: Cutout wall must not contact the platter.



Note: "L" brackets and other counter mounting hardware are not included with the Stratos 2700.

Stratos 2753 Bottom View



Bottom View

Installing the Stratos Bioptic

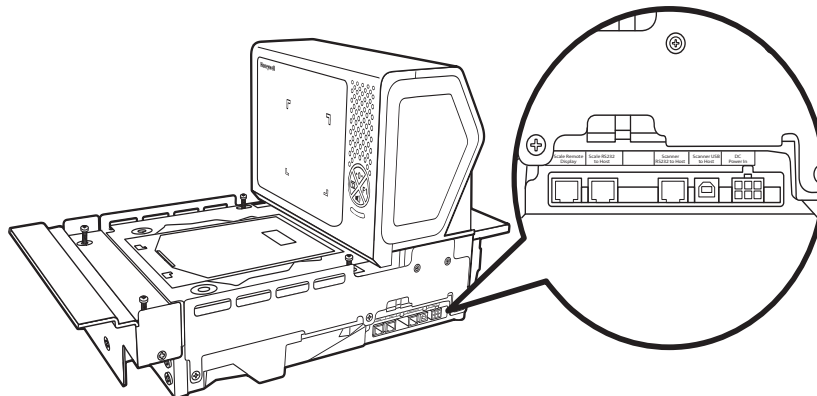
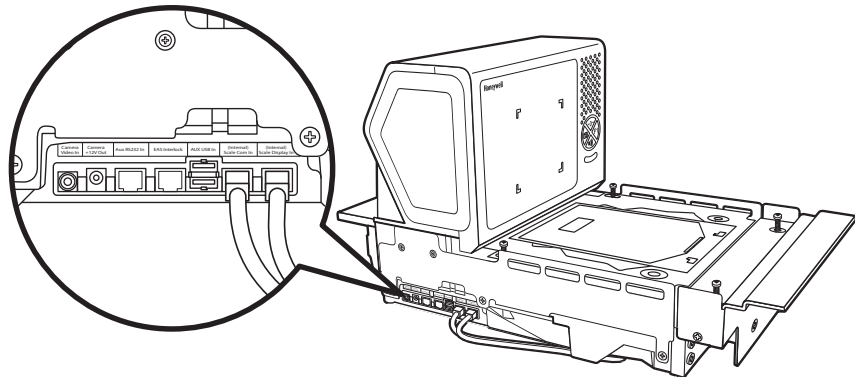
Step 1. Shut down the POS system.

Step 2. Connect the appropriate cables from the host system and auxiliaries to the ports on the 2700.

Device Ports

Left Side Ports:

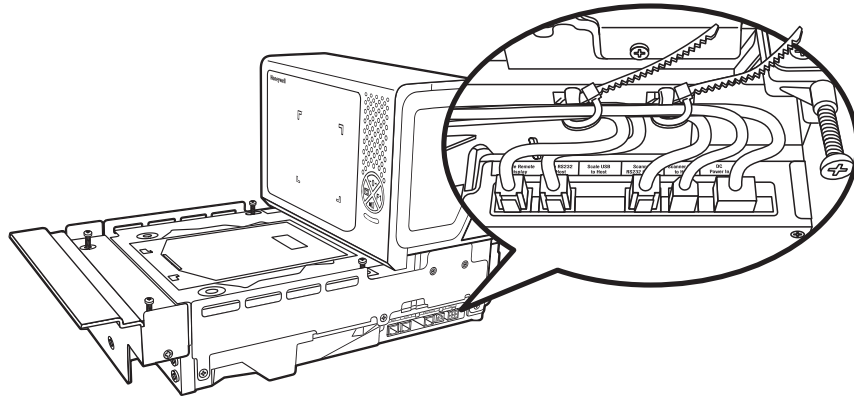
- Camera Video In
- Camera +12V Out (future use)
- Aux RS232 In
- EAS Interlock
- Aux USB In
- (Internal) Scale Com In
- (Internal) Scale Display In



Right Side Ports:

- Scale Remote Display
- Scale RS232 to Host
- Scanner RS232 to Host
- Scanner USB to Host
- DC Power In

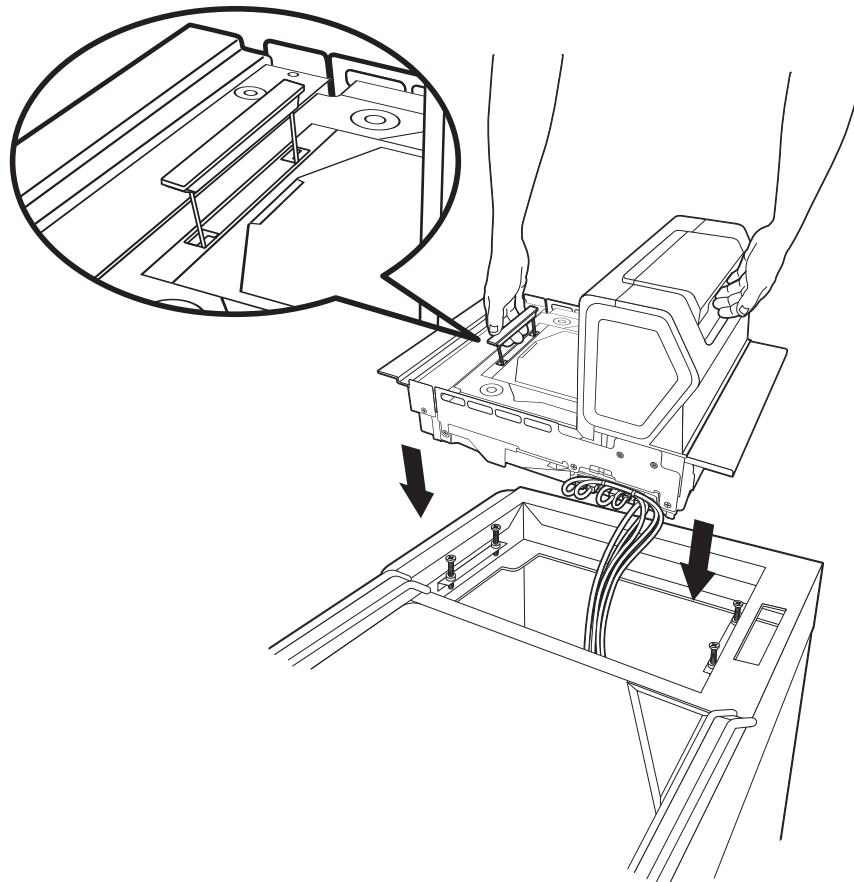
Step 3. Use cable ties to secure the cables to the sides so they won't interfere with installation.



Note: Cable ties are not included with the Stratos 2700.

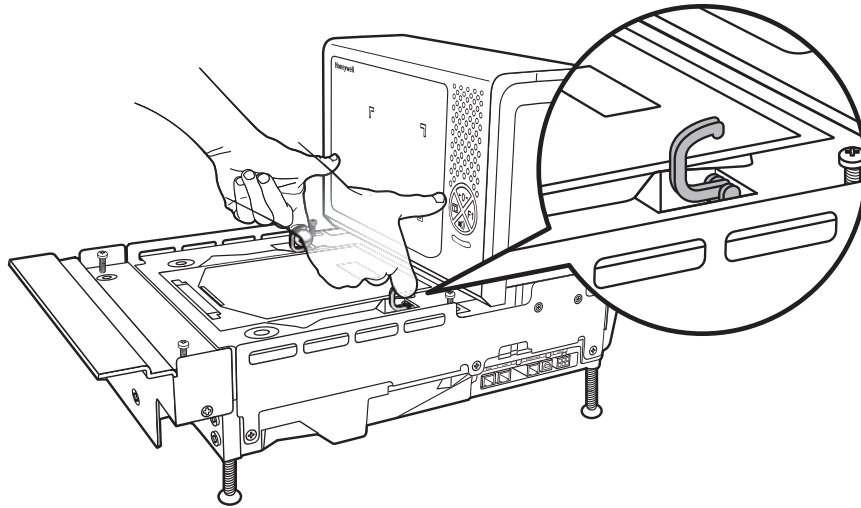
Placing the Stratos Bioptic in the Check Stand

Pull up the lift handle located in front of the horizontal window. Use this lift handle with one hand and grasp the 2700 underneath the vertical display with the other hand. Carefully lower the 2700 into the check stand cutout. Push the retractable handle back in.

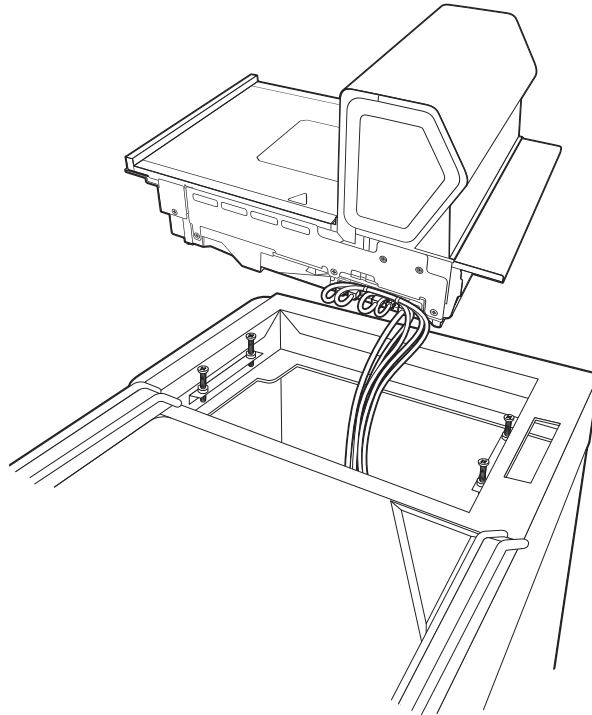


Alternate Lift Method

There are also two finger handles located near the base of the vertical window. Swing them up into position with your index fingers. Hook both your index fingers into these handles and rest both thumbs against the vertical window frame for added stability. Carefully lower the 2700 into the check stand cutout.



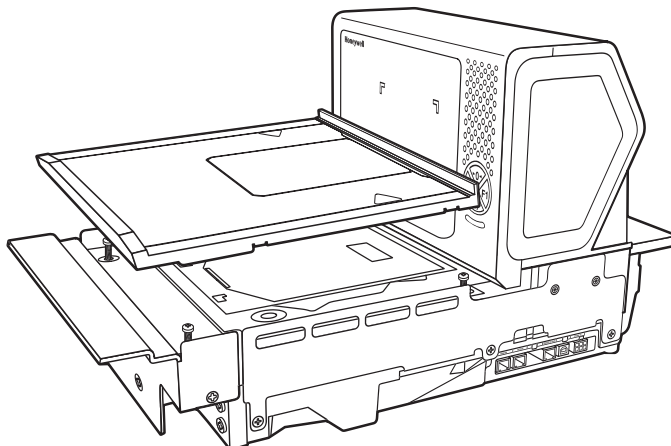
Step 4. Route the cables through the check stand cutout to the POS terminal.



Note: "L" brackets and other counter mounting hardware are not included with the Stratos 2700.

Place the Platter

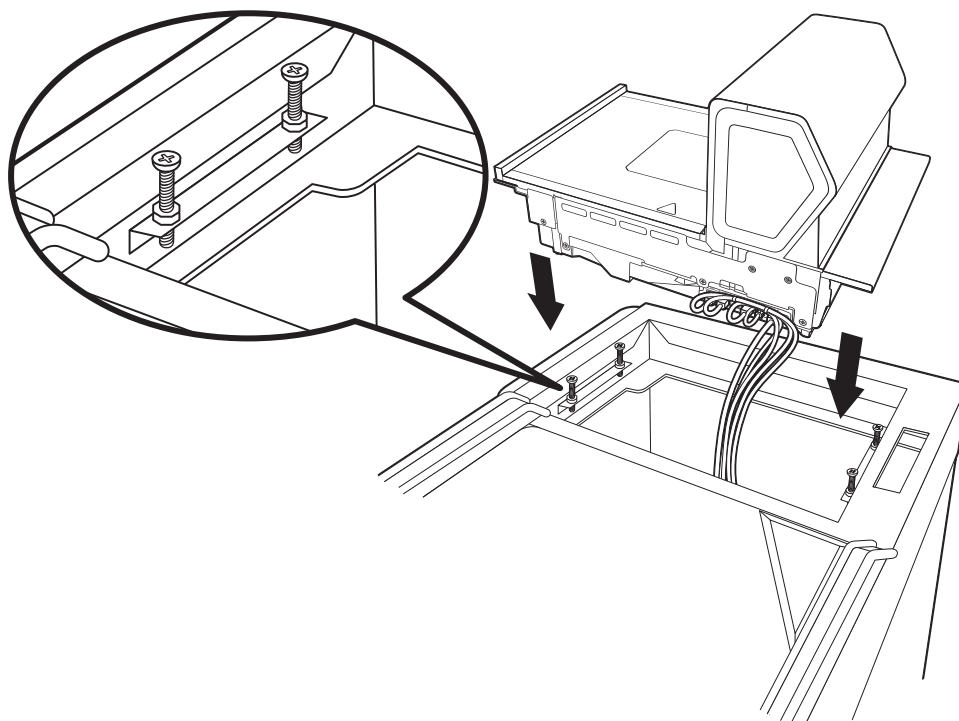
Place the platter in position over the horizontal window.



WARNING: Do not attempt to adjust the screws that support the platter. Any attempt to do so may throw the scale out of calibration.

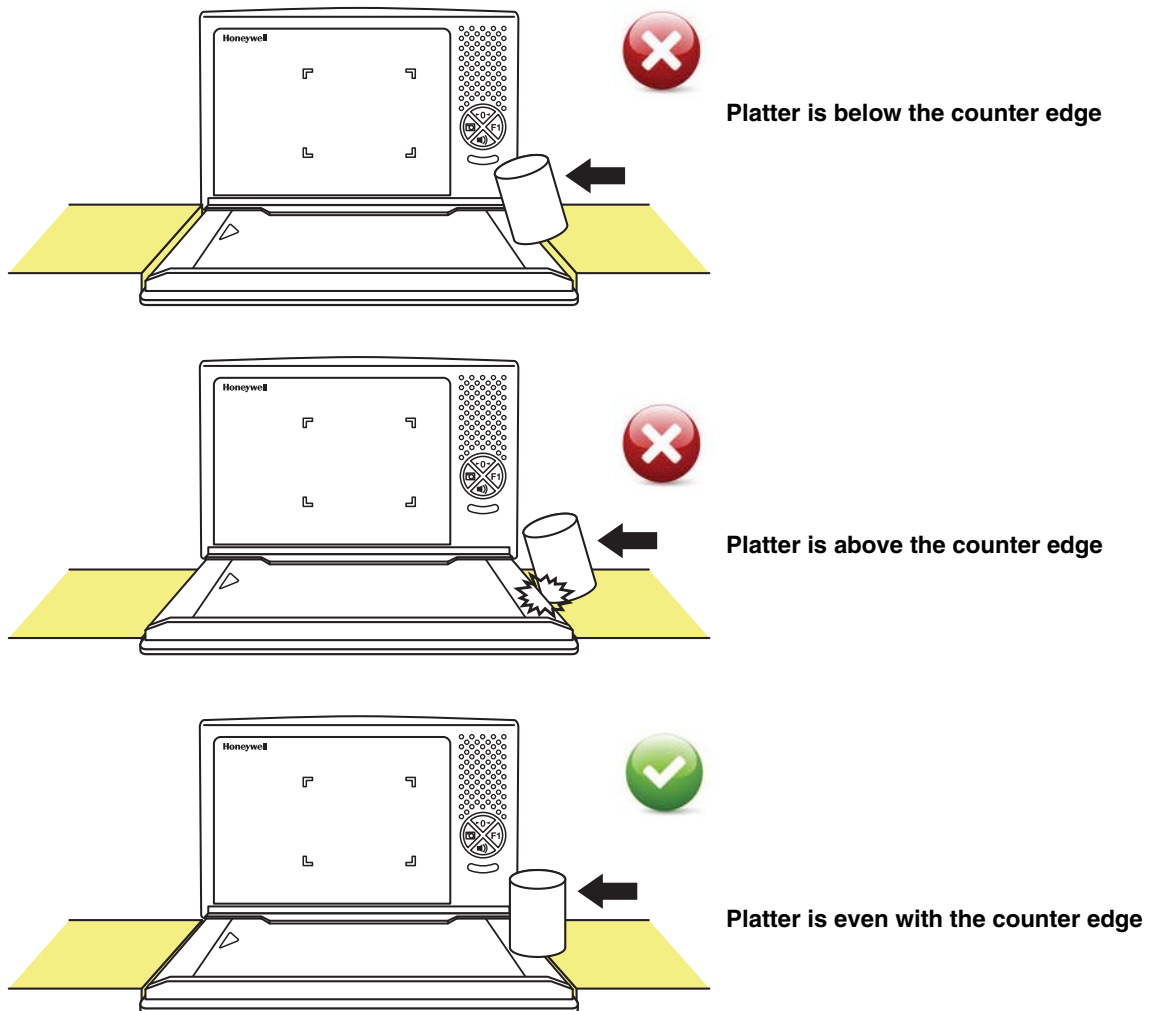
Adjust the Height

Make sure the platter is at the correct height and completely level. The front edge of the platter should be flush with the check stand. To adjust the height, turn the leveling screws. If the model 2753 is installed, adjust the 4 leveling screws in the check stand until the platter is at the correct height.



Remove the platter and make sure the scanner is level both with and without the platter installed. For installations that do not have hanging ledges, adjust the leveling feet at the bottom 4 corners of the scanner until the platter is at the correct height.

Check the platter height by sliding an item across the check stand and the platter. If you feel it bump over the leading or trailing edge, adjust the leveling screws until it passes over the platter smoothly. The center of the platter should be slightly higher than the counter so that when an item is placed on the scale, the item's edges do not rest on the counter.



Leveling

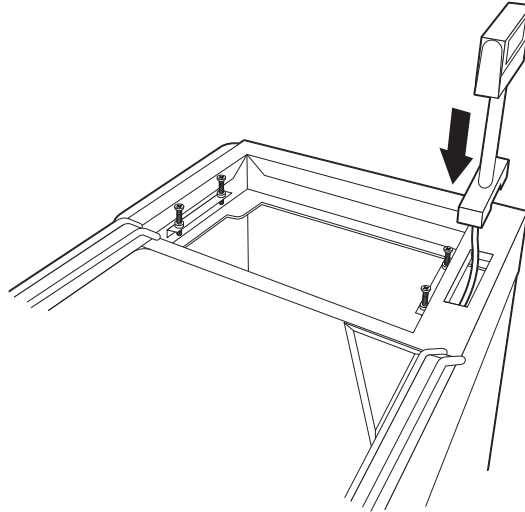
Press your hands on each corner of the platter and gently rock the opposite corners. If the platter rocks on any corner, adjust the leveling screws. Check the bubble level beneath the platter. It should indicate when the 2700 is level.



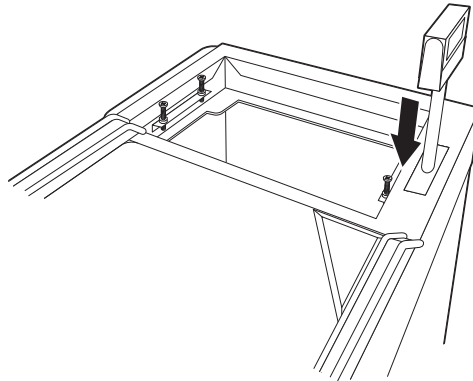
If the scale is not level, it may fall out of calibration and cannot be used. You must level it in order for it to perform properly. Once the 2700 is at the correct height and level, lock down the leveling screws with the bolt at the bottom.

Pole Display (if included)

Step 1. Route the pole display cables through the pole opening (if pole display is included).

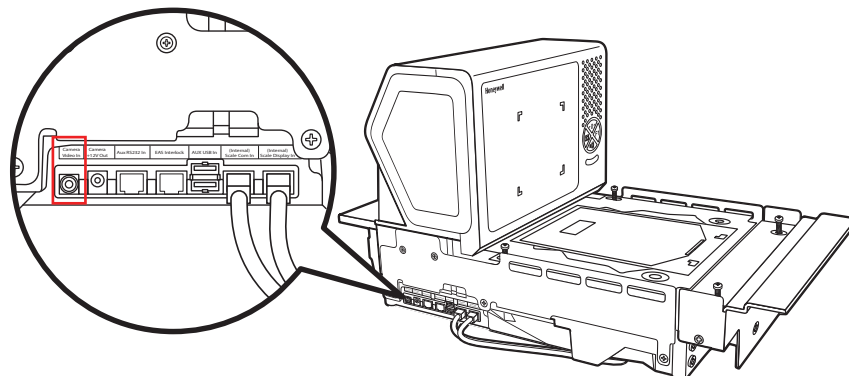


Step 2. Mount the pole display.



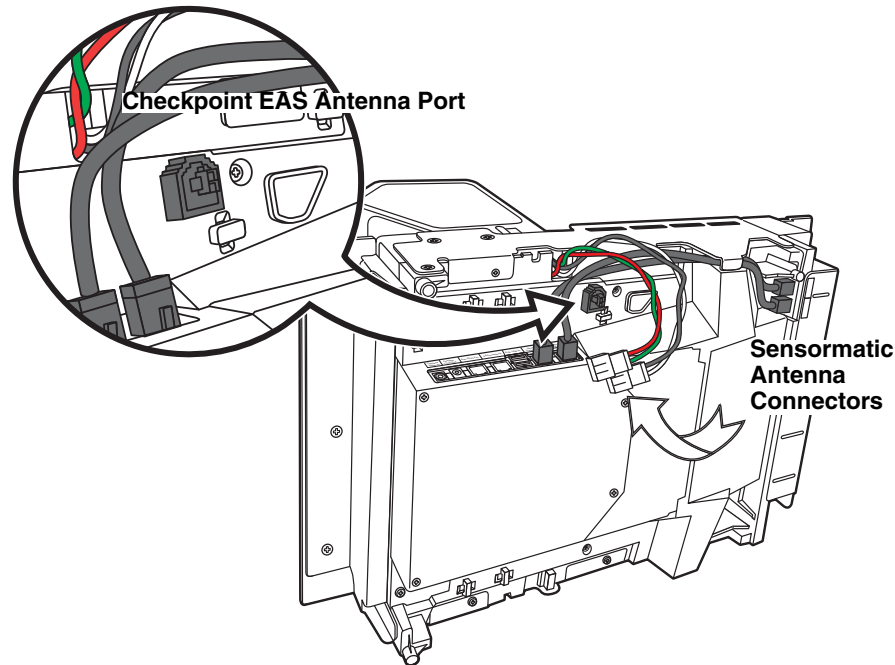
Connecting an LCD Video Display

You may install a VGA camera and position it to view the bottom of a shopping basket. Connect the yellow video line from the camera to the port marked **Camera Video In**.



The images from the video camera are shown in the upper left corner of the scanner's vertical tower.

Connecting EAS



Checkpoint®

When connecting to a Checkpoint EAS system, connect the Checkpoint EAS interlock cable (if required) to the EAS interlock port on the left side of the 2700 (see [Device Ports](#) on page 2-8). Connect the Checkpoint antenna cable to the antenna port on the underside of the 2700, shown above. Refer to [EAS Settings](#) beginning on page 10-1 for configuration codes and further EAS programming information.

Sensormatic®

When connecting to a Sensormatic EAS system, connect the Sensormatic RS232 control line to the EAS interlock port on the left side of the 2700 (see [Device Ports](#) on page 2-8). Connect the Sensormatic antenna cables to the multi-colored antenna connectors on the underside of the 2700, shown above. Contact Tyco for further information about Sensormatic installation and configuration. Refer to [EAS Settings](#) beginning on page 10-1 for Stratos bioptic configuration codes and further EAS programming information.

Connecting to the POS System

Step 1. Turn off the host system.

Step 2. If using a single cable, plug one end of the interface cable into the port labeled for your interface on the right side of the Stratos bioptic:

USB: **Scanner USB to Host**

RS232: **Scanner RS232 to Host**

RS485: **Scanner RS232 to Host**

When using a dual cable, plug an RS232 cable into the Scale to Host port on the right side of the Stratos bioptic.

If using a USB Plus Power connection to the host (12V), match the turquoise cable connector to the turquoise receptor on the 2700.

- Step 3.** Connect the other end of the interface cable to the appropriate communication port on the host's scale device.
- Step 4.** Plug the optional remote display cable into the port labeled **ScaleRemote Display** on the right side of the Stratos bioptic.
- Step 5.** Plug the external power supply into the 3-pin socket labeled **DC Power In** on the right side of the Stratos bioptic.
- Step 6.** Connect AC power to the transformer. If the AC outlet is equipped with an on/off switch, turn the power on.
- Step 7.** Configure the Stratos bioptic to match the host system's communication parameters. Refer to [Programming the Bioptic Scanner Interface](#) beginning on page 3-1.



Programming the Bioptic Scanner Interface

Introduction

This chapter describes how to program the Stratos bioptic scanner for the desired interface. To program the scale interface, refer to [Programming the Scale Interface](#), beginning on page 6-1.

Printing Single Bar Codes

If you wish to print single-page bar codes for any programming selection, hover your cursor over the bar code, and left click. A document with that bar code on a single page is displayed. Click the **Print** button to print that page.

The bar code document contains all the programming bar codes from this manual. You can scroll through the pdf to locate any other codes in which you are interested.

Menu Bar Code Security Settings

Honeywell scanners are programmed by scanning menu bar codes or by sending serial commands to the scanner. If you want to restrict the ability to scan menu codes, you can use the Menu Bar Code Security settings. Contact the nearest technical support office (see [Technical Assistance](#) on page 16-1) for further information.

Setting Custom Defaults

You have the ability to create a set of menu commands as your own, custom defaults. To do so, scan the **Set Custom Defaults** bar code below before scanning the menu commands for your custom defaults. If a menu command requires scanning numeric codes from the back cover, then a **Save** code, that entire sequence will be saved to your custom defaults. When you have entered all the commands you want to save for your custom defaults, scan the **Save Custom Defaults** bar code.



You may have a series of custom settings and want to correct a single setting. To do so, just scan the new setting to overwrite the old one. For example, if you had previously saved the setting for Beeper Volume at Low to your custom defaults, and decide you want the beeper volume set to High, just scan the **Set Custom Defaults** bar code, then scan the Beeper Volume High menu code, and then **Save Custom Defaults**. The rest of the custom defaults will remain, but the beeper volume setting will be updated.

Resetting the Custom Defaults

If you want the custom default settings restored to your scanner, scan the **Activate Custom Defaults** bar code below. This is the recommended default bar code for most users. It resets the scanner to the custom default settings. If there are no custom defaults, it will reset the scanner to the factory default settings. Any settings that have not been specified through the custom defaults will be defaulted to the factory default settings.



DEFAULT.

Activate Custom Defaults

Programming the Scanner Interface - Plug and Play

Plug and Play bar codes provide instant scanner set up for commonly used interfaces. They are also used to program the scanner portion when using a dual cable interface.

Note: After you scan one of the codes, power cycle the scanner to have the interface in effect.

For scale and scanner/scale interfaces, refer to [Programming the Scale Interface](#) on page 6-1. For EAS Interfaces, refer to [Programming the EAS Interface](#) on page 10-3.

RS232 Serial Port Interface

The **RS232 Interface** bar code is used when connecting to the serial port of a PC or terminal. The following **RS232 Interface** bar code programs a carriage return (CR) and a line feed (LF) suffix, baud rate, and data format as indicated below.

| Option | Setting |
|-------------|--|
| Baud Rate | 9,600 bps |
| Data Format | 8 data bits, no parity bit, 1 stop bit |



PAP232.

RS232 OPOS Scanner Only - Dual Cable

Scan the following bar codes to configure the Stratos bioptic as a scanner only, using the OPOS drivers in dual cable mode. In a dual cable environment, the scanner and scale work independently. In this mode, the host must have a dedicated RS232 port to receive the scale data and the bar code data is sent via its own cable to a separate communication port. The bar codes below program the following baud rates and data formats:

| Programming Code | Data Format |
|------------------|--|
| 9600 Baud | 8 data bits, no parity bit, 1 stop bit |
| 38,400 Baud | 8 data bits, no parity bit, 1 stop bit, Flow Control, No Timeout |



PAP0PS.

**RS232 OPOS Scanner Only -
Dual Cable
9600 Baud**



PAP911.

**RS232 OPOS Scanner Only -
Dual Cable
38,400 Baud**

USB Interface

USB PC or Macintosh Keyboard

Scan one of the following codes to program the scanner for USB PC Keyboard or USB Macintosh Keyboard. Scanning these codes also adds a CR suffix.



PAP124.

USB Keyboard (PC)



PAP125.

USB Keyboard (Mac)



PAP134.

USB Japanese Keyboard (PC)

USB HID

Scan the following code to program the scanner for USB HID bar code scanners.



PAP131.

USB HID Bar Code Scanner

USB Serial Commands

USB Serial Emulation

Scan the following code to program the scanner to emulate a regular RS232-based COM Port. If you are using a Microsoft® Windows® PC, you will need to download a driver from the Honeywell website (www.honeywellaidc.com). The driver will use the next available COM Port number. Apple® Macintosh computers recognize the scanner as a USB CDC class device and automatically use a class driver.



TRMUSB130.

USB Serial



PAP130.

**USB Serial Emulation for
Windows XP, Windows Server
2003, and later**



REMIFCO;PAP130.

USB Serial Emulation for Windows 2000

Note: No extra configuration (e.g., baud rate) is necessary.

CTS/RTS Emulation



USBCTS1.

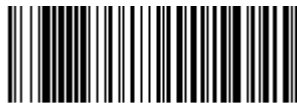
CTS/RTS Emulation On



USBCTS0.

*** CTS/RTS Emulation Off**

ACK/NAK Mode



USBACK1.

ACK/NAK Mode On



USBACK0.

*** ACK/NAK Mode Off**

USB Host Power

When using host power for a USB interface, you may use the following settings to conserve power:

Scan **No Power Management** if the scanner is self-powered.

Scan **Reduced Motor Speed During Power On** if the scanner is being powered by the USB connection from the host. This saves power by reducing motor speed.

Scan **Motor/Beeper Power Save** if the scanner is being powered by the USB connection from the host. This saves power by reducing both motor speed and beeper power usage.

Scan **Combined Power Save Mode** if the scanner is being powered by the USB connection from the host. This saves the most power by combining the two modes above.

Default = No Power Management.



PWRUSB0.

*** No Power Management**



PWRUSB1.

Reduced Motor Speed During Power On



PWRUSB2.

Motor/Beeper Power Save



PWRUSB3.

Combined Power Save Modes

Host System Plug and Play Codes

RS485

Scan one of the following “Plug and Play” codes to program the scanner for an IBM POS terminal interface at address 4B.

Note: After scanning one of these codes, you must power cycle the cash register.



PAPP5B.

IBM Port 5B Interface



PAPP9B1.

IBM Port 9B
HHBCR-1 Interface



PAPP9B2.

IBM Port 9B
HHBCR-2 Interface



PAPP17.

IBM Port 17 Interface

Each bar code above also programs the following suffixes for each symbology:

| Symbology | Suffix | Symbology | Suffix |
|-----------|--------|--------------------|----------|
| EAN 8 | 0C | Code 39 | 00 0A 0B |
| EAN 13 | 16 | Interleaved 2 of 5 | 00 0D 0B |
| UPC A | 0D | Code 128 * | 00 0A 0B |
| UPC E | 0A | Code 128 ** | 00 18 0B |
| | | MaxiCode | 00 2F 0B |

* Suffixes programmed for Code 128 with IBM 4683 Port 5B, IBM 4683 Port 9B HHBCR-1, and IBM 4683 Port 17 Interfaces

**Suffixes programmed for Code 128 with IBM 4683 Port 9 HHBCR-2 Interface

IBM 46XX - Scanner Only

The following bar code sets the scanner for IBM 46XX RS485 emulation, scanner-only protocol defaults.



PAP952.

IBM 46XX - Scanner Only

IBM Port 17 Interface - Scanner Only

The following bar code forces the Stratos bioptic to operate as an IBM tabletop scanner when connected via a single RS485 cable at address 4A.



PAPPTT.

IBM Port 17 Interface - Scanner Only

RS485 Packet Mode

The following selection allows you to break up large bar code data into smaller packets on an IBM POS terminal. To break up large bar codes into small packets, scan the **Packet Mode On** bar code, below. Scan the **Packet Mode Off** bar code if you want large bar code data to be sent to the host in a single chunk. *Default = Packet Mode Off.*



RTLPDF0.

*** Packet Mode Off**



RTLPDF1.

Packet Mode On

RS485 Packet Length

If you are using Packet mode, you can specify the size of the data “packet” that is sent to the host. Scan the **Packet Length** bar code, then the packet size (from 20 - 255) from the [Programming Chart](#) inside the back cover of this manual, then **Save**. *Default = 40.*



RTLMPS.

Packet Length

USB - IBM SurePos

Scan one of the following “Plug and Play” codes to program the scanner for an IBM SurePos (USB handheld scanner) or IBM SurePos (USB tabletop scanner) interface.

Note: After scanning one of these codes, you must power cycle the cash register.



PAPSPH.
**USB IBM SurePos
(USB Handheld Scanner)
Interface**



PAPSPT.
**USB IBM SurePos
(USB Tabletop Scanner)
Interface**

Each bar code above also programs the following suffixes for each symbology:

| Symbology | Suffix | Symbology | Suffix |
|-----------|--------|--------------------|----------|
| EAN 8 | 0C | Code 39 | 00 0A 0B |
| EAN 13 | 16 | Interleaved 2 of 5 | 00 0D 0B |
| UPC A | 0D | Code 128 | 00 18 0B |
| UPC E | 0A | Code 39 | 00 0A 0B |

NCR Host System Scanner Only - Dual Cable

Scan the following bar code to place the scanner in dual cable mode. In a dual cable environment, the scanner and scale work independently. In this mode, the host must have a dedicated RS232 port to receive the scale data and the bar code data is sent via its own cable to a separate communication port. The following bar code programs a carriage return (CR) suffix, NCR Code IDs, baud rate, and data format as indicated below.

| Option | Setting |
|-------------|--|
| Baud Rate | 9,600 bps |
| Data Format | 8 data bits, no parity bit, 1 stop bit |



PAP953.
NCR Scanner Only - Dual Cable

Verifone® Ruby Terminal Default Settings

Scan the following bar code to program the scanner for a Verifone Ruby terminal. This bar code sets the baud rate to 1200 bps and the data format to 8 data bits, no parity bit, 1 stop bit. It also adds a line feed (LF) suffix and programs the following prefixes for each symbology:

| Symbology | Prefix |
|------------------|---------------|
| UPC-A | A |
| UPC-E | A |
| EAN-8 | FF |
| EAN-13 | F |



PAPRBY.

Verifone Ruby Settings

Gilbarco® Terminal Default Settings

Scan the following bar code to program the scanner for a Gilbarco terminal. This bar code sets the baud rate to 2400 bps and the data format to 7 data bits, even parity, 2 stop bits. It also adds a carriage return (CR) suffix and programs the following prefixes for each symbology:

| Symbology | Prefix |
|------------------|---------------|
| UPC-A | A |
| UPC-E | E0 |
| EAN-8 | FF |
| EAN-13 | F |



PAPGLB.

Gilbarco Settings

Wincor Nixdorf Terminal Default Settings

Scan the following bar code to configure the scanner for a Wincor Nixdorf terminal. This bar code sets the baud rate to 9600 bps and the data format to 8 data bits, no parity, 1 stop bit.



PAPWNX.

Wincor Nixdorf Terminal Settings

Wincor Nixdorf Beetle™ Terminal Default Settings

Scan the following bar code to configure the scanner for a Wincor Nixdorf Beetle terminal. The following prefixes are programmed for each symbology:



PAPBTL.

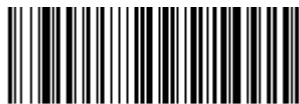
Wincor Nixdorf Beetle Settings

| Symbology | Prefix | Symbology | Prefix |
|-----------|--------|----------------------|--------|
| Code 128 | K | EAN-13 | A |
| Code 93 | L | GS1-128 | P |
| Codabar | N | Interleaved 2 of 5 | I |
| UPC-A | A0 | Plessey | O |
| UPC-E | C | Straight 2 of 5 IATA | H |
| EAN-8 | B | All other bar codes | M |

Keyboard Country Layout

Scan the appropriate country code below to program the keyboard layout for your country or language. As a general rule, the following characters are supported, but need special care for countries other than the United States: @ | \$ # { } [] = / ' \ < > ~

Keyboard Countries



KBDCTY0.

* United States



KBDCTY35.

Albania



KBDCTY91.

Arabic



KBDCTY81.

Azeri (Cyrillic)



KBDCTY80.

Azeri (Latin)

Keyboard Countries (Continued)



KBDCTY1.
Belgium



KBDCTY16.
Brazil



KBDCTY52.
Bulgaria (Cyrillic)



KBDCTY54.
Canada (French legacy)



KBDCTY82.
Belarus



KBDCTY33.
Bosnia



KBDCTY59.
Brazil (MS)



KBDCTY53.
Bulgaria (Latin)



KBDCTY18.
Canada (French)

Keyboard Countries (Continued)



KBDCTY55.
Canada (Multilingual)



KBDCTY32.
Croatia



KBDCTY40.
Czech (Programmers)



KBDCTY38.
Czech (QWERTZ)



KBDCTY11.
Dutch (Netherlands)



KBDCTY92.
China



KBDCTY15.
Czech



KBDCTY39.
Czech (QWERTY)



KBDCTY8.
Denmark

Keyboard Countries (Continued)



KBDCTY83.
Faroese



KBDCTY3.
France



KBDCTY4.
Germany



KBDCTY64.
Greek (220 Latin)



KBDCTY41.
Estonia



KBDCTY2.
Finland



KBDCTY84.
Gaelic



KBDCTY17.
Greek



KBDCTY61.
Greek (220)

Keyboard Countries (Continued)



KBDCTY65.
Greek (319 Latin)



KBDCTY62.
Greek (319)



KBDCTY63.
Greek (Latin)



KBDCTY66.
Greek (MS)



KBDCTY60.
Greek (Polytonic)



KBDCTY12.
Hebrew



KBDCTY50.
Hungarian (101 key)



KBDCTY19.
Hungary



KBDCTY75.
Iceland

Keyboard Countries (Continued)



KBDCTY56.
Italian (142)



KBDCTY28.
Japan ASCII



KBDCTY93.
Korea



KBDCTY14.
Latin America



KBDCTY73.
Irish



KBDCTY5.
Italy



KBDCTY78.
Kazakh



KBDCTY79.
Kyrgyz (Cyrillic)

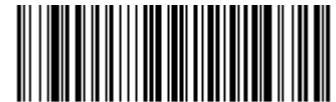


KBDCTY42.
Latvia

Keyboard Countries (Continued)



KBDCTY43.
Latvia (QWERTY)



KBDCTY44.
Lithuania



KBDCTY45.
Lithuania (IBM)



KBDCTY34.
Macedonia



KBDCTY74.
Malta



KBDCTY86.
Mongolian (Cyrillic)



KBDCTY9.
Norway



KBDCTY20.
Poland



KBDCTY57.
Polish (214)

Keyboard Countries (Continued)



KBDCTY58.
Polish (Programmers)



KBDCTY13.
Portugal



KBDCTY25.
Romania



KBDCTY26.
Russia



KBDCTY67.
Russian (MS)



KBDCTY68.
Russian (Typewriter)



KBDCTY21.
SCS



KBDCTY37.
Serbia (Cyrillic)

Keyboard Countries (Continued)



**KBDCTY36.
Serbia (Latin)**



**KBDCTY22.
Slovakia**



**KBDCTY49.
Slovakia (QWERTY)**



**KBDCTY48.
Slovakia (QWERTZ)**



**KBDCTY31.
Slovenia**



**KBDCTY10.
Spain**



**KBDCTY51.
Spanish variation**



**KBDCTY23.
Sweden**

Keyboard Countries (Continued)



KBDCTY6.
Switzerland (German)



KBDCTY94.
Thailand



KBDCTY24.
Turkey Q



KBDCTY7.
United Kingdom



KBDCTY29.
Switzerland (French)



KBDCTY85.
Tatar



KBDCTY27.
Turkey F



KBDCTY76.
Ukrainian



KBDCTY87.
United States (Dvorak)

Keyboard Countries (Continued)



KBDCTY88.
United States (Dvorak left)



KBDCTY89.
United States (Dvorak right)



KBDCTY30.
United States (International)



KBDCTY77.
Uzbek (Cyrillic)



KBDCTY95.
Vietnam

Keyboard Style

This programs keyboard styles, such as Caps Lock and Shift Lock. If you have used [Keyboard Conversion](#) settings, they will override any of the following Keyboard Style settings. *Default = Regular.*

Regular is used when you normally have the Caps Lock key off.



KBDSTY0.
* Regular

Caps Lock is used when you normally have the Caps Lock key on.



KBDSTY1.
Caps Lock

Shift Lock is used when you normally have the Shift Lock key on (not common to U.S. keyboards).



Automatic Caps Lock is used if you change the Caps Lock key on and off. The software tracks and reflects if you have Caps Lock on or off. This selection can only be used with systems that have an LED that notes the Caps Lock status (AT keyboards).



Autocaps via NumLock bar code should be scanned in countries (e.g., Germany, France) where the Caps Lock key cannot be used to toggle Caps Lock. The NumLock option works similarly to the regular Autocaps, but uses the NumLock key to retrieve the current state of the Caps Lock.



Emulate External Keyboard should be scanned if you do not have an external keyboard (IBM AT or equivalent).



Note: After scanning the Emulate External Keyboard bar code, you must power cycle your computer.

Keyboard Conversion

Alphabetic keyboard characters can be forced to be all upper case or all lowercase. So if you have the following bar code: "abc569GK," you can make the output "ABC569GK" by scanning **Convert All Characters to Upper Case**, or to "abc569gk" by scanning **Convert All Characters to Lower Case**.

These settings override [Keyboard Style](#) selections.

Note: If your interface is a keyboard wedge, first scan the menu code for [Automatic Caps Lock](#) (page 3-21). Otherwise, your output may not be as expected.

Default = Keyboard Conversion Off.





KBDCNV1.
Convert All Characters
to Upper Case



KBDCNV2.
Convert All Characters
to Lower Case

Keyboard Modifiers

This modifies special keyboard features, such as CTRL+ ASCII codes and Turbo Mode.

Turbo Mode.

Control + X (Control + ASCII) Mode On: The scanner sends key combinations for ASCII control characters for values 00-1F. Windows is the preferred mode. All keyboard country codes are supported. DOS mode is a legacy mode, and it does not support all keyboard country codes. New users should use the Windows mode. Refer to [Keyboard Function Relationships](#), page 11-1 for CTRL+ X Values.

Windows Mode Prefix/Suffix Off: The scanner sends key combinations for ASCII control characters for values 00-1F, but it does not transmit any prefix or suffix information.

Default = Control + X Mode Off.



KBDCAS2.
Windows Mode Control + X
Mode On



KBDCAS0.
* Control + X Mode Off



KBDCAS1.
DOS Mode Control + X Mode On



KBDCAS3.
Windows Mode Prefix/Suffix Off

Numeric Keypad Mode: Sends numeric characters as if entered from a numeric keypad. *Default = Off.*



KBDNPS1.

Numeric Keypad Mode On



KBDNPS0.

*** Numeric Keypad Mode Off**

RS232 Baud Rate

Baud Rate sends the data from the scanner to the terminal at the specified rate. The host terminal must be set for the same baud rate as the scanner. *Default = 9600.*



232BAD0.
300



232BAD1.
600



232BAD2.
1200



232BAD3.
2400



232BAD4.
4800



232BAD5.
*** 9600**



232BAD6.
19200



232BAD7.
38400



232BAD8.

57,600



232BAD9.

115,200

RS232 Word Length: Data Bits, Stop Bits, and Parity

Data Bits sets the word length at 7 or 8 bits of data per character. If an application requires only ASCII Hex characters 0 through 7F decimal (text, digits, and punctuation), select 7 data bits. For applications that require use of the full ASCII set, select 8 data bits per character. *Default = 8.*

Stop Bits sets the stop bits at 1 or 2. *Default = 1.*

Parity provides a means of checking character bit patterns for validity. *Default = None.*



232WRD0.

7 Data, 1 Stop, Parity None



232WRD3.

7 Data, 1 Stop, Parity Even



232WRD6.

7 Data, 1 Stop, Parity Odd



232WRD9.

7 Data, 1 Stop, Parity Space



232WRD12.

7 Data, 1 Stop, Parity M



232WRD4.
7 Data, 2 Stop Parity Even



232WRD10.
7 Data, 2 Stop, Parity Space



232WRD2.
* 8 Data, 1 Stop, Parity None



232WRD8.
8 Data, 1 Stop, Parity Odd



232WRD1.
7 Data, 2 Stop, Parity None



232WRD7.
7 Data, 2 Stop, Parity Odd



232WRD13.
7 Data, 2 Stop Parity M



232WRD5.
8 Data, 1 Stop, Parity Even



232WRD11.
8 Data, 1 Stop, Parity Space



232WRD14.

8 Data, 1 Stop, Parity M

RS232 Receiver Timeout

The unit stays awake to receive data until the RS232 Receiver Timeout expires. A bar code read resets the timeout. When an RS232 receiver is sleeping, a character may be sent to wake up the receiver and reset the timeout. A transaction on the CTS line will also wake up the receiver. The receiver takes 300 milliseconds to completely come up. Change the RS232 receiver timeout by scanning the bar code below, then scanning digits from the inside back cover of this manual, then scanning **Save**. The range is 0 to 65535 ms. *Default = 0 ms (no timeout - always on).*



232LPT.

RS232 Receiver Timeout

RS232 Handshaking

RS232 Handshaking allows control of data transmission from the scanner using software commands from the host device.

RTS/CTS Off: RTS/CTS is turned off so no data flow control is used, but RTS is still active.

RTS/CTS Off, RTS Inactive: RTS/CTS is turned off so no data flow control is used and RTS is inactive.

Flow Control, No Timeout: The scanner asserts RTS when it has data to send, and will wait indefinitely for CTS to be asserted by the host.

Character-Based Flow Control, No Timeout: The scanner asserts RTS when it has a character to send, and will wait indefinitely for CTS to be asserted by the host

Two-Direction Flow Control: The scanner asserts RTS when it is OK for the host to transmit. The host asserts CTS when it is OK for the device to transmit.

Flow Control with Timeout: The scanner asserts RTS when it has data to send and waits for a delay (see [RS232 Timeout](#) on page 3-29) for CTS to be asserted by the host. If the delay time expires and CTS is not asserted, the device transmit buffer is cleared and scanning may resume.

Character-Based Flow Control with Timeout: The scanner asserts RTS when it has a character to send and waits for a delay (see [RS232 Timeout](#), page 3-29) for CTS to be asserted by the host. If the delay time expires and CTS is not asserted, the device transmit buffer is cleared and scanning may resume.

CTS-Based Flow Control, No Timeout: When the host asserts CTS, scanning is enabled. When CTS is not asserted, scanning is disabled.

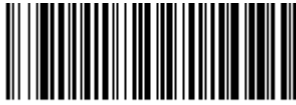
RTS On: RTS only is on during transmission. CTS is ignored.

Default = RTS/CTS Off.



232CTS0.

* **RTS/CTS Off**



232CTS1.
Flow Control, No Timeout



232CTS2.
Two-Direction Flow Control



232CTS4.
Character-Based Flow Control
with Timeout



232CTS8.
RTS On



232CTS10.
RTS/CTS Off, RTS Inactive



232CTS7.
Character-Based Flow Control,
No Timeout



232CTS3.
Flow Control with Timeout



232CTS5.
CTS-Based Flow Control, No
Timeout



232CTS9.
No RTS if CTS is On

RS232 Timeout

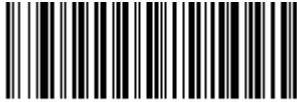
When using Flow Control with Timeout, you must program the length of the delay you want to wait for CTS from the host. Set the length (in milliseconds) for a timeout by scanning the bar code below, then setting the timeout (from 1-65535 milliseconds) by scanning digits from the inside back cover, then scanning **Save**. *Default = 1000.*



232DEL
RS232 Timeout

Host Communications Timeout Beeper

If you wish to hear a razz tone or a beep when a communications timeout is reached, scan one of the following bar codes. *Default = Timeout Beeper Off.*



HSTTOA0.
* Timeout Beeper Off



HSTTOA1.
Timeout Razz



HSTTOA1.
Timeout Beep

XON/XOFF

Standard ASCII control characters can be used to tell the scanner to start sending data (**XON/XOFF On**) or to stop sending data (**XON/XOFF Off**). When the host sends the XOFF character (DC3, hex 13) to the scanner, data transmission stops. To resume transmission, the host sends the XON character (DC1, hex 11). Data transmission continues where it left off when XOFF was sent. *Default = XON/XOFF Off.*



232XON1.
XON/XOFF On



232XON0.
* XON/XOFF Off

ACK/NAK

After transmitting data, the scanner waits for an ACK character (hex 06) or a NAK character (hex 15) response from the host. If ACK is received, the communications cycle is completed and the scanner looks for more bar codes. If NAK is received, the last set of bar code data is retransmitted and the scanner waits for ACK/NAK again. Turn on the ACK/NAK protocol by scanning the **ACK/NAK On** bar code below. To turn off the protocol, scan **ACK/NAK Off**. *Default = ACK/NAK Off.*



232ACK1.
ACK/NAK On



232ACK0.
*** ACK/NAK Off**

Host NAK Retries in ACK/NAK Mode

When in ACK/NAK mode, you may set the number of times a NAK is received before terminating the operation. Scan the bar code below, then scan the number of retries (from 1-255) by scanning digits from the inside back cover, then scanning **Save**. *Default = 0.*



HSTRTN.
Host NAK Retries

Host Timeout Retries in ACK/NAK Mode

When in ACK/NAK mode, you may set the number of timeouts in order to limit the number of ACK/NAK retries. Scan the bar code below, then scan the number of timeouts (from 1-255) by scanning digits from the inside back cover, then scanning **Save**. *Default = 0.*



HSTRTY.
Host Timeout Retries

Communication Timeout Beeper

This selection programs the scanner to issue an error beep when a communication timeout has occurred. The error beep sound is programmed using [Number of Beeps/LED Flashes – Error](#) (page 4-11). *Default = On.*



HSTTOA0.

Off



HSTTOA1.

* On

Timeout Retries

This setting limits the number of Communication Timeout retries. If the **Timeout Retries** is set to 0, the transmission is terminated after the initial Communication Timeout. Scan the bar code below, then set the number of retries (from 0-255) by scanning digits from the [Programming Chart](#), then scanning **Save**. (5 is the recommended setting.) *Default = 0.*



HSTRTY.

Timeout Retries

NAK Retries

This selection limits the number of NAK retries that can occur in ACK/NAK mode. Scan the bar code below, then set the number of retries (from 0-255) by scanning digits from the [Programming Chart](#), then scanning **Save**. (5 is the recommended setting.) *Default = 0, or disabled.*



HSTRTN.

NAK Retries

Support BEL/CAN in ACK/NAK

This protocol responds to <BEL> and <CAN> commands when in ACK/NAK mode. The scanner sounds an error tone when a <BEL> command is sent from the host. <CAN> terminates the transmission. *Default = BEL/CAN Off.*



BELCAN1.

BEL/CAN On



BELCAN0.

* BEL/CAN Off

RS232 Defaults

If you want the custom RS232 default settings restored to your scanner, scan the **RS232 Defaults** bar code below. This resets the scanner to the custom default settings (see [Setting Custom Defaults](#) on page 3-1). If there are no custom defaults, it will reset the scanner to the factory default settings. Any settings that have not been specified through the custom defaults will be restored to the factory default settings.



232DFT.
RS232 Defaults

NCR Modifiers

NCR ACK/NAK

This is an NCR communication protocol for ACK/NAK processing. *Default = NCR ACK/NAK Off.*



NCRACK0.
* NCR ACK/NAK Off



NCRACK1.
NCR ACK/NAK On

NCR Modes

Scan one of the following bar codes to set the message mode for an attached NCR device.

NCR Scanner Only Mode

Scan the **NCR Scanner Only Mode On** bar code to select the NCR scanner-only message format. (For more information, refer to the NCR Scanner/Scale Programmer's Guide.) *Default = NCR Scanner Only Mode Off.*



NCRSOM0.
* NCR Scanner Only Mode Off



NCRSOM1.
NCR Scanner Only Mode On

NCR Scanner Scale Mode

Scan the **NCR Scanner Scale Mode On** bar code to select the NCR scanner/scale message format. (For more information, refer to the NCR Scanner/Scale Programmer's Guide.) *Default = NCR Scanner Scale Mode Off.*



NCRSSM0.

* **NCR Scanner Scale Mode Off**



NCRSSM1.

NCR Scanner Scale Mode On

NCR Scanner Scale Acknowledgment

After the scanner receives a command, the host may require a scanner/scale acknowledgment from the scanner. When **NCR Scanner Scale ACK On** is selected, the scanner sends an NCR Scanner Scale acknowledgment in the form <prefix><0x3x><0x30><suffix><BCC>. Turn on the NCR Scanner Scale ACK answer by scanning the **NCR Scanner Scale ACK On** bar code below. To turn off the answer, scan **NCR Scanner Scale ACK Off**.

Default = NCR Scanner Scale ACK On.



NCRX300.

NCR Scanner Scale ACK Off



NCRX301.

***NCR Scanner Scale ACK On**

NCR Special Function Mode

Scan the **NCR Special Function Mode On** bar code to select the NCR special function message format. (For more information, refer to the NCR Scanner/Scale Programmer's Guide.) *Default = Off.*



NCRSFF0.

* **NCR Special Function Mode
Off**



NCRSFF1.

**NCR Special Function Mode
On**

Block Check Character

When this selection is set to **Transmit**, the NCR Block Check Character (BCC) is expected with incoming messages and transmitted with outgoing messages. *Default = Transmit.*



NCR Prefix

This selection allows you to program an NCR-specific prefix. Refer to the [ASCII Conversion Chart \(Code Page 1252\)](#) on page A-3 to find the hex equivalent for the characters you want for the NCR prefix (typically, 02 for STX). Scan the bar code below, then set the hex number (from 0-FF) by scanning digits from the [Programming Chart](#), then scanning **Save**.
Default = 0.



NCR Suffix

This selection allows you to program an NCR-specific suffix. Refer to the [ASCII Conversion Chart \(Code Page 1252\)](#) on page A-3 to find the hex equivalent for the characters you want for the NCR suffix (typically, 03 for ETX). Scan the bar code below, then set the hex number (from 0-FF) by scanning digits from the [Programming Chart](#), then scanning **Save**.
Default = 0.



NCR NOF (Not-on-File) Error

A scanner receives an NOF (Not on File) command from the POS whenever it cannot cross-reference the bar code to a price parameter. When set to **On**, the error tone sounds for an NOF, and disables the scanner while the cashier looks up the price manually. (The tone is set via [Beeper Pitch – Error](#), page 4-11 and number of beeps are set via [NCR NOF \(Not-on-File\) Number of Beeps](#), page 3-35). When set to **Off**, a good read beep sound is emitted for an NOF. *Default = Off.*





NCRRAZD.

* Off

NCR NOF (Not-on-File) Number of Beeps

When using [NCR NOF \(Not-on-File\) Error](#), set the number of beeps or error tones, from 1 to 7, the scanner emits when it receives an NOF from the POS system. *Default = 1.*



NCRNOB.

NCR Number of Beeps

Do Not Wait for NCR Weight

A get weight command waits until either a weight is ready or the command is canceled. If you do not want the scanner to wait for an answer, scan the **Do Not Wait** bar code. If you do want the scanner to wait, scan the **Wait** bar code. *Default = Wait.*



NCRDNWD.

* Wait



NCRDNW1.

Do Not Wait

NCR Weight Timeout

A get weight command waits until either a weight is ready or the command is canceled. If you wish to set a timeout for this wait time, scan the **NCR Weight Timeout On** bar code. You must then set the timeout using the [Timeout](#) bar code which follows. If you want to cancel the weight timeout, scan the **NCR Weight Timeout Off** bar code. *Default = NCR Weight Timeout Off.*



NCRSCLD.

* NCR Weight Timeout Off



NCRSCL1.

NCR Weight Timeout On

Timeout

When using [NCR Weight Timeout](#), you must program the length of the delay you want to wait for a weight from the scale. Set the length (in milliseconds) for a timeout by scanning the bar code below, then setting the timeout (from 1-65535 milliseconds) by scanning digits from the [Programming Chart](#), then scanning **Save**. If the scale takes longer than this setting to answer, the operation is terminated. *Default = 2000ms (2 seconds)*.



HSTCTO.

Timeout

Input/Output Settings

Power Up Settings

Wake Activation

When **Wake Activation Off** is selected, the Sound button can be used to wake the scanner. When **Wake Activation On** is selected, the scanner will wake when it senses activity, such as a cashier walking into the space where the scanner is located. *Default = Wake Activation On.*



Wake Activation Sensitivity

This allows you to set the sensitivity of the scanner when Wake Activation is being used. The sensor can be programmed to be more sensitive by selecting **Far Distance**, or less sensitive by selecting **Close Distance**. These indicate that moving near the scanner from a far distance would wake it, or only by moving close to it would it wake. *Default = Far Distance.*



Power Save Mode

Power Save Mode allows you to automatically set the conditions under which the scanner idles, sleeps, and wakes up. When **Off** is selected, no power saving is used and the scanner remains powered on until the Sound button is pressed (see [Sound Button](#) on page 4-5).

When **Sleep Mode** is selected, the scanner goes into sleep mode (all components are powered off) after the time interval set using [Power Save Mode Timeout](#) (page 4-2), during which there is no activity. This provides significant power savings over the **Off** setting.

When **Hibernate Mode** is selected, the scanner goes into idle mode (laser, motor, and micro are off) after the time interval set using [Power Save Mode Timeout](#) (page 4-2), during which there is no activity. After the same time interval has elapsed with no activity while the scanner is in idle mode, the scanner goes into sleep mode (all components are powered off). This provides additional power savings over the **Sleep Mode** setting, but the scanner takes longer to wake up.

Note: When the F1 button is pressed, the scanner always goes straight to sleep mode.

Default = Hibernate Mode.



Power Save Mode Timeout

Use this selection to set a timeout (in seconds) for the scanner when using Power Save Mode. When this time has elapsed with no activity, the scanner will enter the Power Save Mode selected. After scanning the **Power Save Mode Timeout** bar code, set the timeout duration (from 0-65535 seconds) by scanning digits on the [Programming Chart](#) inside the back cover, then scanning **Save**. *Default = 600 seconds.*



Laser Idle/Sleep State

These selections program the lasers to **Off**, **On**, or **Blinking** when the scanner is in idle or in sleep mode. *Default = Off.*

Note: When the motor is off, the lasers are automatically turned off for safety. See [Motor Idle/Sleep State](#) (page 4-3).





PWRLS12.
Idle - Lasers Blinking



PWRLS21.
* Sleep - Lasers Off



PWRLS22.
Sleep - Lasers Blinking

Motor Idle/Sleep State

These selections program the motor to **Off** or **On** when the scanner is in idle mode or in sleep mode. *Default = Off.*



PWRMS10.
Idle - Motor On



PWRMS11.
* Idle - Motor Off



PWRMS20.
Sleep - Motor On



PWRMS21.
* Sleep - Motor Off

Power Up Beeper

The scanner can be programmed to beep when it's powered up. Scan the **Off** bar code(s) if you don't want a power up beep. *Default = Power Up Beeper On.*

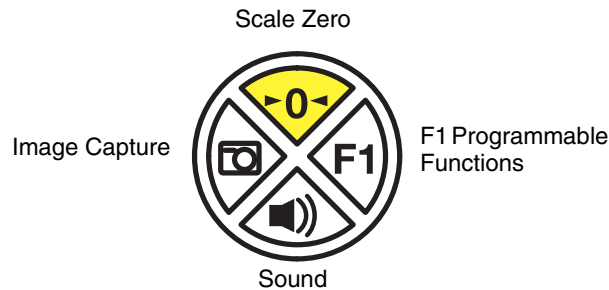


BEPPWR0.
Power Up Beeper Off



BEPPWR1.
* Power Up Beeper On

Button Controls



To program the buttons for additional functionality, see the descriptions that follow.

Button Click

To hear an audible click when any button is pressed, scan the **Button Click On** bar code below. Scan the **Button Click Off** code if you don't wish to hear the click. *Default = Button Click Off.*



BEPBTD0.
* Button Click Off



BEPBTD1.
Button Click On

F1 Programmable Button

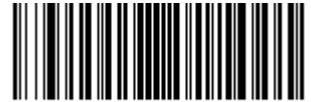
The F1 button can be programmed for several different functions. By default, press this button once quickly to repeat the last scan, or press and hold for 5 seconds to deactivate an EAS tag. Use the selections that follow to change these default settings.

Last Scan Repeat

When **Last Scan Repeat On** is set, the cashier can press the F1 button quickly to input a number of repeat scans. For example, if there are 6 identical cans, the cashier would scan the first can, then push the F1 button 5 times quickly to indicate 5 more repeats of that scan. When **Last Scan Repeat Off** is set, the F1 button cannot be used for repeat scans. *Default = Last Scan Repeat Off.*



BTNRPT0.
* Last Scan Repeat Off



BTNRPT1.
Last Scan Repeat On

EAS Function

When **EAS Function On** is set, the cashier can press and hold down the F1 button for 5 seconds to deactivate EAS tags. When **EAS Function Off** is set, the F1 button has no EAS capability. *Default = EAS Function Off.*



BTNEAS0.
* EAS Function Off



BTNEAS1.
EAS Function On

Sound Button

Volume Adjustment

When Volume Adjustment is set to **On**, pressing the Sound button once and releasing it scrolls through the volume settings for the scanner's beeper. When set to **Off**, the Sound button does not scroll through these settings. *Default = Volume Adjustment On.*



BTNVOL0.
Volume Adjustment Off



BTNVOL1.
*Volume Adjustment On

Sound Lock

When Sound Lock is set to **On**, a user cannot turn off the beeper using the Sound button. Pressing the Sound button only scrolls through the volume settings for the scanner's beeper, but will not allow the sound to be turned off. When Sound Lock is set to **Off**, the Sound button can be used to turn off the beeper. *Default = Sound Lock Off.*



BTNNVL1.

Sound Lock On

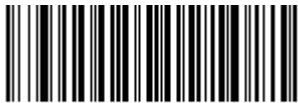


BTNNVLO.

*Sound Lock Off

Frequency Adjustment

When Frequency Adjustment is set to **On**, holding the Sound button down for up to 3 seconds scrolls through the frequency (tone) settings for the scanner's beeper. When set to **Off**, the Sound button does not scroll through these settings. *Default = Frequency Adjustment On.*



BTNTOND.

Frequency Adjustment Off



BTNTON1.

*Frequency Adjustment On

Sleep Mode

When **Sleep Mode On** is set, the cashier can press and hold down the Sound button for 5 seconds to put the scanner to sleep. Pressing the Sound button wakes the scanner. When **Sleep Mode Off** is set, the Sound button does not control the scanner's sleep mode. *Default = Sleep Mode On.*



BTNSLWD.

Sleep Mode Off



BTNSLW1.

*Sleep Mode On

Error Condition

When **Error Condition On** is set, the cashier can push the Sound button to clear errors (visuals, beeps, and notifications). When **Error Condition Off** is set, visible and audible error conditions remain. *Default = Error Condition On.*



BTNEOF0.
Error Condition Off

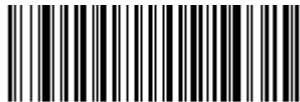


BTNEOF1.
* Error Condition On

Image Capture Button

Customer Imager Control

When **Customer Imager Control** is set to **On**, the cashier can push the Image Capture button once to scan a bar code using a customer-facing scanner (if installed). When **Customer Imager Control** is set to **Off**, the Image Capture button cannot be used for a customer-facing scanner. *Default = Customer Imager Control On.*



BTNCEND.
Customer Imager Control
Off



BTNCEN1.
* Customer Imager Control
On

Cashier Imager

When **Cashier Imager On** is set, the cashier can use the Image Capture button to take a picture of an item on the scanner. To take an image, first plug a FAT32 formatted flash drive into any USB port on the scanner. Then press the Image Capture button for 2 to 3 seconds. The image of the item on the scanner is saved to the flash drive in bitmap format.

When **Cashier Imager Off** is set, the Image Capture button cannot be used to take a picture with the scanner. *Default = Cashier Imager On.*



BTNSNIO.
Cashier Imager Off



BTNSNI1.
* Cashier Imager On

JPEG Image Quality

This selection sets the desired JPEG image quality for captured images. Higher numbers result in higher quality, but larger files. Smaller numbers result in greater amounts of lossy compression, faster transmission times, lower quality, but smaller files. After scanning the **JPEG Image Quality** bar code, set the quality (from 0-100) by scanning digits on

the [Programming Chart](#) inside the back cover, then scanning **Save**. *Default = 50.*



Beep on BEL Character

You may wish to force the scanner to beep upon a command sent from the host. If you scan the **Beep on BEL On** bar code below, the scanner will beep every time a BEL character is received from the host. *Default = Beep on BEL Off.*



Good Read Indicators

Beeper – Good Read

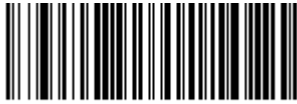
The beeper may be programmed **On** or **Off** in response to a good read. Turning this option off, only turns off the beeper response to a good read indication. All error and menu beeps are still audible. *Default = Beeper - Good Read On.*

Note: Also see [Good Read Beep - Aux Scanner](#) (page 5-2) to set which device emits the good read beep.



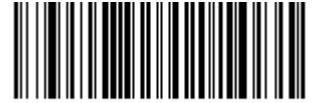
Beeper - Transmit Order

The beeper transmit order determines when the good read beep occurs. The scanner can be set to emit the good read beep either before or after data transmission. *Default = Before Transmission.*



BEPWHN1.

* Before Transmission



BEPWHN2.

After Transmission

Beeper Volume – Good Read

The beeper volume codes modify the volume of the beep the scanner emits on a good read. *Default = High.*



BEPLVL1.

Low



BEPLVL2.

Medium



BEPLVL3.

* High



BEPLVL0.

Off

Beeper Pitch – Good Read

The beeper pitch codes modify the pitch, or tone of the beep the scanner emits on a good read. *Default = Tone 1.*



BEPCUR1.

* Tone 1



Beeper Duration – Good Read

The beeper duration codes modify the length of the beep the scanner emits on a good read. *Default = Normal.*



Number of Beeps – Good Read

The number of beeps of a good read can be programmed from 1 - 9. The same number of beeps will be applied to the beeper and LED in response to a good read. For example, if you program this option to have five beeps, there will be five beeps and five LED flashes in response to a good read. The beeps and LED flashes are in sync with one another. To change the number of beeps, scan the bar code below and then scan a digit (1-9) bar code and the **Save** bar code on the

[Programming Chart](#) inside the back cover of this manual. *Default = 1.*



BEPRPT.

Number of Good Read Beeps/LED Flashes

Beep on EAS Deactivation

After a good read, the beeper will beep quickly (chirp) upon EAS deactivation when **Beep on EAS Deactivation** is set to **On**. If you do not want a chirp on EAS deactivation, scan **Beep on EAS Deactivation Off**. *Default = Off.*



EASBIP0.

* Beep on EAS Deactivation
Off



EASBIP1.

Beep on EAS Deactivation On

Error Indicators

Beeper Pitch – Error

The beeper pitch codes modify the pitch (frequency) of the sound the scanner emits when there is a bad read or error.

Default = Razz.



BEPFQ2100.

* Razz



BEPFQ2175.

Medium Razz



BEPFQ2250.

High Razz

Number of Beeps/LED Flashes – Error

The number of beeps and LED flashes emitted by the scanner for a bad read or error can be programmed from 1 - 9. For example, if you program this option to have five error beeps, there will be five error beeps and five LED flashes in response to an error. To change the number of error beeps, scan the bar code below and then scan a digit (1-9) bar code and the

Save bar code on the [Programming Chart](#) inside the back cover of this manual. *Default = 1.*



BEPERR.

Number of Error Beeps/LED Flashes

LED Settings

Disabled Scanner LED Flash

When the scanner is disabled by the POS system, the LEDs can be set to flash by scanning **LED Flash On**. If you do not want the LEDs to flash, scan **LED Flash Off**. *Default = LED Flash On.*



232CTF0.

LED Flash Off



232CTF1.

* LED Flash On

Bar Code Scanning Delays

Reread Delay

This sets the time period before the Stratos bioptic scanner can read the *same* bar code a second time. Setting a reread delay protects against accidental rereads of the same bar code. Longer delays are effective in minimizing accidental rereads. Use shorter delays in applications where repetitive bar code scanning is required. These settings apply to both 1D and 2D bar codes unless the [2D Reread Delay](#) (page 4-13) is set. *Default = Short.*



DLYRRD400.

Very Short (400 ms)



DLYRRD500.

* Short (500 ms)



DLYRRD750.

Medium (750 ms)



User-Specified Reread Delay

If you want to set your own length for the reread delay, scan the bar code below, then set the delay (from 0-30,000 milliseconds) by scanning digits from the inside back cover, then scanning **Save**.



2D Reread Delay

Sometimes 2D bar codes can take longer to read than other bar codes. If you wish to set a separate Reread Delay for 2D bar codes, scan one of the programming codes that follows. **2D Reread Delay Off** indicates that the time set for [Reread Delay](#) is used for both 1D and 2D bar codes. *Default = 2D Reread Delay Off.*





DLY2RR3000.

Long (3000ms)



DLY2RR4000.

Extra Long (4000ms)

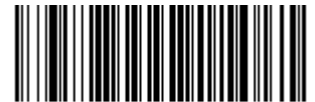
Same Symbol Test

When **Same Symbol Test On** is scanned, the current bar code must be 1 character different from the previous bar code in order to be read. When **Same Symbol Test Off** is scanned, the bar codes must be 25% different to be read. *Default = Same Symbol Test Off.*



DLYSSP0.

* Same Symbol Test Off



DLYSSP1.

Same Symbol Test On

Bar Code Absence Detection

Use this selection to set a timeout (in milliseconds) before the scanner can read a bar code after any other code is read. The timer starts after the first bar code has left the field of view. Scan **Bar Code Absence Detection**, set the timeout duration (from 0-300,000 milliseconds) by scanning digits on the [Programming Chart](#) inside the back cover of this manual, then scanning **Save**. *Default = 0 (No Delay).*



DLYDEC.

Bar Code Absence Detection

Character Activation Mode

You may use a character sent from the host to trigger the scanner to begin scanning. When the activation character is received, the scanner continues scanning until either the [Character Activation Laser Timeout](#) (page 4-16), the deactivation character is received (see [Deactivation Character](#) on page 4-16), or a bar code is transmitted. Scan the following **On** bar code to use character activation, then use Activation Character (following) to select the character you will send from the host to start scanning. *Default = Off.*



HSTCEND.
* Off



HSTCEN1.
On

Activation Character

This sets the character used to trigger scanning when using Character Activation Mode. On the [ASCII Conversion Chart \(Code Page 1252\)](#), page A-3, find the hex value that represents the character you want to use to trigger scanning. Scan the following bar code, then use the [Programming Chart](#) to read the alphanumeric combination that represents that ASCII character. Scan **Save** to finish.



HSTACH.
Activation Character

End Character Activation After Good Read

After a bar code is successfully detected and read from the scanner, the laser can be programmed either to remain on and scanning, or to turn off. When **End Character Activation After Good Read** is enabled, the laser turns off and stops scanning after a good read. If you scan **Do Not End Character Activation After Good Read**, the laser remains on after a good read. *Default = End Character Activation After Good Read.*



HSTCGD0.
Do Not End Character Activation
After Good Read



HSTCGD1.
* End Character Activation After
Good Read

Character Activation Laser Timeout

You can set a timeout for the length of time the laser remains on and attempting to decode bar codes when using Character Activation Mode. Set the length (in milliseconds) for a timeout by scanning the following bar code, then setting the timeout (from 1-65535 milliseconds) by scanning digits from the [Programming Chart](#) inside the back cover of this manual, then scanning **Save**. *Default = 5000 ms.*



HSTCDT.
Character Activation Laser
Timeout

Character Deactivation Mode

If you have sent a character from the host to trigger the scanner to begin scanning, you can also send a deactivation character to stop scanning. Scan the following **On** bar code to use character deactivation, then use Deactivation Character (following) to select the character you will send from the host to terminate scanning. *Default = Off.*



HSTDEND.
* Off



HSTDEN1.
On

Deactivation Character

This sets the character used to terminate scanning when using Character Deactivation Mode. On the [ASCII Conversion Chart \(Code Page 1252\)](#), page A-3, find the hex value that represents the character you want to use to terminate scanning. Scan the following bar code, then use the [Programming Chart](#) inside the back cover of this manual to read the alphanumeric combination that represents that ASCII character. Scan **Save** to finish.



HSTDCH.
Deactivation Character

Output Sequence Overview

Require Output Sequence

When turned off, the bar code data will be output to the host as the scanner decodes it. When turned on, all output data must conform to an edited sequence or the scanner will not transmit the output data to the host device.

Output Sequence Editor

This programming selection allows you to program the scanner to output data (when scanning more than one symbol) in whatever order your application requires, regardless of the order in which the bar codes are scanned. Reading the **Default Sequence** symbol programs the scanner to the Universal values, shown below. These are the defaults. Be **certain** you want to delete or clear all formats before you read the **Default Sequence** symbol.

Note: To make Output Sequence Editor selections, you'll need to know the code I.D., code length, and character match(es) your application requires. Use the Alphanumeric symbols (inside back cover) to read these options. You must hold the trigger while reading each bar code in the sequence.

To Add an Output Sequence

1. Scan the **Enter Sequence** symbol (see [Require Output Sequence](#), page 4-19).
2. **Code I.D.**
On the [Symbology Charts](#) on page A-1, find the symbology to which you want to apply the output sequence format. Locate the Hex value for that symbology and scan the 2 digit hex value from the Programming Chart (inside back cover).
3. **Length**
Specify what length (up to 9999 characters) of data output will be acceptable for this symbology. Scan the four digit data length from the Programming Chart. (Note: 50 characters is entered as 0050. 9999 is a universal number, indicating all lengths.) When calculating the length, you must count any programmed prefixes, suffixes, or formatted characters as part of the length (unless using 9999).
4. **Character Match Sequences**
On the [ASCII Conversion Chart \(Code Page 1252\)](#), page A-3, find the Hex value that represents the character(s) you want to match. Use the Programming Chart to read the alphanumeric combination that represents the ASCII characters. (99 is the Universal number, indicating all characters.)
5. **End Output Sequence Editor**
Scan **FF** to enter an Output Sequence for an additional symbology, or **Save** to save your entries.

Other Programming Selections

- **Discard**
This exits without saving any Output Sequence changes.

Output Sequence Example

In this example, you are scanning Code 93, Code 128, and Code 39 bar codes, but you want the scanner to output Code 39 1st, Code 128 2nd, and Code 93 3rd, as shown below.

Note: Code 93 must be enabled to use this example.



A - Code 39



B - Code 128



C - Code 93

You would set up the sequence editor with the following command line:

```
SEQBLK62999941FF6A999942FF69999943FF
```

The breakdown of the command line is shown below:

```
SEQBLKsequence editor start command
```

```
62      code identifier for Code 39
```

```
9999    code length that must match for Code 39, 9999 = all lengths
```

- 41 start character match for Code 39, 41h = "A"
- FF termination string for first code
- 6A code identifier for **Code 128**
- 9999 code length that must match for Code 128, 9999 = all lengths
- 42 start character match for Code 128, 42h = "B"
- FF termination string for second code
- 69 code identifier for **Code 93**
- 9999 code length that must match for Code 93, 9999 = all lengths
- 43 start character match for Code 93, 43h = "C"
- FF termination string for third code

To program the previous example using specific lengths, you would have to count any programmed prefixes, suffixes, or formatted characters as part of the length. If you use the example on [page 4-17](#), but assume a <CR> suffix and specific code lengths, you would use the following command line:

SEQBLK62001241FF6A001342FF69001243FF

The breakdown of the command line is shown below:

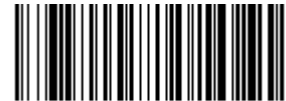
SEQBLKsequence editor start command

- 62 code identifier for **Code 39**
- 0012 A - Code 39 sample length (11) plus CR suffix (1) = 12
- 41 start character match for Code 39, 41h = "A"
- FF termination string for first code
- 6A code identifier for **Code 128**
- 0013 B - Code 128 sample length (12) plus CR suffix (1) = 13
- 42 start character match for Code 128, 42h = "B"
- FF termination string for second code
- 69 code identifier for **Code 93**
- 0012 C - Code 93 sample length (11) plus CR suffix (1) = 12
- 43 start character match for Code 93, 43h = "C"
- FF termination string for third code

Output Sequence Editor



SEQBLK.
Enter Sequence



SEQDFT.
Default Sequence

Sequence Timeout

You may wish to set the maximum time between bar code scans in an output sequence. If that maximum time is not met, the output sequence operation is terminated. Set the length (in milliseconds) for a timeout by scanning the following bar code, then setting the timeout (from 1-65535 milliseconds) by scanning digits from the [Programming Chart](#) inside the back

cover of this manual, then scanning **Save**. *Default = 5000 msec.*



SEQDLY.
Sequence Timeout

Sequence Match Beeper

By default, the scanner beeps when a sequence match is found. If you want the scanner to remain silent, scan the following **Sequence Match Beeper Off** bar code. *Default = Sequence Match Beeper On.*



SEQBEP0.
Sequence Match Beeper Off



SEQBEP1.
*** Sequence Match Beeper On**

Partial Sequence

If an output sequence operation is terminated before all your output sequence criteria are met, the bar code data acquired to that point is a “partial sequence.”

Scan **Discard Partial Sequence** to discard partial sequences when the output sequence operation is terminated before completion. Scan **Transmit Partial Sequence** to transmit partial sequences. (Any fields in the sequence where no data match occurred will be skipped in the output.) If you have programmed a **Sequence Timeout** (page 4-18) and the timeout is reached, the partial sequence is transmitted. *Default = Discard Partial Sequence.*



SEQTTS1.
Transmit Partial Sequence



SEQTTS0.
*** Discard Partial Sequence**

Require Output Sequence

When an output sequence is **Required**, all output data must conform to an edited sequence or the scanner will not transmit the output data to the host device. When it's **On/Not Required**, the scanner will attempt to get the output data to conform to an edited sequence but, if it cannot, the scanner transmits all output data to the host device as is.

When the output sequence is **Off**, the bar code data is output to the host as the scanner decodes it. *Default = Off.*



No Read

With No Read turned **On**, the scanner notifies you if a code cannot be read. If using an EZConfig-Scanning Tool Scan Data Window (see page 12-2), an “NR” appears when a code cannot be read. If No Read is turned **Off**, the “NR” will not appear. *Default = Off.*



If you want a different notation than “NR,” for example, “Error,” or “Bad Code,” you can edit the output message (see [Data Formatting](#) beginning on page 8-1). The hex code for the No Read symbol is 9C.

Programming an Auxiliary Scanner

Introduction

This chapter describes how to program auxiliary scanners that will be connected to the Stratos bioptic.

Scanner to Bioptic Communication

The following settings are used to set up communication between Honeywell scanners and bioptic scanners.

Note: The scanner's baud rate must be set to 38400 and the RS232 Timeout must be set to 3000 in order to communicate with a bioptic scanner. See "RS232 Baud Rate" on page 3-24, and [RS232 Timeout](#) on page 3-29 for further information.

Scanner-Bioptic Packet Mode

Packet Mode On must be scanned to set the scanner's format so it is compatible with a bioptic scanner. *Default = Packet Mode Off.*



232PKT0.
* Packet Mode Off



232PKT2.
Packet Mode On

ACK/NAK

After transmitting data, the scanner waits for an ACK character (hex 06) or a NAK character (hex 15) response from the host. If ACK is received, the communications cycle is completed and the scanner looks for more bar codes. If NAK is received, the last set of bar code data is retransmitted and the scanner waits for ACK/NAK again. Turn on the ACK/NAK protocol by scanning the **ACK/NAK On** bar code below. To turn off the protocol, scan **ACK/NAK Off**. *Default = ACK/NAK Off.*



232ACK1.
ACK/NAK On



232ACK0.
* ACK/NAK Off

Communication Timeout

This allows you to set the length (in milliseconds) for a timeout for the host ACK/NAK response. Scan the bar code below, then set the timeout (from 1-65535 milliseconds) by scanning digits from the [Programming Chart](#), then scanning **Save**. *Default = 2000 ms.*



232DLK.
Communication Timeout

Aux Port Configuration Codes

Honeywell Scanner Aux Port Configuration

Scan the following bar code to configure the Stratos bioptic aux port to use a Honeywell auxiliary scanner.



AUXDFT.

Honeywell Aux Scanner

Note: See [Auxiliary Honeywell Scanner Configuration Codes](#) beginning on page B-1 for common Honeywell hand-held scanner configuration codes.

Datalogic™ Magellan® Aux Port Configuration

Scan the following bar code to configure the Stratos bioptic aux port to use an auxiliary scanner that has been used as an input to a Datalogic Magellan scanner.



AUXMAG.

Datalogic Magellan Aux Scanner

NCR Bioptic Aux Port Configuration

Scan the following bar code to configure the Stratos bioptic aux port to use an auxiliary scanner that has been used as an input to an NCR scanner.



AUXNCR.

NCR Aux Scanner

Wincor Nixdorf Beetle Aux Port Configuration

Scan the following bar code to configure the Stratos bioptic aux port to use an auxiliary scanner that has been used as an input to a Beetle terminal.



AUXBTL.

Wincor Nixdorf Beetle Aux Scanner

Good Read Beep - Aux Scanner

When reading a bar code with an auxiliary scanner, by default you will hear the good read beep from both the bioptic and the auxiliary scanner. You may wish to suppress the good read beep from the Stratos bioptic when a bar code is read with the auxiliary scanner. Scan **Good Read Beep - Aux Scanner** to sound the good read beep from only the auxiliary scanner when the

bar code is read with the aux scanner. Scan **Good Read Beep - Bioptic and Aux Scanner** to sound the good read beep from both the Stratos bioptic and the auxiliary scanner when the bar code is read with the aux scanner. *Default = Good Read Beep - Bioptic and Aux Scanner.*

Note: Also see [Good Read Indicators](#) (page 4-8).



AUXBEP1.

* **Good Read Beep - Bioptic and
Aux Scanner**



AUXBEP0.

Good Read Beep - Aux Scanner

Aux Scanner D/E Commands

Scan the **Use D/E Commands** bar code to allow the Stratos bioptic to control the auxiliary scanner with the use of disable/enable (D/E) single character commands. Scan the **Do Not Use D/E Commands** bar code if you do not want to use this feature. *Default = Do Not Use D/E Commands.*



AUXDEC1.

Use D/E Commands



AUXDEC0.

* **Do Not Use D/E Commands**

Reread Delay Override



AUXDSS1.

* **Reread Delay from Aux
Scanner**



AUXDSS0.

Reread Delay from Bioptic



Programming the Scale Interface

RS232

OPOS - Single Cable

Scan the following programming codes to set up the scanner/scale using the OPOS drivers when connected via a single RS232 cable.

Baud Rate/Parity sets the baud rate to 9600 bps and the data format to 8 data bits, no parity, 1 stop bit.

Single Cable configures the Stratos bioptic for a scale interface.

External Scale Display configures the Stratos bioptic for an external display. If you do not have an external display, you do not need to scan the **External Scale Display** code.



SCLSG1.
Single Cable



232BAD5;232WRD2.
Baud Rate/Parity



SCLDSP1.
External Scale Display

NCR Protocol - Single Cable

Scan one of the following bar codes to set up the scanner/scale for an NCR Communication Protocol (Retailx Storeline and LOC SMS POS application software) when connected via a single RS232 cable. This also sets the baud rate to 9600 bps and the data format to 8 data bits, no parity, 1 stop bit. Select the appropriate code for either kilograms or pounds.



PAP956.
NCR Protocol English (lbs)
Single Cable



PAP955.
NCR Protocol Metric (kg)
Single Cable

POS Beep on Send Weight

Note: This selection should only be used for POS "weight-on-demand" applications. Do not use when the POS continually asks for the weight or incessant beeping will be heard.

Scan the **Beep on Send Weight** code below if you want to hear a beep every time the scanner transmits a stable weight. *Default = Don't Beep on Send Weight.*



NCRBWS0.

* Don't Beep on Send Weight



NCRBWS1.

Beep on Send Weight

RS485

IBM 3rd Generation 46xx - Single Cable

Scan one of the following bar codes to set up the scanner/scale for an IBM 46xx when connected via a single RS485 cable. Select the appropriate code for either kilograms or pounds.



P AP960.

IBM 3rd Generation 46xx,
English (lbs)
Single Cable



P AP959.

IBM 3rd Generation 46xx,
Metric (kg)
Single Cable

USB

IBM OEM USB - Single Cable

The following bar codes program the Stratos bioptic to operate as an IBM OEM USB tabletop scanner/scale when connected via a full speed USB cable. Select the appropriate code for either kilograms or pounds.



P AP962.

IBM OEM USB English (lbs)
Single Cable



PAPER61.
IBM OEM USB Metric (kg)
Single Cable

Scale Status Bytes

Scan one of the following bar codes to set how many scale status bytes to send to the host from the scanner. These selections apply to RS485 and IBM OEM protocols. *Default = 3 Bytes.*



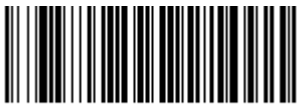
SCNSN22.
2 Bytes



SCNSN23.
* 3 Bytes

Scale Type

Scan the appropriate bar code for the type of scale that's attached. *Default = No Scale.*



SCLTYP0.
* None



SCLTYP1.
Mettler Ariva



SCLTYP3.
Bizerba



SCLTYP4.
Filizola



SCLTYP5.
Herbert



SCLTYP6.
Dibal



SCLTYP7.
Digi Teraoka



SCLTYP8.
Avery FX100

Scale Calibration

The scale must be calibrated if:

- It is a first time installation
- The scale cannot be re-zeroed
- The calibration verification tests indicate errors
- There is a change in the units of measure (i.e., from pounds to kilograms)
- The scale load cell has been replaced
- The calibration seal is missing or torn

Tools Required

- Field standard 30 lb. or 15 kg weight set
- Single line or other pole display with cable (for dual cable and pole display-based installation)
- #1 Phillips head driver to remove plastic wire seal retainer cover
- Diagonal wire cutters to remove any existing wire seals
- 7mm or 9/32 hex head driver to remove metal access plate
- Thin rod (e.g., small screwdriver, hex key or paper clip) for activating the protected calibration switch
- Wire or paper seal (the type of seal depends on the guidelines specified by the local Weights and Measures authorities)

Priming the Scale for Calibration

Calibrate the scale after the unit is installed in the checkout countertop. It is important to use the correct certified (pounds or kilograms) field weight set when calibrating the scale.

1. Make sure that the unit is properly installed at the correct height and properly leveled before calibrating.
2. Ensure that the unit is solidly supported on all four corners without any rocking motion when pressing opposite corners of the scale.
3. Check the platter to ensure that nothing is interfering with its freedom to move. Assure that no debris is present from daily use of the scanner/scale if it has been in service. Make sure the platter seats normally on the scale arms.
4. Apply power to the scanner/scale.

5. Wait 5 minutes up to 30 minutes after power up before proceeding. If the unit has been subjected to cold, it may take longer to get to room temperature.
6. Place the 30.0 lb. weights or the 15 kg weights on the center of the scale platter. Allow the weight to settle.
7. Remove the weight.
8. Repeat three times to prime the scale before calibration.

Scale Calibration

The following methods may be used to calibrate the scale:

[Scale Calibration with Remote Display](#) (see page 6-5) uses the scale display to sequence through the calibration steps and store critical calibration points.

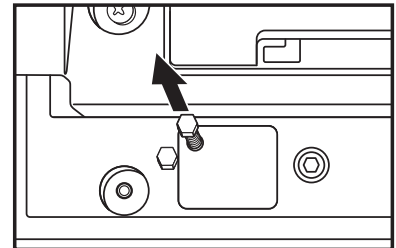
[Scale Calibration without Remote Display](#) (see page 6-7) uses the Stratos bioptic only and assumes there is no remote scale display. A bar code is used to initiate the calibration sequence and the speaker volume switch is used to store critical range values.

[Scale Calibration with Push Buttons](#) (see page 6-9) can be used with or without a remote scale display. The push buttons on the Stratos bioptic along with prompts from the LCD display are used to calibrate the scale.

Putting the Scale into Service Mode

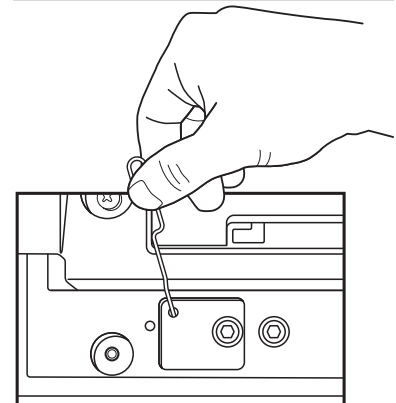
Certain scale adjustments require putting the scale into service mode. Use the following steps to put the scale into service mode.

- Step 1.** Remove the platter and set aside.
- Step 2.** If this is a currently installed scanner/scale, there will be either an adhesive label seal or wire sealed cover over the scale calibration button. Newly installed units may only have a factory-applied adhesive seal covering the scale calibration button. Remove the seal.
 - To remove the adhesive label seal, peel off the label and discard.
 - To remove the wire seal, cut the wire and discard.
- Step 3.** Remove the hex bolt and security plate to the right of the bubble level.



- Step 4.** Use a thin rod or straightened paper clip to push down through the exposed pinhole and depress the calibration switch. **Cal** then **Conf** appears on the remote display and a scale beep sounds. The scale is now in service mode.

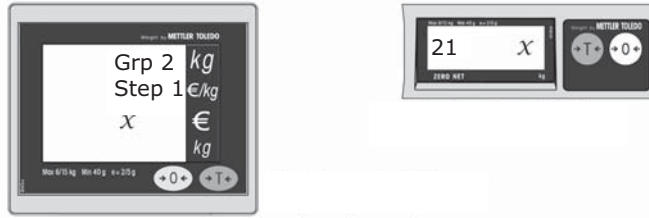
- Step 5.** Reinstall the platter.



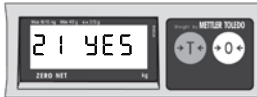
Scale Calibration with Remote Display

Once the scale is in Service Mode, you can calibrate it using the remote display.

Step 1. Press the Zero key on the remote display several times until **Grp 2 Step1** is displayed.



Step 2. Either display will initially display **x = NO**. Press the Tare **+T+** key to change this to **YES**:



Step 3. Press the Zero **+0+** key to select **YES**.

Step 4. Press the Tare **+T+** key until **bLd 2** displays:



Step 5. This is the weight range selection against which the load cell is measured. Using the table below, press the Tare **+T+** key to rotate around the **bLd 2** selections. Press the Zero **+0+** key to select the bld range desired.

| Group 2 Step 1 bld | Weight Unit Ranges |
|--------------------|---------------------|
| Bld 0 | 15 kg Single Range |
| Bld 1 | 15 Kg Dual Range* |
| Bld 2 | 30 lb Single Range* |
| Bld 3 | 30 lb Dual Range |

* Common Ranges used as default for most country settings

Step 6. Press the Zero **+0+** key to display the **Cal** prompt.

Step 7. Press the Tare **+T+** key to select **YES**:




Step 8. Press the Zero **+0+** key to start the scale calibration.

Step 9. The display shows **-----**:




This indicates that the scale is ready to take a zero reading. Check the platter to ensure that it is seated properly and nothing is touching or interfering with its freedom to move.

Step 10. After 3 to 5 seconds of inactivity, press the Zero  key to accept and begin taking the zero capacity calibration reading. If the scale is unable to capture a stable reading it will not store any value and will advance to the next step. If this happens, verify that nothing is touching or interfering with the scale and/or platter.

Step 11. Once the zero calibration reading has been successful, the display shows **FULCAP** (Full Capacity):



Place the full capacity weight, either 15kg or 30lb (whichever matches the previously selected Weight Unit Range), on the center of the scale platter. Wait at least 3 seconds for the scale to stabilize.

Step 12. Press the Zero  key to accept and begin taking the full capacity calibration reading. If the scale is unable to capture a stable reading it will not store any value and will advance to the next step. If this happens, verify nothing is touching or interfering with the scale and/or platter.

Step 13. Once the full capacity calibration reading has been successfully taken, the display shows **UNLOAD** (zero capacity):



Remove all weight from the platter. Wait at least 3 seconds for the scale to stabilize.

Step 14. Press the Zero  key to accept and begin taking the return zero capacity calibration reading.


Step 15. The display begins the initialization sequence and returns to the normal weighing mode in the calibrated weight units.



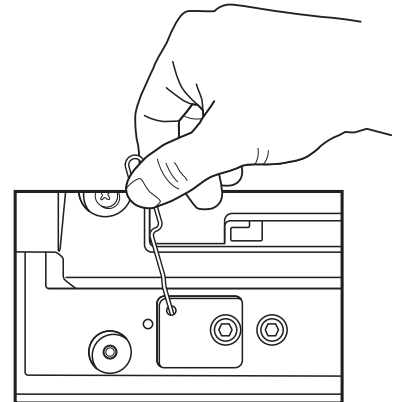
Once you have completed the scale calibration, the scale must be verified by the appropriate country or state Weights and Measures inspector. For details, contact your local government's Weights and Measures department.

Scale Calibration without Remote Display

Once the scale is in Service Mode, the following calibration procedure can be used with or without a remote scale display.

The Sound button  is used to advance through each stage of calibration. The LED display shows which calibration stage is active.

- Step 1.** Use a thin rod or straightened paper clip to push down through the exposed pinhole and depress the calibration switch. A scale beep sounds. The scale is now in service mode.



- Step 2.** Use the vertical window to scan a bar code below to calibrate the scale. The scanner beeps once as the scale enters calibration mode and the calibration utility starts. *Default = Calibrate Metric (kg), Single Range.*



SCACAL2.

**Calibrate English (lbs)
Single Range**



SCACAL0.

*** Calibrate Metric (kg)
Single Range**



SCACAL3.

**Calibrate English (lbs)
Dual Range**



SCACAL1.

**Calibrate Metric (kg)
Dual Range**

Note: If a razz tone sounds, an error has occurred. The diagnostic LCD displays the reason for the calibration mode error.

- Step 3.** Make sure there is no load on the scale platter. The green LED blinks to indicate each step in the calibration process.
- Step 4.** Calibrate a zero load. The green LED blinks once periodically. Wait 8 to 10 seconds for scale stability, then press the Sound button once. There is a short delay followed by one short beep that indicates the zero load value has been stored.
- Step 5.** Place a full capacity weight on the center of the scale platter. The green LED blinks 3 times. Wait at least 3 seconds for scale stability, then press the Sound button once. There is a short delay followed by 3 short beeps that indicates that the full load value has been stored.

Step 6. Remove the full capacity weight from the scale platter. The green LED blinks 5 times. Wait at least 3 seconds for scale stability, then press the Sound button once. There is a short delay followed by 5 short beeps that indicates that the return zero load value has been stored.

Step 7. The calibration process is complete. The scanner automatically restarts, then beeps once after 12 seconds.

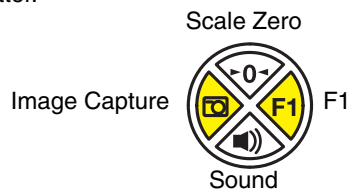
Step 8. Verify the calibration was successful with the calibrated weights. If the scale display does not show the calibrated load weight correctly, repeat this procedure.

If you have any issues with the calibration, check that the unit has been properly installed and verify that there is no rocking motion when pressing on opposite corners of the scale. If you feel any movement, correct by adjusting the leveling screws that support the scale on the check-stand. When they are correct, lock these down snugly.

Once you have completed the scale calibration, the scale must be verified by the appropriate country or state Weights and Measures inspector. For details, contact your local government's Weights and Measures department.

Scale Calibration with Push Buttons

This method of calibration uses the push buttons on the scanner and the LCD display located in the horizontal window of the scanner scale, visible through the platter.



Step 1. Press and hold the **Image Capture** and **F1** buttons simultaneously for 5 seconds, then release them together. You will see **[MENU]** appear for a second or two on the LCD display, then **SOFTWARE UPDATE**. (Do not hold the buttons too long, or you might get a button stuck error.)



Step 2. With **SOFTWARE UPDATE** showing on the LCD display, press the **Sound** button repeatedly until you see **CALIBRATE SCALE** on the LCD display.



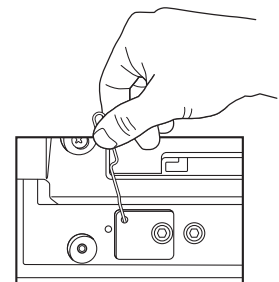
Step 3. Press the **F1** button. The LCD display shows **CALIBRATE SCALE – SINGLE RANGE KGS**.



Step 4. Press the **Sound** button repeatedly until the LCD display reads **CALIBRATE SCALE – SINGLE RANGE LBS**.



Step 5. **STOP** at this point. Raise the platter and remove the 7mm hex nut and scale service plate to expose the scale service switch pinhole. Use a thin rod or straightened paper clip to push down through the exposed pinhole and depress the calibration switch until a scale beep sounds. The scale is now in service mode. Replace the platter before continuing.



Step 6. Press the **F1** button to activate your selection. The LCD display shows **SCALE CALIBRATE – WAIT SCALE RSP** for a few seconds, then it changes to **Step 1 – Platter Empty, VOL BTN = Advance**. The top LED bar on the scanner flashes once every few seconds.



Step 7. Make sure platter is on correctly and is empty, then press the **Sound** button.



Step 8. The LCD display leads you through the next step of placing a full weight of 30 lbs. on the scale. The LEDs flash 3 times. Press the **Sound** button once the scale weight settles on full weight.



Step 9. Remove all the weight once the full capacity is stored. The LED's flash 5 times. Remove the weight, let the scale settle at zero lbs., then press the **Sound** button again to accept 0 lbs.



Step 10. The units stores the final weight, and beeps multiple times. The calibration process is complete, and the scale restarts. Begin [Calibration Verification](#), below.

If you have any issues with the calibration, check that the unit has been properly installed and verify that there is no rocking motion when pressing on opposite corners of the scale. If you feel any movement, correct by adjusting the leveling screws that support the scale on the check-stand. When they are correct, lock these down snugly and repeat all the calibration steps.

Once you have completed the scale calibration, the scale must be verified by the appropriate country or state Weights and Measures inspector. For details, contact your local government's Weights and Measures department.

Calibration Verification

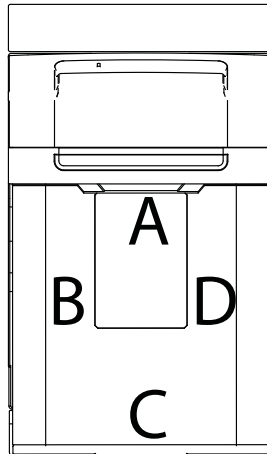
The following tests verify the scale's calibration. The following tests are based on a 2-digit accuracy setting for pounds and a 3-digit accuracy setting for kilograms.

Increasing Load Test

1. Make sure there is no load on the scale platter and verify that the remote display reads:
0.00 lbs
or
0.000 kg
2. Place a 5 lb. or a 2.5kg weight on the center of the scale platter and verify the display reads:
5.00 lbs
or
2.5 kg
3. Place an additional 5 lb. or an additional 2.5kg weight on the center of the scale platter and verify the remote display reads between:
9.99 and 10.01 lbs
or
4.995 and 5.005kg
4. Place an additional 10 lb. or 5kg weight on the center of the scale platter and verify the remote display reads between:
19.99 and 20.01 lbs
or
9.995 and 10.005kg
5. Place an additional 10 lb. or 5kg weight on the center of the scale platter and verify the remote display reads between:
29.99 and 30.01 lbs
or
14.995 and 15.005kg

-
- Remove all the weight from the scale platter and verify the display reads:
0.00 lbs
or
0.00kg

Shift Test



Shift Test Zones

- Ensure there is no load on the scale platter and verify the remote display reads:
0.00 lbs
or
0.00kg
- Place a 15 lb. or 7.5kg weight on the scale platter in the center of Shift Test Zone A (see diagram) and verify the remote display reads between:
14.99 and 15.01 lbs
or
7.495 and 7.505kg
- Remove the 15 lb. or 7.5kg weight and verify the display reads:
0.00 lbs
or
0.00kg
- Repeat steps 2 and 3 for each of the remaining Shift Test Zones (B, C, and D).
- When all weight has been removed, verify that the remote display reads:
0.00 lbs
or
0.00kg

Decreasing Load Test

- Ensure there is no load on the scale platter and verify the remote display reads:
0.00 lbs
or
0.00kg
- Place a 30 lb. or 15kg load on the center of the scale platter. Verify the remote display reads between:
29.99 and 30.01 lbs
or
14.995 and 15.005kg
- Remove 10 lbs. or 7.5kg from the platter and center the remaining weight. Verify the remote display reads between:
19.99 and 20.01 lbs

or
7.495 and 7.505kg

4. Remove another 15 lbs. or 5kg from the platter and center the remaining weight. Verify the remote display reads:
5.0 lbs
or
2.5kg
5. Remove all the weight from the platter and verify the display reads:
0.00 lbs
or
0.00kg

Return to Zero Test

Ensure there is no load on the scale platter and verify the remote display reads:
0.00 lbs
or
0.00kg

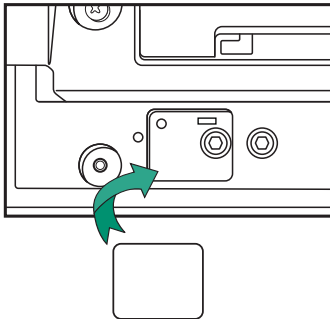
Security Seal Installation

The security seal may be installed only if there were no errors during the scale calibration verification tests.

Note: The certification of the weighing mechanism of the scale is subject to federal, state and local Weights and Measures statutes and regulations and can only be performed by authorized government agencies and/or their duly registered agents. Every time the scale or weighing mechanism is calibrated, it should be properly sealed with a paper seal or a wire seal prior to being placed into service in commerce. It is the responsibility of the owner of the scale to confirm compliance with the relevant Weights and Measures statutes and regulations applicable in your area by checking with the appropriate government agency before placing a newly calibrated unit into service or removing any official seals. The type of seal to be used depends on the guidelines specified by the local Weights and Measures authorities.

Pressure Sensitive Security Seal

1. Temporarily remove the platter and set aside.
2. Apply the adhesive calibration security seal from your local Weights and Measures department over the calibration button access hole.

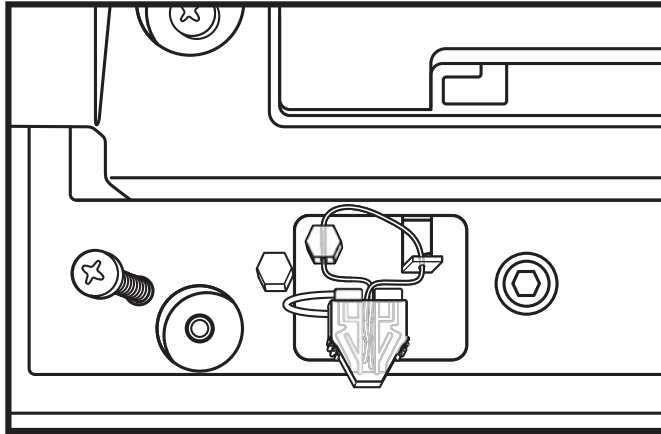


3. With very light pressure, push down on the seal label to adhere it to the opening.
4. Replace the security plate and hex bolt.
5. Reinstall the platter.

Wire Security Seal

1. Temporarily remove the platter and set aside.
2. Replace the wire seal security plate and bolt.

-
3. Thread the wires through the mandrel, the security plate tab, and the bolt head.



4. Plug the mandrel into the mandrel cover to secure the wire.
5. Reinstall the platter.

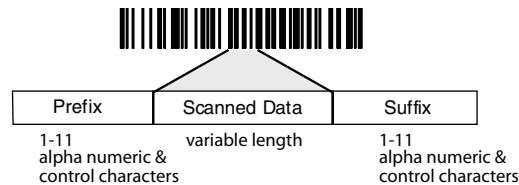
Note: Recheck the scale zero setting after installing the seals to ensure scale is at zero. If the scale is calibrated without the cover and wire seal, that weight could affect the calibration.



Prefix/Suffix Overview

When a bar code is scanned, additional information is sent to the host computer along with the bar code data. This group of bar code data and additional, user-defined data is called a “message string.” The selections in this section are used to build the user-defined data into the message string.

Prefix and Suffix characters are data characters that can be sent before and after scanned data. You can specify if they should be sent with all symbologies, or only with specific symbologies. The following illustration shows the breakdown of a message string:



Points to Keep In Mind

- It is not necessary to build a message string. The selections in this chapter are only used if you wish to alter the default settings. *Default prefix = None. Default suffix = None.*
- A prefix or suffix may be added or cleared from one symbology or all symbologies.
- You can add any prefix or suffix from the [ASCII Conversion Chart \(Code Page 1252\)](#), beginning on page A-3, plus Code I.D. and AIM I.D.
- You can string together several entries for several symbologies at one time.
- Enter prefixes and suffixes in the order in which you want them to appear on the output.
- When setting up for specific symbologies (as opposed to all symbologies), the specific symbology ID value counts as an added prefix or suffix character.
- The maximum size of a prefix or suffix configuration is 200 characters, which includes header information.

To Add a Prefix or Suffix:

- Step 1.** Scan the **Add Prefix** or **Add Suffix** symbol ([page 7-2](#)).
- Step 2.** Determine the 2 digit Hex value from the Symbology Chart (included in the [Symbology Charts](#), beginning on page A-1) for the symbology to which you want to apply the prefix or suffix. For example, for Code 128, Code ID is “j” and Hex ID is “6A”.
- Step 3.** Scan the 2 hex digits from the [Programming Chart](#) inside the back cover of this manual or scan **9, 9** for all symbologies.
- Step 4.** Determine the hex value from the [ASCII Conversion Chart \(Code Page 1252\)](#), beginning on page A-3, for the prefix or suffix you wish to enter.
- Step 5.** Scan the 2 digit hex value from the [Programming Chart](#) inside the back cover of this manual.
- Step 6.** Repeat Steps 4 and 5 for every prefix or suffix character.
- Step 7.** To add the Code I.D., scan **5, C, 8, 0**.
To add AIM I.D., scan **5, C, 8, 1**.
To add a backslash (\), scan **5, C, 5, C**.

Note: To add a backslash (\) as in Step 7, you must scan 5C twice – once to create the leading backslash and then to create the backslash itself.

- Step 8.** Scan **Save** to exit and save, or scan **Discard** to exit without saving.

Repeat Steps 1-6 to add a prefix or suffix for another symbology.

Example: Add a Tab Suffix to All Symbologies

Step 1. Scan **Add Suffix**.

Step 2. Scan **9, 9** from the [Programming Chart](#) inside the back cover of this manual to apply this suffix to all symbologies.

Step 3. Scan **0, 9** from the [Programming Chart](#) inside the back cover of this manual. This corresponds with the hex value for a horizontal tab, shown in the [ASCII Conversion Chart \(Code Page 1252\)](#), beginning on page A-3.

Scan **Save**, or scan **Discard** to exit without saving.

To Clear One or All Prefixes or Suffixes

You can clear a single prefix or suffix, or clear all prefixes/suffixes for a symbology. If you have been entering prefixes and suffixes for single symbologies, you can use **Clear One Prefix (Suffix)** to delete a specific character from a symbology. When you **Clear All Prefixes (Suffixes)**, all the prefixes or suffixes for a symbology are deleted.

Step 1. Scan the **Clear One Prefix** or **Clear One Suffix** symbol.

Step 2. Determine the 2 digit Hex value from the Symbology Chart (included in the [Symbology Charts](#), beginning on page A-1) for the symbology from which you want to clear the prefix or suffix.

Step 3. Scan the 2 digit hex value from the [Programming Chart](#) inside the back cover of this manual or scan **9, 9** for all symbologies.

Your change is automatically saved.

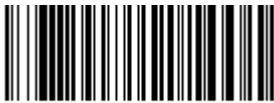
To Add a Carriage Return Suffix to All Symbologies

Scan the following bar code if you wish to add a carriage return suffix to all symbologies at once. This action first clears all current suffixes, then programs a carriage return suffix for all symbologies.

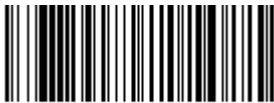


VSUF CR.
Add CR Suffix
All Symbologies

Prefix Selections



PREBK2.
Add Prefix



PRECA2.
Clear All Prefixes



PRECL2.
Clear One Prefix

Suffix Selections



SUFBK2.
Add Suffix



SUFCL2.
Clear One Suffix



SUFCA2.
Clear All Suffixes

Cash Register Code IDs

In order to work properly, some POS registers require that certain Code IDs are sent with all bar codes. Scan the appropriate bar code below to enable the Code ID set required. If you scan more than one of the codes below, the Code ID set for only the last selection is enabled.



CIDMAG.
Datalogic Magellan



CIDHAL.
Hallmark



CID15.
IBM 1520



CIDNCR.
NCR



CIDRTM.
Rochford-Thomson



CIDT71.
TEC 711



CIDSYO
Sanyo



CIDNIX.
Wincor Nixdorf



CIDT15.
TEC MA 1530



CIDBTL.
Wincor Nixdorf Beetle

Function Code Transmit

When this selection is enabled and function codes are contained within the scanned data, the scanner transmits the function code to the terminal. Charts of these function codes are provided in [Supported Interface Keys](#) starting on [page 11-3](#). When the scanner is in keyboard wedge mode, the scan code is converted to a key code before it is transmitted. *Default = Enable.*



RMVFNC0.
* Enable



RMVFNC1.
Disable

Communication Check Character

To enhance security, you can specify the transmission type of a check character; either LRC where the calculation starts on the first transmitted character, LRC where the calculation starts on the second transmitted character, or CRC.

Note: This option adds a check character to the bar code data for all symbologies. If you need to enable or disable check characters for individual symbologies, see [Symbologies](#) beginning on page 9-1.

Scan the following bar code to set the communication check character type. *Default = None.*

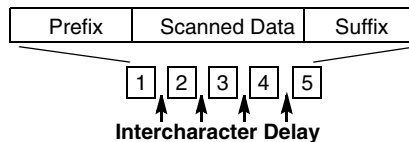


Intercharacter, Interfunction, and Intermessage Delays

Some terminals drop information (characters) if data comes through too quickly. Intercharacter, interfunction, and intermessage delays slow the transmission of data, increasing data integrity.

Intercharacter Delay

An intercharacter delay of up to 65535 milliseconds (in 1ms increments) may be placed between the transmission of each character of scanned data. Scan the **Intercharacter Delay** bar code below, then scan the number of 1ms delays, and the **Save** bar code using the [Programming Chart](#) inside the back cover of this manual.



To remove this delay, scan the **Intercharacter Delay** bar code, then set the number of delays to 0. Scan the **Save** bar code using the [Programming Chart](#) inside the back cover of this manual.

Note: Intercharacter delays are not supported in USB serial emulation.

User Specified Intercharacter Delay

An intercharacter delay of up to 65535 milliseconds (in 1ms increments) may be placed after the transmission of a particular character of scanned data. Scan the **Delay Length** bar code below, then scan the number of 1ms delays, and the **Save** bar code using the [Programming Chart](#) inside the back cover of this manual.

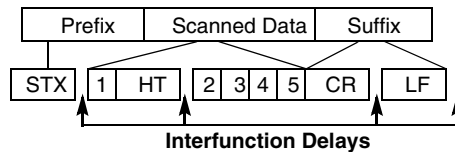
Next, scan the **Character to Trigger Delay** bar code, then the 2-digit hex value for the ASCII character that will trigger the delay [ASCII Conversion Chart \(Code Page 1252\)](#), beginning on page A-3.



To remove this delay, scan the **Delay Length** bar code, and set the number of delays to 0. Scan the **Save** bar code using the [Programming Chart](#) inside the back cover of this manual.

Interfunction Delay

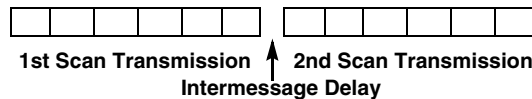
An interfunction delay of up to 65535 milliseconds (in 1 ms increments) may be placed between the transmission of each segment of the message string. Scan the **Interfunction Delay** bar code below, then scan the number of 1 ms delays, and the **Save** bar code using the [Programming Chart](#) inside the back cover of this manual.



To remove this delay, scan the **Interfunction Delay** bar code, then set the number of delays to 0. Scan the **Save** bar code using the [Programming Chart](#) inside the back cover of this manual.

Intermessage Delay

An intermessage delay of up to 65535 milliseconds (in 1 ms increments) may be placed between each scan transmission. Scan the **Intermessage Delay** bar code below, then scan the number of 1 ms delays, and the **Save** bar code using the [Programming Chart](#) inside the back cover of this manual.



To remove this delay, scan the **Intermessage Delay** bar code, then set the number of delays to 0. Scan the **Save** bar code using the [Programming Chart](#) inside the back cover of this manual.

Data Formatting

Data Format Editor Introduction

You may use the Data Format Editor to change the scanner's output. For example, you can use the Data Format Editor to insert characters at certain points in bar code data as it is scanned. The selections in the following pages are used only if you wish to alter the output. *Default Data Format setting = None.*

Normally, when you scan a bar code, it is output automatically. However, when you create a format you must use a "send" command (see [Send Commands](#) on page 8-3) within the format program to output data.

Multiple formats may be programmed into the scanner. They are stacked in the order in which they are entered. However, the following list presents the order in which formats are applied:

1. Specific Terminal ID, Actual Code ID, Actual Length
2. Specific Terminal ID, Actual Code ID, Universal Length
3. Specific Terminal ID, Universal Code ID, Actual Length
4. Specific Terminal ID, Universal Code ID, Universal Length
5. Universal Terminal ID, Actual Code ID, Actual Length
6. Universal Terminal ID, Actual Code ID, Universal Length
7. Universal Terminal ID, Universal Code ID, Actual Length
8. Universal Terminal ID, Universal Code ID, Universal Length

The maximum size of a data format configuration is 2000 bytes, which includes header information.

If you have changed data format settings, and wish to clear all formats and return to the factory defaults, scan the **Default Data Format** code below.



DFMDF3.

* Default Data Format

Add a Data Format

Step 1. Scan the **Enter Data Format** symbol ([page 8-2](#)).

Step 2. Select **Primary/Alternate Format**

Determine if this will be your primary data format, or one of 3 alternate formats. This allows you to save a total of 4 different data formats. To program your primary format, scan **0** using the [Programming Chart](#) inside the back cover of this manual. If you are programming an alternate format, scan **1**, **2**, or **3**, depending on which alternate format you are programming. (See "Primary/Alternate Data Formats" on page 8-13 for further information.)

Step 3. **Terminal Type**

Refer to [Terminal ID Table](#) ([page 8-3](#)) and locate the Terminal ID number for your PC. Scan three numeric bar codes on the inside back cover to program the scanner for your terminal ID (you must enter 3 digits). For example, scan **0 0 3** for an AT wedge.

Note: 099 indicates all terminal types.

Step 4. **Code I.D.**

In the [Symbology Charts](#), beginning on page A-1, find the symbology to which you want to apply the data format. Locate the Hex value for that symbology and scan the 2 digit hex value from the [Programming Chart](#) inside the back cover of this manual.

If you wish to create a data format for all symbologies, with the exception of some specific symbologies, refer to B8 ([page 8-11](#)).

If you are creating a data format for Batch Mode Quantity, use 35 for the Code I.D.

Note: 99 indicates all symbologies.

Step 5. Length

Specify what length (up to 9999 characters) of data will be acceptable for this symbology. Scan the four digit data length from the [Programming Chart](#) inside the back cover of this manual. (Note: 50 characters is entered as 0050.

Note: 9999 indicates all lengths.

Step 6. Editor Commands

Refer to [Data Format Editor Commands](#) (page 8-3). Scan the symbols that represent the command you want to enter. 94 alphanumeric characters may be entered for each symbology data format.

Step 7. Scan **Save** to save your data format, or **Discard** to exit without saving your changes.



DFMBK3.
Enter Data Format



MNUSAV.
Save



MNUABT.
Discard

Other Programming Selections

Clear One Data Format

This deletes one data format for one symbology. If you are clearing the primary format, scan **0** from the [Programming Chart](#) inside the back cover of this manual. If you are clearing an alternate format, scan **1**, **2**, or **3**, depending on the format you are clearing. Scan the Terminal Type and Code I.D. (see [Symbology Charts](#) on page A-1), and the bar code data length for the specific data format that you want to delete. All other formats remain unaffected.

Clear all Data Formats

This clears all data formats.

Save to exit and save your data format changes.

Discard to exit without saving any data format changes.



DFMCL3.
Clear One Data Format



DFMCA3.
Clear All Data Formats



MNUSAV.
Save



MNUABT.
Discard

Terminal ID Table

| Terminal | Model(s) | Terminal ID |
|----------|--|-------------|
| USB | PC keyboard (HID) | 124 |
| | Mac Keyboard | 125 |
| | PC Keyboard (Japanese) | 134 |
| | Serial (COM driver required) | 130 |
| | HID POS | 131 |
| | USB SurePOS Handheld | 128 |
| | USB SurePOS Tabletop | 129 |
| | IBM USB POS Tabletop Scanner/Scale (SurePOS) | 140 |
| Serial | RS232 TTL | 000 |
| | RS232 True | 000 |
| | RS485 (IBM-HHBCR 1+2, 46xx) | 051 |
| | IBM Tabletop Scanner/Scale (SurePOS) | 140 |
| Keyboard | PS2 compatibles | 003 |

Data Format Editor Commands

When working with the Data Format Editor, a virtual cursor is moved along your input data string. The following commands are used to both move this cursor to different positions, and to select, replace, and insert data into the final output. For examples that use the Data Format Editor commands, refer to [Data Formatter](#) on page 8-11.

Send Commands

Send all characters

- F1 Include in the output message all of the characters from the input message, starting from current cursor position, followed by an insert character. *Syntax = F1xx* where xx stands for the insert character's hex value for its ASCII code. Refer to the [ASCII Conversion Chart \(Code Page 1252\)](#), beginning on page A-3 for decimal, hex and character codes.

Send a number of characters

- F2 Include in the output message a number of characters followed by an insert character. Start from the current cursor position and continue for "nn" characters or through the last character in the input message, followed by character "xx." *Syntax = F2nnxx* where nn stands for the numeric value (00-99) for the number of characters, and xx stands for the insert character's hex value for its ASCII code. Refer to the [ASCII Conversion Chart \(Code Page 1252\)](#), beginning on page A-3 for decimal, hex and character codes.

F2 Example: Send a number of characters



Send the first 10 characters from the bar code above, followed by a carriage return. Command string: **F2100D**

F2 is the "Send a number of characters" command

10 is the number of characters to send

0D is the hex value for a CR

The data is output as: **1234567890**

F2 and F1 Example: Split characters into 2 lines

Send the first 10 characters from the bar code above, followed by a carriage return, followed by the rest of the characters.

Command string: **F2100DF10D**

F2 is the "Send a number of characters" command

10 is the number of characters to send for the first line

0D is the hex value for a CR

F1 is the "Send all characters" command

0D is the hex value for a CR

The data is output as:

1234567890
ABCDEFGHIJ
<CR>

Send all characters up to a particular character

- F3 Include in the output message all characters from the input message, starting with the character at the current cursor position and continuing to, but not including, the search character “ss,” followed by an insert character. The cursor is moved forward to the “ss” character. *Syntax = F3ssxx* where ss stands for the search character’s hex value for its ASCII code, and xx stands for the insert character’s hex value for its ASCII code. Refer to the [ASCII Conversion Chart \(Code Page 1252\)](#), beginning on page A-3 for decimal, hex and character codes.

F3 Example: Send all characters up to a particular character



Using the bar code above, send all characters up to but not including “D,” followed by a carriage return.

Command string: **F3440D**

F3 is the “Send all characters up to a particular character” command

44 is the hex value for a 'D'

0D is the hex value for a CR

The data is output as:

1234567890ABC
<CR>

Send all characters up to a string

- B9 Include in the output message all characters from the input message, starting with the character at the current cursor position and continuing to, but not including, the search string “s...s.” The cursor is moved forward to the beginning of the “s...s” string. *Syntax = B9nnns...s* where nnnn stands for the length of the string, and s...s stands for the string to be matched. The string is made up of hex values for the characters in the string. Refer to the [ASCII Conversion Chart \(Code Page 1252\)](#), beginning on page A-3 for decimal, hex and character codes.

B9 Example: Send all characters up to a defined string



Using the bar code above, send all characters up to but not including “AB.”

Command string: **B900024142**

B9 is the “Send all characters up to a string” command

0002 is the length of the string (2 characters)

41 is the hex value for A

42 is the hex value for B

The data is output as: **1234567890**

Send all but the last characters

- E9 Include in the output message all but the last “nn” characters, starting from the current cursor position. The cursor is moved forward to one position past the last input message character included. *Syntax = E9nn* where nn stands for the numeric value (00-99) for the number of characters that will not be sent at the end of the message.

Insert a character multiple times

- F4 Send “xx” character “nn” times in the output message, leaving the cursor in the current position. *Syntax = F4xxnn* where xx stands for the insert character’s hex value for its ASCII code, and nn is the numeric value (00-99) for the number of times it should be sent. Refer to the [ASCII Conversion Chart \(Code Page 1252\)](#), beginning on page A-3 for decimal, hex and character codes.

E9 and F4 Example: Send all but the last characters, followed by 2 tabs



Send all characters except for the last 8 from the bar code above, followed by 2 tabs.

Command string: **E908F40902**

E9 is the "Send all but the last characters" command

08 is the number of characters at the end to ignore

F4 is the "Insert a character multiple times" command

09 is the hex value for a horizontal tab

02 is the number of times the tab character is sent

The data is output as:

1234567890AB <tab><tab>

Insert a string

- B8 Send "ss" string of "nn" length in the output message, leaving the cursor in the current position. *Syntax = BAnnnns...s* where nnnn stands for the length of the string, and s...s stands for the string. The string is made up of hex values for the characters in the string. Refer to the [ASCII Conversion Chart \(Code Page 1252\)](#), beginning on page A-3 for decimal, hex and character codes.

B9 and BA Example: Look for the string "AB" and insert 2 asterisks ()**



Using the bar code above, send all characters up to but not including "AB." Insert 2 asterisks at that point, and send the rest of the data with a carriage return after.

Command string: **B900024142BA00022A2AF10D**

B9 is the "Send all characters up to a string" command

0002 is the length of the string (2 characters)

41 is the hex value for A

42 is the hex value for B

BA is the "Insert a string" command

0002 is the length of the string to be added (2 characters)

2A is the hex value for an asterisk (*)

2A is the hex value for an asterisk (*)

F1 is the "Send all characters" command

0D is the hex value for a CR

The data is output as: **1234567890**ABCDEFGHIJ
<CR>**

Insert symbology name

- B3 Insert the name of the bar code's symbology in the output message, without moving the cursor. Only symbologies with a Honeywell ID are included (see [Symbology Charts](#) on page A-1). Refer to the [ASCII Conversion Chart \(Code Page 1252\)](#), beginning on page A-3 for decimal, hex and character codes.

Insert bar code length

- B4 Insert the bar code's length in the output message, without moving the cursor. The length is expressed as a numeric string and does not include leading zeros.

B3 and B4 Example: Insert the symbology name and length



Send the symbology name and length before the bar code data from the bar code above. Break up these insertions with spaces. End with a carriage return.

Command string: **B3F42001B4F42001F10D**

B3 is the "Insert symbology name" command

F4 is the "Insert a character multiple times" command

20 is the hex value for a space

01 is the number of times the space character is sent

B4 is the "Insert bar code length" command

F4 is the "Insert a character multiple times" command

20 is the hex value for a space

01 is the number of times the space character is sent

F1 is the "Send all characters" command

0D is the hex value for a CR

The data is output as:

Code128 20 1234567890ABCDEFGHIJ
<CR>

Insert key strokes

- B5 Insert a key stroke or combination of key strokes. Key strokes are dependent on your keyboard (see [Unicode Key Maps](#) on page A-10). Any key can be inserted, including arrows and functions. *Syntax = B5xxssnn* where xx is the number of keys pressed (without key modifiers), ss is the key modifier from the table below, and nn is the key number from the [Unicode Key Maps](#), page A-10.

| Key Modifiers | |
|----------------------|----|
| No Key Modifier | 00 |
| Shift Left | 01 |
| Shift Right | 02 |
| Alt Left | 04 |
| Alt Right | 08 |
| Control Left | 10 |
| Control Right | 20 |

For example, B501021F inserts an "A" on a 104 key, U.S. style keyboard. B5 = the command, 01 = number of keys pressed (without the key modifier), 02 is the key modifier for Shift Right, and 1F is the "a" key. If a lower case "a" were to be inserted, B501001F would be entered.

If there are three keystrokes, the syntax would change from B5xxssnn for one keystroke to B5xxssnnssnnssnn. An example that would insert "abc" is as follows: B503001F00320030F833.

Note: Key modifiers can be added together when needed. Example: Control Left+Shift Left = 11.

Move Commands

Move the cursor forward a number of characters

- F5 Move the cursor ahead "nn" characters from current cursor position.
Syntax = F5nn where nn is the numeric value (00-99) for the number of characters the cursor should be moved ahead.

F5 Example: Move the cursor forward and send the data



Move the cursor forward 3 characters, then send the rest of the bar code data from the bar code above. End with a carriage return.

Command string: **F503F10D**

F5 is the “Move the cursor forward a number of characters” command

03 is the number of characters to move the cursor

F1 is the “Send all characters” command

0D is the hex value for a CR

The data is output as:

4567890ABCDEFGHIJ

<CR>

Move the cursor backward a number of characters

- F6 Move the cursor back “nn” characters from current cursor position. *Syntax = F6nn* where nn is the numeric value (00-99) for the number of characters the cursor should be moved back.

Move the cursor to the beginning

- F7 Move the cursor to the first character in the input message. *Syntax = F7.*

FE and F7 Example: Manipulate bar codes that begin with a 1



Search for bar codes that begin with a 1. If a bar code matches, move the cursor back to the beginning of the data and send 6 characters followed by a carriage return. Using the bar code above:

Command string: **FE31F7F2060D**

FE is the “Compare characters” command

31 is the hex value for 1

F7 is the “Move the cursor to the beginning” command

F2 is the “Send a number of characters” command

06 is the number of characters to send

0D is the hex value for a CR

The data is output as:

123456

<CR>

Move the cursor to the end

- EA Move the cursor to the last character in the input message. *Syntax = EA.*

Search Commands

Search forward for a character

- F8 Search the input message forward for “xx” character from the current cursor position, leaving the cursor pointing to the “xx” character. *Syntax = F8xx* where xx stands for the search character’s hex value for its ASCII code. Refer to the [ASCII Conversion Chart \(Code Page 1252\)](#), beginning on page A-3 for decimal, hex and character codes.

F8 Example: Send bar code data that starts after a particular character



Search for the letter “D” in bar codes and send all the data that follows, including the “D.” Using the bar code above:

Command string: **F844F10D**

F8 is the “Search forward for a character” command

44 is the hex value for “D”

F1 is the “Send all characters” command

0D is the hex value for a CR

The data is output as:

DEFGHIJ
<CR>

Search backward for a character

- F9 Search the input message backward for “xx” character from the current cursor position, leaving the cursor pointing to the “xx” character. *Syntax = F9xx* where xx stands for the search character’s hex value for its ASCII code. Refer to the [ASCII Conversion Chart \(Code Page 1252\)](#), beginning on page A-3 for decimal, hex and character codes.

Search forward for a string

- B0 Search forward for “s” string from the current cursor position, leaving cursor pointing to “s” string. *Syntax = B0nnnnS* where nnnn is the string length (up to 9999), and S consists of the ASCII hex value of each character in the match string. For example, B0000454657374 will search forward for the first occurrence of the 4 character string “Test.” Refer to the [ASCII Conversion Chart \(Code Page 1252\)](#), beginning on page A-3 for decimal, hex and character codes.

B0 Example: Send bar code data that starts after a string of characters



Search for the letters “FGH” in bar codes and send all the data that follows, including “FGH.” Using the bar code above:

Command string: **B00003464748F10D**

B0 is the “Search forward for a string” command

0003 is the string length (3 characters)

46 is the hex value for “F”

47 is the hex value for “G”

48 is the hex value for “H”

F1 is the “Send all characters” command

0D is the hex value for a CR

The data is output as:

FGHIJ
<CR>

Search backward for a string

- B1 Search backward for “s” string from the current cursor position, leaving cursor pointing to “s” string. *Syntax = B1nnnnS* where nnnn is the string length (up to 9999), and S consists of the ASCII hex value of each character in the match string. For example, B1000454657374 will search backward for the first occurrence of the 4 character string “Test.” Refer to the [ASCII Conversion Chart \(Code Page 1252\)](#), beginning on page A-3 for decimal, hex and character codes.

Search forward for a non-matching character

- E6 Search the input message forward for the first non-“xx” character from the current cursor position, leaving the cursor pointing to the non-“xx” character. *Syntax = E6xx* where xx stands for the search character’s hex value for its ASCII code. Refer to the [ASCII Conversion Chart \(Code Page 1252\)](#), beginning on page A-3 for decimal, hex and character codes.

E6 Example: Remove zeros at the beginning of bar code data



This example shows a bar code that has been zero filled. You may want to ignore the zeros and send all the data that follows. E6 searches forward for the first character that is not zero, then sends all the data after, followed by a carriage return. Using the bar code above:

Command string: **E630F10D**

E6 is the “Search forward for a non-matching character” command

30 is the hex value for 0

F1 is the “Send all characters” command

0D is the hex value for a CR

The data is output as:

37692

<CR>

Search backward for a non-matching character

- E7 Search the input message backward for the first non-“xx” character from the current cursor position, leaving the cursor pointing to the non-“xx” character. *Syntax = E7xx* where xx stands for the search character’s hex value for its ASCII code.
Refer to the [ASCII Conversion Chart \(Code Page 1252\)](#), beginning on page A-3 for decimal, hex and character codes.

Miscellaneous Commands

Suppress characters

- FB Suppress all occurrences of up to 15 different characters, starting at the current cursor position, as the cursor is advanced by other commands. When the FC command is encountered, the suppress function is terminated. The cursor is not moved by the FB command.
Syntax = FBnnxxyy . .zz where nn is a count of the number of suppressed characters in the list, and xxyy .. zz is the list of characters to be suppressed.

FB Example: Remove spaces in bar code data



This example shows a bar code that has spaces in the data. You may want to remove the spaces before sending the data. Using the bar code above:

Command string: **FB0120F10D**

FB is the “Suppress characters” command

01 is the number of character types to be suppressed

20 is the hex value for a space

F1 is the “Send all characters” command

0D is the hex value for a CR

The data is output as:

34567890

<CR>

Stop suppressing characters

- FC Disables suppress filter and clear all suppressed characters. *Syntax = FC.*

Replace characters

- E4 Replaces up to 15 characters in the output message, without moving the cursor. Replacement continues until the E5 command is encountered. *Syntax = E4nnxx₁xx₂yy₁yy₂...zz₁zz₂* where nn is the total count of the number of characters in the list (characters to be replaced plus replacement characters); xx₁ defines characters to be replaced and xx₂ defines replacement characters, continuing through zz₁ and zz₂.

E4 Example: Replace zeros with CRs in bar code data



If the bar code has characters that the host application does not want included, you can use the E4 command to replace those characters with something else. In this example, you will replace the zeroed in the bar code above with carriage returns.

Command string: **E402300DF10D**

E4 is the “Replace characters” command

02 is the total count of characters to be replaced, plus the replacement characters (0 is replaced by CR, so total characters = 2)

30 is the hex value for 0

0D is the hex value for a CR (the character that will replace the 0)

F1 is the "Send all characters" command

0D is the hex value for a CR

The data is output as:

1234

5678

ABC

<CR>

Stop replacing characters

E5 Terminates character replacement. *Syntax = E5.*

Compare characters

FE Compare the character in the current cursor position to the character "xx." If characters are equal, move the cursor forward one position. *Syntax = FExx* where xx stands for the comparison character's hex value for its ASCII code. Refer to the [ASCII Conversion Chart \(Code Page 1252\)](#), beginning on page A-3 for decimal, hex and character codes.

Compare string

B2 Compare the string in the input message to the string "s." If the strings are equal, move the cursor forward past the end of the string. *Syntax = B2nnnnS* where nnnn is the string length (up to 9999), and S consists of the ASCII hex value of each character in the match string. For example, B2000454657374 will compare the string at the current cursor position with the 4 character string "Test." Refer to the [ASCII Conversion Chart \(Code Page 1252\)](#), beginning on page A-3 for decimal, hex and character codes.

Check for a number

EC Check to make sure there is an ASCII number at the current cursor position. The format is aborted if the character is not numeric.

EC Example: Only output the data if the bar code begins with a number

If you will only accept data from bar codes that begin with a number, you can use EC to check for the number.

Command string: **ECF10D**

EC is the "Check for a number" command

F1 is the "Send all characters" command

0D is the hex value for a CR

If this bar code is read,  the format fails.
AB1234

If this bar code is read:  the data is output as:
1234AB

1234AB

<CR>

Check for non-numeric character

ED Check to make sure there is a non-numeric ASCII character at the current cursor position. The format is aborted if the character is numeric.

ED Example: Only output the data if the bar code begins with a letter

If you will only accept data from bar codes that begin with a letter, you can use ED to check for the number.

Command string: **EDF10D**

ED is the "Check for a non-numeric character" command

F1 is the “Send all characters” command

0D is the hex value for a CR

If this bar code is read,  the format fails.

1234AB

If this bar code is read:  the data is output as:

AB1234

AB1234

<CR>

Insert a delay

EF Inserts a delay of up to 49,995 milliseconds (in multiples of 5), starting from the current cursor position. Syntax = EFnnnn where nnnn stands for the delay in 5ms increments, up to 9999. This command can only be used with keyboard emulation.

Discard Data

B8 Discards types of data. For example, you may want to discard Code 128 bar codes that begin with the letter A. In step 4 ([page 8-1](#)), select 6A (for Code 128), and in step 5, select 9999 (for all lengths). Enter FE41B8 to compare and discard Code 128 bar codes that begin with the letter A. Syntax = B8.

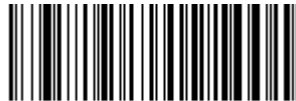
Note: The B8 command must be entered after all other commands.

*The Data Format must be **Required** (see [page 8-11](#)) in order for the B8 command to work. If Data Format is On, but Not Required ([page 8-12](#)), bar code data that meets the B8 format is scanned and output as usual.*

*Other data format settings impact the B8 command. If Data Format Non-Match Error Tone is **On** ([page 8-12](#)), the scanner emits an error tone. If Data format Non-Match Error Tone is **Off**, the code is disabled for reading and no tone is sounded.*

Data Formatter

When Data Formatter is turned Off, the bar code data is output to the host as read, including prefixes and suffixes.



DFM_END.

Data Formatter Off

You may wish to require the data to conform to a data format you have created and saved. The following settings can be applied to your data format:

Data Formatter On, Not Required, Keep Prefix/Suffix

Scanned data is modified according to your data format, and prefixes and suffixes are transmitted.

Data Formatter On, Not Required, Drop Prefix/Suffix

Scanned data is modified according to your data format. If a data format is found for a particular symbol, those prefixes and suffixes are not transmitted. If a data format is *not* found for that symbol, the prefixes and suffixes *are* transmitted.

Data Format Required, Keep Prefix/Suffix

Scanned data is modified according to your data format, and prefixes and suffixes are transmitted. Any data that does not match your data format requirements generates an error tone and the data in that bar code is not transmitted. If you wish to process this type of bar code without generating an error tone, see [Data Format Non-Match Error Tone](#).

Data Format Required, Drop Prefix/Suffix

Scanned data is modified according to your data format. If a data format is found for a particular symbol, those prefixes and suffixes are not transmitted. Any data that does not match your data format requirements generates an error tone. If you wish to process this type of bar code without generating an error tone, see [Data Format Non-Match Error Tone](#).

Choose one of the following options. *Default = Data Formatter On, Not Required, Keep Prefix/Suffix.*



DFM_EN1.
* **Data Formatter On,
Not Required,
Keep Prefix/Suffix**



DFM_EN3.
**Data Formatter On,
Not Required,
Drop Prefix/Suffix**



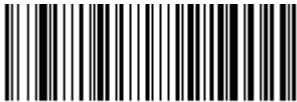
DFM_EN2.
**Data Format Required,
Keep Prefix/Suffix**



DFM_EN4.
**Data Format Required,
Drop Prefix/Suffix**

Data Format Non-Match Error Tone

When a bar code is encountered that doesn't match your required data format, the scanner normally generates an error tone. However, you may want to continue scanning bar codes without hearing the error tone. If you scan the **Data Format Non-Match Error Tone Off** bar code, data that doesn't conform to your data format is not transmitted, and no error tone will sound. If you wish to hear the error tone when a non-matching bar code is found, scan the **Data Format Non-Match Error Tone On** bar code. *Default = Data Format Non-Match Error Tone On.*



DFMDEC0.
* **Data Format Non-Match Error
Tone On**



DFMDEC1.
**Data Format Non-Match
Error Tone Off**

Primary/Alternate Data Formats

You can save up to four data formats, and switch between these formats. Your primary data format is saved under **0**. Your other three formats are saved under **1**, **2**, and **3**. To set your device to use one of these formats, scan one of the bar codes below.



ALTFNM0.
Primary Data Format



ALTFNM2.
Data Format 2



ALTFNM1.
Data Format 1



ALTFNM3.
Data Format 3

Single Scan Data Format Change

You can also switch between data formats for a single scan. The next bar code is scanned using an alternate data format, then reverts to the format you have selected above (either Primary, 1, 2, or 3).

For example, you may have set your device to the data format you saved as Data Format 3. You can switch to Data Format 1 for a single trigger pull by scanning the **Single Scan-Data Format 1** bar code below. The next bar code that is scanned uses Data Format 1, then reverts back to Data Format 3.



VSAF_0.
Single Scan-Primary
Data Format



VSAF_2.
Single Scan-Data Format 2



VSAF_1.
Single Scan-Data Format 1



VSAF_3.
Single Scan-Data Format 3



Symbologies

This programming section contains the following menu selections. Refer to [Chapter 13](#) for settings and defaults.

- All Symbologies
- Aztec Code
- Chinese Sensible (Han Xin) Code
- Codabar
- Codablock A
- Codablock F
- Code 11
- Code 128
- Code 32 Pharmaceutical (PARAF)
- Code 39
- Code 93
- Coupon Code Settings
- Data Matrix
- EAN/JAN-13
- EAN/JAN-8
- GS1 Composite Codes
- GS1 DataBar Expanded
- GS1 DataBar Limited
- GS1 DataBar Omnidirectional
- GS1 Emulation
- GS1-128
- In-Store Printed Bar Codes
- Interleaved 2 of 5
- Matrix 2 of 5
- MaxiCode
- MicroPDF417
- MSI
- NEC 2 of 5
- Plessey Code
- PDF417
- QR Code
- Straight 2 of 5 IATA (two-bar start/stop)
- Straight 2 of 5 Industrial (three-bar start/stop)
- TCIF Linked Code 39 (TLC39)
- Telepen
- Trioptic Code
- UPC-A
- UPC-A/EAN-13 with Extended Coupon Code
- UPC-E0

All Symbologies

If you want to decode all the symbologies allowable for your scanner, scan the **All Symbologies On** code. If on the other hand, you want to decode only a particular symbology, scan **All Symbologies Off** followed by the On symbol for that particular symbology.



ALLENA1.
All Symbologies On



ALLENA0.
All Symbologies Off

Note: When All Symbologies On is scanned, 2D Postal Codes are not enabled. 2D Postal Codes must be enabled separately.

Message Length Description

You are able to set the valid reading length of some of the bar code symbologies. If the data length of the scanned bar code doesn't match the valid reading length, the scanner will issue an error tone. You may wish to set the same value for minimum and maximum length to force the scanner to read fixed length bar code data. This helps reduce the chances of a misread.

EXAMPLE: Decode only those bar codes with a count of 9-20 characters.
Min. length = 09Max. length = 20

EXAMPLE: Decode only those bar codes with a count of 15 characters.
Min. length = 15Max. length = 15

For a value other than the minimum and maximum message length defaults, scan the bar codes included in the explanation of the symbology, then scan the digit value of the message length and **Save** bar codes on the [Programming Chart](#) inside the back cover of this manual. The minimum and maximum lengths and the defaults are included with the respective symbologies.

Codabar



CBRDFT.
Default All Codabar Settings

Codabar On/Off



CBRENA1.
On



CBRENA0.
* Off

Codabar Start/Stop Characters

Start/Stop characters identify the leading and trailing ends of the bar code. You may either transmit, or not transmit Start/Stop characters.

Default = Don't Transmit.



CBRSSX1.
Transmit



CBRSSX0.
* Don't Transmit

Codabar Check Character

Codabar check characters are created using different “modulos.” You can program the scanner to read only Codabar bar codes with Modulo 16 check characters. *Default = No Check Character.*

No Check Character indicates that the scanner reads and transmits bar code data with or without a check character.

When Check Character is set to **Validate and Transmit**, the scanner will only read Codabar bar codes printed with a check character, and will transmit this character at the end of the scanned data.

When Check Character is set to **Validate, but Don't Transmit**, the unit will only read Codabar bar codes printed **with** a check character, but will not transmit the check character with the scanned data.



CBRCK20.
* No Check Character



CBRCK21.
Validate Modulo 16, but
Don't Transmit



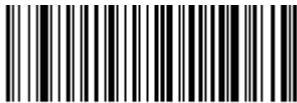
CBRCK22.
Validate Modulo 16
and Transmit

Codabar Concatenation

Codabar supports symbol concatenation. When you enable concatenation, the scanner looks for a Codabar symbol having a “D” start character, adjacent to a symbol having a “D” stop character. In this case the two messages are concatenated into one with the “D” characters omitted.



Select Require to prevent the scanner from decoding a single “D” Codabar symbol without its companion. This selection has no effect on Codabar symbols without Stop/Start D characters.



CBRCCT1.
On



CBRCCT0.
* Off



CBRCCT2.
Require

Codabar Redundancy

If you are encountering errors when reading Codabar bar codes, you may want to adjust the redundancy count. Redundancy adjusts the number of times a bar code is decoded before transmission, which may reduce the number of errors. Note that the higher the redundancy count, the longer it will take to decode the bar code. To adjust the redundancy, scan the following **Codabar Redundancy** bar code, then scan a redundancy count between 0 and 10 on the [Programming Chart](#) inside the back cover of this manual. Then scan the **Save** bar code. *Default = 0.*



CBRVOT.

Codabar Redundancy

Codabar Message Length

Scan the bar codes below to change the message length. Refer to [Message Length Description](#) (page 9-1) for additional information. Minimum and Maximum lengths = 1-80. Minimum Default = 3, Maximum Default = 80.



CBRMIN.

Minimum Message Length



CBRMAX.

Maximum Message Length

Code 39



C39DFT.
Default All Code 39 Settings

Code 39 On/Off



C39ENA1.
On



C39ENA0.
* Off

Code 39 Start/Stop Characters

Start/Stop characters identify the leading and trailing ends of the bar code. You may either transmit, or not transmit Start/Stop characters. *Default = Don't Transmit.*



C39SSX1.
Transmit



C39SSX0.
* Don't Transmit

Code 39 Check Character

No Check Character indicates that the scanner reads and transmits bar code data with or without a check character.

When Check Character is set to **Validate, but Don't Transmit**, the unit only reads Code 39 bar codes printed with a check character, but will not transmit the check character with the scanned data.

When Check Character is set to **Validate and Transmit**, the scanner only reads Code 39 bar codes printed with a check character, and will transmit this character at the end of the scanned data. *Default = No Check Character.*



C39CK20.
* No Check Character



C39CK21.

Validate, but Don't Transmit



C39CK22.

Validate and Transmit

Code 39 Message Length

Scan the bar codes below to change the message length. Refer to [Message Length Description](#) (page 9-1) for additional information. Minimum and Maximum lengths = 0-80. Minimum Default = 3, Maximum Default = 80.



C39MIN.

Minimum Message Length



C39MAX.

Maximum Message Length

Code 39 Redundancy

If you are encountering errors when reading Code 39 bar codes, you may want to adjust the redundancy count. Redundancy adjusts the number of times a bar code is decoded before transmission, which may reduce the number of errors. Note that the higher the redundancy count, the longer it will take to decode the bar code. To adjust the redundancy, scan the **Code 39 Redundancy** bar code below, then scan a redundancy count between 0 and 10 on the [Programming Chart](#) inside the back cover of this manual, then scanning **Save**. *Default = 0.*



C39VOT.

Code 39 Redundancy

Code 32 Pharmaceutical (PARAF)

Code 32 Pharmaceutical is a form of the Code 39 symbology used by Italian pharmacies. This symbology is also known as PARAF.

Note: Trioptic Code (page 9-62) must be turned off while scanning Code 32 Pharmaceutical codes.



C39B321.

On



C39B320.

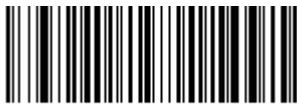
* Off

Full ASCII

If Full ASCII Code 39 decoding is enabled, certain character pairs within the bar code symbol will be interpreted as a single character. For example: \$V will be decoded as the ASCII character SYN, and /C will be decoded as the ASCII character #. Default = Off.

| | | | | | | | |
|---------|---------|----------|------|------|------|------|--------|
| NUL %U | DLE \$P | SP SPACE | 0 0 | @ %V | P P | ' %W | p +P |
| SOH \$A | DC1 \$Q | ! /A | 1 1 | A A | Q Q | a +A | q +Q |
| STX \$B | DC2 \$R | " /B | 2 2 | B B | R R | b +B | r +R |
| ETX \$C | DC3 \$S | # /C | 3 3 | C C | S S | c +C | s +S |
| EOT \$D | DC4 \$T | \$ /D | 4 4 | D D | T T | d +D | t +T |
| ENQ \$E | NAK \$U | % /E | 5 5 | E E | U U | e +E | u +U |
| ACK \$F | SYN \$V | & /F | 6 6 | F F | V V | f +F | v +V |
| BEL \$G | ETB \$W | ' /G | 7 7 | G G | W W | g +G | w +W |
| BS \$H | CAN \$X | (/H | 8 8 | H H | X X | h +H | x +X |
| HT \$I | EM \$Y |) /I | 9 9 | I I | Y Y | i +I | y +Y |
| LF \$J | SUB \$Z | * /J | : /Z | J J | Z Z | j +J | z +Z |
| VT \$K | ESC %A | + /K | ; %F | K K | [%K | k +K | { %P |
| FF \$L | FS %B | , /L | < %G | L L | \ %L | l +L | %Q |
| CR \$M | GS %C | - - | = %H | M M |] %M | m +M | } %R |
| SO \$N | RS %D | . . | > %I | N N | ^ %N | n +N | ~ %S |
| SI \$O | US %E | / /O | ? %J | O O | _ %O | o +O | DEL %T |

Character pairs /M and /N decode as a minus sign and period respectively.
Character pairs /P through /Y decode as 0 through 9.



C39ASC1.

Full ASCII On



C39ASC0.

* Full ASCII Off

Code 39 Code Page

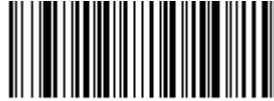
Code pages define the mapping of character codes to characters. If the data received does not display with the proper characters, it may be because the bar code being scanned was created using a code page that is different from the one the host program is expecting. If this is the case, scan the bar code below, select the code page with which the bar codes were created (see [ISO 2022/ISO 646 Character Replacements](#) on page A-7), and scan the value and the **Save** bar code from

the [Programming Chart](#) on the inside the back cover of this manual. The data characters should then appear properly.



C39DCP.
Code 39 Code Page

Interleaved 2 of 5



I25DFT.
Default All Interleaved 2 of 5 Settings

Interleaved 2 of 5 On/Off



I25ENA1.
On



I25ENA0.
* Off

NULL Characters

Interleaved 2 of 5 requires an even number of characters. When an odd number of characters is present, it is due to NULL characters embedded in the bar code. Scan the **On** bar code below to decode this type of Interleaved 2 of 5 bar code.

Default = Off.



I25NULO.
* Off



I25NUL1.
On

Check Digit

No Check Digit indicates that the scanner reads and transmits bar code data with or without a check digit.

When Check Digit is set to **Validate, but Don't Transmit**, the unit only reads Interleaved 2 of 5 bar codes printed with a check digit, but will not transmit the check digit with the scanned data.

When Check Digit is set to **Validate and Transmit**, the scanner only reads Interleaved 2 of 5 bar codes printed with a check digit, and will transmit this digit at the end of the scanned data. *Default = No Check Digit.*



I25CK20.
* No Check Digit



I25CK21.
Validate, but Don't Transmit



I25CK22.
Validate and Transmit

Interleaved 2 of 5 Redundancy

If you are encountering errors when reading Interleaved 2 of 5 bar codes, you may want to adjust the redundancy count. Redundancy adjusts the number of times a bar code is decoded before transmission, which may reduce the number of errors. Note that the higher the redundancy count, the longer it will take to decode the bar code. To adjust the redundancy, scan the **Interleaved 2 of 5 Redundancy** bar code below, then scan a redundancy count between 0 and 10 on the [Programming Chart](#) inside the back cover of this manual, then scanning **Save**. *Default = 0.*



I25VOT.
Interleaved 2 of 5 Redundancy

Interleaved 2 of 5 Message Length

Scan the bar codes below to change the message length. Refer to [Message Length Description](#) (page 9-1) for additional information. Minimum and Maximum lengths = 1-80. Minimum Default = 6, Maximum Default = 80.



I25MIN.
Minimum Message Length



I25MAX.
Maximum Message Length

NEC 2 of 5



N25DFT.
Default All NEC 2 of 5 Settings

NEC 2 of 5 On/Off



N25ENA1.
On



N25ENA0.
* Off

Check Digit

No Check Digit indicates that the scanner reads and transmits bar code data with or without a check digit.

When Check Digit is set to **Validate, but Don't Transmit**, the unit only reads NEC 2 of 5 bar codes printed with a check digit, but will not transmit the check digit with the scanned data.

When Check Digit is set to **Validate and Transmit**, the scanner only reads NEC 2 of 5 bar codes printed with a check digit, and will transmit this digit at the end of the scanned data. *Default = No Check Digit.*



N25CK20.
* No Check Digit



N25CK21.
Validate, but Don't Transmit



N25CK22.
Validate and Transmit

NEC 2 of 5 Redundancy

If you are encountering errors when reading NEC 2 of 5 bar codes, you may want to adjust the redundancy count. Redundancy adjusts the number of times a bar code is decoded before transmission, which may reduce the number of errors.

Note that the higher the redundancy count, the longer it will take to decode the bar code. To adjust the redundancy, scan the **NEC 2 of 5 Redundancy** bar code below, then scan a redundancy count between 0 and 10 on the [Programming Chart](#)

inside the back cover of this manual. Then scan the **Save** bar code. *Default = 0.*



N25VOT.
NEC 2 of 5 Redundancy

NEC 2 of 5 Message Length

Scan the bar codes below to change the message length. Refer to [Message Length Description](#) (page 9-1) for additional information. Minimum and Maximum lengths = 1-80. Minimum Default = 6, Maximum Default = 80.



N25MIN.
Minimum Message Length



N25MAX.
Maximum Message Length

Code 93



C93DFT.
Default All Code 93 Settings

Code 93 On/Off



C93ENA1.
On



C93ENAD.
*** Off**

Code 93 Redundancy

If you are encountering errors when reading Code 93 bar codes, you may want to adjust the redundancy count. Redundancy adjusts the number of times a bar code is decoded before transmission, which may reduce the number of errors. Note that the higher the redundancy count, the longer it will take to decode the bar code. To adjust the redundancy, scan the **Code 93 Redundancy** bar code below, then scan a redundancy count between 0 and 10 on the [Programming Chart](#)

inside the back cover of this manual. Then scan the **Save** bar code. *Default = 0.*



C93VOT.

Code 93 Redundancy

Code 93 Message Length

Scan the bar codes below to change the message length. Refer to [Message Length Description](#) (page 9-1) for additional information. Minimum and Maximum lengths = 1-80. Minimum Default = 3, Maximum Default = 80.



C93MIN.

Minimum Message Length



C93MAX.

Maximum Message Length

Code 93 Code Page

Code pages define the mapping of character codes to characters. If the data received does not display with the proper characters, it may be because the bar code being scanned was created using a code page that is different from the one the host program is expecting. If this is the case, scan the bar code below, select the code page with which the bar codes were created (see [ISO 2022/ISO 646 Character Replacements](#) on page A-7), and scan the value and the **Save** bar code from the [Programming Chart](#) on the inside the back cover of this manual. The data characters should then appear properly.



C93DCP.

Code 93 Code Page

Straight 2 of 5 Industrial (three-bar start/stop)



R25DFT.

Default All Straight 2 of 5 Industrial Settings

Straight 2 of 5 Industrial On/Off



R25ENA1.

On

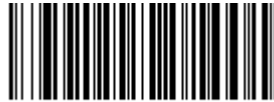


R25ENA0.

* Off

Straight 2 of 5 Industrial Redundancy

If you are encountering errors when reading Straight 2 of 5 Industrial bar codes, you may want to adjust the redundancy count. Redundancy adjusts the number of times a bar code is decoded before transmission, which may reduce the number of errors. Note that the higher the redundancy count, the longer it will take to decode the bar code. To adjust the redundancy, scan the **Straight 2 of 5 Industrial Redundancy** bar code below, then scan a redundancy count between 0 and 10 on the [Programming Chart](#) inside the back cover of this manual. Then scan the **Save** bar code. *Default = 0.*



R25VOT.

Straight 2 of 5 Industrial
Redundancy

Straight 2 of 5 Industrial Message Length

Scan the bar codes below to change the message length. Refer to [Message Length Description](#) (page 9-1) for additional information. Minimum and Maximum lengths = 1-80. Minimum Default = 6, Maximum Default = 80.



R25MIN.

Minimum Message Length



R25MAX.

Maximum Message Length

Straight 2 of 5 IATA (two-bar start/stop)



A25DFT.

Default All Straight 2 of 5 IATA Settings

Straight 2 of 5 IATA On/Off



A25ENA1.

On



A25ENA0.

* Off

Straight 2 of 5 IATA Redundancy

If you are encountering errors when reading Straight 2 of 5 IATA bar codes, you may want to adjust the redundancy count. Redundancy adjusts the number of times a bar code is decoded before transmission, which may reduce the number of errors. Note that the higher the redundancy count, the longer it will take to decode the bar code. To adjust the redundancy, scan the **Straight 2 of 5 IATA Redundancy** bar code below, then scan a redundancy count between 0 and 10 on the [Programming Chart](#) inside the back cover of this manual. Then scan the **Save** bar code. *Default = 0.*



A25VOT.

Straight 2 of 5 IATA
Redundancy

Straight 2 of 5 IATA Message Length

Scan the bar codes below to change the message length. Refer to [Message Length Description](#) (page 9-1) for additional information. Minimum and Maximum lengths = 1-80. Minimum Default = 6, Maximum Default = 15.



A25MIN.

Minimum Message Length



A25MAX.

Maximum Message Length

Matrix 2 of 5



X25DFT.

Default All Matrix 2 of 5 Settings

Matrix 2 of 5 On/Off



X25ENA1.

On



X25ENA0.

* Off

Check Digit

No Check Digit indicates that the scanner reads and transmits bar code data with or without a check digit.

When Check Digit is set to **Validate, but Don't Transmit**, the unit only reads Matrix 2 of 5 bar codes printed with a check digit, but will not transmit the check digit with the scanned data.

When Check Digit is set to **Validate and Transmit**, the scanner only reads Matrix 2 of 5 bar codes printed with a check digit, and will transmit this digit at the end of the scanned data. *Default = No Check Digit.*



X25CK20.

* No Check Digit



X25CK21.

Validate, but Don't Transmit



X25CK22.

Validate and Transmit

Matrix 2 of 5 Redundancy

If you are encountering errors when reading Matrix 2 of 5 bar codes, you may want to adjust the redundancy count. Redundancy adjusts the number of times a bar code is decoded before transmission, which may reduce the number of errors. Note that the higher the redundancy count, the longer it will take to decode the bar code. To adjust the redundancy, scan the **Matrix 2 of 5 Redundancy** bar code below, then scan a redundancy count between 0 and 10 on the [Programming](#)

[Chart](#) inside the back cover of this manual, then scanning [Save](#). *Default = 0.*



X25VOT.

Matrix 2 of 5 Redundancy

Matrix 2 of 5 Message Length

Scan the bar codes below to change the message length. Refer to [Message Length Description](#) (page 9-1) for additional information. Minimum and Maximum lengths = 1-80. Minimum Default = 6, Maximum Default = 80.



X25MIN.

Minimum Message Length



X25MAX.

Maximum Message Length

Code 11



C11DFT.
Default All Code 11 Settings

Code 11 On/Off



C11ENA1.
On



C11ENA0.
* Off

Check Digits Required

These options set whether 1 or 2 check digits are required with Code 11 bar codes. The check digit data is only transmitted if you program that feature (see [Check Digit Validation](#) on page 9-17). *Default = Two Check Digits Required.*



C11CK20.
One Check Digit Required



C11CK21.
* Two Check Digits Required

Check Digit Validation

When Check Character is set to **Validate and Transmit**, the scanner will only read Code 11 bar codes printed with the specified type check character(s), and will transmit the character(s) at the end of the scanned data.



C11CK23.
Validate and Transmit One
Check Digit



C11CK24.
Validate and Transmit Two
Check Digits

Code 11 Redundancy

If you are encountering errors when reading Code 11 bar codes, you may want to adjust the redundancy count. Redundancy adjusts the number of times a bar code is decoded before transmission, which may reduce the number of errors. Note that the higher the redundancy count, the longer it will take to decode the bar code. To adjust the redundancy, scan the **Code 11 Redundancy** bar code below, then scan a redundancy count between 0 and 10 on the [Programming Chart](#) inside the back cover of this manual. Then scan the **Save** bar code. *Default = 0.*



C11VOT.

Code 11 Redundancy

Code 11 Message Length

Scan the bar codes below to change the message length. Refer to [Message Length Description](#) (page 9-1) for additional information. Minimum and Maximum lengths = 1-80. Minimum Default = 3, Maximum Default = 80.



C11MIN.

Minimum Message Length



C11MAX.

Maximum Message Length

Code 128



128DFT.
Default All Code 128 Settings

Code 128 On/Off



128ENA1.
* On



128ENA0.
Off

128 Group Separator Output

When **Off** is selected, group separator characters (FNC 1 characters embedded in the bar code) are not output. If you wish to transmit the FNC1 characters as group separators “GS” (0x1D hex) with your Code 128 bar code output, scan the **On** bar code. *Default =Off.*

*Note: FNC1 characters at the beginning of 128 codes are never transmitted. Group separator characters that have been explicitly embedded in the bar code are still transmitted when this feature is **Off**. To remove these embedded characters, refer to [Data Formatting](#) beginning on page 8-1.*



128GSE1.
On



128GSE0.
* Off

Code 128 Redundancy

If you are encountering errors when reading Code 128 bar codes, you may want to adjust the redundancy count. Redundancy adjusts the number of times a bar code is decoded before transmission, which may reduce the number of errors. Note that the higher the redundancy count, the longer it will take to decode the bar code. To adjust the redundancy, scan the **Code 128 Redundancy** bar code below, then scan a redundancy count between 0 and 10 on the [Programming Chart](#) inside the back cover of this manual. Then scan the **Save** bar code. *Default = 0.*



128VOT.
Code 128 Redundancy

Code 128 Message Length

Scan the bar codes below to change the message length. Refer to [Message Length Description](#) (page 9-1) for additional information. Minimum and Maximum lengths = 0-80. Minimum Default = 3, Maximum Default = 80.



128MIN.

Minimum Message Length



128MAX.

Maximum Message Length

Code 128 Code Page

Code pages define the mapping of character codes to characters. If the data received does not display with the proper characters, it may be because the bar code being scanned was created using a code page that is different from the one the host program is expecting. If this is the case, scan the bar code below, select the code page with which the bar codes were created (see [ISO 2022/ISO 646 Character Replacements](#) on page A-7), and scan the value and the **Save** bar code from the [Programming Chart](#) on the inside the back cover of this manual. The data characters should then appear properly.



128DCP.

Code 128 Code Page

ISBT 128

ISBT is a variation of Code 128 that supports concatenation of neighboring symbols on a blood product label. Use the bar codes below to turn ISBT 128 concatenation on or off. *Default =Off.*



ISBENA1.

On



ISBENA0.

* Off

Concatenation Timeout

When searching for bar codes during concatenation, you may wish to set a delay used to find the next bar code. Set the length (in milliseconds) for this delay by scanning the bar code below, then setting the timeout (from 1-65535 milliseconds) by scanning digits from the [Programming Chart](#), then scanning **Save**. *Default = 500.*



ISBT 128 Predefined Concatenation Sequences

Note: You must enable Code 128 and ISBT 128 to use this feature.

The following bar codes are used to select the pre-defined ISBT 128 Concatenation Sequence you wish to use. Once you have selected the concatenation sequence, use [ISBT 128 Predefined Concatenation Sequences On/Off](#) to enable this feature. *Default = Donation ID Number (001) and ABO/RhD Blood Groups (002).*



* Donation ID Number (001)
and ABO/RhD Blood Groups (002)



Donation ID Number (001) and
Donor ID Number (019)



Donation ID Number (001) and
Confidential Unit Exclusion
Status



Product Code (003) and
Expiration Date (Form 1)



Product Code (003) and
Expiration Date (Form 2)



ISBPCS5.
Product Code (003) and
Expiration Date (Form 3)



ISBPCS6.
Product Code (003) and
Expiration Date (Form 4)

ISBT 128 Predefined Concatenation Sequences On/Off

The following selections allow you to enable or require the Predefined ISBT 128 Concatenation Sequences.

If you scan **Off**, the predefined concatenation sequences are disabled.

If you scan the **Allow Predefined Sequence** code, then the scanner will output only the data combination specified in the predefined concatenation sequence you selected.

If you scan the **Require Predefined Sequence** code, the data combination specified in the predefined concatenation sequence you selected is required to transmit the data. No data is output unless the sequence is read.

Default = Off.



ISBPCE0.
* Off



ISBPCE1.
Allow Predefined Sequence



ISBPCE2.
Require Predefined Sequence

ISBT 128 User-Defined Concatenation Sequences

Note: You must enable Code 128 and ISBT 128 to use this feature.

The following bar codes are used to create a custom ISBT 128 Concatenation Sequence. Select the identifiers you want to transmit in the 1st and 2nd positions, both left and right. Refer to the ISBT 128 Standard Technical Specification for the list of data identifiers.

Use the [ASCII Conversion Chart \(Code Page 1252\)](#), beginning on page A-3, to find the characters needed for the identifier. Locate the hex value for each character and scan that 2 digit/character value from the [Programming Chart](#) inside the back cover of this manual.

Example: You want to create a concatenation sequence that has the Donation Identification Number (001) as the left identifier, and Product Code (003) as the right identifier.

The ISBT Index of Data Structures shows that for the Donation Identification Number, the first character is “=” and the second character can be from A-N; P-Z; 1-9. For this example, use “G.” The Product Code first character is “=” and the second character is “<.”

- Step 1.** Scan the **1st Left Identifier** bar code, below.
- Step 2.** Use the [Programming Chart](#) to scan **3, D** (hex for “=”).
- Step 3.** Scan **Save**.
- Step 4.** Scan the **2nd Left Identifier** bar code, below.
- Step 5.** Use the [Programming Chart](#) to scan **4, 7** (hex for “G”).
- Step 6.** Scan **Save**.
- Step 7.** Scan the **1st Right Identifier** bar code, below.
- Step 8.** Use the [Programming Chart](#) to scan **3, D** (hex for “=”).
- Step 9.** Scan **Save**.
- Step 10.** Scan the **2nd Right Identifier** bar code, below.
- Step 11.** Use the [Programming Chart](#) to scan **3, C** (hex for “<”).
- Step 12.** Scan **Save**.

Once you have programmed the concatenation sequence, use [ISBT 128 User-Defined Concatenation Sequences](#) to enable this feature. *Default = 0.*



ISBUL1.
1st Left Identifier



ISBUL2.
2nd Left Identifier



ISBUR1.
1st Right Identifier



ISBUR2.
2nd Right Identifier

ISBT 128 User-Defined Concatenation Sequences On/Off

The following selections allow you to enable or require the User-Defined ISBT 128 Concatenation Sequences.

If you scan **Off**, the User-Defined concatenation sequences are disabled.

If you scan the **Allow User-Defined Sequence** code, then the scanner will output only the data combination specified in the User-Defined concatenation sequence you created.

If you scan the **Require User-Defined Sequence** code, the data combination specified in the User-Defined concatenation sequence is required to transmit the data. No data is output unless the sequence is read.

Default = Off.



Content Verification

When the **On** bar code is scanned, the check character values are output along with the bar code data, thus allowing you to verify that the check character is in agreement with that calculated for the data stream. *Default = Off.*



Transmit Identifiers

You may disable the transmission of the ISBT Code 128 data identifiers by scanning **Off**. When this selection is **Off**, the first 2 data (ID) characters are removed from the data stream unless the ISBT code contains the Donation Identification Number identifiers. If the code contains the Donation Identification Number identifiers, only the first ID character is removed from the Donation Identification Number. The second character is transmitted as normal data. *Default = On.*





ISBXM10.

Off

Flag Digit Conversion

Type 3 flag digits are a part of the Donation Identification Number in an ISBT 128 bar code. If you select **On**, the flag data is converted into a single MOD (37, 2) character and transmitted with the bar code data. Scan **Off** if you do not want the flag digits transmitted. *Default = Off.*



ISBXM21.

On



ISBXM20.

*** Off**

GS1-128



GS1DFT.
Default All GS1-128 Settings

GS1-128 On/Off



GS1ENA1.
On



GS1ENA0.
* Off

GS1-128 Application Identifier Parsing

This allows a single GS1-128 bar code to be broken into multiple transmissions based on the presence of application identifiers (AI) embedded in the bar code. To use this feature, first enable [128 Group Separator Output](#) (page 9-19). Next, scan **Transmit Without Identifiers** if you want the bar code broken into packets and stripped of the AI. If you want the AI included, scan **Transmit With Identifiers**. *Default = Off.*



GS1EMU0.
* Off



GS1EMU1.
Transmit Without Identifiers



GS1EMU2.
Transmit With Identifiers

GS1-128 Redundancy

If you are encountering errors when reading GS1-128 bar codes, you may want to adjust the redundancy count. Redundancy adjusts the number of times a bar code is decoded before transmission, which may reduce the number of errors. Note that the higher the redundancy count, the longer it will take to decode the bar code. To adjust the redundancy, scan the **GS1-128 Redundancy** bar code below, then scan a redundancy count between 0 and 10 on the [Programming Chart](#)

inside the back cover of this manual. Then scan the **Save** bar code. *Default = 0.*



GS1VOT.
GS1-128 Redundancy

GS1-128 Message Length

Scan the bar codes below to change the message length. Refer to [Message Length Description](#) (page 9-1) for additional information. Minimum and Maximum lengths = 1-80. Minimum Default = 3, Maximum Default = 80.



GS1MIN.
Minimum Message Length



GS1MAX.
Maximum Message Length

Telepen



TELDFT.

Default All Telepen Settings

Telepen On/Off



TELENA1.

On



TELENA0.

* Off

Telepen Output

Using AIM Telepen Output, the scanner reads symbols with start/stop pattern 1 and decodes them as standard full ASCII (start/stop pattern 1). When Original Telepen Output is selected, the scanner reads symbols with start/stop pattern 1 and decodes them as compressed numeric with optional full ASCII (start/stop pattern 2). *Default = AIM Telepen Output.*



TELOLD0.

* AIM Telepen Output



TELOLD1.

Original Telepen Output

Telepen Redundancy

If you are encountering errors when reading Telepen bar codes, you may want to adjust the redundancy count. Redundancy adjusts the number of times a bar code is decoded before transmission, which may reduce the number of errors. Note that the higher the redundancy count, the longer it will take to decode the bar code. To adjust the redundancy, scan the **Telepen Redundancy** bar code below, then scan a redundancy count between 0 and 10 on the [Programming Chart](#) inside the back cover of this manual. Then scan the **Save** bar code. *Default = 0.*



TELVOT.

Telepen Redundancy

Telepen Message Length

Scan the bar codes below to change the message length. Refer to [Message Length Description](#) (page 9-1) for additional information. Minimum and Maximum lengths = 1-80. Minimum Default = 3, Maximum Default = 80.



TELMIN.

Minimum Message Length



TELMAX.

Maximum Message Length

UPC-A



UPADFT.

Default All UPC-A Settings

UPC-A On/Off



UPBENA1.

* On



UPBENA0.

Off

Note: To convert UPC-A bar codes to EAN-13, see [Convert UPC-A to EAN-13](#) on page 9-41

UPC-A Check Digit

This selection allows you to specify whether the check digit should be transmitted at the end of the scanned data or not.
Default = On.



UPACKX1.

* On



UPACKXD.

Off

UPC-A Number System

The numeric system digit of a U.P.C. symbol is normally transmitted at the beginning of the scanned data, but the unit can be programmed so it will not transmit it. *Default = On.*



UPANSX1.

* On



UPANSXD.

Off

UPC-A Addenda

This selection adds 2 or 5 digits to the end of all scanned UPC-A data.

Default = Off for both 2 Digit and 5 Digit Addenda.



UPAAD21.

2 Digit Addenda On



UPAAD20.

* 2 Digit Addenda Off



UPAAD51.

5 Digit Addenda On



UPAAD50.

* 5 Digit Addenda Off

UPC-A Addenda Required

When **Required** is scanned, the scanner will only read UPC-A bar codes that have addenda. You must then turn on a 2 or 5 digit addenda listed on [page 9-30](#). *Default = Not Required.*



UPAARQ1.
Required



UPAARQ0.
*** Not Required**

UPC-A Addenda Separator

When this feature is on, there is a space between the data from the bar code and the data from the addenda. When turned off, there is no space.

Default = Off.



UPAADS1.
On



UPAADS0.
*** Off**

UPC-A Redundancy

If you are encountering errors when reading UPC-A bar codes, you may want to adjust the redundancy count. Redundancy adjusts the number of times a bar code is decoded before transmission, which may reduce the number of errors. Note that the higher the redundancy count, the longer it will take to decode the bar code. To adjust the redundancy, scan the **UPC-A Redundancy** bar code below, then scan a redundancy count between 0 and 10 on the [Programming Chart](#) inside the back cover of this manual. Then scan the **Save** bar code. *Default = 0.*



UPAVOT.
UPC-A Redundancy

UPC-A/EAN Addenda Redundancy

This programs the number of redundant scans required of a 2 or 5-digit addendum before it is attached to the UPC or EAN bar code and submitted. To adjust the redundancy, scan the **Redundancy** bar code below for the 2 or 5-digit addenda you want to adjust, then scan a redundancy count between 0 and 10 on the [Programming Chart](#) inside the back cover of this

manual. Then scan the **Save** bar code. *Default = 2 for 2-Digit Addenda, 1 for 5-Digit Addenda.*



UPC-A/EAN-13 with Extended Coupon Code

Use the following codes to enable or disable UPC-A **and** EAN-13 with Extended Coupon Code. When left on the default setting (**Off**), the scanner treats Coupon Codes and Extended Coupon Codes as single bar codes.

If you scan the **Allow Concatenation** code, when the scanner sees the coupon code and the extended coupon code in a single scan, it transmits both as separate symbologies. Otherwise, it transmits the first coupon code it reads.

If you scan the **Require Concatenation** code, the scanner must see and read the coupon code and extended coupon code in a single read to transmit the data. No data is output unless both codes are read.

Default = Off.



UPC-A Number System 4 Addenda Required

This setting programs the scanner to require a coupon code only on UPC-A bar codes that begin with a “4.” The following settings can be programmed:

Require Coupon Code: All UPC-A bar codes that begin with a “4” must have a coupon code. The UPC-A bar code with the coupon code is then transmitted as a single, concatenated bar code. If a coupon code is not found within the [Addenda Timeout](#) period, the UPC-A bar code is discarded.

Don't Require Coupon Code: If you have selected **Require Coupon Code**, and you want to disable this feature, scan **Don't Require Coupon Code**. UPC-A bar codes are transmitted, depending on the setting you are using for [UPC-A/EAN-13 with Extended Coupon Code](#).

Default = Don't Require Coupon Code.



* Don't Require Coupon Code



Require Coupon Code

UPC-A Number System 5 Addenda Required

This setting programs the scanner to require any combination of a coupon code, a 2 digit addenda, or a 5 digit addenda on UPC-A bar codes that begin with a "5." The following settings can be programmed:

Require Coupon Code/Addenda: All UPC-A bar codes that begin with a "5" must have a coupon code, a 2 digit addenda, a 5 digit addenda, or a combination of these addenda. The UPC-A bar code with the coupon code and/or addenda is then transmitted as a single, concatenated bar code. If a coupon code and/or required addenda is not found within the [Addenda Timeout](#) period, the UPC-A bar code is discarded.

Don't Require Coupon Code/Addenda: If you have selected **Require Coupon Code/Addenda**, and you want to disable this feature, scan **Don't Require Coupon Code/Addenda**. UPC-A bar codes are transmitted, depending on the setting you are using for [UPC-A/EAN-13 with Extended Coupon Code](#).

Default = Don't Require Coupon Code/Addenda.



* Don't Require Coupon Code/
Addenda



Require 2 Digit Addenda



Require 5 Digit Addenda



Require 2 or 5 Digit Addenda



ARQSY54.

Require Coupon Code



ARQSY55.

Require Coupon Code or 2 Digit Addenda



ARQSY56.

Require Coupon Code or 5 Digit Addenda



ARQSY57.

Require Coupon Code, 2 Digit Addenda, or 5 Digit Addenda

Addenda Timeout

You can set a time during which the scanner looks for an addenda. If an addenda is not found within this time period, the data can be either transmitted or discarded, based on the setting you are using for [UPC-A Number System 4 Addenda Required](#) or [UPC-A Number System 5 Addenda Required](#). Set the length (in milliseconds) for this timeout by scanning the bar code below, then setting the timeout (from 0-65535 milliseconds) by scanning digits from the [Programming Chart](#), then scanning [Save](#). *Default = 100.*

Note: The Addenda Timeout setting is applied to all addenda and coupon code searches.



DLYADD.

Addenda Timeout

Coupon GS1 DataBar Output

If you scan coupons that have both UPC and GS1 DataBar codes, you may wish to scan and output only the data from the GS1 DataBar code. Scan the **GS1 Output On** code below to scan and output only the GS1 DataBar code data. *Default = GS1 Output Off.*



CPNGS10.

* GS1 Output Off



CPNGS11.
GS1 Output On

In-Store Printed Bar Codes

In-store UPC and EAN bar codes are sometimes haphazardly printed, resulting in poor quality codes. The decoding of in-store bar codes may need some adjustment to improve read rates. The following settings allow you to make fine adjustments to the way the decoder interprets the bar code data from in-store printed UPC and EAN bar codes.

Stitching

Stitching controls the decoding security for in-store UPC and EAN bar codes. If you are having difficulty reading poor quality in-store bar codes, you may wish to scan the **Stitching Off** bar code below to improve the read rate. *Default = Stitching On.*



EANDNS1.
* **Stitching On**



EANDNS0.
Stitching Off

Framing

Framing controls the framing rules for in-store UPC and EAN bar codes. If you are having difficulty reading poor quality in-store bar codes, you may wish to scan the **Framing Off** bar code below to improve the read rate. *Default = Framing Off.*



EANFRM1.
Framing On



EANFRM0.
* **Framing Off**

Redundancy

Redundancy adjusts the number of times a bar code is decoded before transmission, which may reduce the number of errors. Note that the higher the redundancy count, the longer it will take to decode the bar code. If you are having difficulty reading poor quality in-store bar codes, you may wish to scan a higher **Redundancy** bar code below to improve the read rate. *Default = Redundancy Off.*



EANISR0.
* Redundancy Off



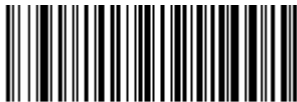
EANISR1.
1X Redundancy



EANISR2.
2X Redundancy



EANISR3.
3X Redundancy



EANISR4.
4X Redundancy

UPC/EAN Security

This feature allows you to increase the security when reading UPC and EAN bar codes. For lesser quality bar codes, you may wish to increase the security settings to improve the read rate. *Default = Medium.*



EANSEC0.
Minimum



EANSEC1.
Low



EANSEC2.
Medium Low



EANSEC3.
* Medium



EANSEC4.
Medium High



EANSEC5.
High

UPC-E0



UPEDFT.
Default All UPC-E Settings

UPC-E0 On/Off

Most U.P.C. bar codes lead with the 0 number system. To read these codes, use the **UPC-E0 On** selection. *Default = On.*



UPEEN01.
* UPC-E0 On



UPEEN00.
UPC-E0 Off

UPC-E0 Expand

UPC-E Expand expands the UPC-E code to the 12 digit, UPC-A format. *Default = Off.*



UPEEXP1.
On

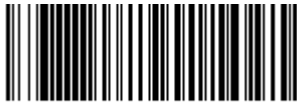


UPEEXP0.

* Off

UPC-E0 Addenda Required

When **Required** is scanned, the scanner will only read UPC-E bar codes that have addenda. *Default = Not Required.*



UPEARQ1.

Required



UPEARQ0.

* **Not Required**

UPC-E0 Addenda Separator

When this feature is **On**, there is a space between the data from the bar code and the data from the addenda. When turned **Off**, there is no space.

Default = On.



UPEADS1.

* **On**



UPEADS0.

Off

UPC-E0 Check Digit

Check Digit specifies whether the check digit should be transmitted at the end of the scanned data or not. *Default = Off.*



UPECKX1.

On



UPECKX0.

* **Off**

UPC-E0 Number System

The numeric system digit of a U.P.C. symbol is normally transmitted at the beginning of the scanned data, but the unit can be programmed so it will not transmit it. To prevent transmission, scan **Off**. *Default = Off*.



UPENSX1.
On



UPENSX0.
* Off

UPC-E0 Addenda

This selection adds 2 or 5 digits to the end of all scanned UPC-E data. *Default = Off for both 2 Digit and 5 Digit Addenda.*



UPEAD21.
2 Digit Addenda On



UPEAD20.
* 2 Digit Addenda Off



UPEAD51.
5 Digit Addenda On



UPEAD50.
* 5 Digit Addenda Off

UPC-E0 Redundancy

If you are encountering errors when reading UPC-E0 bar codes, you may want to adjust the redundancy count. Redundancy adjusts the number of times a bar code is decoded before transmission, which may reduce the number of errors. Note that the higher the redundancy count, the longer it will take to decode the bar code. To adjust the redundancy, scan the **UPC-E0 Redundancy** bar code below, then scan a redundancy count between 0 and 10 on the [Programming Chart](#)

inside the back cover of this manual. Then scan the **Save** bar code. *Default = 1.*

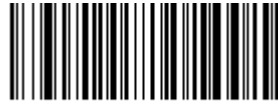


UPC/EAN Addenda Redundancy

This programs the number of redundant scans required of a 2 or 5-digit addendum before it is attached to the UPC or EAN bar code and submitted. To adjust the redundancy, scan the **Redundancy** bar code below for the 2 or 5-digit addenda you want to adjust, then scan a redundancy count between 0 and 10 on the [Programming Chart](#) inside the back cover of this manual. Then scan the **Save** bar code. *Default = 2 for 2-Digit Addenda, 1 for 5-Digit Addenda.*



EAN/JAN-13



E13DFT.
Default All EAN/JAN Settings

EAN/JAN-13 On/Off



E13ENA1.
* On



E13ENA0.
Off

Convert UPC-A to EAN-13

When **UPC-A Converted to EAN-13** is selected, UPC-A bar codes are converted to EAN-13. When **Do not Convert UPC-A** is selected, UPC-A codes are read as UPC-A.



UPAENA0.
UPC-A Converted to EAN-13



UPAENA1.
* Do not Convert UPC-A

EAN/JAN-13 Check Digit

This selection allows you to specify whether the check digit should be transmitted at the end of the scanned data or not.
Default = On.



E13CKX1.
* On



E13CKX0.
Off

EAN/JAN-13 Addenda

This selection adds 2 or 5 digits to the end of all scanned EAN/JAN-13 data. *Default = Off for both 2 Digit and 5 Digit Addenda.*



E13AD21.
2 Digit Addenda On



E13AD20.
* 2 Digit Addenda Off



E13AD51.
5 Digit Addenda On



E13AD50.
* 5 Digit Addenda Off

EAN/JAN-13 Addenda Required

When **Required** is scanned, the scanner will only read EAN/JAN-13 bar codes that have addenda. *Default = Not Required.*



E13ARQ1.
Required



E13ARQ0.
* Not Required

EAN-13 Beginning with 2 Addenda Required

This setting programs the scanner to require a 2 digit addenda only on EAN-13 bar codes that begin with a "2." The following settings can be programmed:

Require 2 Digit Addenda: All EAN-13 bar codes that begin with a "2" must have a 2 digit addendum. The EAN-13 bar code with the 2 digit addendum is then transmitted as a single, concatenated bar code. If a 2 digit addendum is not found within the [Addenda Timeout](#) period, the EAN-13 bar code is discarded.

Note: if you are using [EAN-13 Beginning with 290 Addenda Required](#) (page 9-43), that setting will take precedence over this one.

Don't Require 2 Digit Addenda: If you have selected **Require 2 Digit Addenda**, and you want to disable this feature, scan **Don't Require 2 Digit Addenda**. EAN-13 bar codes are transmitted, depending on the setting you are using for [EAN/JAN-13 Addenda Required](#).

Default = Don't Require 2 Digit Addenda.



ARQSY20.

* Don't Require 2 Digit Addenda



ARQSY21.

Require 2 Digit Addenda

EAN-13 Beginning with 290 Addenda Required

This setting programs the scanner to require a 5 digit addenda only on EAN-13 bar codes that begin with "290." The following settings can be programmed:

Require 5 Digit Addenda: All EAN-13 bar codes that begin with "290" must have a 5 digit addendum. The EAN-13 bar code with the 5 digit addendum is then transmitted as a single, concatenated bar code. If a 5 digit addendum is not found within the [Addenda Timeout](#) period, the EAN-13 bar code is discarded.

Note: if you are using [EAN-13 Beginning with 2 Addenda Required](#) (page 9-42), this setting will take precedence.

Don't Require 5 Digit Addenda: If you have selected **Require 5 Digit Addenda**, and you want to disable this feature, scan **Don't Require 5 Digit Addenda**. EAN-13 bar codes are transmitted, depending on the setting you are using for [EAN/JAN-13 Addenda Required](#).

Default = Don't Require 5 Digit Addenda.



ARQ2900.

* Don't Require 5 Digit Addenda



ARQ2901.

Require 5 Digit Addenda

EAN-13 Beginning with 378/379 Addenda Required

This setting programs the scanner to require any combination of a 2 digit addenda or a 5 digit addenda on EAN-13 bar codes that begin with a "378" or "379." The following settings can be programmed:

Require Addenda: All EAN-13 bar codes that begin with a "378" or "379" must have a 2 digit addenda, a 5 digit addenda, or a combination of these addenda. The EAN-13 bar code with the addenda is then transmitted as a single, concatenated bar code. If the required addenda is not found within the [Addenda Timeout](#) period, the EAN-13 bar code is discarded.

Don't Require Addenda: If you have selected **Require Addenda**, and you want to disable this feature, scan **Don't Require Addenda**. EAN-13 bar codes are transmitted, depending on the setting you are using for [EAN/JAN-13 Addenda Required](#).

Default = Don't Require Addenda.



ARQ3780.

* Don't Require Addenda



ARQ3782.

Require 5 Digit Addenda



ARQ3781.

Require 2 Digit Addenda



ARQ3783.

Require 2 or 5 Digit Addenda

EAN-13 Beginning with 414/419 Addenda Required

This setting programs the scanner to require any combination of a 2 digit addenda or a 5 digit addenda on EAN-13 bar codes that begin with a "414" or "419." The following settings can be programmed:

Require Addenda: All EAN-13 bar codes that begin with a "414" or "419" must have a 2 digit addenda, a 5 digit addenda, or a combination of these addenda. The EAN-13 bar code with the addenda is then transmitted as a single, concatenated bar code. If the required addenda is not found within the [Addenda Timeout](#) period, the EAN-13 bar code is discarded.

Don't Require Addenda: If you have selected **Require Addenda**, and you want to disable this feature, scan **Don't Require Addenda**. EAN-13 bar codes are transmitted, depending on the setting you are using for [EAN/JAN-13 Addenda Required](#).

Default = Don't Require Addenda.



ARQ4140.

* Don't Require Addenda



ARQ4142.

Require 5 Digit Addenda



ARQ4141.

Require 2 Digit Addenda



ARQ4143.

Require 2 or 5 Digit Addenda

EAN-13 Beginning with 434/439 Addenda Required

This setting programs the scanner to require any combination of a 2 digit addenda or a 5 digit addenda on EAN-13 bar codes that begin with a “434” or “439.” The following settings can be programmed:

Require Addenda: All EAN-13 bar codes that begin with a “434” or “439” must have a 2 digit addenda, a 5 digit addenda, or a combination of these addenda. The EAN-13 bar code with the addenda is then transmitted as a single, concatenated bar code. If the required addenda is not found within the [Addenda Timeout](#) period, the EAN-13 bar code is discarded.

Don’t Require Addenda: If you have selected **Require Addenda**, and you want to disable this feature, scan **Don’t Require Addenda**. EAN-13 bar codes are transmitted, depending on the setting you are using for [EAN/JAN-13 Addenda Required](#).

Default = Don’t Require Addenda.



ARQ4340.

*** Don’t Require Addenda**



ARQ4341.

Require 2 Digit Addenda



ARQ4342.

Require 5 Digit Addenda



ARQ4343.

Require 2 or 5 Digit Addenda

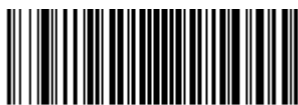
EAN-13 Beginning with 977 Addenda Required

This setting programs the scanner to require a 2 digit addenda only on EAN-13 bar codes that begin with “977.” The following settings can be programmed:

Require 2 Digit Addenda: All EAN-13 bar codes that begin with “977” must have a 2 digit addendum. The EAN-13 bar code with the 2 digit addendum is then transmitted as a single, concatenated bar code. If a 2 digit addendum is not found within the [Addenda Timeout](#) period, the EAN-13 bar code is discarded.

Don’t Require 2 Digit Addenda: If you have selected **Require 2 Digit Addenda**, and you want to disable this feature, scan **Don’t Require 2 Digit Addenda**. EAN-13 bar codes are transmitted, depending on the setting you are using for [EAN/JAN-13 Addenda Required](#).

Default = Don't Require 2 Digit Addenda.



ARQ9770.

* Don't Require 2 Digit Addenda



ARQ9771.

Require 2 Digit Addenda

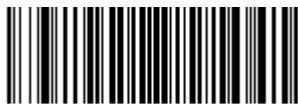
EAN-13 Beginning with 978 Addenda Required

These settings program the scanner to require a 5 digit addenda only on EAN-13 bar codes that begin with "978." The following settings can be programmed:

Require 5 Digit Addenda: All EAN-13 bar codes that begin with "978" must have a 5 digit addendum. The EAN-13 bar code with the 5 digit addendum is then transmitted as a single, concatenated bar code. If a 5 digit addendum is not found within the [Addenda Timeout](#) period, the EAN-13 bar code is discarded.

Don't Require 5 Digit Addenda: If you have selected **Require 5 Digit Addenda**, and you want to disable this feature, scan **Don't Require 5 Digit Addenda**. EAN-13 bar codes are transmitted, depending on the setting you are using for [EAN/JAN-13 Addenda Required](#).

Default = Don't Require 5 Digit Addenda.



ARQ9780.

* Don't Require 5 Digit Addenda



ARQ9781.

Require 5 Digit Addenda

EAN-13 Beginning with 979 Addenda Required

These settings program the scanner to require a 5 digit addenda only on EAN-13 bar codes that begin with "979." The following settings can be programmed:

Require 5 Digit Addenda: All EAN-13 bar codes that begin with "979" must have a 5 digit addendum. The EAN-13 bar code with the 5 digit addendum is then transmitted as a single, concatenated bar code. If a 5 digit addendum is not found within the [Addenda Timeout](#) period, the EAN-13 bar code is discarded.

Don't Require 5 Digit Addenda: If you have selected **Require 5 Digit Addenda**, and you want to disable this feature, scan **Don't Require 5 Digit Addenda**. EAN-13 bar codes are transmitted, depending on the setting you are using for [EAN/JAN-13 Addenda Required](#).

Default = Don't Require 5 Digit Addenda.



ARQ9790.

* Don't Require 5 Digit Addenda



ARQ9791.

Require 5 Digit Addenda

Addenda Timeout

You can set a time during which the scanner looks for an addenda. If an addenda is not found within this time period, the data can be either transmitted or discarded, based on the setting you are using for [EAN/JAN-13 Addenda Required](#). Set the length (in milliseconds) for this timeout by scanning the bar code below, then setting the timeout (from 0-65535 milliseconds) by scanning digits from the [Programming Chart](#), then scanning **Save**. *Default = 100.*

Note: The Addenda Timeout setting is applied to all addenda and coupon code searches.



DLYADD.

Addenda Timeout

EAN/JAN-13 Addenda Separator

When this feature is **On**, there is a space between the data from the bar code and the data from the addenda. When turned **Off**, there is no space.

Default = Off.



E13ADS1.

On



E13ADS0.

* Off

Note: If you want to enable or disable EAN13 with Extended Coupon Code, refer to [UPC-A/EAN-13 with Extended Coupon Code](#) (page 9-32).

EAN/JAN-13 Redundancy

If you are encountering errors when reading EAN/JAN-13 bar codes, you may want to adjust the redundancy count. Redundancy adjusts the number of times a bar code is decoded before transmission, which may reduce the number of errors. Note that the higher the redundancy count, the longer it will take to decode the bar code. To adjust the redundancy, scan the **EAN/JAN-13 Redundancy** bar code below, then scan a redundancy count between 0 and 10 on the

[Programming Chart](#) inside the back cover of this manual. Then scan the **Save** bar code. *Default = 0.*



UPC/EAN Addenda Redundancy

This programs the number of redundant scans required of a 2 or 5-digit addendum before it is attached to the UPC or EAN bar code and submitted. To adjust the redundancy, scan the **Redundancy** bar code below for the 2 or 5-digit addenda you want to adjust, then scan a redundancy count between 0 and 10 on the [Programming Chart](#) inside the back cover of this manual. Then scan the **Save** bar code. *Default = 2 for 2-Digit Addenda, 1 for 5-Digit Addenda.*



ISBN Translate

When **On** is scanned, EAN-13 Bookland symbols are translated into their equivalent ISBN number format. *Default = Off.*



Convert ISBN to 13-Digit

When translating EAN-13 codes to the ISBN format, you can convert the bar code to a 13 digit format by scanning the **Convert to 13-Digit On** bar code below. *Default = Convert to 13-Digit Off.*





E13I130.

*Convert to 13-Digit Off

ISBN Reformat

In normal use, the first two or three digits of an EAN-13 bar code identify the country of origin. The country prefixes are 978 and 979. To reformat ISBN codes so the country prefix is dropped out, scan the **Reformat On** bar code below.

Default = Reformat Off.



E13IR1.

Reformat On



E13IRO.

*Reformat Off

ISSN Translate

When **On** is scanned, EAN-13 977 Bookland symbols are translated into their equivalent 8-digit ISSN number format. For example, 9770123456787 will be transmitted as 01234560. *Default = Off.*



E13ISS1.

On



E13ISS0.

* Off

ISSN Reformat

When **Reformat On** is scanned, EAN-13 977 Bookland symbols are translated into their equivalent 8-digit ISSN number format, with hyphens added to the output. For example, 9770123456787 will be transmitted as 0123-456-0. (You must first scan ISSN **On** (page 9-49) before scanning **Reformat On**.) *Default = Reformat Off.*



E13ISR1.

Reformat On



E13ISR0.
* Reformat Off

EAN/JAN-8



EA8DFT.
Default All EAN/JAN-8 Settings

EAN/JAN-8 On/Off



EA8ENA1.
* On



EA8ENA0.
Off

EAN/JAN-8 Check Digit

This selection allows you to specify whether the check digit should be transmitted at the end of the scanned data or not.
Default = On.



EA8CKX1.
* On



EA8CKX0.
Off

EAN/JAN-8 Addenda

This selection adds 2 or 5 digits to the end of all scanned EAN/JAN-8 data.
Default = Off for both 2 Digit and 5 Digit Addenda.



EA8AD21.
2 Digit Addenda On



EAN/JAN-8 Addenda Required

When **Required** is scanned, the scanner will only read EAN/JAN-8 bar codes that have addenda. *Default = Not Required.*



EAN/JAN-8 Addenda Separator

When this feature is **On**, there is a space between the data from the bar code and the data from the addenda. When turned **Off**, there is no space.

Default = Off.



EAN/JAN-8 Redundancy

If you are encountering errors when reading EAN/JAN-8 bar codes, you may want to adjust the redundancy count. Redundancy adjusts the number of times a bar code is decoded before transmission, which may reduce the number of errors. Note that the higher the redundancy count, the longer it will take to decode the bar code. To adjust the redundancy, scan the **EAN/JAN-8 Redundancy** bar code below, then scan a redundancy count between 0 and 10 on the [Programming Chart](#) inside the back cover of this manual. Then scan the **Save** bar code. *Default = 0.*



EAN/JAN-8 Redundancy

EAN/JAN-8 Redundancy

UPC/EAN Addenda Redundancy

This programs the number of redundant scans required of a 2 or 5-digit addendum before it is attached to the UPC or EAN bar code and submitted. To adjust the redundancy, scan the **Redundancy** bar code below for the 2 or 5-digit addenda you want to adjust, then scan a redundancy count between 0 and 10 on the [Programming Chart](#) inside the back cover of this manual. Then scan the **Save** bar code. *Default = 2 for 2-Digit Addenda, 1 for 5-Digit Addenda.*



AD2VOT.

**2-Digit Addenda
Redundancy**



AD5VOT.

**5-Digit Addenda
Redundancy**

MSI



MSIDFT.
Default All MSI Settings

MSI On/Off



MSIENA1.
On



MSIENAO.
* Off

MSI Check Character

Different types of check characters are used with MSI bar codes. You can program the scanner to read MSI bar codes with Type 10 check characters. *Default = Validate Type 10, but Don't Transmit.*

When Check Character is set to **Validate Type 10/11 and Transmit**, the scanner will only read MSI bar codes printed with the specified type check character(s), and will transmit the character(s) at the end of the scanned data.

When Check Character is set to **Validate Type 10/11, but Don't Transmit**, the unit will only read MSI bar codes printed with the specified type check character(s), but will not transmit the check character(s) with the scanned data.



MSICHK0.
* Validate Type 10, but Don't
Transmit



MSICHK1.
Validate Type 10 and Transmit



MSICHK2.
Validate 2 Type 10 Characters,
but Don't Transmit



MSICHK3.
Validate 2 Type 10 Characters
and Transmit



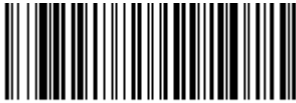
MSICLK4.

Validate Type 10 then Type 11
Character, but Don't Transmit



MSICLK5.

Validate Type 10 then
Type 11 Character and Transmit



MSICLK6.

Disable MSI Check Characters

MSI Redundancy

If you are encountering errors when reading MSI bar codes, you may want to adjust the redundancy count. Redundancy adjusts the number of times a bar code is decoded before transmission, which may reduce the number of errors. Note that the higher the redundancy count, the longer it will take to decode the bar code. To adjust the redundancy, scan the **MSI Redundancy** bar code below, then scan a redundancy count between 0 and 10 on the [Programming Chart](#) inside the back cover of this manual. Then scan the **Save** bar code. *Default = 0.*



MSIVOT.

MSI Redundancy

MSI Message Length

Scan the bar codes below to change the message length. Refer to [Message Length Description](#) (page 9-1) for additional information. Minimum and Maximum lengths = 1-80. Minimum Default = 3, Maximum Default = 80.



MSIMIN.

Minimum Message Length



MSIMAX.

Maximum Message Length

Plessey Code



PLSDFT.

Default All Plessey Code Settings

Plessey Code On/Off



PLSENA1.

On



PLSENA0.

* Off

Plessey Check Character

No Check Character indicates that the scanner reads and transmits bar code data with or without a check character.

When Check Character is set to **Validate, but Don't Transmit**, the unit only reads Plessey bar codes printed with a check character, but will not transmit the check character with the scanned data.

When Check Character is set to **Validate and Transmit**, the scanner only reads Plessey bar codes printed with a check character, and will transmit this character at the end of the scanned data. *Default = No Check Character.*



PLSCHK0.

* No Check Character



PLSCHK1.

Validate, but Don't Transmit



PLSCHK2.

Validate and Transmit

Plessey Redundancy

If you are encountering errors when reading Plessey bar codes, you may want to adjust the redundancy count. Redundancy adjusts the number of times a bar code is decoded before transmission, which may reduce the number of errors. Note that the higher the redundancy count, the longer it will take to decode the bar code. To adjust the redundancy, scan the **Plessey Redundancy** bar code below, then scan a redundancy count between 0 and 10 on the [Programming Chart](#)

inside the back cover of this manual. Then scan the **Save** bar code. *Default = 0.*



Plessey Message Length

Scan the bar codes below to change the message length. Refer to [Message Length Description](#) (page 9-1) for additional information. Minimum and Maximum lengths = 1-80. Minimum Default = 3, Maximum Default = 80.



GS1 DataBar Omnidirectional



GS1 DataBar Omnidirectional On/Off



GS1 DataBar Omnidirectional Redundancy

If you are encountering errors when reading GS1 DataBar Omnidirectional bar codes, you may want to adjust the redundancy count. Redundancy adjusts the number of times a bar code is decoded before transmission, which may reduce the number of errors. Note that the higher the redundancy count, the longer it will take to decode the bar code. To adjust the redundancy, scan the **GS1 DataBar Omnidirectional Redundancy** bar code below, then scan a redundancy count between 0 and 10 on the [Programming Chart](#) inside the back cover of this manual. Then scan the **Save** bar code. *Default*

= 0.



RSSVOT.
GS1 DataBar Omnidirectional
Redundancy

GS1 DataBar Limited



RSLDFT.
Default All GS1 DataBar Limited Settings

GS1 DataBar Limited On/Off



RSLENA1.
* On



RSLENA0.
Off

GS1 DataBar Limited Redundancy

If you are encountering errors when reading GS1 DataBar Limited bar codes, you may want to adjust the redundancy count. Redundancy adjusts the number of times a bar code is decoded before transmission, which may reduce the number of errors. Note that the higher the redundancy count, the longer it will take to decode the bar code. To adjust the redundancy, scan the **GS1 DataBar Limited Redundancy** bar code below, then scan a redundancy count between 0 and 10 on the [Programming Chart](#) inside the back cover of this manual. Then scan the **Save** bar code. *Default = 0.*



RSLVOT.
GS1 DataBar Limited
Redundancy

GS1 DataBar Expanded



RSEDFT.

Default All GS1 DataBar Expanded Settings

GS1 DataBar Expanded On/Off



RSEENA1.

* On



RSEENA0.

Off

Note: Contact [Technical Assistance](#) (page 16-1) for help if you have difficulty with GS1 DataBar Expanded bar codes.

GS1 DataBar Expanded Redundancy

If you are encountering errors when reading GS1 DataBar Expanded bar codes, you may want to adjust the redundancy count. Redundancy adjusts the number of times a bar code is decoded before transmission, which may reduce the number of errors. Note that the higher the redundancy count, the longer it will take to decode the bar code. To adjust the redundancy, scan the **GS1 DataBar Expanded Redundancy** bar code below, then scan a redundancy count between 0 and 10 on the [Programming Chart](#) inside the back cover of this manual. Then scan the **Save** bar code. *Default = 0.*

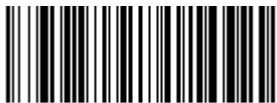


RSEVOT.

GS1 DataBar Expanded
Redundancy

GS1 DataBar Expanded Message Length

Scan the bar codes below to change the message length. Refer to [Message Length Description](#) (page 9-1) for additional information. Minimum and Maximum lengths = 4-74. Minimum Default = 4, Maximum Default = 74.



RSEMIN.

Minimum Message Length



RSEMAX.

Maximum Message Length

Coupon Code Settings

GS1 DataBar Expanded Coupons With AI (8110)

This selection lets you control reading GS1 DataBar Expanded coupon codes that have an application identifier (AI) of 8110. When **On** is scanned, GS1 DataBar Expanded coupon codes that have an AI of 8110 are read. When **Off** is scanned, GS1 DataBar Expanded coupon codes with AI (8110) are not read. *Default = Off.*



RSEAIW1.

On



RSEAIW0.

*** Off**

GS1 DataBar Expanded Coupons Without AI (8110)

This selection lets you control reading GS1 DataBar Expanded coupon codes that do not have an application identifier (AI) of 8110. When **On** is scanned, GS1 DataBar Expanded coupon codes that do not have an AI of 8110 are read. When **Off** is scanned, GS1 DataBar Expanded coupon codes without AI (8110) are not read. *Default = Off.*



RSEAI01.

On



RSEAI00.

*** Off**

GS1 DataBar Expanded Coupon Preferred Mode

This selection allows you to set a scanning preference for GS1 DataBar Expanded Coupons With AI (8110) over UPC/EAN bar codes. When **On** is selected and an item is scanned that has both a GS1 DataBar Expanded coupon code with AI (8110) as well as a UPC or EAN bar code, the scanner will transmit the coupon code data. If no coupon code is found, then the UPC or EAN code data is sent. The scanner searches for the coupon code for the length of time set for the [Addenda Timeout](#), page 9-47. When **Off** is selected, both bar codes are sent independently. *Default = Off.*



RSEPRF1.

On

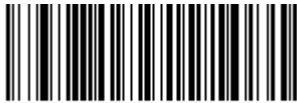


RSEPRF0.

* Off

Coupon GS1 DataBar Output

If you scan coupons that have both UPC and GS1 DataBar codes, you may wish to scan and output only the data from the GS1 DataBar code. Scan the **GS1 Output On** code below to scan and output only the GS1 DataBar code data. *Default = GS1 Output Off.*



CPNGS10.

* GS1 Output Off



CPNGS11.

GS1 Output On

In-Store Printed Bar Codes

In-store UPC and EAN bar codes are sometimes haphazardly printed, resulting in poor quality codes. The decoding of in-store bar codes may need some adjustment to improve read rates. The following settings allow you to make fine adjustments to the way the decoder interprets the bar code data from in-store printed UPC and EAN bar codes.

Stitching

Stitching controls the decoding security for in-store UPC and EAN bar codes. If you are having difficulty reading poor quality in-store bar codes, you may wish to scan the **Stitching Off** bar code below to improve the read rate. *Default = Stitching On.*



EANDNS1.

* Stitching On



EANDNS0.

Stitching Off

Framing

Framing controls the framing rules for in-store UPC and EAN bar codes. If you are having difficulty reading poor quality in-store bar codes, you may wish to scan the Framing Off bar code below to improve the read rate. Default = Framing Off.



EANFRM1.
Framing On



EANFRM0.
*** Framing Off**

Redundancy

Redundancy adjusts the number of times a bar code is decoded before transmission, which may reduce the number of errors. Note that the higher the redundancy count, the longer it will take to decode the bar code. If you are having difficulty reading poor quality in-store bar codes, you may wish to scan a higher **Redundancy** bar code below to improve the read rate. *Default = Redundancy Off.*



EANISR0.
*** Redundancy Off**



EANISR1.
1X Redundancy



EANISR2.
2X Redundancy



EANISR3.
3X Redundancy



EANISR4.
4X Redundancy

Trioptic Code

Note: If you are going to scan Code 32 Pharmaceutical codes ([page 9-6](#)), Trioptic Code must be off.

Trioptic Code is used for labeling magnetic storage media.



Codablock A



Codablock A On/Off



Codablock A Message Length

Scan the bar codes below to change the message length. Refer to [Message Length Description](#) (page 9-1) for additional information. Minimum and Maximum lengths = 1-600. Minimum Default = 1, Maximum Default = 600.



Codablock F



CBFDFT.

Default All Codablock F Settings

Codablock F On/Off



CBFENA1.

On



CBFENA0.

*** Off**

Codablock F Message Length

Scan the bar codes below to change the message length. Refer to [Message Length Description](#) (page 9-1) for additional information. Minimum and Maximum lengths = 1-2048. Minimum Default = 1, Maximum Default = 2048.



CBFMIN.

Minimum Message Length



CBFMAX.

Maximum Message Length

PDF417



PDFDFT.
Default All PDF417 Settings

PDF417 On/Off



PDFENA1.
On



PDFENA0.
* Off

PDF417 Message Length

Scan the bar codes below to change the message length. Refer to [Message Length Description](#) (page 9-1) for additional information. Minimum and Maximum lengths = 1-2750. Minimum Default = 1, Maximum Default = 2750.



PDFMIN.
Minimum Message Length



PDFMAX.
Maximum Message Length

MacroPDF417

MacroPDF417 is an implementation of PDF417 capable of encoding very large amounts of data into multiple PDF417 bar codes. When this selection is enabled, these multiple bar codes are assembled into a single data string. *Default = Off.*



PDFMAC1.
On



PDFMAC0.
* Off

MicroPDF417



MPDDFT.

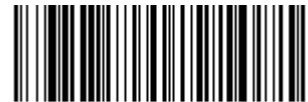
Default All MicroPDF417 Settings

MicroPDF417 On/Off



MPDENA1.

On



MPDENAD.

* Off

MicroPDF417 Message Length

Scan the bar codes below to change the message length. Refer to [Message Length Description](#) (page 9-1) for additional information. Minimum and Maximum lengths = 1-366. Minimum Default = 1, Maximum Default = 366.



MPDMIN.

Minimum Message Length



MPDMAX.

Maximum Message Length

GS1 Composite Codes

Linear codes are combined with a unique 2D composite component to form a new class called GS1 Composite symbology. GS1 Composite symbologies allow for the co-existence of symbologies already in use. *Default = Off.*



COMENA1.

On



COMENAO.

* Off

UPC/EAN Version

Scan the **UPC/EAN Version On** bar code to decode GS1 Composite symbols that have a U.P.C. or an EAN linear component. (This does not affect GS1 Composite symbols with a GS1-128 or GS1 linear component.) *Default = UPC/EAN Version Off.*



COMUPC1.

UPC/EAN Version On



COMUPCO.

* UPC/EAN Version Off

GS1 Composite Code Message Length

Scan the bar codes below to change the message length. Refer to [Message Length Description](#) (page 9-1) for additional information. Minimum and Maximum lengths = 1-2435. Minimum Default = 1, Maximum Default = 2435.



COMMIN.

Minimum Message Length



COMMAX.

Maximum Message Length

GS1 Emulation

The scanner can automatically format the output from any GS1 data carrier to emulate what would be encoded in an equivalent GS1-128 or GS1 DataBar symbol. GS1 data carriers include UPC-A and UPC-E, EAN-13 and EAN-8, ITF-14, GS1-128, and GS1-128 DataBar and GS1 Composites. (Any application that accepts GS1 data can be simplified since it only needs to recognize one data carrier type.)

If **GS1-128 Emulation** is scanned, all retail codes (U.P.C., UPC-E, EAN8, EAN13) are expanded out to 16 digits. If the AIM ID is enabled, the value will be the GS1-128 AIM ID,]C1 (see [Symbology Charts](#) on page A-1).

If **GS1 DataBar Emulation** is scanned, all retail codes (U.P.C., UPC-E, EAN8, EAN13) are expanded out to 16 digits. If the AIM ID is enabled, the value will be the GS1-DataBar AIM ID,]em (see [Symbology Charts](#) on page A-1).

If **GS1 Code Expansion Off** is scanned, retail code expansion is disabled, and UPC-E expansion is controlled by the [UPC-E0 Expand](#) (page 9-37) setting. If the AIM ID is enabled, the value will be the GS1-128 AIM ID,]C1 (see [Symbology Charts](#) on page A-1).

If **EAN8 to EAN13 Conversion** is scanned, all EAN8 bar codes are converted to EAN13 format. 7

Default = GS1 Emulation Off.



TCIF Linked Code 39 (TLC39)

This code is a composite code since it has a Code 39 linear component and a MicroPDF417 stacked code component. All bar code readers are capable of reading the Code 39 linear component. The MicroPDF417 component can only be decoded if **TLC39 On** is selected. The linear component may be decoded as Code 39 even if TLC39 is off. *Default = Off.*



QR Code



QRCDFT.
Default All QR Code Settings

QR Code On/Off

This selection applies to both QR Code and Micro QR Code.



QRCENA1.
On



QRCENA0.
* Off

QR Code Message Length

Scan the bar codes below to change the message length. Refer to [Message Length Description](#) (page 9-1) for additional information. Minimum and Maximum lengths = 1-7089. Minimum Default = 1, Maximum Default = 7089.



QRCMIN.
Minimum Message Length



QRCMAX.
Maximum Message Length

QR Code Append

This function allows the scanner to append the data from several QR Code bar codes together before transmitting them to the host computer. When the scanner encounters an QR Code bar code with the append trigger character(s), it buffers the number of QR Code bar codes determined by information encoded in those bar codes. Once the proper number of codes is reached, the data is output in the order specified in the bar codes. *Default = On.*



QRCAPP1.
* On



QRCAPP0.
Off

Data Matrix



IDMDFT.
Default All Data Matrix Settings

Data Matrix On/Off



IDMENA1.
* On



IDMENA0.
Off

Data Matrix Message Length

Scan the bar codes below to change the message length. Refer to [Message Length Description](#) (page 9-1) for additional information. Minimum and Maximum lengths = 1-3116. Minimum Default = 1, Maximum Default = 3116.



IDMMIN.
Minimum Message Length



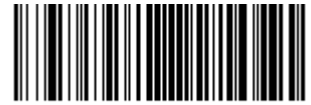
IDMMAX.
Maximum Message Length

Data Matrix Append

This function allows the scanner to append the data from several Data Matrix bar codes together before transmitting them to the host computer. When the scanner encounters a Data Matrix bar code with the append trigger character(s), it buffers the number of Data Matrix bar codes determined by information encoded in those bar codes. Once the proper number of codes is reached, the data is output in the order specified in the bar codes. *Default = On.*



IDMAPP1.
* On



IDMAPPO.
Off

MaxiCode



MAXDFT.
Default All MaxiCode Settings

MaxiCode On/Off



MAXENA1.
On



MAXENAO.
* Off

MaxiCode Message Length

Scan the bar codes below to change the message length. Refer to [Message Length Description](#) (page 9-1) for additional information. Minimum and Maximum lengths = 1-150. Minimum Default = 1, Maximum Default = 150.



MAXMIN.
Minimum Message Length



MAXMAX.

Maximum Message Length

Aztec Code



AZTDFT.

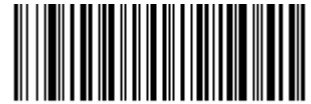
Default All Aztec Code Settings

Aztec Code On/Off



AZTENA1.

* On



AZTENAO.

Off

Aztec Code Message Length

Scan the bar codes below to change the message length. Refer to [Message Length Description](#) (page 9-1) for additional information. Minimum and Maximum lengths = 1-3832. Minimum Default = 1, Maximum Default = 3832.



AZTMIN.

Minimum Message Length

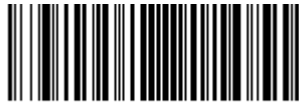


AZTMAX.

Maximum Message Length

Aztec Append

This function allows the scanner to append the data from several Aztec bar codes together before transmitting them to the host computer. When the scanner encounters an Aztec bar code with the append trigger character(s), it buffers the number of Aztec bar codes determined by information encoded in those bar codes. Once the proper number of codes is reached, the data is output in the order specified in the bar codes. *Default = On.*



AZTAPP1.
* On



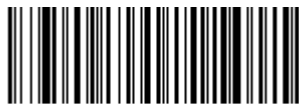
AZTAPP0.
Off

Chinese Sensible (Han Xin) Code



HX_DFT.
Default All Han Xin Settings

Han Xin Code On/Off



HX_ENA1.
On



HX_ENA0.
* Off

Han Xin Code Message Length

Scan the bar codes below to change the message length. Refer to [Message Length Description](#) (page 9-1) for additional information. Minimum and Maximum lengths = 1-7833. Minimum Default = 1, Maximum Default = 7833.



HX_MIN.
Minimum Message Length



HX_MAX.

Maximum Message Length

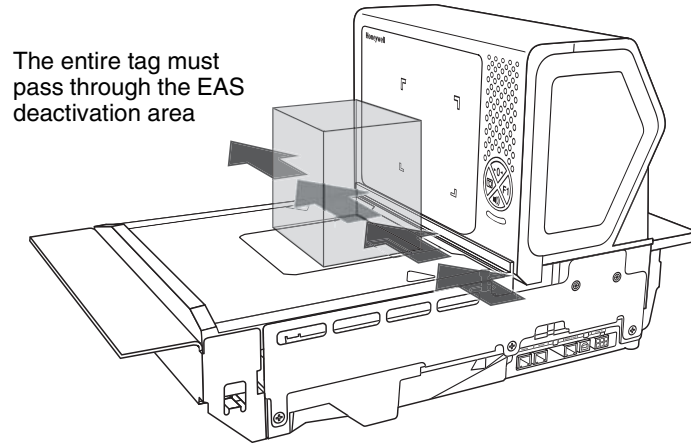


EAS Settings

EAS Deactivation

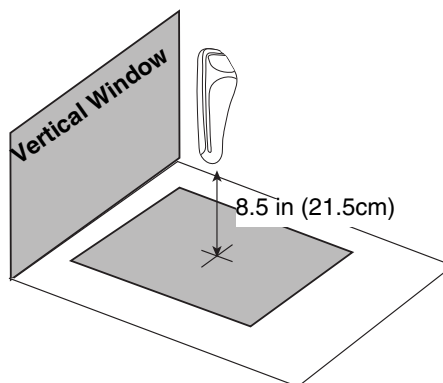
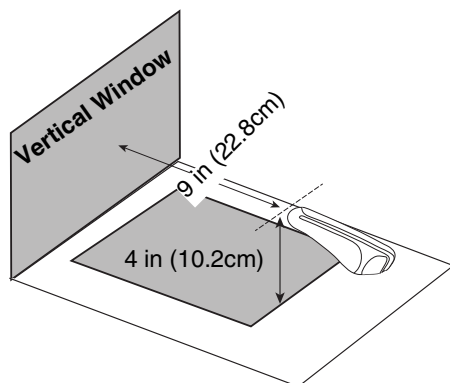
The Stratos bioptic supports deactivation of Checkpoint and Sensormatic/Tyco EAS tags. The following illustration shows the location of the EAS deactivation area. It is important to pass the entire tag through this area to deactivate the security tag.

EAS Deactivation Zone

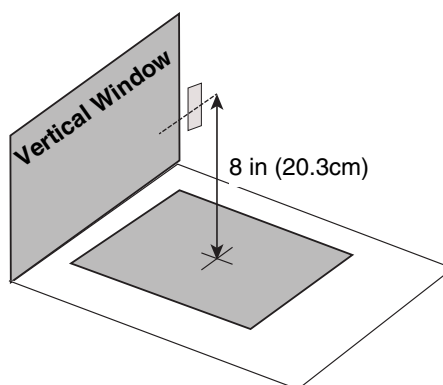
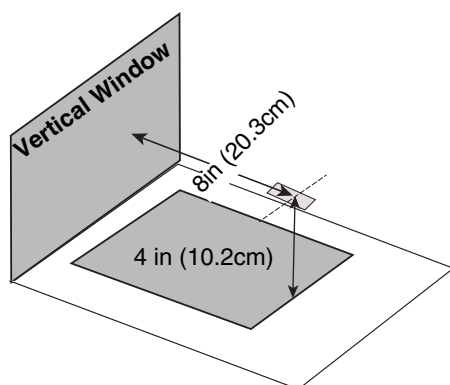


Sensormatic

Detection Ranges



Deactivation Ranges



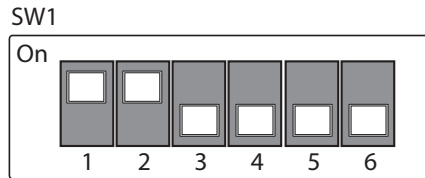
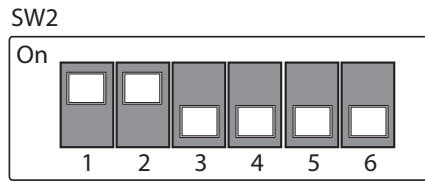
Checkpoint

EAS Controller Settings

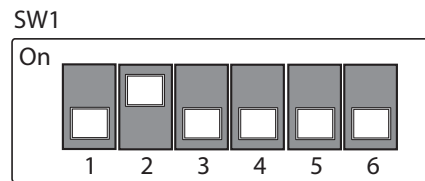
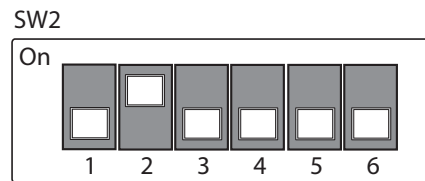
The following switch settings for a Checkpoint Counterpoint IX controller can be used as a starting point, however, these

settings should be tuned according to your particular installation.

Using a 2 ft
(.61m) cable
Part #52-52511



Using a 6 ft
(1.83m) cable
Part #52-52556



| Cable | EAS Detection Volume | | |
|---------------------------|----------------------|--------------------|-----------------|
| | Width | Height | Depth |
| 2 ft (.61m) #52-52511 | 11 in. (27.94cm) | 6.75 in. (17.15cm) | 10 in. (25.4cm) |
| 6 ft (1.83m) #52-52556 | 9.5 in. (24.13cm) | 5 in. (12.7cm) | 10 in. (25.4cm) |

Programming the EAS Interface

Scan one of the following bar codes to program the EAS Interface. The EAS Interfaces all work in interlocked mode (see [EAS Mode of Operation](#) on page 10-5).



PAPCP1.
GPIO Checkpoint



EAS Controller

Scan one of the following bar codes to select the EAS system that is attached to the scanner. *Default = Off.*



EAS Interface

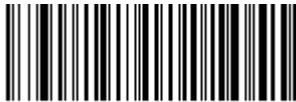
Scan one of the following bar codes to select the type of interface the EAS device uses to connect to the scanner. *Default = GPIO.*



EASINF0.
* GPIO



EASINF1.
RS232



EASINF2.
USB

EAS Mode of Operation

Scan one of the following bar codes to select the EAS mode you wish to use.

When **Interlocked** is selected, EAS tag deactivation is interlocked with bar code scanning and transmission. When using **Interlocked**, you must set the timeout (see below).

When **Continuous on Enable** is selected, EAS tag deactivation is disabled whenever the POS system disables the scanner.

When **Continuous** is selected, EAS tag deactivation is on all the time.

Default = Interlocked.



EASMOD0.
* Interlocked



EASMOD1.
Continuous on Enable



EASMOD2.
Continuous

EAS Interlocked Duration Timeout

When using the Interlocked EAS Mode of Operation, you must set the lag time between when a bar code is read and when the EAS tag is deactivated. Use this selection to set this timeout (in milliseconds). After scanning the **EAS Interlocked Duration Timeout** bar code, set the timeout duration (from 0-65535 milliseconds) by scanning digits on the

[Programming Chart](#) inside the back cover, then scanning **Save**. *Default = 4000 ms, which is 4 seconds.*

Note: If the EAS tag has not been deactivated in this time period, the operator can deactivate it using the F1 button. See [EAS Function](#) on page 4-5 to program this functionality.



EASTIM.
**EAS Interlocked Duration
Timeout**

EAS Tag Detection

When **On** is scanned, the scanner makes a Geiger counter sound when an EAS tag is detected. Scan the **Off** bar code(s) if you don't want the scanner to make this sound. *Default = EAS Tag Detection Off.*



EASGGR0.
*** EAS Tag Detection Off**



EASGGR1.
EAS Tag Detection On

Note: To set the scanner to chirp when an EAS tag is deactivated, refer to [Beep on EAS Deactivation](#) on page 4-11.

Interface Keys

Keyboard Function Relationships

The following Keyboard Function Code, Hex/ASCII Value, and Full ASCII “CTRL”+ relationships apply to all terminals that can be used with the scanner. Refer to [page 3-22](#) enable Control + X mode.

| Function Code | HEX/ASCII Value | Full ASCII “CTRL” + |
|---------------|-----------------|---------------------|
| NUL | 00 | @ |
| SOH | 01 | A |
| STX | 02 | B |
| ETX | 03 | C |
| EOT | 04 | D |
| ENQ | 05 | E |
| ACK | 06 | F |
| BEL | 07 | G |
| BS | 08 | H |
| HT | 09 | I |
| LF | 0A | J |
| VT | 0B | K |
| FF | 0C | L |
| CR | 0D | M |
| SO | 0E | N |
| SI | 0F | O |
| DLE | 10 | P |
| DC1 | 11 | Q |
| DC2 | 12 | R |
| DC3 | 13 | S |
| DC4 | 14 | T |
| NAK | 15 | U |
| SYN | 16 | V |
| ETB | 17 | W |
| CAN | 18 | X |
| EM | 19 | Y |
| SUB | 1A | Z |
| ESC | 1B | [|
| FS | 1C | \ |
| GS | 1D |] |
| RS | 1E | ^ |
| US | 1F | - |

The last five characters in the Full ASCII “CTRL”+ column ([\] 6 -), apply to US only. The following chart indicates the equivalents of these five characters for different countries.

| Country | Codes | | | | |
|----------------|-------|---|----|---|---|
| United States | [| \ |] | 6 | - |
| Belgium | [| < |] | 6 | - |
| Scandinavia | 8 | < | 9 | 6 | - |
| France | ^ | 8 | \$ | 6 | = |
| Germany | | Ã | + | 6 | - |
| Italy | | \ | + | 6 | - |
| Switzerland | | < | .. | 6 | - |
| United Kingdom | [| ç |] | 6 | - |

| Country | Codes | | | | |
|----------------|--------------|---|---|---|---|
| Denmark | 8 | \ | 9 | 6 | - |
| Norway | 8 | \ | 9 | 6 | - |
| Spain | [| \ |] | 6 | - |

Supported Interface Keys

| ASCII | HEX | IBM PC/AT and Compatibles, USB PC Keyboard | Apple Mac/iMac Supported Keys |
|-------|-----|---|----------------------------------|
| NUL | 00 | Reserved | Reserved |
| SOH | 01 | Enter (KP) | Enter/Numpad Enter |
| STX | 02 | Cap Lock | CAPS |
| ETX | 03 | ALT make | ALT make |
| EOT | 04 | ALT break | ALT break |
| ENQ | 05 | CTRL make | CNTRL make |
| ACK | 06 | CTRL break | CNTRL break |
| BEL | 07 | CR/Enter | RETURN |
| BS | 08 | Reserved | APPLE make |
| HT | 09 | Tab | TAB |
| LF | 0A | Reserved | APPLE break |
| VT | 0B | Tab | TAB |
| FF | 0C | Delete | Del |
| CR | 0D | CR/Enter | RETURN |
| SO | 0E | Insert | Ins Help |
| SI | 0F | Escape | ESC |
| DLE | 10 | F11 | F11 |
| DC1 | 11 | Home | Home |
| DC2 | 12 | Print | Prnt Scrn |
| DC3 | 13 | Back Space | BACKSPACE |
| DC4 | 14 | Back Tab | LSHIFT TAB |
| NAK | 15 | F12 | F12 |
| SYN | 16 | F1 | F1 |
| ETB | 17 | F2 | F2 |
| CAN | 18 | F3 | F3 |
| EM | 19 | F4 | F4 |
| SUB | 1A | F5 | F5 |
| ESC | 1B | F6 | F6 |
| FS | 1C | F7 | F7 |
| GS | 1D | F8 | F8 |
| RS | 1E | F9 | F9 |
| US | 1F | F10 | F10 |
| DEL | 7F | | BACKSPACE |



To Add a Test Code I.D. Prefix to All Symbologies

This selection allows you to turn on transmission of a Code I.D. before the decoded symbology. (See the [Symbology Charts](#), beginning on page A-1) for the single character code that identifies each symbology.) This action first clears all current prefixes, then programs a Code I.D. prefix for all symbologies. This is a temporary setting that will be removed when the unit is power cycled.



PRECA2;PREBK2995C80!
**Add Code I.D. Prefix to
 All Symbologies (Temporary)**

Show Software Revision

Scan the bar code below to output the current software revision, unit serial number, and other product information for the scanner.



REVINF.
Show Revision

Show Data Format

Scan the bar code below to show current data format settings.



DFMBK3?
Data Format Settings

Test Menu

When you scan the Test Menu **On** code, then scan a programming code in this manual, the scanner displays the content of a programming code. The programming function will still occur, but in addition, the content of that programming code is output to the terminal.

Note: This feature should not be used during normal scanner operation.



TSTMNU1.
On



TSTMNU0.
*** Off**

TotalFreedom

TotalFreedom is an open system architecture that makes it possible for you create applications that reside on your scanner. Decoding apps and Data Formatting apps can be created using TotalFreedom. For further information about TotalFreedom, go to our website at www.honeywellaidc.com.

EZConfig-Scanning Introduction

EZConfig-Scanning provides a wide range of PC-based programming functions that can be performed on a scanner connected to your PC's COM port. EZConfig-Scanning allows you to download upgrades to the scanner's firmware, change programmed parameters, and create and print programming bar codes. Using EZConfig-Scanning, you can even save/open the programming parameters for a scanner. This saved file can be e-mailed or, if required, you can create a single bar code that contains all the customized programming parameters and mail or fax that bar code to any location. Users in other locations can scan the bar code to load in the customized programming.

To communicate with a scanner, EZConfig-Scanning requires that the PC have at least one available serial communication port, or a serial port emulation using a physical USB port. If you are using the serial port and RS232 cable, an external power supply is required. When using a USB serial port emulation, only a USB cable is required.

EZConfig-Scanning Operations

The EZConfig-Scanning software performs the following operations:

Scan Data

Scan Data allows you to scan bar codes and display the bar code data in a window. Scan Data lets you send serial commands to the scanner and receive scanner response that can be seen in the Scan Data window. The data displayed in the Scan Data window can either be saved in a file or printed.

Configure

Configure displays the programming and configuration data of the scanner. The scanner's programming and configuration data is grouped into different categories. Each category is displayed as a tree item under the "Configure" tree node in the application explorer. When one of these tree nodes is clicked, the right-hand side is loaded with the parameters' form belonging to that particular category. The "Configure" tree option has all the programming and configuration parameters specified for a scanner. You can set or modify these parameters as required. You can later write the modified settings to the scanner, or save them to a dcf file.

Imaging

Imaging provides all the image-related functions that a 2D Scanner can perform. You can capture an image using the current settings, and the image will be displayed in an image window. Images captured from the scanner can be saved to files in different image formats. You can modify the image settings and save the image settings to an INI file, which can be loaded later to capture new images. Imaging also lets you preview the images continuously captured by the scanner.

Installing EZConfig-Scanning from the Web

Note: EZConfig-Scanning requires .NET software. If .NET is not installed on your PC, you will be prompted to install it during the EZConfig-Scanning installation.

1. Access the Honeywell web site at www.honeywellaidc.com
2. Click on the **Resources** tab. Select **Software**.
3. Click on the dropdown for **Select Product Number**. Click on **2700**.
4. Click on the listing for **EZConfig-Scanning**.
5. When prompted, select **Save File**, and save the files to the **c:\windows\temp** directory.
6. Once you have finished downloading the file, exit the web site.
7. Using Explorer, go to the **c:\windows\temp** file.

-
8. Double click on the **Setup.exe** file. Follow the screen prompts to install the EZConfig-Scanning program.
 9. If you've selected the defaults during installation, you can click on **Start Menu-All Programs-Honeywell-EZConfig-Scanning**.

Resetting the Factory Defaults



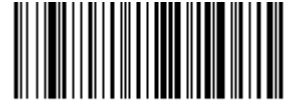
This selection erases all your settings and resets the scanner to the original factory defaults. It also disables all plugins.

If you aren't sure what programming options are in your scanner, or you've changed some options and want to restore the scanner to factory default settings, first scan the **Remove Custom Defaults** bar code, then scan **Activate Defaults**. This resets the scanner to the factory default settings.



DEFOVR.

Remove Custom Defaults



DEFAULT.

Activate Defaults



Serial Programming Commands

The serial programming commands can be used in place of the programming bar codes. Both the serial commands and the programming bar codes will program the scanner. For complete descriptions and examples of each serial programming command, refer to the corresponding programming bar code in this manual.

The device must be set to an RS232 interface (see [page 3-2](#)). The following commands can be sent via a PC COM port using terminal emulation software.

Conventions

The following conventions are used for menu and query command descriptions:

| | |
|-------------------|--|
| <i>parameter</i> | A label representing the actual value you should send as part of a command. |
| [<i>option</i>] | An optional part of a command. |
| { <i>Data</i> } | Alternatives in a command. |
| bold | Names of menus, menu commands, buttons, dialog boxes, and windows that appear on the screen. |

Menu Command Syntax

Menu commands have the following syntax (spaces have been used for clarity only):

Prefix Tag SubTag {Data} [, SubTag {Data}] [: Tag SubTag {Data}] [...] Storage

| | |
|---------|---|
| Prefix | Three ASCII characters: SYN M CR (ASCII 22,77,13). |
| Tag | A 3 character case-insensitive field that identifies the desired menu command group. For example, all RS232 configuration settings are identified with a Tag of 232 . |
| SubTag | A 3 character case-insensitive field that identifies the desired menu command within the tag group. For example, the SubTag for the RS232 baud rate is BAD . |
| Data | The new value for a menu setting, identified by the Tag and SubTag. |
| Storage | A single character that specifies the storage table to which the command is applied. An exclamation point (!) performs the command's operation on the device's volatile menu configuration table. A period (.) performs the command's operation on the device's non-volatile menu configuration table. Use the non-volatile table only for semi-permanent changes you want saved through a power cycle. |

Query Commands

Several special characters can be used to query the device about its settings.

- ^ What is the default value for the setting(s).
- ? What is the device's current value for the setting(s).
- * What is the range of possible values for the setting(s). (The device's response uses a dash (-) to indicate a continuous range of values. A pipe (|) separates items in a list of non-continuous values.)

Tag Field Usage

When a query is used in place of a Tag field, the query applies to the *entire* set of commands available for the particular storage table indicated by the Storage field of the command. In this case, the SubTag and Data fields should not be used because they are ignored by the device.

SubTag Field Usage

When a query is used in place of a SubTag field, the query applies only to the subset of commands available that match the Tag field. In this case, the Data field should not be used because it is ignored by the device.

Data Field Usage

When a query is used in place of the Data field, the query applies only to the specific command identified by the Tag and SubTag fields.

Concatenation of Multiple Commands

Multiple commands can be issued within one Prefix/Storage sequence. Only the Tag, SubTag, and Data fields must be repeated for each command in the sequence. If additional commands are to be applied to the same Tag, then the new command sequence is separated with a comma (,) and only the SubTag and Data fields of the additional command are issued. If the additional command requires a different Tag field, the command is separated from previous commands by a semicolon (;).

Responses

The device responds to serial commands with one of three responses:

ACK Indicates a good command which has been processed.

ENQ Indicates an invalid Tag or SubTag command.

NAK Indicates the command was good, but the Data field entry was out of the allowable range for this Tag and SubTag combination, e.g., an entry for a minimum message length of 100 when the field will only accept 2 characters.

When responding, the device echoes back the command sequence with the status character inserted directly before each of the punctuation marks (the period, exclamation point, comma, or semicolon) in the command.

Examples of Query Commands

In the following examples, a bracketed notation [] depicts a non-displayable response.

Example: What is the range of possible values for Codabar Coding Enable?

Enter: **cbrena*.**

Response: **CBRENA0-1[ACK]**

This response indicates that Codabar Coding Enable (CBRENA) has a range of values from 0 to 1 (off and on).

Example: What is the default value for Codabar Coding Enable?

Enter: **cbrena^.**

Response: **CBRENA1[ACK]**

This response indicates that the default setting for Codabar Coding Enable (CBRENA) is 1, or on.

Example: What is the device's current setting for Codabar Coding Enable?

Enter: **cbrena?.**

Response: **CBRENA1[ACK]**

This response indicates that the device's Codabar Coding Enable (CBRENA) is set to 1, or on.

Example: What are the device's settings for all Codabar selections?

Enter: **cbr?.**

Response: **CBRENA1[ACK],**
SSX0[ACK],
CK20[ACK],
CCT1[ACK],
MIN2[ACK],
MAX60[ACK],
DFT[ACK].

This response indicates that the device's Codabar Coding Enable (CBRENA) is set to 1, or on; the Start/Stop Character (SSX) is set to 0, or Don't Transmit; the Check Character (CK2) is set to 0, or Not Required; concatenation (CCT) is set to 1, or Enabled; the Minimum Message Length (MIN) is set to 2 characters; the Maximum Message Length (MAX) is set to 60 characters; and the Default setting (DFT) has no value.

Menu Commands

| Selection | Setting <i>* Indicates default</i> | Serial Command <i># Indicates a numeric entry</i> | Page |
|--|--|--|------|
| Product Default Settings | | | |
| Setting Custom Defaults | Set Custom Defaults | MNUCDP | 3-1 |
| | Save Custom Defaults | MNUCDS | 3-1 |
| Resetting the Custom Defaults | Activate Custom Defaults | DEFAULT | 3-2 |
| Resetting the Factory Defaults | Remove Custom Defaults | DEFOVR | 12-3 |
| | Activate Defaults | DEFAULT | 12-3 |
| Programming the Bioptic Scanner Interface | | | |
| RS232 Serial Port Interface | RS232 Interface | PAP232 | 3-2 |
| | RS232 OPOS Scanner Only - Dual Cable 9600 Baud | PAPOPS | 3-3 |
| | RS232 OPOS Scanner Only - Dual Cable 38,400 Baud | PAP911 | 3-3 |
| USB Interface | | | |
| USB Host Power | *No Power Management | PWRUSB0 | 3-5 |
| | Reduced Motor Speed During Power On | PWRUSB1 | 3-5 |
| | Motor/Beeper Power Save | PWRUSB2 | 3-6 |
| | Combined Power Save Modes | PWRUSB3 | 3-6 |
| USB PC or Macintosh Keyboard | USB Keyboard (PC) | PAP124 | 3-3 |
| | USB Keyboard (Mac) | PAP125 | 3-3 |
| | USB Japanese Keyboard (PC) | PAP134 | 3-3 |
| USB HID | USB HID | PAP131 | 3-3 |
| USB Serial Commands | USB Serial Emulation | TRMUSB130 | 3-4 |
| | USB Serial Emulation for Windows XP, Windows Server 2003, and later | PAP130 | 3-4 |
| | USB Serial Emulation for Windows 2000 | REMIFCO;PAP130 | 3-3 |
| | CTS/RTS Emulation On | USBCTS1 | 3-5 |
| | CTS/RTS Emulation Off* | USBCTS0 | 3-5 |
| | ACK/NAK Mode On | USBACK1 | 3-5 |
| | ACK/NAK Mode Off* | USBACK0 | 3-5 |
| Host System Plug and Play Codes RS485 | | | |
| | IBM Port 5B Interface | PAPP5B | 3-6 |
| | IBM Port 9B HHBCR-1 Interface | PAP9B1 | 3-6 |
| | IBM Port 9B HHBCR-2 Interface | PAP9B2 | 3-6 |
| | IBM Port 17 Interface | PAPP17 | 3-6 |
| IBM 46XX | Scanner Only | PAP952 | 3-7 |
| IBM Port 17 Interface | Scanner Only | PAPPTT | 3-7 |
| RS485 Packet Mode | RS485 Packet Mode On | RTLPDF1 | 3-7 |
| | RS485 Packet Mode Off | RTLPDF0 | 3-7 |
| | RS485 Packet Length (20-255) | RTLMP5 | 3-7 |
| USB - IBM SurePos | USB IBM SurePos Handheld | PAPSPH | 3-8 |
| | USB IBM SurePos Tabletop | PAPSPT | 3-8 |

| Selection | Setting <i>* Indicates default</i> | Serial Command <i># Indicates a numeric entry</i> | Page |
|-----------------------------|--|---|----------------------|
| NCR | NCR Host System Scanner Only - Dual Cable | PAP953 | 3-8 |
| Verifone | Verifone Ruby Terminal | PAPRBY | 3-9 |
| Gilbarco | Gilbarco Terminal | PAPGLB | 3-9 |
| Wincor Nixdorf | Wincor Nixdorf Terminal | PAPWNX | 3-9 |
| | Wincor Nixdorf Beetle Terminal | PAPBTL | 3-10 |
| Program Keyboard Country | *U.S.A. | KBDCTY0 | 3-10 |
| | Albania | KBDCTY35 | 3-10 |
| | Arabic | KBDCTY91 | 3-10 |
| | Azeri (Cyrillic) | KBDCTY81 | 3-10 |
| | Azeri (Latin) | KBDCTY80 | 3-10 |
| | Belarus | KBDCTY82 | 3-11 |
| | Belgium | KBDCTY1 | 3-11 |
| | Bosnia | KBDCTY33 | 3-11 |
| | Brazil | KBDCTY16 | 3-11 |
| | Brazil (MS) | KBDCTY59 | 3-11 |
| | Bulgaria (Cyrillic) | KBDCTY52 | 3-11 |
| | Bulgaria (Latin) | KBDCTY53 | 3-11 |
| | Canada (French legacy) | KBDCTY54 | 3-11 |
| | Canada (French) | KBDCTY18 | 3-11 |
| | Canada (Multilingual) | KBDCTY55 | 3-12 |
| | China | KBDCTY92 | 3-12 |
| | Croatia | KBDCTY32 | 3-12 |
| | Czech | KBDCTY15 | 3-12 |
| | Czech (Programmers) | KBDCTY40 | 3-12 |
| | Czech (QWERTY) | KBDCTY39 | 3-12 |
| | Czech (QWERTZ) | KBDCTY38 | 3-12 |
| | Denmark | KBDCTY8 | 3-12 |
| | Dutch (Netherlands) | KBDCTY11 | 3-12 |
| | Estonia | KBDCTY41 | 3-13 |
| | Faroese | KBDCTY83 | 3-13 |
| | Finland | KBDCTY2 | 3-13 |
| | France | KBDCTY3 | 3-13 |
| | Gaelic | KBDCTY84 | 3-13 |
| | Germany | KBDCTY4 | 3-13 |
| | Greek | KBDCTY17 | 3-13 |
| | Greek (220 Latin) | KBDCTY64 | 3-13 |
| | Greek (220) | KBDCTY61 | 3-13 |
| | Greek (319 Latin) | KBDCTY65 | 3-14 |
| | Greek (319) | KBDCTY62 | 3-14 |
| | Greek (Latin) | KBDCTY63 | 3-14 |
| | Greek (MS) | KBDCTY66 | 3-14 |

| Selection | Setting <i>* Indicates default</i> | Serial Command <i># Indicates a numeric entry</i> | Page |
|-----------|---------------------------------------|--|----------------------|
| | Greek (Polytonic) | KBDCTY60 | 3-14 |
| | Hebrew | KBDCTY12 | 3-14 |
| | Hungarian (101 key) | KBDCTY50 | 3-14 |
| | Hungary | KBDCTY19 | 3-14 |
| | Iceland | KBDCTY75 | 3-14 |
| | Irish | KBDCTY73 | 3-15 |
| | Italian (142) | KBDCTY56 | 3-15 |
| | Italy | KBDCTY5 | 3-15 |
| | Japan ASCII | KBDCTY28 | 3-15 |
| | Kazakh | KBDCTY78 | 3-15 |
| | Korea | KBDCTY93 | 3-15 |
| | Kyrgyz (Cyrillic) | KBDCTY79 | 3-15 |
| | Latin America | KBDCTY14 | 3-15 |
| | Latvia | KBDCTY42 | 3-15 |
| | Latvia (QWERTY) | KBDCTY43 | 3-16 |
| | Lithuania | KBDCTY44 | 3-16 |
| | Lithuania (IBM) | KBDCTY45 | 3-16 |
| | Macedonia | KBDCTY34 | 3-16 |
| | Malta | KBDCTY74 | 3-16 |
| | Mongolian (Cyrillic) | KBDCTY86 | 3-16 |
| | Norway | KBDCTY9 | 3-16 |
| | Poland | KBDCTY20 | 3-16 |
| | Polish (214) | KBDCTY57 | 3-16 |
| | Polish (Programmers) | KBDCTY58 | 3-17 |
| | Portugal | KBDCTY13 | 3-17 |
| | Romania | KBDCTY25 | 3-17 |
| | Russia | KBDCTY26 | 3-17 |
| | Russian (MS) | KBDCTY67 | 3-17 |
| | Russian (Typewriter) | KBDCTY68 | 3-17 |
| | SCS | KBDCTY21 | 3-17 |
| | Serbia (Cyrillic) | KBDCTY37 | 3-17 |
| | Serbia (Latin) | KBDCTY36 | 3-18 |
| | Slovakia | KBDCTY22 | 3-18 |
| | Slovakia (QWERTY) | KBDCTY49 | 3-18 |
| | Slovakia (QWERTZ) | KBDCTY48 | 3-18 |
| | Slovenia | KBDCTY31 | 3-18 |
| | Spain | KBDCTY10 | 3-18 |
| | Spanish variation | KBDCTY51 | 3-18 |
| | Sweden | KBDCTY23 | 3-18 |
| | Switzerland (French) | KBDCTY29 | 3-19 |
| | Switzerland (German) | KBDCTY6 | 3-19 |
| | Tatar | KBDCTY85 | 3-19 |

| Selection | Setting <i>* Indicates default</i> | Serial Command <i># Indicates a numeric entry</i> | Page |
|---------------------|--|---|----------------------|
| | Thailand | KBDCTY94 | 3-19 |
| | Turkey F | KBDCTY27 | 3-19 |
| | Turkey Q | KBDCTY24 | 3-19 |
| | Ukrainian | KBDCTY76 | 3-19 |
| | United Kingdom | KBDCTY7 | 3-19 |
| | United Stated (Dvorak right) | KBDCTY89 | 3-20 |
| | United States (Dvorak left) | KBDCTY88 | 3-20 |
| | United States (Dvorak) | KBDCTY87 | 3-19 |
| | United States (International) | KBDCTY30 | 3-20 |
| | Uzbek (Cyrillic) | KBDCTY77 | 3-20 |
| | Vietnam | KBDCTY95 | 3-20 |
| Keyboard Conversion | *Keyboard Conversion Off | KBDCNV0 | 3-21 |
| | Convert all Characters to Upper Case | KBDCNV1 | 3-22 |
| | Convert all Characters to Lower Case | KBDCNV2 | 3-22 |
| Keyboard Style | *Regular | KBDSTY0 | 3-20 |
| | Caps Lock | KBDSTY1 | 3-20 |
| | Shift Lock | KBDSTY2 | 3-21 |
| | Automatic Caps Lock | KBDSTY6 | 3-21 |
| | Emulate External Keyboard | KBDSTY5 | 3-21 |
| Keyboard Modifiers | *Control + X Off | KBDCAS0 | 3-22 |
| | DOS Mode Control + X | KBDCAS1 | 3-22 |
| | Windows Mode Control + X | KBDCAS2 | 3-22 |
| | Windows Mode Prefix/Suffix Off | KBDCAS3 | 3-22 |
| | *Numeric Keypad Off | KBDNPS0 | 3-23 |
| | Numeric Keypad On | KBDNPS1 | 3-23 |
| Baud Rate | 300 BPS | 232BAD0 | 3-24 |
| | 600 BPS | 232BAD1 | 3-24 |
| | 1200 BPS | 232BAD2 | 3-24 |
| | 2400 BPS | 232BAD3 | 3-24 |
| | 4800 BPS | 232BAD4 | 3-24 |
| | *9600 BPS | 232BAD5 | 3-24 |
| | 19200 BPS | 232BAD6 | 3-24 |
| | 38400 BPS | 232BAD7 | 3-24 |
| | 57600 BPS | 232BAD8 | 3-25 |
| | 115200 BPS | 232BAD9 | 3-25 |

| Selection | Setting <i>* Indicates default</i> | Serial Command <i># Indicates a numeric entry</i> | Page |
|---|--|---|----------------------|
| Word Length: Data Bits, Stop Bits, and Parity | 7 Data, 1 Stop, Parity None | 232WRD0 | 3-25 |
| | 7 Data, 1 Stop, Parity Even | 232WRD3 | 3-25 |
| | 7 Data, 1 Stop, Parity Odd | 232WRD6 | 3-25 |
| | 7 Data, 1 Stop, Parity Space | 232WRD9 | 3-25 |
| | 7 Data, 1 Stop Parity M | 232WRD12 | 3-25 |
| | 7 Data, 2 Stop, Parity None | 232WRD1 | 3-25 |
| | 7 Data, 2 Stop Parity Even | 232WRD4 | 3-25 |
| | 7 Data, 2 Stop, Parity Odd | 232WRD7 | 3-25 |
| | 7 Data, 2 Stop, Parity Space | 232WRD10 | 3-25 |
| | 7 Data, 2 Stop, Parity M | 232WRD13 | 3-25 |
| | *8 Data, 1 Stop, Parity None | 232WRD2 | 3-25 |
| | 8 Data, 1 Stop, Parity Even | 232WRD5 | 3-25 |
| | 8 Data, 1 Stop, Parity Odd | 232WRD8 | 3-25 |
| | 8 Data, 1 Stop, Parity Space | 232WRD11 | 3-25 |
| 8 Data, 1 Stop, Parity M | 232WRD14 | 3-25 | |
| RS232 Receiver Timeout | Range 0 - 65535 ms *0 | 232LPT### | 3-27 |
| RS232 Handshaking | *RTS/CTS Off | 232CTS0 | 3-27 |
| | RTS/CTS Off, RTS Inactive | 232CTS10 | 3-28 |
| | Flow Control, No Timeout | 232CTS1 | 3-28 |
| | Character-Based Flow Control, No Timeout | 232CTS7 | 3-28 |
| | Two-Direction Flow Control | 232CTS2 | 3-28 |
| | Flow Control with Timeout | 232CTS3 | 3-28 |
| | Character-Based Flow Control with Timeout | 232CTS4 | 3-28 |
| | CTS-Based Flow Control, No Timeout | 232CTS5 | 3-28 |
| | RTS On | 232CTS8 | 3-28 |
| | No RTS if CTS is On | 232CTS9 | 3-28 |
| | RS232 Timeout (Range 0 - 65535) *1000 | 232DEL#### | 3-29 |
| | *Host Communications Timeout Beeper Off | HSTTOA0 | 3-29 |
| | Host Communications Timeout Razz | HSTTOA1 | 3-29 |
| | Host Communications Timeout Beep | HSTTOA2 | 3-29 |
| | *XON/XOFF Off | 232XON0 | 3-29 |
| | XON/XOFF On | 232XON1 | 3-29 |
| | *ACK/NAK Off | 232ACK0 | 3-30 |
| | ACK/NAK On | 232ACK1 | 3-30 |
| | Host NAK Retries in ACK/NAK Mode | HSTRTN | 3-30 |
| | Timeout Retries | HSTRTY | 3-31 |
| | Communication Timeout Beeper - Off | HSTTOA0 | 3-31 |
| | *Communication Timeout Beeper - On | HSTTOA1 | 3-31 |
| | NAK Retries (Range 0-255) *0 | HSTRTN### | 3-31 |
| Host Timeout Retries in ACK/NAK Mode | HSTRTY | 3-30 | |

| Selection | Setting <i>* Indicates default</i> | Serial Command <i># Indicates a numeric entry</i> | Page |
|---------------------------------------|--|---|-------------|
| Support BEL/CAN in ACK/NAK | BEL/CAN Mode On | BELCAN1 | 3-31 |
| | BEL/CAN Mode Off* | BELCAN0 | 3-31 |
| | RS232 Defaults | 232DFT | 3-32 |
| NCR Modifiers | | | |
| NCR ACK | *NCR ACK Off | NCRACK0 | 3-32 |
| | NCR ACK On | NCRACK1 | 3-32 |
| NCR Modes | *NCR Scanner Only Mode Off | NCRSOM0 | 3-32 |
| | NCR Scanner Only Mode On | NCRSOM1 | 3-32 |
| | *NCR Scanner Scale Mode Off | NCRSSM0 | 3-33 |
| | NCR Scanner Scale Mode On | NCRSSM1 | 3-33 |
| | NCR Scanner Scale ACK/NAK Off | NCRX300 | 3-33 |
| | *NCR Scanner Scale ACK/NAK On | NCRX301 | 3-33 |
| | *NCR Special Function Mode Off | NCRSFF0 | 3-33 |
| | NCR Special Function Mode On | NCRSFF1 | 3-33 |
| Block Check Character | *Transmit | NCRBCC1 | 3-34 |
| | Don't Transmit | NCRBCC0 | 3-34 |
| NCR Prefix/Suffix | NCR Prefix | NCRPR2## | 3-34 |
| | NCR Suffix | NCRSF2## | 3-34 |
| NCR NOF (Not-on-File) Error | On | NCRRAZ1 | 3-34 |
| | *Off | NCRRAZ0 | 3-35 |
| NCR NOF (Not-on-File) Number of Beeps | Range 0-7 *1 | NCRNOB# | 3-35 |
| Do Not Wait for NCR Weight | *Wait | NCRDNW0 | 3-35 |
| | Do Not Wait | NCRDNW1 | 3-35 |
| NCR Weight Timeout | *NCR Weight Timeout Off | NCRSCL0 | 3-35 |
| | NCR Weight Timeout On | NCRSCL1 | 3-35 |
| | Timeout (Range 0 - 65535ms) *2000 | HSTCTO##### | 3-36 |
| Input/Output Selections | | | |
| Wake Activation | Wake Activation Off | PWRWUP0 | 4-1 |
| | *Wake Activation On | PWRWUP1 | 4-1 |
| Wake Activation Sensitivity | *Far Distance | PWRSEN0 | 4-1 |
| | Close Distance | PWRSEN3 | 4-1 |
| Power Save Mode | Off | PWRMOD0 | 4-2 |
| | Sleep Mode | PWRMOD1 | 4-2 |
| | *Hibernate Mode | PWRMOD2 | 4-2 |
| Power Save Mode Timeout | Power Save Mode Timeout | PWRLPT##### | 4-2 |
| Laser Idle/Sleep State | Idle - Lasers On | PWRLS10 | 4-2 |
| | *Idle - Lasers Off | PWRLS11 | 4-2 |
| | Idle - Lasers Blinking | PWRLS12 | 4-3 |
| | Sleep - Lasers On | PWRLS20 | 4-3 |
| | *Sleep - Lasers Off | PWRLS21 | 4-3 |
| | Sleep - Lasers Blinking | PWRLS22 | 4-3 |

| Selection | Setting <i>* Indicates default</i> | Serial Command <i># Indicates a numeric entry</i> | Page |
|---------------------------|--|---|---------------------|
| Motor Idle/Sleep State | Idle - Motor On | PWRMS10 | 4-3 |
| | *Idle - Motor Off | PWRMS11 | 4-3 |
| | Sleep - Motor On | PWRMS20 | 4-3 |
| | *Sleep - Motor Off | PWRMS21 | 4-3 |
| Power Up Beeper | Power Up Beeper Off | BEPPWR0 | 4-4 |
| | *Power Up Beeper On | BEPPWR1 | 4-4 |
| Button Controls | *Button Click Off | BEPBTN0 | 4-4 |
| | Button Click On | BEPBTN1 | 4-4 |
| F1 Button Control | *Last Scan Repeat Off | BTNRPT0 | 4-5 |
| | Last Scan Repeat On | BTNRPT1 | 4-5 |
| | *EAS Function Off | BTNEAS0 | 4-5 |
| | EAS Function On | BTNEAS1 | 4-5 |
| Sound Button | Volume Adjustment Off | BTNVOL0 | 4-5 |
| | *Volume Adjustment On | BTNVOL1 | 4-5 |
| | *Sound Lock Off | BTNNVL0 | 4-6 |
| | Sound Lock On | BTNNVL1 | 4-6 |
| | Frequency Adjustment Off | BTNTON0 | 4-6 |
| | *Frequency Adjustment On | BTNTON1 | 4-6 |
| | Sleep Mode Off | BTNSLW0 | 4-6 |
| | *Sleep Mode On | BTNSLW1 | 4-6 |
| | Error Condition Off | BTNEOF0 | 4-7 |
| *Error Condition On | BTNEOF1 | 4-7 | |
| Image Capture Button | Customer Imager Control Off | BTNCEN0 | 4-5 |
| | *Customer Imager Control On | BTNCEN1 | 4-5 |
| | Cashier Imager Off | BTNSNI0 | 4-7 |
| | *Cashier Imager On | BTNSNI1 | 4-7 |
| | JPEG Image Quality | IMGJQF### | 4-7 |
| Beep on BEL Character | Beep on BEL On | BELBEP1 | 4-8 |
| | *Beep on BEL Off | BELBEP0 | 4-8 |
| Beeper - Good Read | Off | BEPBEP0 | 4-8 |
| | *On | BEPBEP1 | 4-8 |
| Beeper - Transmit Order | *Before Transmission | BEPWHN1 | 4-9 |
| | After Transmission | BEPWHN2 | 4-9 |
| Beeper Volume - Good Read | Off | BEPLVL0 | 4-9 |
| | Low | BEPLVL1 | 4-9 |
| | Medium | BEPLVL2 | 4-9 |
| | *High | BEPLVL3 | 4-9 |

| Selection | Setting <i>*Indicates default</i> | Serial Command <i># Indicates a numeric entry</i> | Page |
|-------------------------------------|---|---|-------------|
| Beeper Pitch - Good Read | *Tone 1 | BEPCUR1 | 4-9 |
| | Tone 3 | BEPCUR3 | 4-9 |
| | Tone 4 | BEPCUR4 | 4-9 |
| | Tone 5 | BEPCUR5 | 4-9 |
| | Tone 6 | BEPCUR6 | 4-9 |
| | Tone 7 | BEPCUR7 | 4-9 |
| | Tone 8 | BEPCUR8 | 4-9 |
| Beeper Duration - Good Read | *Normal Beep | BEPBIP0 | 4-10 |
| | Short Beep | BEPBIP1 | 4-10 |
| Number of Beeps - Good Read | *1 | BEPRPT1 | 4-10 |
| | Range 1 - 9 | BEPRPT# | 4-10 |
| Beep on EAS Deactivation | *Beep on EAS Deactivation Off | EASBIP0 | 4-11 |
| | Beep on EAS Deactivation On | EASBIP1 | 4-11 |
| Beeper Pitch - Error | *Razz | BEPFQ2100 | 4-11 |
| | Medium Razz | BEPFQ2175 | 4-11 |
| | High Razz | BEPFQ24250 | 4-11 |
| Number of Beeps/LED Flashes - Error | (Range 1 - 9) *1 | BEPERR# | 4-12 |
| Disabled Scanner LED Flash | LED Flash Off | 232CTF0 | 4-12 |
| | *LED Flash On | 232CTF1 | 4-12 |
| Reread Delay | Very Short (400 ms) | DLYRRD400 | 4-12 |
| | *Short (500 ms) | DLYRRD500 | 4-12 |
| | Medium (750 ms) | DLYRRD750 | 4-12 |
| | Long (1000 ms) | DLYRRD1000 | 4-12 |
| | Extra Long (2000 ms) | DLYRRD2000 | 4-12 |
| User-Specified Reread Delay | Range 0 - 30,000 ms | DLYRRD##### | 4-13 |
| 2D Reread Delay | *2D Reread Delay Off | DLY2RR0 | 4-13 |
| | Very Short (800 ms) | DLY2RR800 | 4-13 |
| | Short (1000ms) | DLY2RR1000 | 4-13 |
| | Medium (2000ms) | DLY2RR2000 | 4-13 |
| | Long (3000ms) | DLY2RR3000 | 4-14 |
| | Extra Long (4000ms) | DLY2RR4000 | 4-14 |
| Same Symbol Test | *Same Symbol Test Off | DLYSSP0 | 4-14 |
| | Same Symbol Test On | DLYSSP1 | 4-14 |
| Bar Code Absence Detection | (Range 0-300,000 ms) *0 | DLYDEC##### | 4-14 |
| Character Activation Mode | *Off | HSTCEN0 | 4-15 |
| | On | HSTCEN1 | 4-15 |
| | Activation Character | HSTACH## | 4-15 |
| | Do Not End Character Activation After Good Read | HSTCGD0 | 4-15 |
| | *End Character Activation After Good Read | HSTCGD1 | 4-15 |
| | Character Activation Laser Timeout (Range 1 - 65535) *5000 ms | HSTCDT##### | 4-16 |

| Selection | Setting <i>*Indicates default</i> | Serial Command <i># Indicates a numeric entry</i> | Page |
|--|---|---|-------------|
| Character Deactivation Mode | *Off | HSTDEN0 | 4-16 |
| | On | HSTDEN1 | 4-16 |
| | Deactivation Character | HSTDCH## | 4-16 |
| Output Sequence Editor | Enter Sequence | SEQBLK | 4-18 |
| | Default Sequence | SEQDFT | 4-18 |
| Sequence Timeout | (Range 1 - 65535) *5000 ms | SEQDLY##### | 4-19 |
| Sequence Match Beeper | *On | SEQBEP1 | 4-19 |
| | Off | SEQBEP0 | 4-19 |
| Partial Sequence | Transmit Partial Sequence | SEQTTS1 | 4-19 |
| | *Discard Partial Sequence | SEQTTS0 | 4-19 |
| Require Output Sequence | Required | SEQ_EN2 | 4-20 |
| | On/Not Required | SEQ_EN1 | 4-20 |
| | *Off | SEQ_EN0 | 4-20 |
| No Read | On | SHWNRD1 | 4-20 |
| | *Off | SHWNRD0 | 4-20 |
| Programming the Auxiliary Scanner Interface | | | |
| Scanner to Bioptic Communication | | | |
| Scanner-Bioptic Packet Mode | *Packet Mode Off | 232PKT0 | 5-1 |
| | Packet Mode On | 232PKT2 | 5-1 |
| ACK/NAK | ACK/NAK On | 232ACK1 | 5-1 |
| | *ACK/NAK Off | 232ACK0 | 5-1 |
| Communication Timeout | Range 0 - 65535ms *2000 | 232DLK##### | 5-1 |
| Honeywell Scanner Aux Port Configuration | Honeywell Aux Scanner | AUXDFT | 5-2 |
| Datalogic Magellan Aux Port Configuration | Datalogic Magellan Aux Scanner | AUXMAG | 5-2 |
| NCR Bioptic Aux Port Configuration | NCR Aux Scanner | AUXNCR | 5-2 |
| Wincor Nixdorf Beetle Aux Port Configuration | Wincor Nixdorf Beetle Aux Scanner | AUXBTL | 5-2 |
| Good Read Beep - Aux Scanner | *Good Read Beep - Bioptic and Aux Scanner | AUXBEP1 | 5-3 |
| | Good Read Beep - Aux Scanner | AUXBEP0 | 5-3 |
| Aux Scanner D/E Commands | Use D/E Commands | AUXDEC1 | 5-3 |
| | *Do Not Use D/E Commands | AUXDEC0 | 5-3 |
| Reread Delay Override | *Reread Delay from Aux Scanner | AUXDSS1 | 5-3 |
| | Reread Delay from Bioptic | AUXDSS0 | 5-3 |
| Scale | | | |
| RS232 | Baud Rate/Parity | 232BAD5;2332WR D2 | 6-1 |
| | Single Cable | SCLSG1 | 6-1 |
| | External Scale Display | SCLDSP1 | 6-1 |
| | NCR Protocol English (lbs) - Single Cable | PAP956 | 6-1 |
| | NCR Protocol Metric (kg) - Single Cable | PAP955 | 6-1 |
| | *POS - Don't Beep on Send Weight | NCRBWS0 | 6-2 |
| | POS - Beep on Send Weight | NCRBWS1 | 6-2 |

| Selection | Setting <i>*Indicates default</i> | Serial Command <i># Indicates a numeric entry</i> | Page |
|--|---|---|---------------------|
| RS485 | IBM 3rd Generation 46xx, English (lbs) - Single Cable | PAP960 | 6-2 |
| | IBM 3rd Generation 46xx, Metric (kg) - Single Cable | PAP959 | 6-2 |
| USB | IBM OEM USB English (lbs) - Single Cable | PAP962 | 6-2 |
| | IBM OEM USB Metric (kg) - Single Cable | PAP961 | 6-2 |
| Scale Status Bytes | 2 Bytes | SCNSN22 | 6-3 |
| | *3 Bytes | SCNSN23 | 6-3 |
| Scale Type | *None | SCLTYP0 | 6-3 |
| | Mettler Ariva | SCLTYP1 | 6-3 |
| | Bizerba | SCLTYP3 | 6-3 |
| | Filizola | SCLTYP4 | 6-3 |
| | Herbert | SCLTYP5 | 6-4 |
| | Dibal | SCLTYP6 | 6-4 |
| | Digi Teraoka | SCLTYP7 | 6-4 |
| | Avery FX100 | SCLTYP8 | 6-4 |
| Scale Calibration without Remote Display | Calibrate English (lbs) Single Range | SCACAL2 | 6-8 |
| | *Calibrate Metric (kg) Single Range | SCACAL0 | 6-8 |
| | Calibrate English (lbs) Dual Range | SCACAL3 | 6-8 |
| | Calibrate Metric (kg) Dual Range | SCACAL1 | 6-8 |
| Prefix/Suffix Selections | | | |
| Add CR Suffix to All Symbologies | | VSUF CR | 7-2 |
| Prefix | Add Prefix | PREBK2## | 7-2 |
| | Clear One Prefix | PRECL2 | 7-2 |
| | Clear All Prefixes | PRECA2 | 7-2 |
| Suffix | Add Suffix | SUFBK2## | 7-3 |
| | Clear One Suffix | SUFCL2 | 7-3 |
| | Clear All Suffixes | SUFCA2 | 7-3 |
| Cash Register Code IDs | Datalogic Magellan | CIDMAG | 7-3 |
| | Hallmark | CIDHAL | 7-3 |
| | IBM 1520 | CIDI15 | 7-3 |
| | NCR | CIDNCR | 7-3 |
| | Rochford-Thomson | CIDRTM | 7-3 |
| | Sanyo | CIDSYO | 7-3 |
| | TEC 711 | CIDT71 | 7-3 |
| | TEC MA 1530 | CIDT15 | 7-3 |
| | Wincor Nixdorf | CIDNIX | 7-3 |
| | Wincor Nixdorf Beetle | CIDBTL | 7-3 |
| Function Code Transmit | *Enable | RMVFNC0 | 7-4 |
| | Disable | RMVFNC1 | 7-4 |

| Selection | Setting <i>*Indicates default</i> | Serial Command <i># Indicates a numeric entry</i> | Page |
|-------------------------------------|--|---|----------------------|
| Communication Check Character | *None | HSTXRC0 | 7-5 |
| | LRC Starts on 1st Character | HSTXRC1 | 7-5 |
| | LRC Starts on 2nd Character | HSTXRC2 | 7-5 |
| | CRC | HSTXRC3 | 7-5 |
| Intercharacter Delay | Range 0 - 65535 (1ms increments) | DLYCHR## | 7-5 |
| User Specified Intercharacter Delay | Delay Length Range 0 - 65535 (1ms increments) | DLYCRX## | 7-6 |
| | Character to Trigger Delay | DLY_XX## | 7-6 |
| Interfunction Delay | Range 0 - 65535 (1ms increments) | DLYFNC## | 7-6 |
| Intermessage Delay | Range 0 - 65535 (1ms increments) | DLYMSG## | 7-6 |
| Data Formatter Selections | | | |
| Data Format Editor | *Default Data Format (None) | DFMDF3 | 8-1 |
| | Enter Data Format | DFMBK3## | 8-2 |
| | Clear One Data Format | DFMCL3 | 8-2 |
| | Clear All Data Formats | DFMCA3 | 8-2 |
| Data Formatter | Data Formatter Off | DFM_EN0 | 8-11 |
| | *Data Formatter On, Not Required, Keep Prefix/Suffix | DFM_EN1 | 8-12 |
| | Data Format Required, Keep Prefix/Suffix | DFM_EN2 | 8-12 |
| | Data Formatter On, Not Required, Drop Prefix/Suffix | DFM_EN3 | 8-12 |
| | Data Format Required, Drop Prefix/Suffix | DFM_EN4 | 8-12 |
| Data Format Non-Match Error Tone | *Data Format Non-Match Error Tone On | DFMDEC0 | 8-12 |
| | Data Format Non-Match Error Tone Off | DFMDEC1 | 8-12 |
| Primary/Alternate Data Formats | Primary Data Format | ALTFNM0 | 8-13 |
| | Data Format 1 | ALTFNM1 | 8-13 |
| | Data Format 2 | ALTFNM2 | 8-13 |
| | Data Format 3 | ALTFNM3 | 8-13 |
| Single Scan Data Format Change | Single Scan-Primary Data Format | VSAF_0 | 8-13 |
| | Single Scan-Data Format 1 | VSAF_1 | 8-13 |
| | Single Scan-Data Format 2 | VSAF_2 | 8-13 |
| | Single Scan-Data Format 3 | VSAF_3 | 8-13 |
| Symbologies | | | |
| All Symbologies | All Symbologies Off | ALLENA0 | 9-1 |
| | All Symbologies On | ALLENA1 | 9-1 |
| Codabar | Default All Codabar Settings | CBRDFT | 9-2 |
| | *Off | CBRENA0 | 9-2 |
| | On | CBRENA1 | 9-2 |

| Selection | Setting <i>*Indicates default</i> | Serial Command <i># Indicates a numeric entry</i> | Page |
|-----------------------------------|---|---|-------------|
| Codabar Start/Stop Char. | *Don't Transmit | CBRSSX0 | 9-2 |
| | Transmit | CBRSSX1 | 9-2 |
| Codabar Check Char. | *No Check Char. | CBRCK20 | 9-3 |
| | Validate, But Don't Transmit | CBRCK21 | 9-3 |
| | Validate, and Transmit | CBRCK22 | 9-3 |
| Codabar Concatenation | *Off | CBRCCT0 | 9-3 |
| | On | CBRCCT1 | 9-3 |
| | Require | CBRCCT2 | 9-3 |
| Codabar Redundancy | Range (0 - 10) *0 | CBRVOT## | 9-4 |
| Codabar Message Length | Minimum (1 - 80) *3 | CBRMIN## | 9-4 |
| | Maximum (1 - 80) *80 | CBRMAX## | 9-4 |
| Code 39 | Default All Code 39 Settings | C39DFT | 9-5 |
| | *Off | C39ENA0 | 9-5 |
| | On | C39ENA1 | 9-5 |
| Code 39 Start/Stop Char. | *Don't Transmit | C39SSX0 | 9-5 |
| | Transmit | C39SSX1 | 9-5 |
| Code 39 Check Char. | *No Check Char. | C39CK20 | 9-5 |
| | Validate, But Don't Transmit | C39CK21 | 9-6 |
| | Validate, and Transmit | C39CK22 | 9-6 |
| Code 39 Message Length | Minimum (0 - 80) *3 | C39MIN## | 9-6 |
| | Maximum (0 - 80) *80 | C39MAX## | 9-6 |
| Code 39 Redundancy | Range (0 - 10) *0 | C39VOT## | 9-6 |
| Code 32 Pharmaceutical (PARAF) | *Off | C39B320 | 9-7 |
| | On | C39B321 | 9-6 |
| Code 39 Full ASCII | *Off | C39ASC0 | 9-7 |
| | On | C39ASC1 | 9-7 |
| | Code 39 Code Page | C39DCP | 9-8 |
| Interleaved 2 of 5 | Default All Interleaved 2 of 5 Settings | I25DFT | 9-8 |
| | *Off | I25ENA0 | 9-8 |
| | On | I25ENA1 | 9-8 |
| NULL Characters | *Off | I25NUL0 | 9-8 |
| | On | I25NUL1 | 9-8 |
| Interleaved 2 of 5 Check Digit | *No Check Char. | I25CK20 | 9-9 |
| | Validate, But Don't Transmit | I25CK21 | 9-9 |
| | Validate, and Transmit | I25CK22 | 9-9 |
| Interleaved 2 of 5 Redundancy | Range (0 - 10) *0 | I25VOT## | 9-9 |
| Interleaved 2 of 5 Message Length | Minimum (1 - 80) *6 | I25MIN## | 9-9 |
| | Maximum (1 - 80) *80 | I25MAX## | 9-9 |

| Selection | Setting <i>*Indicates default</i> | Serial Command <i># Indicates a numeric entry</i> | Page |
|---|---|---|-------------|
| NEC 2 of 5 | Default All NEC 2 of 5 Settings | N25DFT | 9-10 |
| | *Off | N25ENA0 | 9-10 |
| | On | N25ENA1 | 9-10 |
| NEC 2 of 5 Check Digit | *No Check Char. | N25CK20 | 9-10 |
| | Validate, But Don't Transmit | N25CK21 | 9-10 |
| | Validate, and Transmit | N25CK22 | 9-10 |
| NEC 2 of 5 Redundancy | Range (0 - 10) *0 | N25VOT## | 9-11 |
| NEC 2 of 5 Message Length | Minimum (1 - 80) *6 | N25MIN## | 9-11 |
| | Maximum (1 - 80) *80 | N25MAX## | 9-11 |
| Code 93 | Default All Code 93 Settings | C93DFT | 9-11 |
| | *Off | C93ENA0 | 9-11 |
| | On | C93ENA1 | 9-11 |
| Code 93 Redundancy | Range (0 - 10) *0 | C93VOT## | 9-12 |
| Code 93 Message Length | Minimum (1 - 80) *3 | C93MIN## | 9-12 |
| | Maximum (1 - 80) *80 | C93MAX## | 9-12 |
| Code 93 Code Page | Code 93 Code Page | C93DCP | 9-12 |
| Straight 2 of 5 Industrial | Default All Straight 2 of 5 Industrial Settings | R25DFT | 9-13 |
| | *Off | R25ENA0 | 9-13 |
| | On | R25ENA1 | 9-13 |
| Straight 2 of 5 Industrial Redundancy | Range (0 - 10) *0 | R25VOT## | 9-13 |
| Straight 2 of 5 Industrial Message Length | Minimum (1 - 80) *6 | R25MIN## | 9-13 |
| | Maximum (1 - 80) *80 | R25MAX## | 9-13 |
| Straight 2 of 5 IATA | Default All Straight 2 of 5 IATA Settings | A25DFT | 9-14 |
| | *Off | A25ENA0 | 9-14 |
| | On | A25ENA1 | 9-14 |
| Straight 2 of 5 IATA Redundancy | Range (0 - 10) *0 | A25VOT## | 9-14 |
| Straight 2 of 5 IATA Message Length | Minimum (1 - 80) *6 | A25MIN## | 9-14 |
| | Maximum (1 - 80) *15 | A25MAX## | 9-14 |
| Matrix 2 of 5 | Default All Matrix 2 of 5 Settings | X25DFT | 9-15 |
| | *Off | X25ENA0 | 9-15 |
| | On | X25ENA1 | 9-15 |
| Matrix 2 of 5 Check Digit | *No Check Digit | X25CK20 | 9-15 |
| | Validate, But Don't Transmit | X25CK21 | 9-15 |
| | Validate, and Transmit | X25CK22 | 9-15 |
| Matrix 2 of 5 Redundancy | Range (0 - 10) *0 | X25VOT## | 9-16 |
| Matrix 2 of 5 Message Length | Minimum (1 - 80) *6 | X25MIN## | 9-16 |
| | Maximum (1 - 80) *80 | X25MAX## | 9-16 |

| Selection | Setting <i>* Indicates default</i> | Serial Command <i># Indicates a numeric entry</i> | Page |
|--|---|---|-------------|
| Code 11 | Default All Code 11 Settings | C11DFT | 9-17 |
| | *Off | C11ENA0 | 9-17 |
| | On | C11ENA1 | 9-17 |
| Code 11 Check Digits Required | 1 Check Digit | C11CK20 | 9-17 |
| | *2 Check Digits | C11CK21 | 9-17 |
| Check Digit Validation | Validate and Transmit One Check Digit | C11CK23 | 9-17 |
| | Validate and Transmit Two Check Digits | C11CK24 | 9-17 |
| Code 11 Redundancy | Range (0 - 10) *0 | C11VOT## | 9-18 |
| Code 11 Message Length | Minimum (1 - 80) *3 | C11MIN## | 9-18 |
| | Maximum (1 - 80) *80 | C11MAX## | 9-18 |
| Code 128 | Default All Code 128 Settings | 128DFT | 9-19 |
| | Off | 128ENA0 | 9-19 |
| | *On | 128ENA1 | 9-19 |
| 128 Group Separator Output | *Off | 128GSE0 | 9-19 |
| | On | 128GSE1 | 9-19 |
| Code 128 Redundancy | Range (0 - 10) *0 | 128VOT## | 9-19 |
| Code 128 Message Length | Minimum (0 - 80) *3 | 128MIN## | 9-20 |
| | Maximum (0 - 80) *80 | 128MAX## | 9-20 |
| Code 128 Code Page | Code 128 Code Page (*2) | 128DCP## | 9-20 |
| ISBT 128 | *Off | ISBENA0 | 9-20 |
| | On | ISBENA1 | 9-20 |
| | Concatenation Timeout | DLYCCT | 9-21 |
| ISBT128 Predefined Concatenation Sequences | * Donation ID Number (001) and ABO/RhD Blood Groups (002) | ISBPCS0 | 9-21 |
| | Donation ID Number (001) and Donor ID Number (019) | ISBPCS1 | 9-21 |
| | Donation ID Number (001) and Confidential Unit Exclusion Status | ISBPCS2 | 9-21 |
| | Product Code (003) and Expiration Date (Form 1) | ISBPCS3 | 9-21 |
| | Product Code (003) and Expiration Date (Form 2) | ISBPCS4 | 9-22 |
| | Product Code (003) and Expiration Date (Form 3) | ISBPCS5 | 9-22 |
| | Product Code (003) and Expiration Date (Form 4) | ISBPCS6 | 9-21 |
| ISBT 128 Predefined Concatenation Sequences On/Off | *Off | ISBPCE0 | 9-22 |
| | Allow Predefined Sequence | ISBPCE1 | 9-22 |
| | Require Predefined Sequence | ISBPCE2 | 9-22 |

| Selection | Setting <i>* Indicates default</i> | Serial Command <i># Indicates a numeric entry</i> | Page |
|--|--|---|----------------------|
| ISBT 128 User-Defined Concatenation Sequences | 1st Left Identifier (0-255) *0 | ISBUL1## | 9-23 |
| | 2nd Left Identifier (0-255) *0 | ISBUL2## | 9-23 |
| | 1st Right Identifier (0-255) *0 | ISBUR1## | 9-23 |
| | 2nd Right Identifier (0-255) *0 | ISBUR2## | 9-23 |
| ISBT 128 User-Defined Concatenation Sequences On/Off | *Off | ISBUCE0 | 9-24 |
| | Allow User-Defined Sequence | ISBUCE1 | 9-24 |
| | Require User-Defined Sequence | ISBUCE2 | 9-24 |
| Content Verification | *Off | ISBXM00 | 9-24 |
| | On | ISBXM01 | 9-24 |
| Transmit Identifiers | Off | ISBXM10 | 9-25 |
| | *On | ISBXM11 | 9-24 |
| Flag Conversion | *Off | ISBXM20 | 9-25 |
| | On | ISBXM21 | 9-25 |
| GS1-128 | Default All GS1-128 Settings | GS1DFT | 9-26 |
| | On | GS1ENA1 | 9-26 |
| | *Off | GS1ENA0 | 9-26 |
| GS1-128 Application Identifier Parsing | *Off | GS1EMU0 | 9-26 |
| | Transmit Without Identifiers | GS1EMU1 | 9-26 |
| | Transmit With Identifiers | GS1EMU2 | 9-26 |
| GS1-128 Redundancy | Range (0 - 10) *0 | GS1VOT## | 9-27 |
| GS1-128 Message Length | Minimum (1 - 80) *3 | GS1MIN | 9-27 |
| | Maximum (1 - 80) *80 | GS1MAX | 9-27 |
| Telepen | Default All Telepen Settings | TELDFT | 9-28 |
| | *Off | TELENA0 | 9-28 |
| | On | TELENA1 | 9-28 |
| Telepen Output | *AIM Telepen Output | TELOLD0 | 9-28 |
| | Original Telepen Output | TELOLD1 | 9-28 |
| Telepen Redundancy | Range (0 - 10) *0 | TELVOT## | 9-28 |
| Telepen Message Length | Minimum (1 - 80) *3 | TELMIN## | 9-29 |
| | Maximum (1 - 80) *80 | TELMAX## | 9-29 |
| UPC-A | Default All UPC-A Settings | UPADFT | 9-29 |
| | Off | UPBENA0 | 9-30 |
| | *On | UPBENA1 | 9-29 |
| UPC-A Check Digit | Off | UPACKX0 | 9-29 |
| | *On | UPACKX1 | 9-29 |
| UPC-A Number System | Off | UPANSX0 | 9-30 |
| | *On | UPANSX1 | 9-30 |
| UPC-A 2 Digit Addenda | *Off | UPAAD20 | 9-30 |
| | On | UPAAD21 | 9-30 |
| UPC-A 5 Digit Addenda | *Off | UPAAD50 | 9-30 |
| | On | UPAAD51 | 9-30 |

| Selection | Setting <i>* Indicates default</i> | Serial Command <i># Indicates a numeric entry</i> | Page |
|--|--|---|-------------|
| UPC-A Addenda Required | *Not Required | UPAARQ0 | 9-31 |
| | Required | UPAARQ1 | 9-31 |
| UPC-A Addenda Separator | *Off | UPAADS0 | 9-31 |
| | On | UPAADS1 | 9-31 |
| UPC-A Redundancy | Range (0 - 10) *0 | UPAVOT## | 9-31 |
| UPC/EAN Addenda Redundancy | 2-Digit Addenda Redundancy Range (0 - 10) *2 | AD2VOT## | 9-31 |
| | 5-Digit Addenda Redundancy Range (0 - 10) *1 | AD5VOT## | 9-31 |
| UPC-A/EAN-13 with Extended Coupon Code | *Off | CPNENA0 | 9-32 |
| | Allow Concatenation | CPNENA1 | 9-32 |
| | Require Concatenation | CPNENA2 | 9-32 |
| UPC-A Number System 4 Addenda Required | *Don't Require Coupon Code | ARQSY40 | 9-33 |
| | Require Coupon Code | ARQSY41 | 9-33 |
| UPC-A Number System 5 Addenda Required | *Don't Require Coupon Code/Addenda | ARQSY50 | 9-33 |
| | Require 2 Digit Addenda | ARQSY51 | 9-33 |
| | Require 5 Digit Addenda | ARQSY52 | 9-33 |
| | Require 2 or 5 Digit Addenda | ARQSY53 | 9-33 |
| | Require Coupon Code | ARQSY54 | 9-34 |
| | Require Coupon Code or 2 Digit Addenda | ARQSY55 | 9-34 |
| | Require Coupon Code or 5 Digit Addenda | ARQSY56 | 9-34 |
| | Require Coupon Code, 2 Digit Addenda, or 5 Digit Addenda | ARQSY57 | 9-34 |
| Coupon GS1 DataBar Output | Addenda Timeout | DLYADD##### | 9-34 |
| | GS1 Output Off | CPNGS10 | 9-34 |
| | GS1 Output On | CPNGS11 | 9-35 |
| In-Store Printed Bar Codes | *Stitching On | EANDNS1 | 9-35 |
| | Stitching Off | EANDNS0 | 9-35 |
| | Framing On | EANFRM1 | 9-35 |
| | *Framing Off | EANFRM0 | 9-35 |
| | *Redundancy Off | EANISR0 | 9-36 |
| | 1X Redundancy | EANISR1 | 9-36 |
| | 2X Redundancy | EANISR2 | 9-36 |
| | 3X Redundancy | EANISR3 | 9-36 |
| | 4X Redundancy | EANISR4 | 9-36 |
| UPC/EAN Security | Minimum | EANSEC0 | 9-36 |
| | Low | EANSEC1 | 9-36 |
| | Medium Low | EANSEC2 | 9-36 |
| | *Medium | EANSEC3 | 9-36 |
| | Medium High | EANSEC4 | 9-36 |
| | High | EANSEC5 | 9-36 |

| Selection | Setting <i>* Indicates default</i> | Serial Command <i># Indicates a numeric entry</i> | Page |
|--|--|---|----------------------|
| UPC-E0 | Default All UPC-E Settings | UPEDFT | 9-37 |
| | Off | UPEEN00 | 9-37 |
| | *On | UPEEN01 | 9-37 |
| UPC-E0 Expand | *Off | UPEEXP0 | 9-38 |
| | On | UPEEXP1 | 9-37 |
| UPC-E0 Number System | *On | UPEEXN1 | 9-39 |
| | Off | UPEEXN0 | 9-38 |
| UPC-E0 Addenda Required | Required | UPEARQ1 | 9-38 |
| | *Not Required | UPEARQ0 | 9-38 |
| UPC-E0 Addenda Separator | *On | UPEADS1 | 9-38 |
| | Off | UPEADS0 | 9-38 |
| UPC-E0 Check Digit | *Off | UPECKX0 | 9-38 |
| | On | UPECKX1 | 9-38 |
| UPC-E0 Number System | *Off | UPENSX0 | 9-39 |
| | On | UPENSX1 | 9-39 |
| UPC-E0 Addenda | 2 Digit Addenda On | UPEAD21 | 9-39 |
| | *2 Digit Addenda Off | UPEAD20 | 9-39 |
| | 5 Digit Addenda On | UPEAD51 | 9-39 |
| | *5 Digit Addenda Off | UPEAD50 | 9-39 |
| UPC-E0 Redundancy | Range (0 - 10) *1 | UPEVOT## | 9-40 |
| UPC/EAN Addenda Redundancy | 2-Digit Addenda Redundancy Range (0 - 10) *2 | AD2VOT## | 9-40 |
| | 5-Digit Addenda Redundancy Range (0 - 10) *1 | AD5VOT## | 9-40 |
| EAN/JAN-13 | Default All EAN/JAN Settings | E13DFT | 9-41 |
| | Off | E13ENA0 | 9-41 |
| | *On | E13ENA1 | 9-41 |
| Convert UPC-A to EAN-13 | UPC-A Converted to EAN-13 | UPAENA0 | 9-41 |
| | *Do not Convert UPC-A | UPAENA1 | 9-41 |
| EAN/JAN-13 Check Digit | Off | E13CKX0 | 9-41 |
| | *On | E13CKX1 | 9-41 |
| EAN/JAN-13 Addenda | 2 Digit Addenda On | E13AD21 | 9-42 |
| | *2 Digit Addenda Off | E13AD20 | 9-42 |
| | 5 Digit Addenda On | E13AD51 | 9-42 |
| | *5 Digit Addenda Off | E13AD50 | 9-42 |
| EAN/JAN-13 Addenda Required | *Not Required | E13ARQ0 | 9-42 |
| | Required | E13ARQ1 | 9-42 |
| EAN-13 Beginning with 2 Addenda Required | * Don't Require 2 Digit Addenda | ARQSY20 | 9-42 |
| | Require 2 Digit Addenda | ARQSY21 | 9-42 |
| EAN-13 Beginning with 290 Addenda Required | * Don't Require 5 Digit Addenda | ARQ2900 | 9-43 |
| | Require 5 Digit Addenda | ARQ2901 | 9-43 |

| Selection | Setting <i>* Indicates default</i> | Serial Command <i># Indicates a numeric entry</i> | Page |
|--|---|---|----------------------|
| EAN-13 Beginning with 378/379 Addenda Required | * Don't Require Addenda | ARQ3780 | 9-43 |
| | Require 2 Digit Addenda | ARQ3781 | 9-43 |
| | Require 5 Digit Addenda | ARQ3782 | 9-43 |
| | Require 2 or 5 Digit Addenda | ARQ3783 | 9-43 |
| EAN-13 Beginning with 414/419 Addenda Required | * Don't Require Addenda | ARQ4140 | 9-44 |
| | Require 2 Digit Addenda | ARQ4141 | 9-44 |
| | Require 5 Digit Addenda | ARQ4142 | 9-44 |
| | Require 2 or 5 Digit Addenda | ARQ4143 | 9-44 |
| EAN-13 Beginning with 434/439 Addenda Required | * Don't Require Addenda | ARQ4340 | 9-45 |
| | Require 2 Digit Addenda | ARQ4341 | 9-44 |
| | Require 5 Digit Addenda | ARQ4342 | 9-44 |
| | Require 2 or 5 Digit Addenda | ARQ4343 | 9-44 |
| EAN-13 Beginning with 977 Addenda Required | * Don't Require 2 Digit Addenda | ARQ9770 | 9-45 |
| | Require 2 Digit Addenda | ARQ9771 | 9-45 |
| EAN-13 Beginning with 978 Addenda Required | * Don't Require 5 Digit Addenda | ARQ9780 | 9-46 |
| | Require 5 Digit Addenda | ARQ9781 | 9-46 |
| EAN-13 Beginning with 979 Addenda Required | * Don't Require 5 Digit Addenda | ARQ9790 | 9-46 |
| | Require 5 Digit Addenda | ARQ9791 | 9-46 |
| Addenda Timeout | Range (0 - 65535) *100 | DLYADD##### | 9-47 |
| EAN/JAN-13 Addenda Separator | *Off | E13ADS0 | 9-47 |
| | On | E13ADS1 | 9-47 |
| EAN/JAN-13 Redundancy | Range (0 - 10) *0 | E13VOT## | 9-48 |
| UPC/EAN Addenda Redundancy | 2-Digit Addenda Redundancy Range (0 - 10) *2 | AD2VOT## | 9-48 |
| | 5-Digit Addenda Redundancy Range (0 - 10) *1 | AD5VOT## | 9-48 |
| ISBN Translate | *Off | E13ISB0 | 9-48 |
| | On | E13ISB1 | 9-48 |
| | Convert to 13-Digit On | E13I131 | 9-48 |
| | *Convert to 13-Digit Off | E13I130 | 9-49 |
| | Reformat On | E13IBR1 | 9-49 |
| | *Reformat Off | E13IBR0 | 9-50 |
| ISSN Translate | *Off | E13ISS0 | 9-49 |
| | On | E13ISS1 | 9-49 |
| | Reformat On | E13ISR1 | 9-49 |
| | *Reformat Off | E13ISR0 | 9-50 |
| EAN/JAN-8 | Default All EAN/ JAN 8 Settings | EA8DFT | 9-50 |
| | Off | EA8ENA0 | 9-50 |
| | *On | EA8ENA1 | 9-50 |
| EAN/JAN-8 Check Digit | Off | EA8CKX0 | 9-50 |
| | *On | EA8CKX1 | 9-50 |

| Selection | Setting <i>* Indicates default</i> | Serial Command <i># Indicates a numeric entry</i> | Page |
|-----------------------------|--|---|----------------------|
| EAN/JAN-8 Addenda | *2 Digit Addenda Off | EA8AD20 | 9-51 |
| | 2 Digit Addenda On | EA8AD21 | 9-50 |
| | *5 Digit Addenda Off | EA8AD50 | 9-51 |
| | 5 Digit Addenda On | EA8AD51 | 9-51 |
| EAN/JAN-8 Addenda Required | *Not Required | EA8ARQ0 | 9-51 |
| | Required | EA8ARQ1 | 9-51 |
| EAN/JAN-8 Addenda Separator | *Off | EA8ADS0 | 9-51 |
| | On | EA8ADS1 | 9-51 |
| EAN/JAN-8 Redundancy | Range (0 - 10) *0 | EA8VOT## | 9-52 |
| UPC/EAN Addenda Redundancy | 2-Digit Addenda Redundancy Range (0 - 10) *2 | AD2VOT## | 9-52 |
| | 5-Digit Addenda Redundancy Range (0 - 10) *1 | AD5VOT## | 9-52 |
| MSI | Default All MSI Settings | MSIDFT | 9-53 |
| | *Off | MSIENA0 | 9-53 |
| | On | MSIENA1 | 9-53 |
| MSI Check Character | *Validate Type 10, but Don't Transmit | MSICHK0 | 9-53 |
| | Validate Type 10 and Transmit | MSICHK1 | 9-53 |
| | Validate 2 Type 10 Chars, but Don't Transmit | MSICHK2 | 9-53 |
| | Validate 2 Type 10 Chars and Transmit | MSICHK3 | 9-53 |
| | Validate Type 10 then Type 11 Char, but Don't Transmit | MSICHK4 | 9-54 |
| | Validate Type 10 then Type 11 Char and Transmit | MSICHK5 | 9-54 |
| | Disable MSI Check Characters | MSICHK6 | 9-54 |
| MSI Redundancy | Range (0 - 10) *0 | MSIVOT## | 9-54 |
| MSI Message Length | Minimum (1 - 80) *3 | MSIMIN## | 9-54 |
| | Maximum (1 - 80) *80 | MSIMAX## | 9-54 |
| Plessey Code | Default All Plessey Code Settings | PLSDFT | 9-55 |
| | *Off | PLSENA0 | 9-55 |
| | On | PLSENA1 | 9-55 |
| Plessey Check Char. | *No Check Char. | PLSCHK0 | 9-55 |
| | Validate, But Don't Transmit | PLSCHK1 | 9-55 |
| | Validate, and Transmit | PLSCHK2 | 9-55 |
| Plessey Redundancy | Range (0 - 10) *0 | PLSVOT## | 9-56 |
| Plessey Message Length | Minimum (1 - 80) *3 | PLSMIN## | 9-56 |
| | Maximum (1 - 80) *80 | PLSMAX## | 9-56 |

| Selection | Setting <i>*Indicates default</i> | Serial Command <i># Indicates a numeric entry</i> | Page |
|--|---|---|-------------|
| GS1 DataBar Omnidirectional | Default All GS1 DataBar Omnidirectional Settings | RSSDFT | 9-56 |
| | Off | RSSENA0 | 9-56 |
| | *On | RSSENA1 | 9-56 |
| GS1 DataBar Omnidirectional Redundancy | Range (0 - 10) *0 | RSSVOT## | 9-57 |
| GS1 DataBar Limited | Default All GS1 DataBar Limited Settings | RSLDFT | 9-57 |
| | Off | RSLENA0 | 9-57 |
| | *On | RSLENA1 | 9-57 |
| GS1 DataBar Limited Redundancy | Range (0 - 10) *0 | RSLVOT## | 9-57 |
| GS1 DataBar Expanded | Default All GS1 DataBar Expanded Settings | RSEDFT | 9-58 |
| | Off | RSEENA0 | 9-58 |
| | *On | RSEENA1 | 9-58 |
| GS1 DataBar Expanded Redundancy | Range (0 - 10) *0 | RSEVOT## | 9-58 |
| GS1 DataBar Expanded Msg. Length | Minimum (1 - 80) *3 | RSEMIN## | 9-58 |
| | Maximum (1 - 80) *80 | RSEMAX## | 9-58 |
| Coupon Code Settings | | | |
| GS1 DataBar Expanded Coupons With AI (8110) | On | RSEAIW1 | 9-58 |
| | *Off | RSEAIW0 | 9-58 |
| GS1 DataBar Expanded Coupons Without AI (8110) | On | RSEAI01 | 9-59 |
| | *Off | RSEAI00 | 9-59 |
| GS1 DataBar Expanded Coupon Preferred Mode | On | RSEPRF1 | 9-59 |
| | *Off | RSEPRF0 | 9-59 |
| Coupon GS1 DataBar Output | GS1 Output Off | CPNGS10 | 9-60 |
| | GS1 Output On | CPNGS11 | 9-60 |
| In-Store Printed Bar Codes | *Stitching On | EANDNS1 | 9-60 |
| | Stitching Off | EANDNS0 | 9-60 |
| | Framing On | EANFRM1 | 9-61 |
| | *Framing Off | EANFRM0 | 9-61 |
| | *Redundancy Off | EANISR0 | 9-61 |
| | 1X Redundancy | EANISR1 | 9-61 |
| | 2X Redundancy | EANISR2 | 9-61 |
| | 3X Redundancy | EANISR3 | 9-61 |
| Trioptic Code | *Off | TRIENA0 | 9-62 |
| | On | TRIENA1 | 9-62 |
| Codablock A | Default All Codablock A Settings | CBADFT | 9-62 |
| | *Off | CBAENA0 | 9-62 |
| | On | CBAENA1 | 9-62 |
| Codablock A Msg. Length | Minimum (1 - 600) *1 | CBAMIN#### | 9-62 |
| | Maximum (1 - 600) *600 | CBAMAX#### | 9-62 |

| Selection | Setting <i>*Indicates default</i> | Serial Command <i># Indicates a numeric entry</i> | Page |
|---------------------------------|---|---|----------------------|
| Codablock F | Default All Codablock F Settings | CBFDFT | 9-62 |
| | *Off | CBFENA0 | 9-63 |
| | On | CBFENA1 | 9-63 |
| Codablock F Msg. Length | Minimum (1 - 2048) *1 | CBFMIN#### | 9-63 |
| | Maximum (1 - 2048) *2048 | CBFMAX#### | 9-63 |
| PDF417 | Default All PDF417 Settings | PDFDFT | 9-64 |
| | On | PDFENA1 | 9-64 |
| | *Off | PDFENA0 | 9-64 |
| PDF417 Msg. Length | Minimum (1-2750) *1 | PDFMIN | 9-64 |
| | Maximum (1-2750) *2750 | PDFMAX | 9-64 |
| MacroPDF417 | On | PDFMAC1 | 9-64 |
| | *Off | PDFMAC0 | 9-64 |
| MicroPDF417 | Default All Micro PDF417 Settings | MPDDFT | 9-65 |
| | On | MPDENA1 | 9-65 |
| | *Off | MPDENA0 | 9-65 |
| MicroPDF417 Msg. Length | Minimum (1-366) *1 | MPDMIN | 9-65 |
| | Maximum (1-366) *366 | MPDMAX | 9-65 |
| GS1 Composite Codes | On | COMENA1 | 9-65 |
| | *Off | COMENA0 | 9-66 |
| UPC/EAN Version | On | COMUPC1 | 9-66 |
| | *Off | COMUPC0 | 9-66 |
| GS1 Composite Codes Msg. Length | Minimum (1-2435) *1 | COMMIN | 9-66 |
| | Maximum (1-2435) *2435 | COMMAX | 9-66 |
| GS1 Emulation | GS1-128 Emulation | EANEMU1 | 9-67 |
| | GS1 DataBar Emulation | EANEMU2 | 9-67 |
| | GS1 Code Expansion Off | EANEMU3 | 9-67 |
| | EAN8 to EAN13 Conversion | EANEMU4 | 9-67 |
| | *GS1 Emulation Off | EANEMU0 | 9-67 |
| TCIF Linked Code 39 | On | T39ENA1 | 9-67 |
| | *Off | T39ENA0 | 9-67 |
| QR Code | Default All QR Code Settings | QRCDFT | 9-72 |
| | On | QRCENA1 | 9-68 |
| | *Off | QRCENA0 | 9-68 |
| QR Code Msg. Length | Minimum (1-7089) *1 | QRCCMIN | 9-68 |
| | Maximum (1-7089) *7089 | QRCCMAX | 9-68 |
| QR Code Append | *On | QRCAPP1 | 9-68 |
| | Off | QRCAPP0 | 9-69 |
| Data Matrix | Default All Data Matrix Settings | IDMDFT | 9-69 |
| | *On | IDMENA1 | 9-69 |
| | Off | IDMENA0 | 9-69 |
| Data Matrix Msg. Length | Minimum (1-3116) *1 | IDMMIN | 9-69 |
| | Maximum (1-3116) *3116 | IDMMAX | 9-69 |

| Selection | Setting <i>* Indicates default</i> | Serial Command <i># Indicates a numeric entry</i> | Page |
|---|---|--|------|
| Data Matrix Append | *On | IDMAPP1 | 9-70 |
| | Off | IDMAPP0 | 9-70 |
| MaxiCode | Default All MaxiCode Settings | MAXDFT | 9-70 |
| | On | MAXENA1 | 9-70 |
| | *Off | MAXENA0 | 9-70 |
| MaxiCode Msg. Length | Minimum (1-150) *1 | MAXMIN | 9-70 |
| | Maximum (1-150) *150 | MAXMAX | 9-71 |
| Aztec Code | Default All Aztec Code Settings | AZTDFT | 9-71 |
| | *On | AZTENA1 | 9-71 |
| | Off | AZTENA0 | 9-71 |
| Aztec Code Msg. Length | Minimum (1-3832) *1 | AZTMIN | 9-71 |
| | Maximum (1-3832) *3832 | AZTMAX | 9-71 |
| Aztec Append | *On | AZTAPP1 | 9-72 |
| | Off | AZTAPP0 | 9-72 |
| Chinese Sensible (Han Xin) Code | Default All Han Xin Code Settings | HX_DFT | 9-72 |
| | On | HX_ENA1 | 9-72 |
| | *Off | HX_ENA0 | 9-72 |
| Chinese Sensible (Han Xin) Code Msg. Length | Minimum (1-7833) *1 | HX_MIN | 9-72 |
| | Maximum (1-7833) *7833 | HX_MAX | 9-73 |
| EAS Settings | | | |
| Programming the EAS Interface | GPIO Checkpoint | PAPCP1 | 10-3 |
| | GPIO Sensormatic | PAPSM1 | 10-3 |
| | RS232 Sensormatic | PAPSM2 | 10-3 |
| EAS Controller | *Off | EASTYP0 | 10-4 |
| | Checkpoint Systems | EASTYP2 | 10-4 |
| | NEDAP | EASTYP3 | 10-4 |
| | Gateway Security | EASTYP4 | 10-4 |
| | Sensormatic AMB9010 | EASTYP1 | 10-4 |
| | Sensormatic ScanMaxPro | EASTYP5 | 10-4 |
| EAS Interface | *GPIO | EASINF0 | 10-5 |
| | RS232 | EASINF1 | 10-5 |
| | USB | EASINF2 | 10-5 |
| EAS Mode of Operation | *Interlocked | EASMOD0 | 10-5 |
| | Continuous on Enable | EASMOD1 | 10-5 |
| | Continuous | EASMOD2 | 10-5 |
| EAS Interlocked Duration Timeout | EASTIM (0 - 65535) *4000 ms | EASTIM##### | 10-5 |
| EAS Tag Detection | * EAS Tag Detection Off | EASGGR0 | 10-6 |
| | EAS Tag Detection On | EASGGR0 | 10-6 |
| Utilities | | | |
| | Add Code I.D. Prefix to All Symbolologies (Temporary) | PRECA2;PREBK2 995C80! | 12-1 |
| | Show Software Revision | REVINF | 12-1 |

| Selection | Setting <i>* Indicates default</i> | Serial Command <i># Indicates a numeric entry</i> | Page |
|---|---|---|----------------------|
| | Show Data Format | DFMBK3? | 12-1 |
| Test Menu | On | TSTMNU1 | 12-1 |
| | Off | TSTMNU0 | 12-1 |
| <i>Auxiliary Honeywell Scanner Configuration Codes</i> | | | |
| RS-232 | Xenon 1900/1910, 1902/1912 Granit 1910i/1911i, 1280i Voyager 1200g, 1202g, 1400g Vuquest 3310g | PAPBIO | B-1 |
| USB Serial | Xenon 1900/1910, 1902/1912 Granit 1910i/1911i Voyager 1400g Vuquest 3310g | TRMUSB130 | B-1 |
| | Voyager 1200g/1202g | REMIFC0;PAP130 | B-1 |



Product Specifications

Stratos Bioptic Scanner/Scale Product Specifications

| Parameter | Specification |
|--|--|
| Model 2753 Dimensions (Typical): | |
| Height | 11.1 inches (28.2cm) |
| Length | 20 inches (50.8cm) |
| Width | 11.5 inches (7.1cm) |
| Weight: | |
| Without Scale | 17.85 lbs. (8.1kg) |
| With Scale | 23.85 lbs. (10.8kg) |
| Model 2752 Dimensions (Typical): | |
| Height | 11.1 inches (28.2cm) |
| Length | 15.7 inches (39.9cm) |
| Width | 11.5 inches (7.1cm) |
| Weight: | |
| Without Scale | 16.55 lbs. (7.5kg) |
| With Scale | 21.8 lbs. (9.9kg) |
| Model 2751 Dimensions (Typical): | |
| Height | 11.1 inches (28.2cm) |
| Length | 13.9 inches (35.3cm) |
| Width | 11.5 inches (7.11cm) |
| Weight: | |
| Without Scale | 15.75 lbs. (7.1kg) |
| Optical | |
| Laser Scan Lines | 21,500 per second |
| Imager Resolution | 838 x 640 pixel array |
| LED | 635nm \pm 40nm (red LED) IEC 62471: "Exempt Risk Group" |
| Operating Wavelength | |
| Illumination | 650nm \pm 5nm |
| Laser | 650nm |
| Voltage Requirements | 12V \pm 10% |
| Current Draw 12VDC @ 25°C | |
| Stratos bioptic scanner only | <u>Operating</u> .85A <u>Standby</u> .41A |
| Stratos bioptic scanner with LCD Video display | .93A .41A |
| Stratos bioptic with LCD Video display, and scale with single line display | 1A .47A |
| Maximum Auxiliary Power | |
| 12V video port | .3A |
| Other aux ports | .5A |
| Temperature Ranges: | |
| Operating | +50°F to +104°F (10°C to 40°C) |
| Storage | -40°F to +158°F (-40°C to 70°C) |
| Humidity | 5% - 95% relative humidity, non-condensing |
| ESD Immunity | IEC 61000-4-2 (8kV contact / 15kV air) |
| Safety/Compliance | |
| Laser | IEC Class 1 |
| LED | IEC 62471 "Exempt Risk Group" |

Depth of Field Charts

Typical Performance

| Focus | | From Vertical Window | | From Horizontal Window | |
|-----------------------------|-----|----------------------|--------------|------------------------|--------------|
| Symbology | | Near Distance | Far Distance | Near Distance | Far Distance |
| 4 mil Code 39 | in. | window | 4 | window | 4 |
| | mm | window | 101 | window | 101 |
| 13 mil UPC | in. | window | 12 | window | 7 |
| | mm | window | 305 | window | 180 |
| 6.7 mil PDF417 | in. | window | 4 | | |
| | mm | window | 101 | | |
| 10 mil PDF417 | in. | window | 6 | | |
| | mm | window | 152 | | |
| 10 mil Data Matrix | in. | window | 4 | | |
| | mm | window | 101 | | |
| Resolution (1D Code 39) | | 4 mil (.102mm) | | 4 mil (.102mm) | |
| Resolution (2D PDF417) | | 6.7 mil (.170mm) | | | |
| Resolution (2D Data Matrix) | | 7.5 mil (.190mm) | | | |

Guaranteed Performance

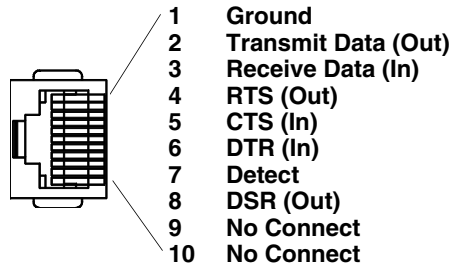
| Focus | | From Vertical Window | | From Horizontal Window | |
|-----------------------------|-----|----------------------|--------------|------------------------|--------------|
| Symbology | | Near Distance | Far Distance | Near Distance | Far Distance |
| 4 mil Code 39 | in. | window | 3.5 | window | 3.5 |
| | mm | window | 88 | window | 88 |
| 13 mil UPC | in. | window | 9 | window | 7 |
| | mm | window | 228 | window | 180 |
| 6.7 mil PDF417 | in. | window | 3 | | |
| | mm | window | 76 | | |
| 10 mil PDF417 | in. | window | 5 | | |
| | mm | window | 127 | | |
| 10 mil Data Matrix | in. | window | 3 | | |
| | mm | window | 75 | | |
| Resolution (1D Code 39) | | 4 mil (.102mm) | | 4 mil (.102mm) | |
| Resolution (2D PDF417) | | 6.7 mil (.170mm) | | | |
| Resolution (2D Data Matrix) | | 7.5 mil (.190mm) | | | |

Standard Connector Pinouts

Note: Use of a cable with improper pin assignments may lead to damage to the unit. Use of any cables not provided by the manufacturer may result in damage not covered by your warranty.

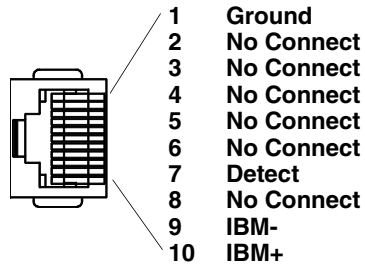
Host - RS232

10 Pin RJ41 Modular Plug:

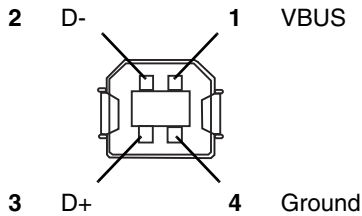


Host - RS485

10 Pin RJ41 Modular Plug:

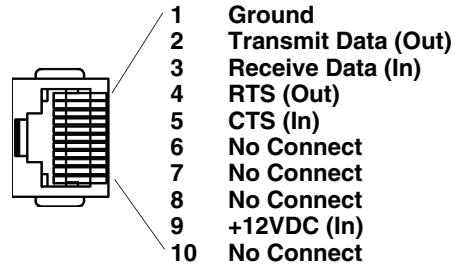


Host - USB Type B



Scale to Host - RS232

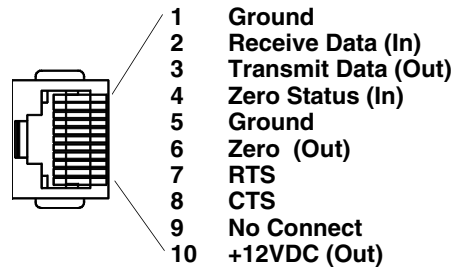
10 Pin RJ41 Modular Plug:



Scanner to Scale - COMM

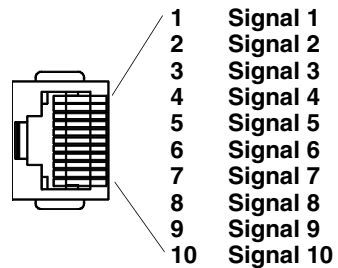
Data originates from the scale and is sent to the scanner.

10 Pin RJ41 Modular Plug:



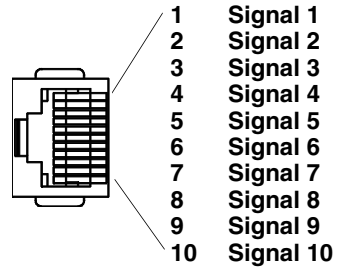
Scale to Scanner - Display

10 Pin RJ41 Modular Plug:



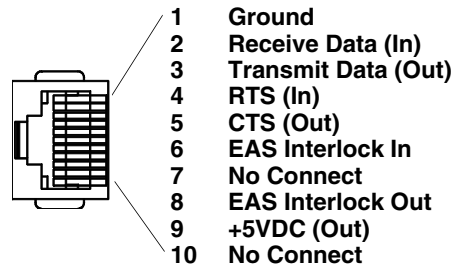
Scale Display

10 Pin RJ41 Modular Plug:



RS232 Auxiliary Scanner - Bioptic end

10 Pin RJ41 Modular Plug:



USB Auxiliary Scanner - Bioptic end

USB Type A Plug:



- 1 VBUS
- 2 D-
- 3 D+
- 4 Ground



Repairs

Repairs and/or upgrades are not to be performed on this product. These services are to be performed only by an authorized service center (see [Customer Support](#) on page 16-1).

Maintenance

Your device provides reliable and efficient operation with a minimum of care. Although specific maintenance is not required, the following periodic checks ensure dependable operation:

Cleaning the Scanner

The scanner's housing may be cleaned with a soft cloth or tissue dampened with water (or a mild detergent-water solution.) If a detergent solution is used, rinse with a clean tissue dampened with water only.



Caution:

Do not submerge the scanner in water. The scanner's housing is not watertight.

Do not use abrasive wipes or tissues on the scanner's window – abrasive wipes may scratch the window. Never use solvents (e.g., acetone) on the housing or window – solvents may damage the finish or the window.

Cleaning the Window

Reading performance may degrade if the scanner's window is not clean. If the window is visibly dirty, or if the scanner isn't operating well, clean the window with one of the cleaning solutions listed above.

Troubleshooting a Stratos Bioptic Scanner

The scanner automatically performs self-tests whenever you turn it on. If your scanner is not functioning properly, review the following Troubleshooting Guide to try to isolate the problem.

Is the power on? Is the illumination on?

If the illumination isn't on, check that:

- The cable is connected properly.
- The host system power is on (if external power isn't used).

Does the scanner respond to host commands?

If it does not respond, make sure that:

- The protocol in the scanner's configuration matches the host POS protocol.
- That the prefixes and suffixes are correct for the protocol.
- That the cables are attached to the proper ports on the Stratos.
- When using a dual cable setup, the scale must also be attached via the scale RS232 port.

Is the scanner having trouble reading your symbols?

If the scanner isn't reading symbols well, check that the symbols:

- Aren't smeared, rough, scratched, or exhibiting voids.
- Aren't coated with frost or water droplets on the surface.
- Are enabled in the scanner.
- Try reading the bar code using the vertical window.

Is the bar code displayed but not entered?

The bar code is displayed on the host device correctly, but you still have to press a key to enter it (the Enter/Return key or the Tab key, for example).

- You need to program a suffix. Programming a suffix enables the scanner to output the bar code data plus the key you need (such as "CR") to enter the data into your application. Refer to [Prefix/Suffix Overview](#) on page 7-1 for further information.

Does the scanner read the bar code incorrectly?

If the scanner reads a bar code, but the data is not displayed correctly on the host screen:

- The scanner may not be programmed for the appropriate terminal interface. For example, you scan "12345" and the host displays "@es%."

Reprogram the scanner with the correct interface bar code. See [Programming the Bioptic Scanner Interface](#), beginning on page 3-1.

- The scanner may not be programmed to output your bar code data properly. For example, you scan "12345" and the host displays "A12345B."

Reprogram the scanner with the proper symbology selections. See [Chapter 9](#).

The scanner won't read your bar code at all.

1. Scan the sample bar codes in the back of this manual. If the scanner reads the sample bar codes, check that your bar code is readable. Verify that your bar code symbology is enabled (see [Chapter 9](#)).
2. If the scanner still can't read the sample bar codes, scan [All Symbologies On](#), page 9-1.

If you aren't sure what programming options have been set in the scanner, or if you want the factory default settings restored, refer to [Resetting the Factory Defaults](#) on page 12-3.

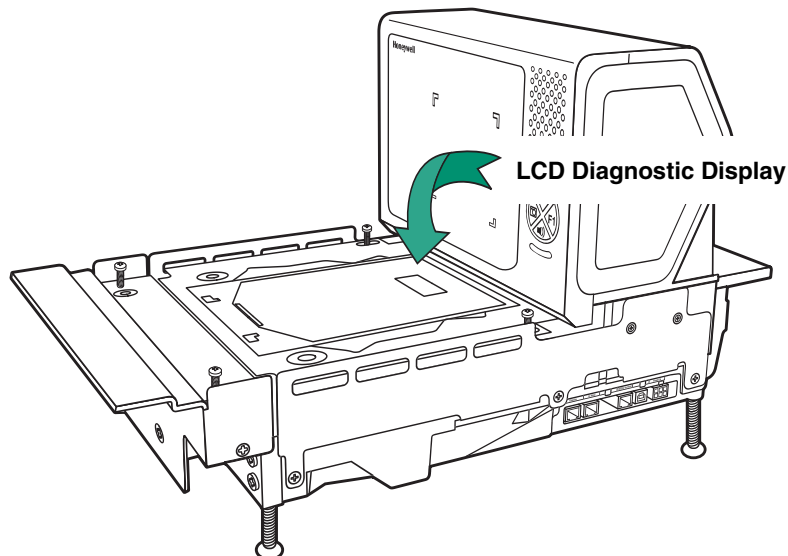
Are the scanner's red and green indicators flashing or solidly lit?

The host system may be disabling the Stratos. Make sure that:

- The host system is not sending a disable command to the scanner.
- The host communication cable is properly attached to the host and to the scanner.

Diagnostic Indicator

There is an LCD diagnostic display located under the platter near the end of the scanner closest to the vertical window.



Error Codes

The following is a list of possible error codes and their meanings. Some errors will require immediate scanner maintenance. See also [Audible and Visual Indicators](#) on page 1-3.

| Error Text | Description | What to do |
|---|--|--|
| AUX_DEVICE_ERROR | RS232 or USB auxiliary device is not communicating with the scanner. | Reconnect auxiliary device and power cycle both devices. |
| BUTTON#_ERROR | The button is stuck or has failed. | Push the button firmly to attempt to free it. Call for service. See Customer Support on page 16-1. |
| CANNOT_CALIBRATE_DEVICE | Maintenance error. | Return the unit for repair. Call for service. See Customer Support on page 16-1. |
| COMMUNICATION_ERROR | RS232 only. The data line is being held active. This causes the scanner to read a “break” signal constantly and continuous attempts are made to enter configuration mode. A short on the RX Data line can cause this condition. It can also be the result of a laptop in power save mode. The scanner aborts attempts to enter configuration mode after a short timeout. | The scanner recovers from this condition once the short in the RX Data line is corrected. |
| CONFIGURATION_ERROR | The configuration file is corrupt. | Reload the defaults or reload the custom configuration. |
| EAS_ERROR | No response from EAS interlock controller. | Contact EAS vendor for service. |
| IMAGER_ERROR | Imager sub-system has experienced a fault. | Reload the defaults or reload the custom configuration and power cycle. Call for service. See Customer Support on page 16-1. |
| INTERFACE_ERROR | The manually selected interface does not match the current cable and auto-detect has been disabled. | Install the correct cable and reboot. |
| IR_SENSE_ERROR or PHOTO_SENSE_ERROR | The photo-sensor is failing. | Use the volume button to manually wake the scanner. Call for service. See Customer Support on page 16-1. |
| LASER_1_ERROR | The vertical left laser has failed. | You can continue to scan with the remaining lasers. Call for service. See Customer Support on page 16-1. |
| LASER_1_WARNING | Warning that the vertical left laser may soon fail. | Call for service. See Customer Support on page 16-1. |
| LASER_2_ERROR | The vertical right laser has failed. | You can continue to scan with the remaining lasers. Call for service. See Customer Support on page 16-1. |
| LASER_2_WARNING | Warning that the vertical right laser may soon fail. | Call for service. See Customer Support on page 16-1. |
| LASER_3_ERROR | The horizontal left laser has failed. | You can continue to scan with the remaining lasers. Call for service. See Customer Support on page 16-1. |
| LASER_3_WARNING | Warning that the horizontal left laser may soon fail. | Call for service. See Customer Support on page 16-1. |

| Error Text | Description | What to do |
|------------------------|--|---|
| LASER_4_ERROR | The horizontal right laser has failed. | You can continue to scan with the remaining lasers. Call for service. See Customer Support on page 16-1. |
| LASER_4_WARNING | Warning that the horizontal right laser may soon fail. | Call for service. See Customer Support on page 16-1. |
| MOTOR_1_ERROR | The laser sub-system has experienced a major failure. | Call for service. See Customer Support on page 16-1. |
| MOTOR_1_WARNING | Warning that the laser sub-system may soon fail. | Call for service. See Customer Support on page 16-1. |
| PROGRAM_ERROR_ | The bioptic firmware has failed. | Call for service. See Customer Support on page 16-1. |
| RAM_ERROR | The scanner's memory has failed. | Try a reboot. Otherwise, call for service. See Customer Support on page 16-1. |
| ROM_ERROR | The scanner's ROM is faulty. | Return the unit for repair. Call for service. See Customer Support on page 16-1. |
| SCALE_CAL_REJECT | The scale has rejected the calibration command. | Make sure the calibration switch has been depressed and that you are using the correct calibration command for the current scale range. Otherwise, call for service. See Customer Support on page 16-1. |
| SCALE_CALIBRATE_ERROR | The scale is refusing to save the weight parameters in a calibration step. | Make sure you are following the procedures exactly and that the weights used for each step are correct. Otherwise, call for service. See Customer Support on page 16-1. |
| SCALE_COMM_ERROR | The cables between the scale and the scanner have failed. | Check the cables between the scanner and the scale and reboot. Call for service. See Customer Support on page 16-1. |
| SCALE_COMMAND_REJECT | The scale has a NAK response to a scanner request. | Contact the scale provider for service. |
| SCALE_CONF_REJECT | The scale refuses to accept the data presented as a configuration parameter. | Make sure the configuration parameter does not need the calibration switch activated in order to accept the new value. Otherwise, call for service. See Customer Support on page 16-1. |
| SCALE_DATA_FORMAT | The scanner does not recognize scale data. | Adjust the communication parameters so the scanner and scale match. |
| SCALE_EEPROM_ERROR | The scale is indicating a configuration memory problem. | Contact the scale provider for service. |
| SCALE_INIT_ZERO_ERR | The scale did not return to zero when booting up. | Make sure the platter is present and properly seated. Make sure no items are on the platter. Reboot. Call for service. |
| SCALE_INVALID_RESPONSE | There is a protocol communication error between the scale and the scanner. | Adjust the communication parameters so the scanner and scale match. |

| Error Text | Description | What to do |
|-------------------|---|---|
| SCALE_NO_TYPE | No scale type has been specified. | Program the scale type (see Programming the Scale Interface beginning on page 6-1). Reboot. Call for service. |
| SCALE_RAM_ERROR | The scale is indicating a RAM memory problem. | Contact the scale provider for service. |
| SCALE_ROM_ERROR | The scale is indicating a ROM memory problem. | Contact the scale provider for service. |



Customer Support

Technical Assistance

If you need assistance installing or troubleshooting your device, contact us by using one of the methods below:

Knowledge Base: www.hsmknowledgebase.com

Our Knowledge Base provides thousands of immediate solutions. If the Knowledge Base cannot help, our Technical Support Portal (see below) provides an easy way to report your problem or ask your question.

Technical Support Portal: www.hsmsupportportal.com

The Technical Support Portal not only allows you to report your problem, but it also provides immediate solutions to your technical issues by searching our Knowledge Base. With the Portal, you can submit and track your questions online and send and receive attachments.

Web form: www.hsmcontactsupport.com

You can contact our technical support team directly by filling out our online support form. Enter your contact details and the description of the question/problem.

Telephone: www.honeywellaidc.com/locations

For our latest contact information, check the website at the link above.

Product Service and Repair

Honeywell International Inc. provides service for all of its products through service centers throughout the world. To obtain warranty or non-warranty service, visit www.honeywellaidc.com and select **Support > Contact Service and Repair** to see your region's instructions on how to obtain a Return Material Authorization number (RMA #). You should do this prior to returning the product.

Limited Warranty

Honeywell International Inc. ("HII") warrants its products to be free from defects in materials and workmanship and to conform to HII's published specifications applicable to the products purchased at the time of shipment. This warranty does not cover any HII product which is (i) improperly installed or used; (ii) damaged by accident or negligence, including failure to follow the proper maintenance, service, and cleaning schedule; or (iii) damaged as a result of (A) modification or alteration by the purchaser or other party, (B) excessive voltage or current supplied to or drawn from the interface connections, (C) static electricity or electrostatic discharge, (D) operation under conditions beyond the specified operating parameters, or (E) repair or service of the product by anyone other than HII or its authorized representatives.

This warranty shall extend from the time of shipment for the duration published by HII for the product at the time of purchase ("Warranty Period"). Any defective product must be returned (at purchaser's expense) during the Warranty Period to HII factory or authorized service center for inspection. No product will be accepted by HII without a Return Materials Authorization, which may be obtained by contacting HII. In the event that the product is returned to HII or its authorized service center within the Warranty Period and HII determines to its satisfaction that the product is defective due to defects in materials or workmanship, HII, at its sole option, will either repair or replace the product without charge, except for return shipping to HII.

EXCEPT AS MAY BE OTHERWISE PROVIDED BY APPLICABLE LAW, THE FOREGOING WARRANTY IS IN LIEU OF ALL OTHER COVENANTS OR WARRANTIES, EITHER EXPRESSED OR IMPLIED, ORAL OR WRITTEN, INCLUDING, WITHOUT LIMITATION, ANY IMPLIED WARRANTIES OF MERCHANTABILITY OR FITNESS FOR A PARTICULAR PURPOSE, OR NON-INFRINGEMENT.

HII'S RESPONSIBILITY AND PURCHASER'S EXCLUSIVE REMEDY UNDER THIS WARRANTY IS LIMITED TO THE REPAIR OR REPLACEMENT OF THE DEFECTIVE PRODUCT WITH NEW OR REFURBISHED PARTS. IN NO EVENT SHALL HII BE LIABLE FOR INDIRECT, INCIDENTAL, OR CONSEQUENTIAL DAMAGES, AND, IN NO EVENT, SHALL ANY LIABILITY OF HII ARISING IN CONNECTION WITH ANY PRODUCT SOLD HEREUNDER (WHETHER SUCH LIABILITY ARISES FROM A CLAIM BASED ON CONTRACT, WARRANTY, TORT, OR OTHERWISE) EXCEED THE ACTUAL AMOUNT PAID TO HII FOR THE PRODUCT. THESE LIMITATIONS ON LIABILITY SHALL REMAIN IN FULL FORCE AND EFFECT EVEN WHEN HII MAY HAVE BEEN ADVISED OF THE POSSIBILITY OF SUCH INJURIES, LOSSES, OR DAMAGES. SOME STATES, PROVINCES, OR COUNTRIES DO NOT ALLOW THE EXCLUSION OR LIMITATIONS OF INCIDENTAL OR CONSEQUENTIAL DAMAGES, SO THE ABOVE LIMITATION OR EXCLUSION MAY NOT APPLY TO YOU.

All provisions of this Limited Warranty are separate and severable, which means that if any provision is held invalid and unenforceable, such determination shall not affect the validity of enforceability of the other provisions hereof. Use of any peripherals not provided by the manufacturer may result in damage not covered by this warranty. This includes but is not limited to: cables, power supplies, cradles, and docking stations. HII extends these warranties only to the first end-users of the products. These warranties are non-transferable.

The duration of the limited warranty for the Stratos 2700 bioptic scanner is two (2) years.

Reference Charts

Symbology Charts

Note: “m” represents the AIM modifier character. Refer to International Technical Specification, Symbology Identifiers, for AIM modifier character details.

Prefix/Suffix entries for specific symbologies override the universal (All Symbologies, 99) entry.

Refer to [Data Editing](#) beginning on page 7-1 and [Data Formatting](#) beginning on page 8-1 for information about using Code ID and AIM ID.

Linear Symbologies

| Symbology | AIM | | Honeywell | |
|------------------------------------|-----|---------------------------|-----------|-----|
| | ID | Possible modifiers (m) | ID | Hex |
| All Symbologies | | | | 99 |
| Codabar |]Fm | 0-1 | a | 61 |
| Code 11 |]H3 | | h | 68 |
| Code 128 |]Cm | 0, 1, 2, 4 | j | 6A |
| Code 32 Pharmaceutical (PARAF) |]X0 | | < | 3C |
| Code 39 (supports Full ASCII mode) |]Am | 0, 1, 3, 4, 5, 7 | b | 62 |
| TCIF Linked Code 39 (TLC39) |]L2 | | T | 54 |
| Code 93 and 93i |]Gm | 0-9, A-Z, a-m | i | 69 |
| EAN |]Em | 0, 1, 3, 4 | d | 64 |
| EAN-13 (including Bookland EAN) |]E0 | | d | 64 |
| EAN-13 with Add-On |]E3 | | d | 64 |
| EAN-13 with Extended Coupon Code |]E3 | | d | 64 |
| EAN-8 |]E4 | | D | 44 |
| EAN-8 with Add-On |]E3 | | D | 44 |
| GS1 | | | | |
| GS1 DataBar |]em | 0 | y | 79 |
| GS1 DataBar Limited |]em | | { | 7B |
| GS1 DataBar Expanded |]em | | } | 7D |
| GS1-128 |]C1 | | l | 49 |
| 2 of 5 | | | | |
| China Post (Hong Kong 2 of 5) |]X0 | | Q | 51 |
| Interleaved 2 of 5 |]Im | 0, 1, 3 | e | 65 |
| Matrix 2 of 5 |]X0 | | m | 6D |
| NEC 2 of 5 |]X0 | | Y | 59 |
| Straight 2 of 5 IATA |]Rm | 0, 1, 3 | f | 66 |
| Straight 2 of 5 Industrial |]S0 | | f | 66 |
| MSI |]Mm | 0, 1 | g | 67 |
| Telepen |]Bm | | t | 74 |
| UPC | | 0, 1, 2, 3, 8, 9, A, B, C | | |

| Symbology | AIM | | Honeywell | |
|---------------------------------|-----|------------------------|-----------|-----|
| | ID | Possible modifiers (m) | ID | Hex |
| UPC-A |]E0 | | c | 63 |
| UPC-A with Add-On |]E3 | | c | 63 |
| UPC-A with Extended Coupon Code |]E3 | | c | 63 |
| UPC-E |]E0 | | E | 45 |
| UPC-E with Add-On |]E3 | | E | 45 |
| UPC-E1 |]X0 | | E | 45 |

| | | | | |
|-----------------------|--|--|---|------|
| Add Honeywell Code ID | | | | 5C80 |
| Add AIM Code ID | | | | 5C81 |
| Add Backslash | | | | 5C5C |
| Batch mode quantity | | | 5 | 35 |

2D Symbologies

| Symbology | AIM | | Honeywell | |
|--------------------------------------|-----|------------------------|-----------|-----|
| | ID | Possible modifiers (m) | ID | Hex |
| <i>All Symbologies</i> | | | | 99 |
| Aztec Code |]zm | 0-9, A-C | z | 7A |
| Chinese Sensible Code (Han Xin Code) |]X0 | | H | 48 |
| Codablock A |]O6 | 0, 1, 4, 5, 6 | V | 56 |
| Codablock F |]Om | 0, 1, 4, 5, 6 | q | 71 |
| Code 49 |]Tm | 0, 1, 2, 4 | l | 6C |
| Data Matrix |]dm | 0-6 | w | 77 |
| GS1 |]em | 0-3 | | |
| GS1 Composite |]em | 0-3 | y | 79 |
| GS1 DataBar Omnidirectional |]em | | y | 79 |
| MaxiCode |]Um | 0-3 | x | 78 |
| PDF417 |]Lm | 0-2 | r | 72 |
| MicroPDF417 |]Lm | 3-5 | R | 52 |
| QR Code |]Qm | 0-6 | s | 73 |
| Micro QR Code |]Qm | | s | 73 |

Postal Symbologies

| Symbology | AIM | | Honeywell | |
|------------------------|-----|------------------------|-----------|-----|
| | ID | Possible modifiers (m) | ID | Hex |
| <i>All Symbologies</i> | | | | 99 |
| Australian Post |]X0 | | A | 41 |

| Symbology | AIM | | Honeywell | |
|---------------------------|-----|---------------------------|-----------|-----|
| | ID | Possible modifiers (m) | ID | Hex |
| British Post |]X0 | | B | 42 |
| Canadian Post |]X0 | | C | 43 |
| China Post |]X0 | | Q | 51 |
| InfoMail |]X0 | | , | 2c |
| Intelligent Mail Bar Code |]X0 | | M | 4D |
| Japanese Post |]X0 | | J | 4A |
| KIX (Netherlands) Post |]X0 | | K | 4B |
| Korea Post |]X0 | | ? | 3F |
| Planet Code |]X0 | | L | 4C |
| Postal-4i |]X0 | | N | 4E |
| Postnet |]X0 | | P | 50 |

ASCII Conversion Chart (Code Page 1252)

In keyboard applications, ASCII Control Characters can be represented in 3 different ways, as shown below. The CTRL+X function is OS and application dependent. The following table lists some commonly used Microsoft functionality. This table applies to U.S. style keyboards. Certain characters may differ depending on your Country Code/PC regional settings.

| Non-printable characters | | ASCII control | Keyboard Control + ASCII (CTRL+X) Mode | | |
|--------------------------|-----|---------------|--|--|-------------------|
| DEC | HEX | Char | Control + X Mode Off (KBDCAS0) | Windows Mode Control + X Mode On (KBDCAS2) | |
| | | | | CTRL + X | CTRL + X function |
| 0 | 00 | NUL | Reserved | CTRL+ @ | |
| 1 | 01 | SOH | NP Enter | CTRL+ A | Select all |
| 2 | 02 | STX | Caps Lock | CTRL+ B | Bold |
| 3 | 03 | ETX | ALT Make | CTRL+ C | Copy |
| 4 | 04 | EOT | ALT Break | CTRL+ D | Bookmark |
| 5 | 05 | ENQ | CTRL Make | CTRL+ E | Center |
| 6 | 06 | ACK | CTRL Break | CTRL+ F | Find |
| 7 | 07 | BEL | Enter / Ret | CTRL+ G | |
| 8 | 08 | BS | (Apple Make) | CTRL+ H | History |
| 9 | 09 | HT | Tab | CTRL+ I | Italic |
| 10 | 0A | LF | (Apple Break) | CTRL+ J | Justify |
| 11 | 0B | VT | Tab | CTRL+ K | hyperlink |
| 12 | 0C | FF | Delete | CTRL+ L | list, left align |
| 13 | 0D | CR | Enter / Ret | CTRL+ M | |
| 14 | 0E | SO | Insert | CTRL+ N | New |
| 15 | 0F | SI | ESC | CTRL+ O | Open |
| 16 | 10 | DLE | F11 | CTRL+ P | Print |
| 17 | 11 | DC1 | Home | CTRL+ Q | Quit |
| 18 | 12 | DC2 | PrtScn | CTRL+ R | |
| 19 | 13 | DC3 | Backspace | CTRL+ S | Save |
| 20 | 14 | DC4 | Back Tab | CTRL+ T | |
| 21 | 15 | NAK | F12 | CTRL+ U | |
| 22 | 16 | SYN | F1 | CTRL+ V | Paste |
| 23 | 17 | ETB | F2 | CTRL+ W | |

| Non-printable characters | | ASCII control | Keyboard Control + ASCII (CTRL+X) Mode | | |
|--------------------------|-----|---------------|--|--|-------------------|
| DEC | HEX | Char | Control + X Mode Off (KBDCAS0) | Windows Mode Control + X Mode On (KBDCAS2) | |
| | | | | CTRL + X | CTRL + X function |
| 24 | 18 | CAN | F3 | CTRL+ X | |
| 25 | 19 | EM | F4 | CTRL+ Y | |
| 26 | 1A | SUB | F5 | CTRL+ Z | |
| 27 | 1B | ESC | F6 | CTRL+ [| |
| 28 | 1C | FS | F7 | CTRL+ \ | |
| 29 | 1D | GS | F8 | CTRL+] | |
| 30 | 1E | RS | F9 | CTRL+ ^ | |
| 31 | 1F | US | F10 | CTRL+ - | |
| 127 | 7F | △ | NP Enter | | |

Lower ASCII Reference Table

Note: Windows Code page 1252 and lower ASCII use the same characters.

| Printable Characters | | | | | | | | |
|----------------------|-----|-----------|-----|-----|-----------|-----|-----|-----------|
| DEC | HEX | Character | DEC | HEX | Character | DEC | HEX | Character |
| 32 | 20 | <SPACE> | 64 | 40 | @ | 96 | 60 | ` |
| 33 | 21 | ! | 65 | 41 | A | 97 | 61 | a |
| 34 | 22 | " | 66 | 42 | B | 98 | 62 | b |
| 35 | 23 | # | 67 | 43 | C | 99 | 63 | c |
| 36 | 24 | \$ | 68 | 44 | D | 100 | 64 | d |
| 37 | 25 | % | 69 | 45 | E | 101 | 65 | e |
| 38 | 26 | & | 70 | 46 | F | 102 | 66 | f |
| 39 | 27 | ' | 71 | 47 | G | 103 | 67 | g |
| 40 | 28 | (| 72 | 48 | H | 104 | 68 | h |
| 41 | 29 |) | 73 | 49 | I | 105 | 69 | i |
| 42 | 2A | * | 74 | 4A | J | 106 | 6A | j |
| 43 | 2B | + | 75 | 4B | K | 107 | 6B | k |
| 44 | 2C | , | 76 | 4C | L | 108 | 6C | l |
| 45 | 2D | - | 77 | 4D | M | 109 | 6D | m |
| 46 | 2E | . | 78 | 4E | N | 110 | 6E | n |
| 47 | 2F | / | 79 | 4F | O | 111 | 6F | o |
| 48 | 30 | 0 | 80 | 50 | P | 112 | 70 | p |
| 49 | 31 | 1 | 81 | 51 | Q | 113 | 71 | q |
| 50 | 32 | 2 | 82 | 52 | R | 114 | 72 | r |
| 51 | 33 | 3 | 83 | 53 | S | 115 | 73 | s |
| 52 | 34 | 4 | 84 | 54 | T | 116 | 74 | t |
| 53 | 35 | 5 | 85 | 55 | U | 117 | 75 | u |
| 54 | 36 | 6 | 86 | 56 | V | 118 | 76 | v |
| 55 | 37 | 7 | 87 | 57 | W | 119 | 77 | w |
| 56 | 38 | 8 | 88 | 58 | X | 120 | 78 | x |
| 57 | 39 | 9 | 89 | 59 | Y | 121 | 79 | y |
| 58 | 3A | : | 90 | 5A | Z | 122 | 7A | z |
| 59 | 3B | ; | 91 | 5B | [| 123 | 7B | { |
| 60 | 3C | < | 92 | 5C | \ | 124 | 7C | |
| 61 | 3D | = | 93 | 5D |] | 125 | 7D | } |
| 62 | 3E | > | 94 | 5E | ^ | 126 | 7E | ~ |
| 63 | 3F | ? | 95 | 5F | _ | 127 | 7F | △ |

| Extended ASCII Characters | | | | | |
|---------------------------|-----|---------|-------|--------------------------------|---------------|
| DEC | HEX | CP 1252 | ASCII | Alternate Extended | PS2 Scan Code |
| 128 | 80 | € | Ç | up arrow ↑ | 0x48 |
| 129 | 81 | | ù | down arrow ↓ | 0x50 |
| 130 | 82 | , | é | right arrow → | 0x4B |
| 131 | 83 | f | â | left arrow ← | 0x4D |
| 132 | 84 | „ | ä | Insert | 0x52 |
| 133 | 85 | ... | à | Delete | 0x53 |
| 134 | 86 | † | â | Home | 0x47 |
| 135 | 87 | ‡ | ç | End | 0x4F |
| 136 | 88 | ^ | ê | Page Up | 0x49 |
| 137 | 89 | ‰ | ë | Page Down | 0x51 |
| 138 | 8A | Š | è | Right ALT | 0x38 |
| 139 | 8B | < | ï | Right CTRL | 0x1D |
| 140 | 8C | Œ | î | Reserved | n/a |
| 141 | 8D | | ì | Reserved | n/a |
| 142 | 8E | Ž | Ä | Numeric Keypad Enter | 0x1C |
| 143 | 8F | | Å | Numeric Keypad / | 0x35 |
| 144 | 90 | | É | F1 | 0x3B |
| 145 | 91 | ‘ | æ | F2 | 0x3C |
| 146 | 92 | ’ | Æ | F3 | 0x3D |
| 147 | 93 | “ | ô | F4 | 0x3E |
| 148 | 94 | ” | ö | F5 | 0x3F |
| 149 | 95 | • | ò | F6 | 0x40 |
| 150 | 96 | – | û | F7 | 0x41 |
| 151 | 97 | — | ù | F8 | 0x42 |
| 152 | 98 | ~ | ÿ | F9 | 0x43 |
| 153 | 99 | ™ | Ö | F10 | 0x44 |
| 154 | 9A | š | Ü | F11 | 0x57 |
| 155 | 9B | › | ø | F12 | 0x58 |
| 156 | 9C | œ | £ | Numeric Keypad + | 0x4E |
| 157 | 9D | | ¥ | Numeric Keypad - | 0x4A |
| 158 | 9E | ž | Pts | Numeric Keypad * | 0x37 |
| 159 | 9F | ÿ | f | Caps Lock | 0x3A |
| 160 | A0 | | á | Num Lock | 0x45 |
| 161 | A1 | ¡ | í | Left Alt | 0x38 |
| 162 | A2 | ¢ | ó | Left Ctrl | 0x1D |
| 163 | A3 | £ | ú | Left Shift | 0x2A |
| 164 | A4 | ¤ | ñ | Right Shift | 0x36 |
| 165 | A5 | ¥ | Ñ | Print Screen | n/a |
| 166 | A6 | ¦ | ª | Tab | 0x0F |
| 167 | A7 | § | º | Shift Tab | 0x8F |
| 168 | A8 | ¨ | ¿ | Enter | 0x1C |
| 169 | A9 | © | ¬ | Esc | 0x01 |
| 170 | AA | ª | ¬ | Alt Make | 0x36 |
| 171 | AB | « | ½ | Alt Break | 0xB6 |
| 172 | AC | ¬ | ¼ | Control Make | 0x1D |
| 173 | AD | | ¡ | Control Break | 0x9D |
| 174 | AE | ® | « | Alt Sequence with 1 Character | 0x36 |
| 175 | AF | ™ | » | Ctrl Sequence with 1 Character | 0x1D |
| 176 | B0 | ° | ° | | |
| 177 | B1 | ± | ° | | |

| Extended ASCII Characters (Continued) | | | | | |
|---------------------------------------|-----|---------|-------|--------------------|---------------|
| DEC | HEX | CP 1252 | ASCII | Alternate Extended | PS2 Scan Code |
| 178 | B2 | ² | ⌘ | | |
| 179 | B3 | ³ | ⌘ | | |
| 180 | B4 | ´ | ⌘ | | |
| 181 | B5 | µ | ⌘ | | |
| 182 | B6 | ¶ | ⌘ | | |
| 183 | B7 | · | ⌘ | | |
| 184 | B8 | ¸ | ⌘ | | |
| 185 | B9 | ¹ | ⌘ | | |
| 186 | BA | º | ⌘ | | |
| 187 | BB | » | ⌘ | | |
| 188 | BC | ¼ | ⌘ | | |
| 189 | BD | ½ | ⌘ | | |
| 190 | BE | ¾ | ⌘ | | |
| 191 | BF | ¿ | ⌘ | | |
| 192 | C0 | À | ⌘ | | |
| 193 | C1 | Á | ⌘ | | |
| 194 | C2 | Â | ⌘ | | |
| 195 | C3 | Ã | ⌘ | | |
| 196 | C4 | Ä | ⌘ | | |
| 197 | C5 | Å | ⌘ | | |
| 198 | C6 | Æ | ⌘ | | |
| 199 | C7 | Ç | ⌘ | | |
| 200 | C8 | È | ⌘ | | |
| 201 | C9 | É | ⌘ | | |
| 202 | CA | Ê | ⌘ | | |
| 203 | CB | Ë | ⌘ | | |
| 204 | CC | Ì | ⌘ | | |
| 205 | CD | Í | ⌘ | | |
| 206 | CE | Î | ⌘ | | |
| 207 | CF | Ï | ⌘ | | |
| 208 | D0 | Ð | ⌘ | | |
| 209 | D1 | Ñ | ⌘ | | |
| 210 | D2 | Ò | ⌘ | | |
| 211 | D3 | Ó | ⌘ | | |
| 212 | D4 | Ô | ⌘ | | |
| 213 | D5 | Õ | ⌘ | | |
| 214 | D6 | Ö | ⌘ | | |
| 215 | D7 | × | ⌘ | | |
| 216 | D8 | Ø | ⌘ | | |
| 217 | D9 | Ù | ⌘ | | |
| 218 | DA | Ú | ⌘ | | |
| 219 | DB | Û | ⌘ | | |
| 220 | DC | Ü | ⌘ | | |
| 221 | DD | Ý | ⌘ | | |
| 222 | DE | Þ | ⌘ | | |
| 223 | DF | ß | ⌘ | | |
| 224 | E0 | à | α | | |
| 225 | E1 | á | β | | |
| 226 | E2 | â | γ | | |
| 227 | E3 | ã | π | | |
| 228 | E4 | ä | Σ | | |
| 229 | E5 | å | σ | | |

| Extended ASCII Characters (Continued) | | | | | |
|---------------------------------------|-----|---------|-------|--------------------|---------------|
| DEC | HEX | CP 1252 | ASCII | Alternate Extended | PS2 Scan Code |
| 230 | E6 | æ | μ | | |
| 231 | E7 | ç | τ | | |
| 232 | E8 | è | φ | | |
| 233 | E9 | é | Θ | | |
| 234 | EA | ê | Ω | | |
| 235 | EB | ë | δ | | |
| 236 | EC | ì | ∞ | | |
| 237 | ED | í | φ | | |
| 238 | EE | î | ε | | |
| 239 | EF | ï | ∩ | | |
| 240 | F0 | ð | ≡ | | |
| 241 | F1 | ñ | ± | | |
| 242 | F2 | ò | ≥ | | |
| 243 | F3 | ó | ≤ | | |
| 244 | F4 | ô | ∫ | | |
| 245 | F5 | õ | ∫ | | |
| 246 | F6 | ö | ÷ | | |
| 247 | F7 | ÷ | ≈ | | |
| 248 | F8 | ø | ° | | |
| 249 | F9 | ù | · | | |
| 250 | FA | ú | · | | |
| 251 | FB | û | √ | | |
| 252 | FC | ü | ⁿ | | |
| 253 | FD | ý | ² | | |
| 254 | FE | þ | ■ | | |
| 255 | FF | ÿ | | | |

ISO 2022/ISO 646 Character Replacements

Code pages define the mapping of character codes to characters. If the data received does not display with the proper characters, it may be because the bar code being scanned was created using a code page that is different from the one the host program is expecting. If this is the case, select the code page with which the bar codes were created. The data characters should then appear properly.

| Code Page Selection Method/Country | Standard | Keyboard Country | Honeywell Code Page Option |
|---|---------------------|------------------|----------------------------|
| United States (standard ASCII) | ISO/IEC 646-IRV | n/a | 1 |
| Automatic National Character Replacement | ISO/IEC 2022 | n/a | 2 (default) |
| Binary Code page | n/a | n/a | 3 |
| <i>Default "Automatic National Character replacement" will select the below Honeywell Code Page options for Code128, Code 39 and Code 93.</i> | | | |
| United States | ISO/IEC 646-06 | 0 | 1 |
| Canada | ISO /IEC 646-121 | 54 | 95 |
| Canada | ISO /IEC 646-122 | 18 | 96 |
| Japan | ISO/IEC 646-14 | 28 | 98 |

| Code Page Selection Method/Country | Standard | Keyboard Country | Honeywell Code Page Option |
|-------------------------------------|------------------|------------------|----------------------------|
| China | ISO/IEC 646-57 | 92 | 99 |
| Great Britain (UK) | ISO /IEC 646-04 | 7 | 87 |
| France | ISO /IEC 646-69 | 3 | 83 |
| Germany | ISO/IEC646-21 | 4 | 84 |
| Switzerland | ISO /IEC 646-CH | 6 | 86 |
| Sweden / Finland (extended Annex C) | ISO/IEC 646-11 | 2 | 82 |
| Ireland | ISO /IEC 646-207 | 73 | 97 |
| Denmark | ISO/IEC 646-08 | 8 | 88 |
| Norway | ISO/IEC 646-60 | 9 | 94 |
| Italy | ISO/IEC 646-15 | 5 | 85 |
| Portugal | ISO/IEC 646-16 | 13 | 92 |
| Spain | ISO/IEC 646-17 | 10 | 90 |
| Spain | ISO/IEC 646-85 | 51 | 91 |

| Dec | | | 35 | 36 | 64 | 91 | 92 | 93 | 94 | 96 | 123 | 124 | 125 | 126 |
|----------------|-------------------------|----------------------------|--|----|----|----|----|----|----|----|-----|-----|-----|-----|
| Hex | | | 23 | 24 | 40 | 5B | 5C | 5D | 5E | 60 | 7B | 7C | 7D | 7E |
| US | 0 | 1 | # | \$ | @ | [| \ |] | ^ | ` | { | | } | ~ |
| CA | 54 | 95 | # | \$ | à | â | ç | ê | î | ô | é | ù | è | û |
| CA | 18 | 96 | # | \$ | à | â | ç | ê | É | ô | é | ù | è | û |
| JP | 28 | 98 | # | \$ | @ | [| ¥ |] | ^ | ` | { | | } | - |
| CN | 92 | 99 | # | ¥ | @ | [| \ |] | ^ | ` | { | | } | - |
| GB | 7 | 87 | £ | \$ | @ | [| \ |] | ^ | ` | { | | } | ~ |
| FR | 3 | 83 | £ | \$ | à | ° | ç | § | ^ | μ | é | ù | è | .. |
| DE | 4 | 84 | # | \$ | § | Ä | Ö | Ü | ^ | ` | ä | ö | ü | ß |
| CH | 6 | 86 | ù | \$ | à | é | ç | ê | î | ô | ä | ö | ü | û |
| SE/FI | 2 | 82 | # | ¤ | É | Ä | Ö | Å | Ü | é | ä | ö | å | ü |
| DK | 8 | 88 | # | \$ | @ | Æ | Ø | Å | ^ | ` | æ | ø | å | ~ |
| NO | 9 | 94 | # | \$ | @ | Æ | Ø | Å | ^ | ` | æ | ø | å | .. |
| IE | 73 | 97 | £ | \$ | Ó | É | Í | Ú | Á | ó | é | í | ú | á |
| IT | 5 | 85 | £ | \$ | § | ° | ç | é | ^ | ù | à | ò | è | ì |
| PT | 13 | 92 | # | \$ | § | Ã | Ç | Õ | ^ | ` | ã | ç | õ | ° |
| ES | 10 | 90 | # | \$ | § | í | Ñ | ¿ | ^ | ` | ° | ñ | ç | ~ |
| ES | 51 | 91 | # | \$ | · | í | Ñ | Ç | ¿ | ` | ´ | ñ | ç | .. |
| COUNTRY | Country Keyboard | Honeywell Code Page | ISO / IEC 646 National Character Replacements | | | | | | | | | | | |

Unicode Key Maps

| | | | | | | | | | | | | | | | | | | | | |
|----|----|----|----|----|----|----|----|----|----|----|----|----|----|----|----|----|----|----|----|----|
| 6E | 70 | 71 | 72 | 73 | 74 | 75 | 76 | 77 | 78 | 79 | 7A | 7B | 7C | 7D | 7E | | | | | |
| 01 | 02 | 03 | 04 | 05 | 06 | 07 | 08 | 09 | 0A | 0B | 0C | 0D | 0F | 4B | 50 | 55 | 5A | 5F | 64 | 69 |
| 10 | 11 | 12 | 13 | 14 | 15 | 16 | 17 | 18 | 19 | 1A | 1B | 1C | 1D | 4C | 51 | 56 | 5B | 60 | 65 | 6A |
| 1E | 1F | 20 | 21 | 22 | 23 | 24 | 25 | 26 | 27 | 28 | 29 | 2B | | | | 5C | 61 | 66 | | |
| 2C | 2E | 2F | 30 | 31 | 32 | 33 | 34 | 35 | 36 | 37 | 39 | 53 | 5D | 62 | 67 | | | | 6C | |
| 3A | 3B | 3C | | | 3D | | | | 3E | 3F | 38 | 40 | 4F | 54 | 59 | 63 | 68 | | | |

104 Key U.S. Style Keyboard

| | | | | | | | | | | | | | | | | | | | | |
|----|----|----|----|----|----|----|----|----|----|----|----|----|----|----|----|----|----|----|----|----|
| 6E | 70 | 71 | 72 | 73 | 74 | 75 | 76 | 77 | 78 | 79 | 7A | 7B | 7C | 7D | 7E | | | | | |
| 01 | 02 | 03 | 04 | 05 | 06 | 07 | 08 | 09 | 0A | 0B | 0C | 0D | 0F | 4B | 50 | 55 | 5A | 5F | 64 | 69 |
| 10 | 11 | 12 | 13 | 14 | 15 | 16 | 17 | 18 | 19 | 1A | 1B | 1C | 2B | 4C | 51 | 56 | 5B | 60 | 65 | 6A |
| 1E | 1F | 20 | 21 | 22 | 23 | 24 | 25 | 26 | 27 | 28 | 29 | 2A | | | | 5C | 61 | 66 | | |
| 2C | 2D | 2E | 2F | 30 | 31 | 32 | 33 | 34 | 35 | 36 | 37 | 39 | 53 | 5D | 62 | 67 | | | | 6C |
| 3A | 3B | 3C | | | 3D | | | | 3E | 3F | 38 | 40 | 4F | 54 | 59 | 63 | 68 | | | |

105 Key European Style Keyboard

Auxiliary Honeywell Scanner Configuration Codes

Scan one of the following bar codes with your Honeywell hand-held scanner to configure it to communicate with the Stratos bioptic auxiliary port. If you do not see your scanner listed below, refer to your scanner's User's Guide on www.honeywellaidc.com to configure the scanner for Stratos bioptic input.

RS-232

Scan the code below to configure the following Honeywell hand-held scanner models for the **Aux RS232 In** port:

- Xenon 1900/1910, 1902/1912
- Granit 1910i/1911i, 1280i
- Voyager 1200g, 1202g, 1400g
- Vuquest 3310g

Scan this bar code with the hand-held scanner to set the baud rate to 38400 bps and the data format to 8 data bits, no parity, 1 stop bit.



PAPBIO.

Honeywell Bioptic Settings

USB Serial

Scan the code below to configure the following Honeywell hand-held scanner models for the **Aux USB In** port:

- Xenon 1900/1910, 1902/1912
- Granit 1910i/1911i
- Voyager 1400g
- Vuquest 3310g



TRMUSB130.

USB Serial

Scan the code below to configure a Honeywell Voyager 1200g or Voyager 1202g scanner for the **Aux USB In** port:



REMIFCO;PAP130.

USB Serial Emulation for Windows 2000

No extra configuration (e.g., baud rate) is necessary.



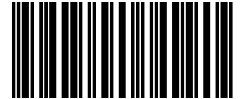
Sample Symbols

UPC-A



0 123456 7890

Interleaved 2 of 5



1234567890

Code 128



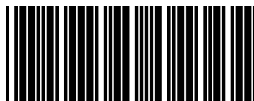
Code 128

EAN-13



9 780330 290951

Code 39



BC321

Codabar



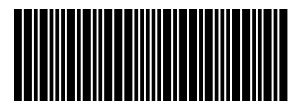
A13579B

Code 93



123456-9\$

Straight 2 of 5 Industrial



123456

Matrix 2 of 5



6543210

GS1 DataBar



(01)00123456789012

PDF417



Car Registration

Aztec



Package Label

Data Matrix



Test Symbol

QR Code



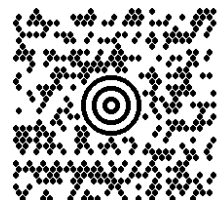
Numbers

Micro PDF417



Test Message

MaxiCode



Test Message

Programming Chart



K0K.
0



K2K.
2



K4K.
4



K6K.
6



K8K.
8



K1K.
1



K3K.
3



K5K.
5



K7K.
7



KAK.
A



KCK.
C



KEK.
E



MNUSAV.
Save



K9K.
9



KBK.
B



KDK.
D



KFK.
F



MNUABT.
Discard



RESET_
Reset

*If you make an error while scanning the letters or digits (before scanning Save), scan Discard, scan the correct letters or digits, and **Save** again.*



Honeywell Scanning & Mobility
9680 Old Bailes Road
Fort Mill, SC 29707

www.honeywellaidc.com