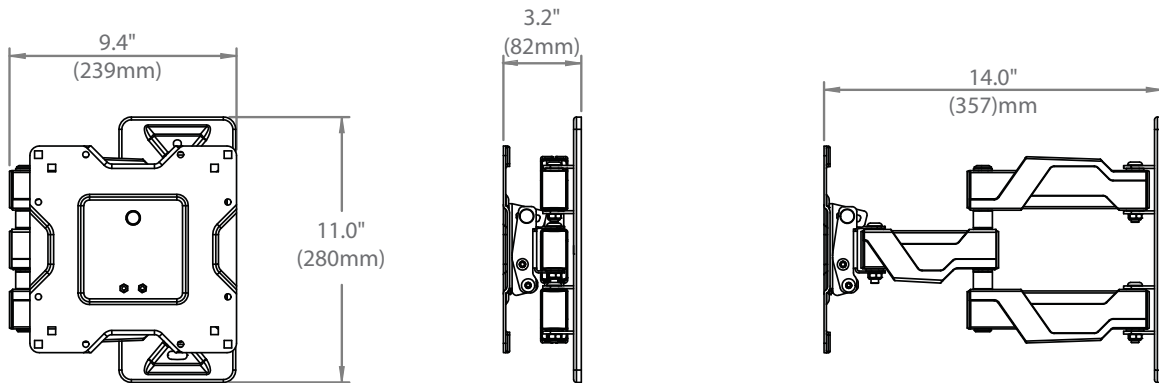


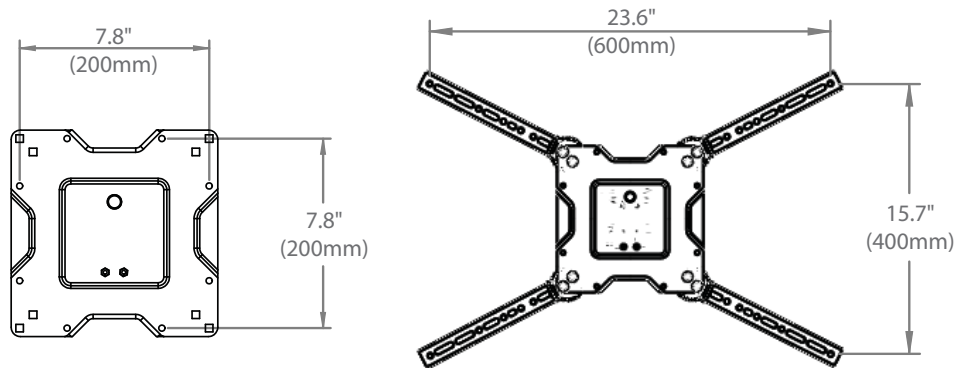
Neo-Flex Cantilever, VHD



FRONT VIEW

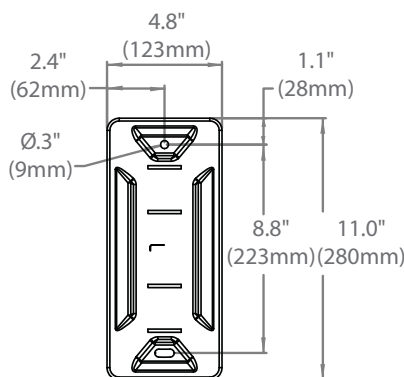
MOUNTING PROFILE

MAXIMUM EXTENSION



PANEL ATTACHMENT -
VESA COMPATIBILITY

PANEL ATTACHMENT -
VESA COMPATIBILITY
WITH ADAPTERS



WALL MOUNTING

© 2017 Ergotron, Inc. rev. 10/07/2019 DIM-NFCANTILEVER-VHD Content is subject to change without notification

**Americas Sales and
Corporate Headquarter**

St. Paul, MN USA
(800) 888-8458
+1-651-681-7600
www.ergotron.com
sales@ergotron.com

EMEA Sales

Amersfoort, The Netherlands
+31 33 45 45 600
www.ergotron.com
info.eu@ergotron.com

APAC Sales

Tokyo, Japan
www.ergotron.com
apaccustomerservice@ergotron.com

Worldwide OEM Sales

www.ergotron.com
info.oem@ergotron.com