



VESA Mount



Panel Mount



Chassis

## Highly Durable 15" Industrial Monitors with High Brightness and Multiple Mounting Options

### Flexible Installation

To meet the requirements of different industrial installations, the monitors are available in four configurations – desktop, VESA mount, panel mount, and chassis.

### High Brightness for Visibility

The maximum brightness of 400 cd/m<sup>2</sup> (320 cd/m<sup>2</sup> for the FDX1501T-A) ensures excellent screen visibility in bright ambient environments. The brightness is adjustable to as low as 0.5 cd/m<sup>2</sup>, making them easy to view in low ambient lighting conditions.

### Durable Build

Both monitors can withstand temperatures ranging from 0 - 50°C for high durability in industrial environments. In addition, the cabinets do not contain any ventilation holes, making them impervious to liquids and dust.



Monitor Top View

### Touch Panel Variation

The FDX1501T-A is equipped with an analog resistive touch panel that has a minimum touch life of 10 million touches. It accepts touch input from both bare and gloved hands as well as styluses. It is also more resistant to dust and water compared to other touch technologies for increased durability.



### Flexible Positioning

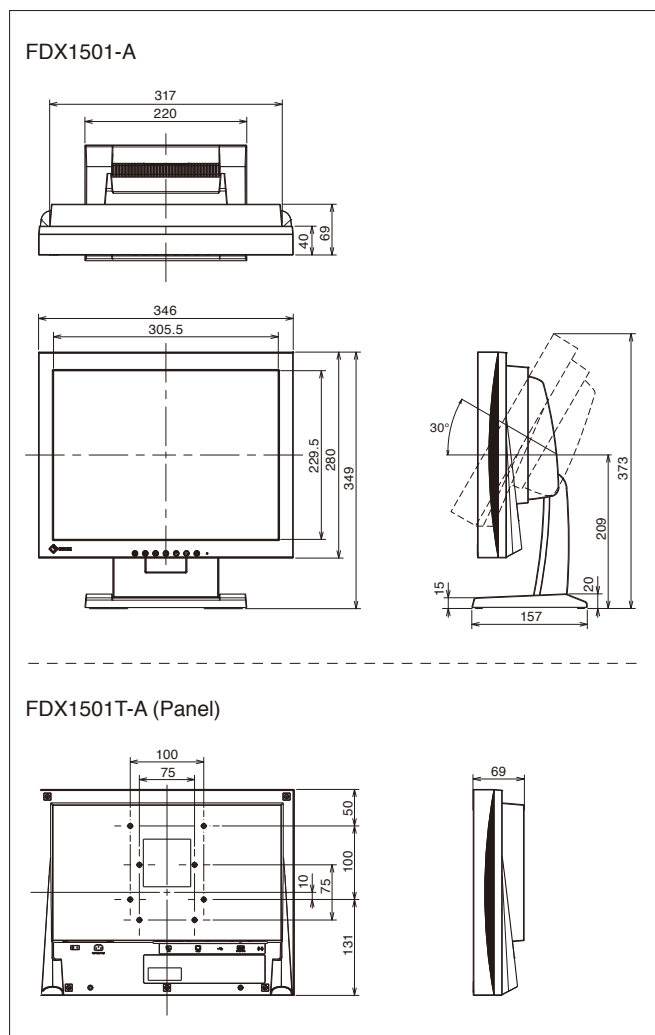
The monitors are built to operate in both standard horizontal positions and non-standard positions such as attached to a mounting device or tilted at an extreme angle.

## SPECIFICATIONS

### Additional Features

- D-Sub mini 15 pin analog input
- DVI-D 24 pin digital input
- Key lock support
- 3-year, 24 hour use manufacturer's warranty

### ■ Dimensions



	Without Touch Panel	With Touch Panel
	FDX1501-A	FDX1501T-A
<b>Model Variations</b>	With Stand, Without Stand	With Stand, Without Stand
<b>Cabinet Colors</b>	Gray, Black	Gray, Black
<b>Panel</b>	TN	TN
<b>Size</b>	15" / 38 cm (380 mm diagonal)	15" / 38 cm (380 mm diagonal)
<b>Native Resolution</b>	1024 x 768 (4:3 aspect ratio)	1024 x 768 (4:3 aspect ratio)
<b>Display Size (H x V)</b>	304.1 x 228 mm	304.1 x 228 mm
<b>Pixel Pitch</b>	0.297 x 0.297 mm	0.297 x 0.297 mm
<b>Display Colors</b>	16.77 million	16.77 million
<b>Viewing Angles (H / V, typical)</b>	160°, 160°	160°, 160°
<b>Brightness (typical)</b>	400 cd/m <sup>2</sup>	320 cd/m <sup>2</sup>
<b>Contrast Ratio (typical)</b>	600:1	600:1
<b>Response Time (typical)</b>	8 ms (Black-white-black)	8 ms (Black-white-black)
<b>Input Terminals</b>	DVI-D 24 pin x 1 (with HDCP), D-Sub mini 15 pin x 1	DVI-D 24 pin x 1 (with HDCP), D-Sub mini 15 pin x 1
<b>Digital Scanning Frequency (H / V)</b>	31 - 49 kHz, 59 - 61 Hz (VGA Text: 69 - 71 Hz)	31 - 49 kHz, 59 - 61 Hz (VGA Text: 69 - 71 Hz)
<b>Analog Scanning Frequency (H / V)</b>	24 - 61 kHz, 55 - 76 kHz	24 - 61 kHz, 55 - 76 kHz
<b>Speakers</b>	0.5 W + 0.5 W	0.5 W + 0.5 W
<b>Sound Input Terminals</b>	3.5 mm stereo jack x 1	3.5 mm stereo jack x 1
<b>Sound Output Terminals</b>	3.5 mm headphone jack x 1	3.5 mm headphone jack x 1
<b>Sound Adjustment</b>	Volume	Volume
<b>Power Requirements</b>	AC 100 - 240 V, 50 / 60	AC 100 - 240 V, 50 / 60
<b>Maximum Power Consumption</b>	15 W	15 W
<b>Typical Power Consumption</b>	6 W	6 W
<b>Power Save Mode</b>	Less than 0.5 W	Less than 0.5 W
<b>Standby Mode</b>	Less than 0.5 W	Less than 0.5 W
<b>Power Management</b>	Power Save (VESA DPM and DVI DMPM), ECO Timer	Power Save (VESA DPM and DVI DMPM), ECO Timer
<b>OSD Settings</b>	Screen Adjustment (Clock, Phase, Position, Range (Auto), Smoothing (5 stages), Color Adjustment (Brightness, Gamma, Temperature, Gain, Saturation, Hue, Reset, Color Mode), Signal Switching, Power Indicator, Product Information (name, serial number, resolution, operating time, etc.), Reset	Screen Adjustment (Clock, Phase, Position, Range (Auto), Smoothing (5 stages), Color Adjustment (Brightness, Gamma, Temperature, Gain, Saturation, Hue, Reset, Color Mode), Signal Switching, Power Indicator, Product Information (name, serial number, resolution, operating time, etc.), Reset
<b>Dimensions (Landscape, W x H x D)</b>	346 x 349 x 157 mm	346 x 349 x 157 mm
<b>Dimensions (Without Stand, W x H x D)</b>	346 x 280 x 69 mm	346 x 280 x 69 mm
<b>Net Weight</b>	5.4 kg	5.8 kg
<b>Net Weight (Without Stand)</b>	3.0 kg	3.4 kg
<b>Tilt</b>	30° Up, 0° Down	30° Up, 0° Down
<b>Certifications &amp; Standard</b>	CB, CE, CTUVus, FCC-B, Canadian ICES-003-B, TUV/S, VCCI-B, CCC, RCM, RoHS, WEEE, China RoHS, J-Moss Green mark Guideline	CB, CE, CTUVus, FCC-B, Canadian ICES-003-B, TUV/S, VCCI-B, CCC, RCM, RoHS, WEEE, China RoHS, J-Moss Green mark Guideline
<b>Supplied Accessories</b>	Signal cable (D-Sub - D-Sub), audio cable, setup manual, CD-ROM (PDF user's manual, touch panel driver), clamper, screw for clamper, screws for mount option (Freemount Only)	Signal cable (D-Sub - D-Sub), USB cable, audio cable, setup manual, CD-ROM (PDF user's manual, touch panel driver), clamper, screw for clamper, screws for mount option (Freemount Only)
<b>Warranty</b>	Three Years	Three Years

### Touch Panel

<b>Type</b>	-	Analog resistive
<b>Communication Protocol</b>	-	USB 2.0 / RS-232C
<b>Touch Life</b>	-	10 million touches (minimum)
<b>Compatible OS</b>	-	Windows 7(64bit, 32 bit) / Vista(32-bit) / XP(32-bit)



EIZO Europe:

Austria ♦ [www.eizo.at](http://www.eizo.at)  
 Belgium & Luxembourg ♦ [www.eizo.be](http://www.eizo.be)  
 Czech Republic ♦ [www.eizo.cz](http://www.eizo.cz)

Germany ♦ [www.eizo.de](http://www.eizo.de)  
 Hungary ♦ [www.eizo.hu](http://www.eizo.hu)  
 Italy ♦ [www.eizo.it](http://www.eizo.it)

Slovakia ♦ [www.eizomonitor.sk](http://www.eizomonitor.sk)  
 The Netherlands ♦ [www.eizo.nl](http://www.eizo.nl)  
 United Kingdom ♦ [www.eizo.co.uk](http://www.eizo.co.uk)