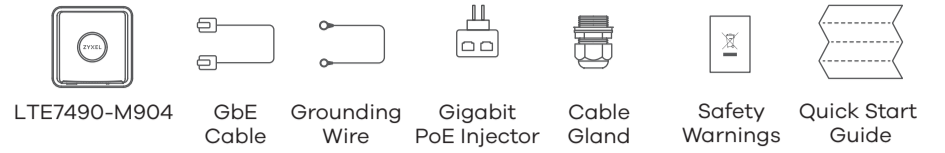


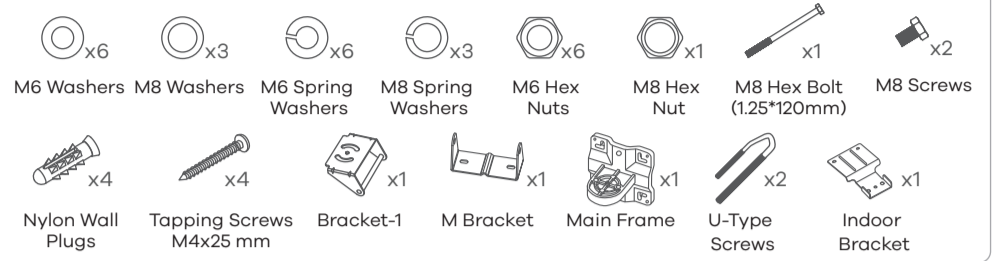
### Quick Start Guide



### Package Contents



### Mounting Kit



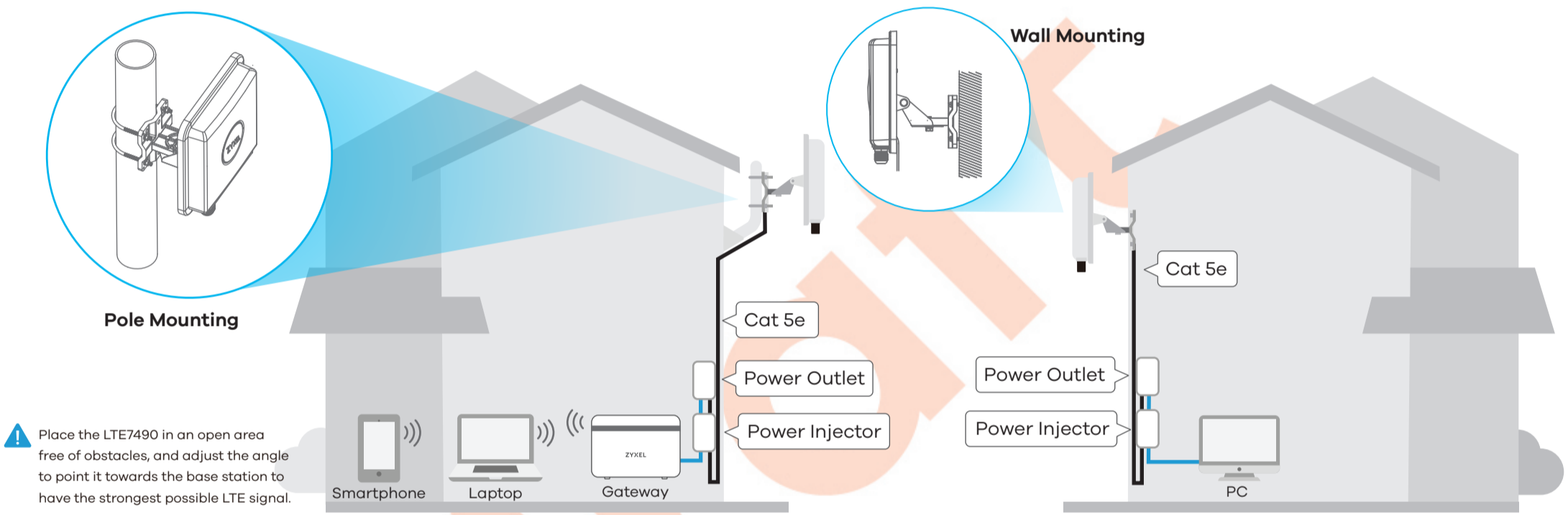
See the User's Guide at [www.zyxel.com](http://www.zyxel.com) for more information, including customer support and safety warnings.

### EU Importer

Zyxel Communications A/S  
 Gladsaxevej 378, 2. th. 2860 Søborg, Denmark  
<https://www.zyxel.com/dk/da/>

Copyright © 2020 Zyxel Communications Corp. All Rights Reserved.

### Location Examples



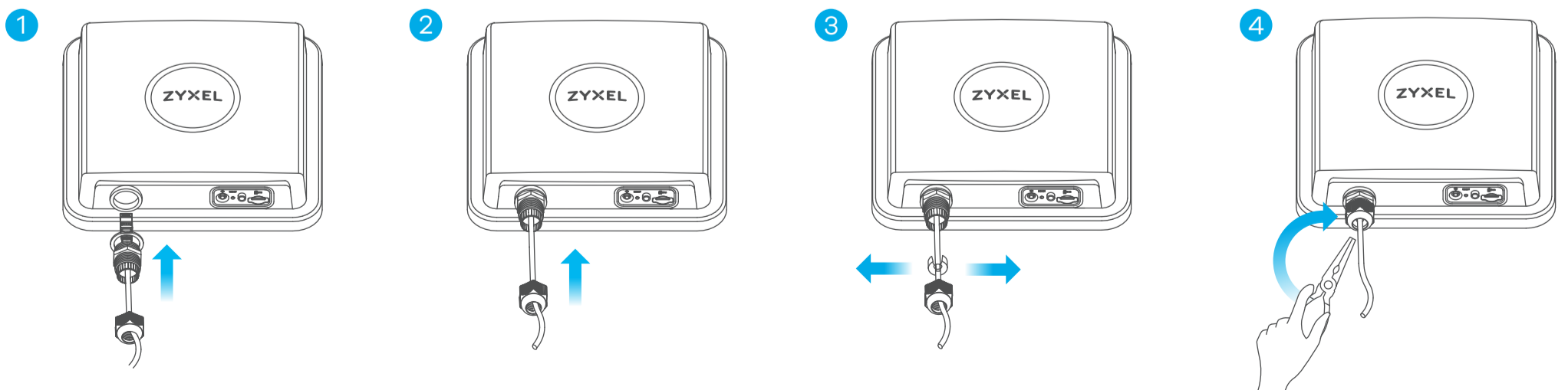
### Step 1 SIM Card Installation



① Make sure the LTE7490 is turned off. There should be no Ethernet cable connected providing power using PoE. Unscrew the SIM card slot cover and remove it.

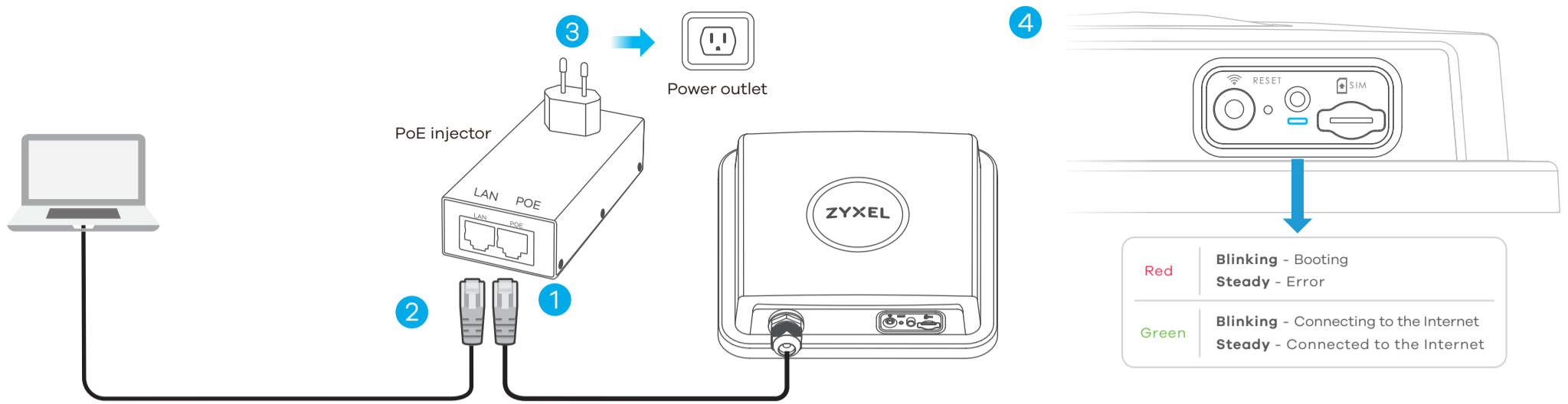
② Insert your SIM card provided by an LTE ISP (Internet Service Provider).

### Step 2 Cable Connections



①-④ Follow steps 1 to 4 in the drawing to connect an 8-pin Cat 5e Ethernet cable to the LTE7490's LAN port.

## Step 3 Cable Connections

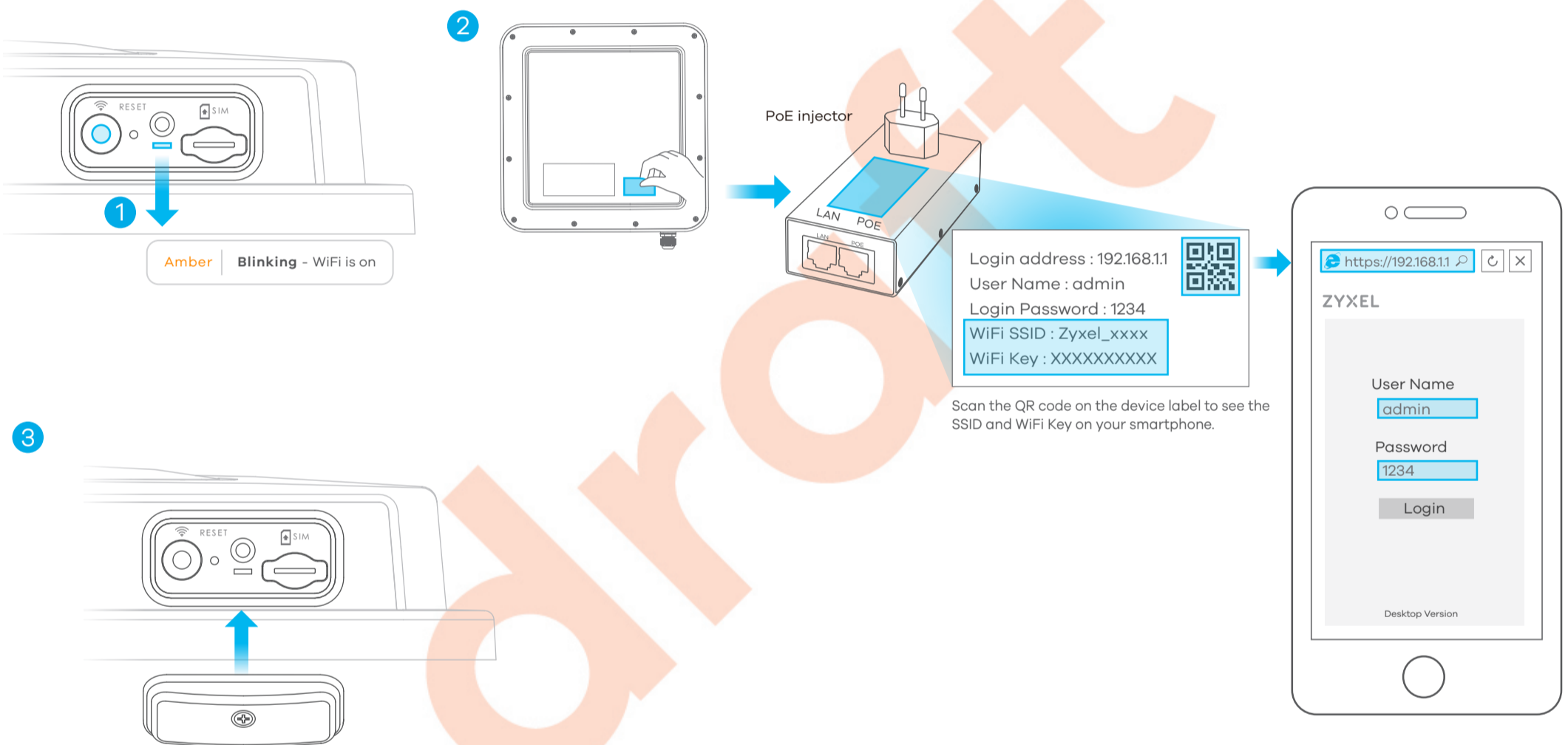


- 1 Connect the other end of the Ethernet cable to the provided PoE injector's **OUT** port.
- 2 Connect the **IN** port of the injector to a computer with an Ethernet cable for initial configuration.

- 3 Connect the power plug on the PoE injector to a power outlet.
- 4 Check the LED next to the SIM card slot.

Red	<b>Blinking</b> - Booting <b>Steady</b> - Error
Green	<b>Blinking</b> - Connecting to the Internet <b>Steady</b> - Connected to the Internet

## Step 4 Connecting WiFi to Your LTE7490 for Easy Setup



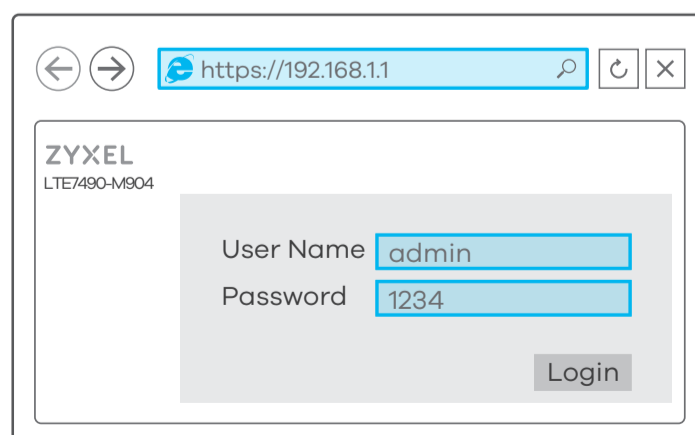
- 1 Check if WiFi is on - the amber LED is blinking. If not, press the WiFi button to enable WiFi.
- 2 Remove the label from the back of the LTE7490 and put it on the injector. Connect to the LTE7490 WiFi network using the **WiFi SSID** and **WiFi Key** on the injector label, or on your smartphone simply scan the QR code to connect.

- 3 Screw the SIM card slot cover back into place.

## Configuring Your LTE7490 (Optional)

<https://192.168.1.1>

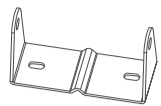
User Name: **admin**  
Login Password: **1234**



Open a web browser and go to <https://192.168.1.1>.  
Enter the default username (**admin**) and password (see label), and then click **Login**.  
See the User's Guide at [www.zyxel.com](http://www.zyxel.com) for more information.

## Step 5 Pole / Wall Mounting: Connect M Bracket and Main Frame

M Bracket



x1

M6 Hex Nuts



x2

Spring Washers

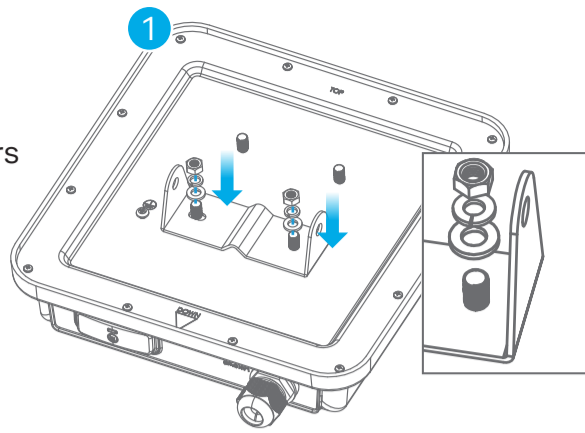


x2

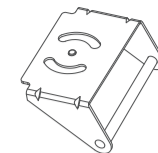
Washers



x2

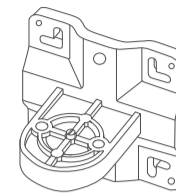


Bracket-1

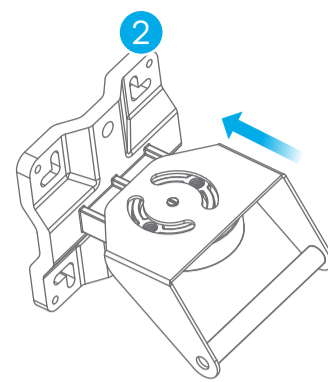


x1

Main Frame



x1



M8 Screws



x2

M8 Spring Washers

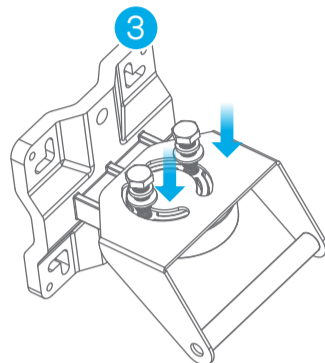


x2

M8 Washers



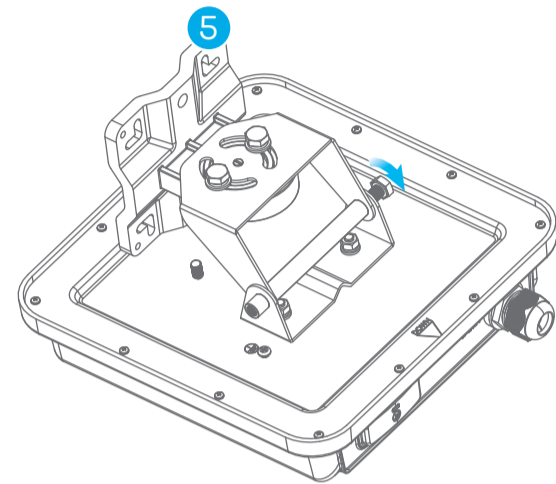
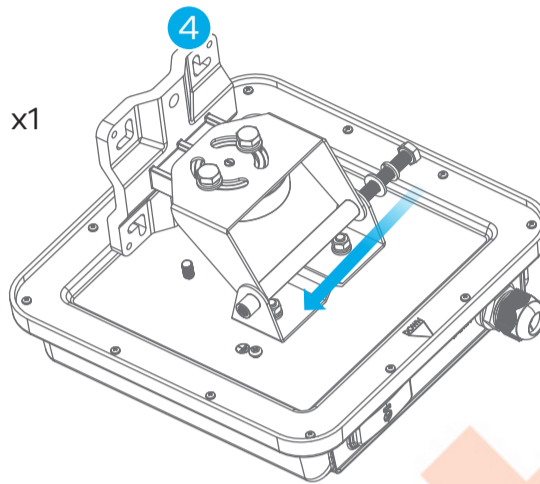
x2



M8 bolt



x1



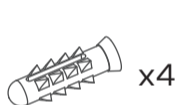
① Use washers, spring washers, and nuts to attach the M-type bracket to the back of the LTE7490.

②-③ Follow steps 2-3 in the drawing to attach the rotating bracket to the mounting main frame using washers, spring washers, and hex nuts. Do not tighten the nuts until you adjust the mounting angle in the final step.

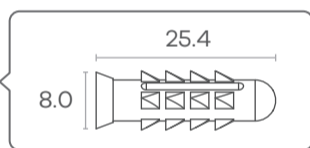
④-⑤ Follow steps 4-5 in the drawing to align the rotating bracket with the M-type bracket, insert the M8 bolt through the holes, and use washers, spring washers, and nuts to secure it.

### Wall Mounting (Optional)

Four Nylon Wall Plugs



x4

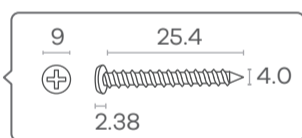


Unit: mm

M4 Screws

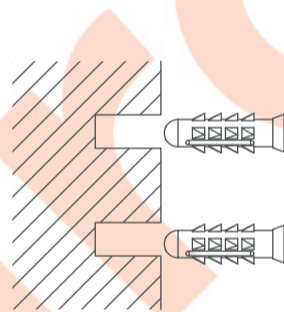


x4

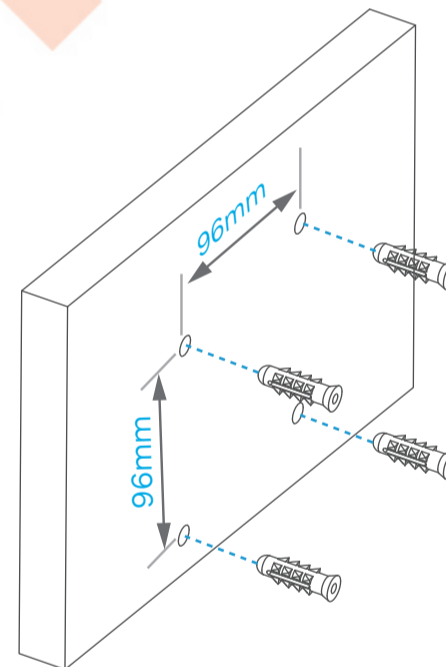


Unit: mm

①



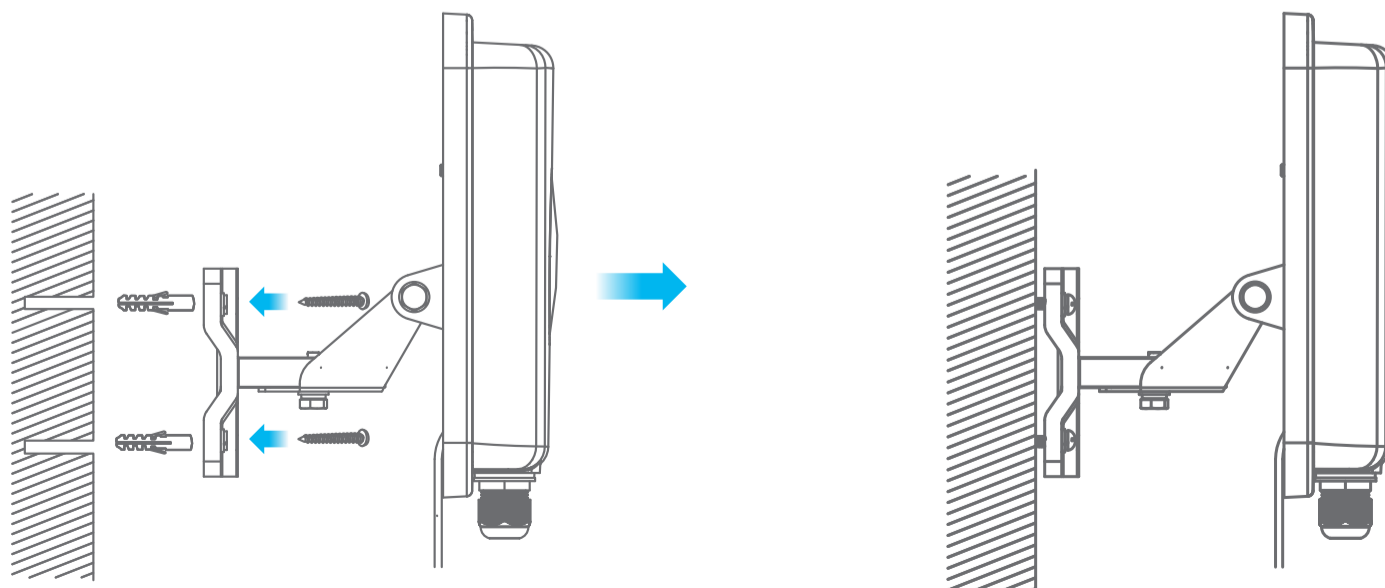
②



① Use the four corner holes of the M bracket to mark holes on a wall. Drill four holes in a wall.

② Insert the screw anchors and screws into the holes.

③



③ Insert nylon wall plugs into the wall. Use mounting screws to secure the main frame to the wall through the nylon plugs.

## Pole Mounting (Optional)

### U-Type Screws



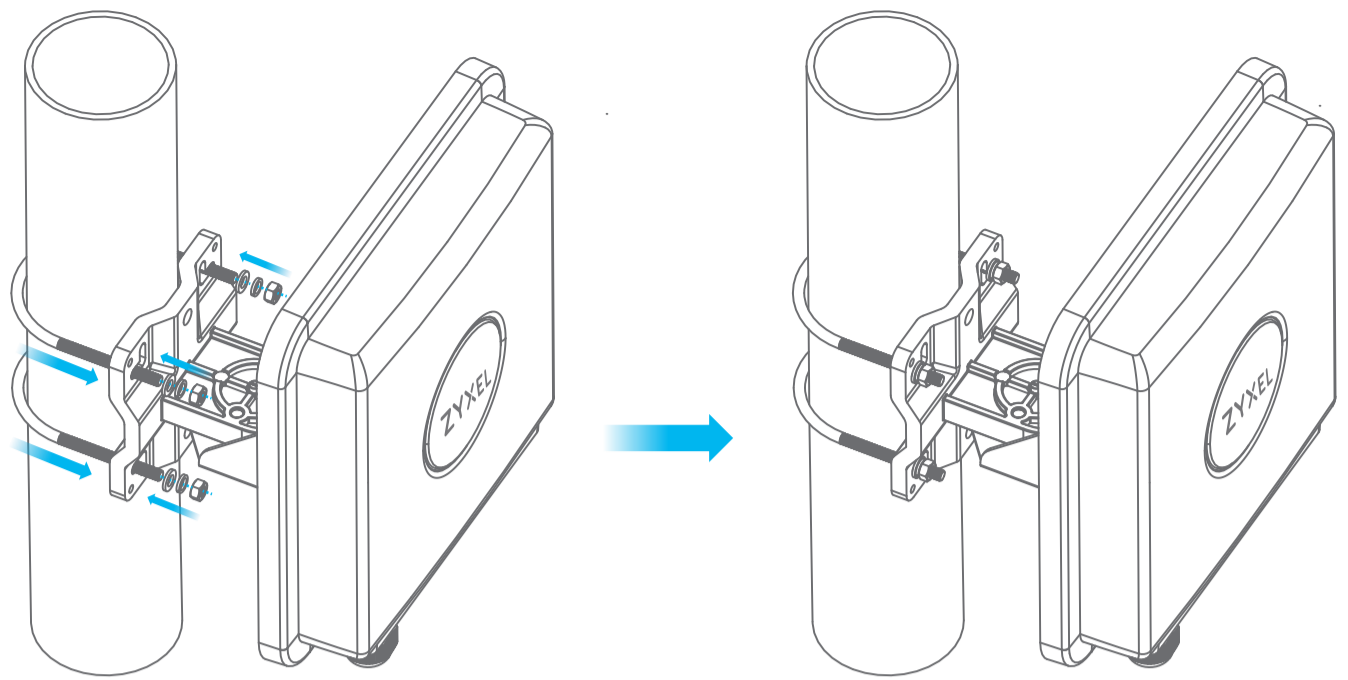
### M6 Washers



### M6 Hex Nuts



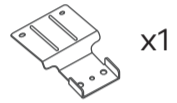
### M6 Spring Washers



- ① Place the U-bolt around a pole. Insert the U-bolt into the holes on the main frame. Use a wrench to secure the main frame to the pole with the washers, spring washers, and nuts.

## Table Stand (Optional)

### Indoor Bracket



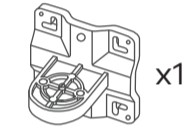
### M6 Hex Nuts



### M8 Screws



### Main Frame



### M6 Spring Washers



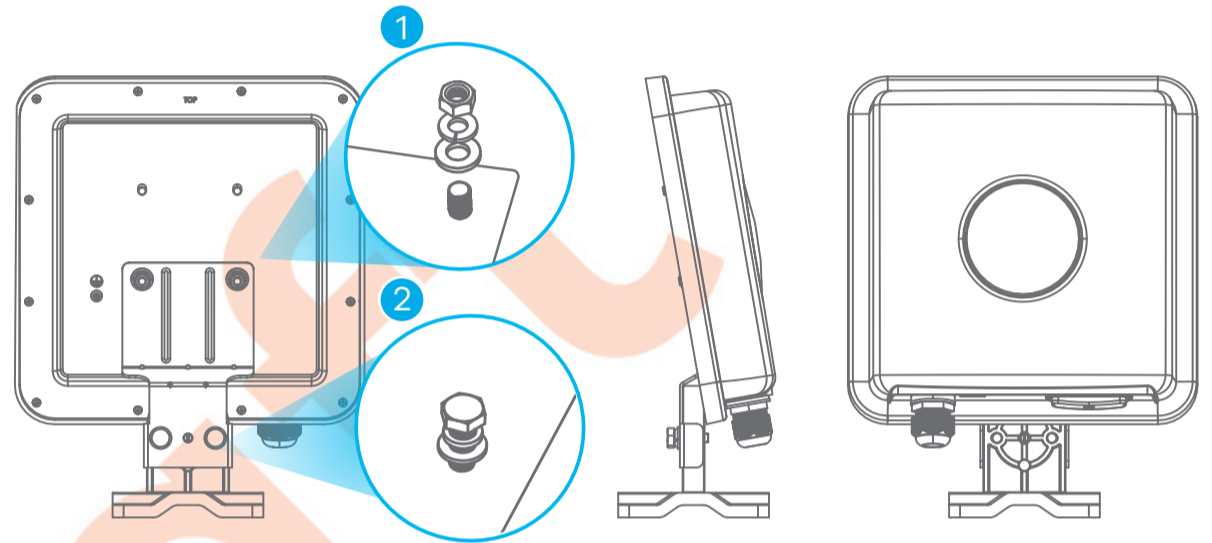
### M8 Spring Washers



### M6 Washers



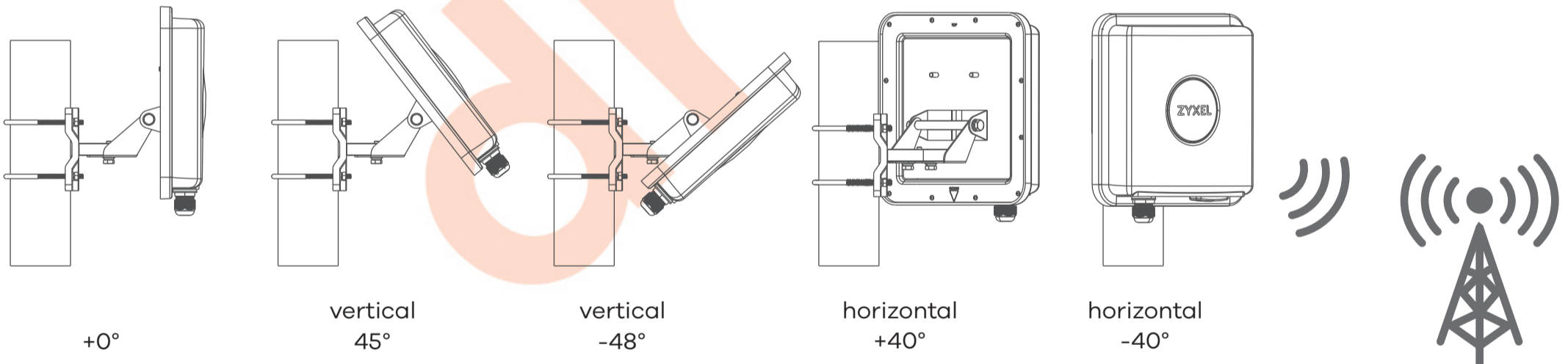
### M8 Washers



- ① Use washers, spring washers, and nuts to attach the indoor bracket to the back of the device.

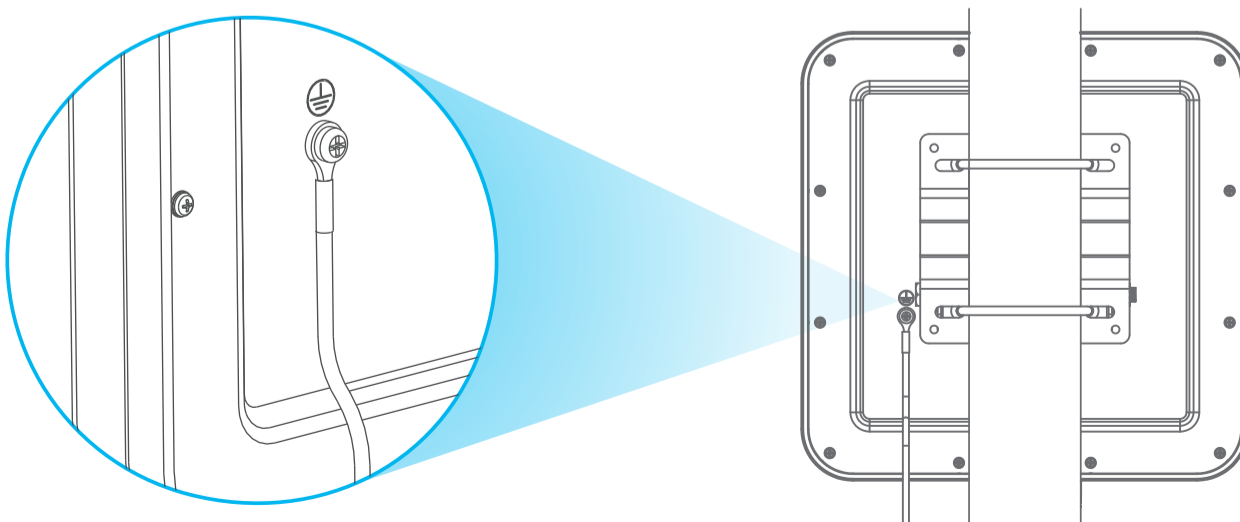
- ② Use washers, spring washers, and screws to attach the main frame to the indoor bracket.

## Step 6 Pole / Wall Mounting Angle Adjustment



Connect the PoE injector to a power outlet. Use the LTE Ally app to find the optimal LTE signal strength and manage your LTE7490.  
Note: After configuring the LTE7490, turn WiFi off.

## Step 7 Grounding



Secure a green/yellow ground cable (18 AWG or smaller) to the LTE7490's rear panel using the M4 ground screw. Attach the other end of the cable to the ground, either to the same ground electrode as the pole you installed the device on or to the main grounding electrode of the building. Follow your country's regulations and safety instructions to electrically ground the device properly. Qualified service personnel must confirm that the building's protective earthing terminal is valid.