



QUICK START GUIDE



Cisco ASR 1006 Router

- 1 Documentation and Resources
- 2 Prepare for Installation
- 3 Rack-Mount the Router
- 4 Connect the Router to the Network
- 5 Start the System
- 6 Configure the Router
- 7 After Installation

1 Documentation and Resources

Documentation for the Cisco ASR 1000 Series Aggregation Services Routers is available online with the exception of the regulatory compliance and safety documentation and the *Cisco ASR 1000 Series Aggregation Services Routers* documentation flyer. Refer to the following documentation for installation and replacement of parts (including shared port adapters) and regulatory compliance information:

- Shared port adapter documentation—See [Cisco ASR 1000 Series Aggregation Services Routers SIP and SPA Hardware Installation Guide](#).
- Hardware installation documentation—See [Cisco ASR 1000 Series Aggregation Services Routers Hardware Installation Guide](#).

Document Revision History

The following table records the technical changes made in this document.

Document Version	Date	Change Summary
OL-13209-05	March 2011	Added information about the ASR1013/06-PWR-DC and ASR1013/06-PWR-AC power supplies that are now supported by the Cisco ASR 1006 Router.
OL-13209-04	August 2010	Updated the information about the rack unit vertical space and added important notices.
	February 2009	Added Cisco ASR1000-RP2 to the Cisco ASR1000 platform (for details, see <i>Cisco ASR 1000 Series Aggregation Services Routers Hardware Installation Guide</i>).
OL-13209-03	November 2008	Improved the two-minute window allotted time to replace a power supply. You now have up to a maximum of five minutes to replace a power supply.
OL-13209-02	October 2008	Support for Cisco ASR1000-ESP20
OL-13209-01	May 2008	First version of this document.

2 Prepare for Installation

This section contains information about tools and parts, warnings, site preparation information, and information for rack-mount installation and equipment shelf or tabletop installation.



Warning Only trained and qualified personnel should install, replace, or service this equipment. Statement 1030

Before beginning this router installation, read the *Regulatory Compliance and Safety Information for the Cisco ASR 1000 Series Aggregation Services Routers* document.

Site Preparation and Unpacking

- Lift the router safely out of the packing container.
- Ensure the power service at the site is suitable for the router you are installing.
- Check the packing slip to ensure that all the proper components are present.
- Locate and have accessible the Site Log for recording information about this installation.

Tools and Parts

Use the following list of tools and parts as a checklist for preparing to install the Cisco ASR 1000 Series Aggregation Services Router:

- ESD-preventative wrist strap
- AC power cord
- Appropriate cables to connect the router to the network and to the console terminal
- Optional tape measure and level
- Screwdrivers: Number 2 Phillips screwdriver and 3/16-inch flat-blade screwdriver
- Grounding lug and wires

- The rack-mount and cable-management kit:
 - Four 19-inch rack-mount brackets (front and rear rails) and two cable-management brackets
 - Three sets of screws: one set for front rack-mount brackets (black screws), another set for rear rack-mount brackets, and a set for the cable-management brackets (package with four screws)

Prepare for Equipment Shelf or Tabletop Installation

For a equipment shelf or tabletop installation, verify the following before installing the router:

- The router is off the floor and has adequate ventilation.
- An adequate chassis ground (earth) connection exists for the router.
- The router needs at least 3 inches (7.62 cm) of clearance at the inlet and exhaust vents (sides of router).
- The router needs 19 inches (48.26 cm) of clearance at the front and rear to allow for field-replaceable unit replacement or installation, or to access cables or equipment.
- The shared port adapters are installed. If shared port adapters are not installed, then the slots must not be empty. Use filler panels for an empty slot.

Prepare for Rack-Mount Installation

Before you begin the rack-mounting tasks:

- Decide whether or not you want to front rack-mount or rear rack-mount the chassis
- Decide whether or not you want to attach cable-management brackets to your chassis.



Note If you install cable-management brackets, make certain that the chassis is installed in the equipment rack first.

- Decide if a two-post or four-post rack-mount will be used.

3 Rack-Mount the Router

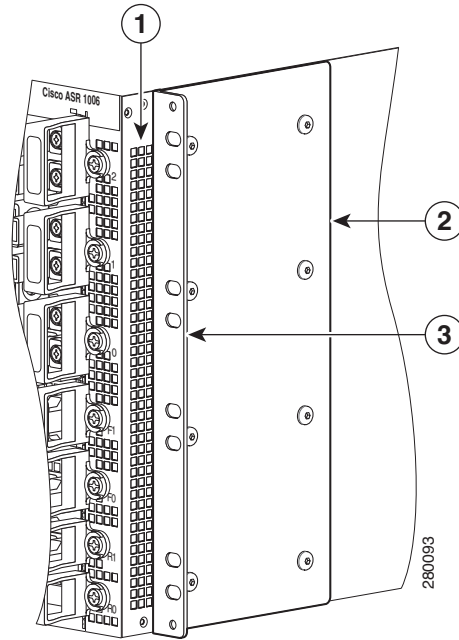
This section provides information for rack-mounting the router.

Attach the Rack-Mount Brackets—Chassis Front-Mounted

To install the rack-mount brackets on a Cisco ASR 1006 Router for a front rack-mount configuration, follow these steps:

-
- Step 1** Locate the threaded holes in the front sides of the chassis. Make certain that you hold the front rack-mount bracket with the ear and holes facing outward and towards the front of the chassis.
 - Step 2** Align the rack-mount bracket to the side of the router. Depending on which set of rack-mount bracket holes you choose to use to attach the rack-mount bracket to the router, the chassis will either be recessed in the rack or protrude from the rack.
 - Step 3** Position the front rack-mount bracket top hole with the chassis first top hole behind the side vent holes as shown in [Figure 1](#).

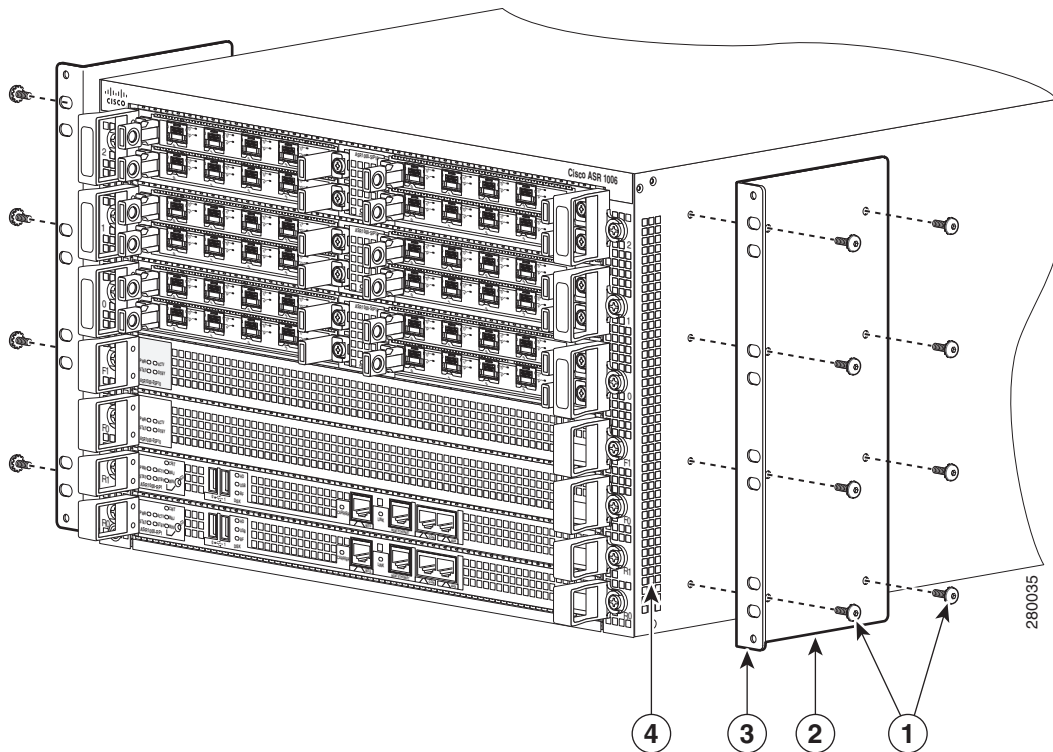
Figure 1 Cisco ASR 1006 Router Vent Hole Location and Front Rack-Mount Brackets



1	Chassis vent hole location	3	Front rack-mount bracket ear holes
2	Front rack-mount bracket	—	—

Step 4 Insert and tighten the black screws on one side.

Figure 2 Front Rack-Mount Brackets for the Cisco ASR 1006 Router



1	Front rack-mount bracket screws	3	Front rack-mount bracket ear holes
2	Front rack-mount bracket	4	Side vent location

Step 5 Repeat Step 1 through Step 4 on the other side of the chassis. Use black screws to secure the rack-mount brackets to the chassis.

Step 6 To install the Cisco ASR 1006 Router in the equipment rack, see [“Four-Post Rack Installation”](#) section on page 6 or [“Two-Post Rack Installation”](#) section on page 8.

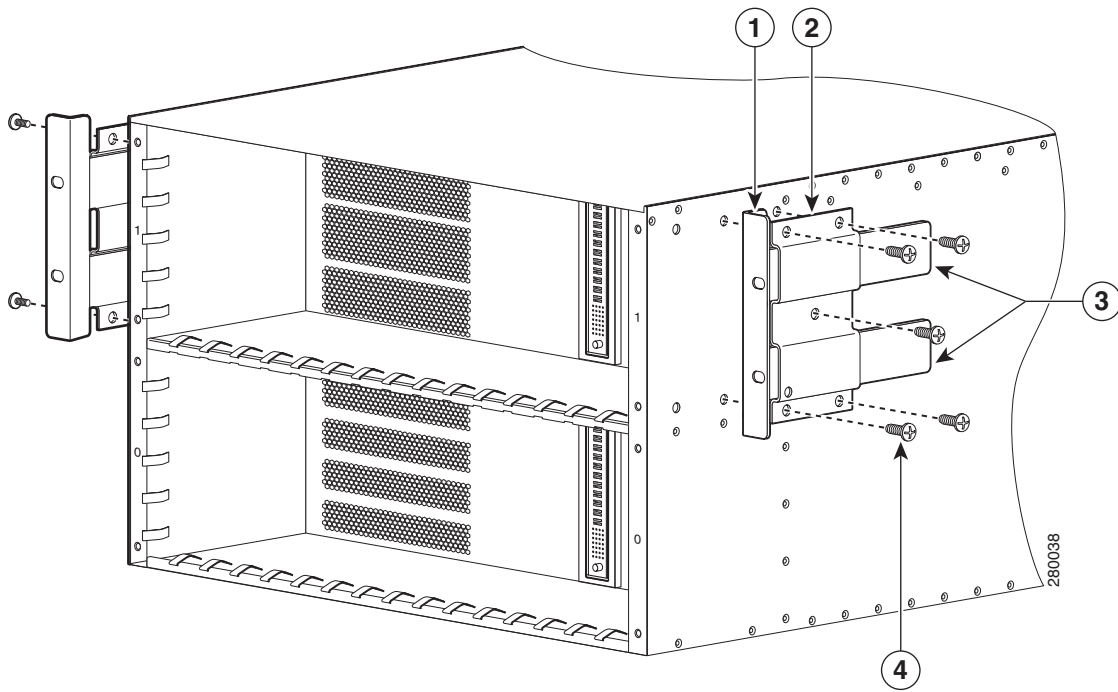
Attach the Rack-Mount Brackets—Chassis Rear Rack-Mounted

To install the rack-mount on a Cisco ASR 1006 Router for a rear rack-mount configuration, follow these steps:

Step 1 Locate the threaded holes in the rear sides of the chassis.

Step 2 Position the rear rack-mount bracket top hole with the chassis second top hole in from the back (See [Figure 2](#)). Make certain that you hold the rear rack-mount bracket with the earholes facing outward and towards the rear of the chassis. Align the rack-mount bracket to the side of the router. Attaching the Rear Rack-Mount Brackets to the Cisco ASR 1006 Router.

Figure 3 Cisco ASR 1006 Router Rear Rack-Mounting



1	Rear rack-mount bracket attached to the chassis	3	Components that slide into the mounted bracket
2	Rear rack-mount bracket component	4	Rear rack-mount bracket screw

- Step 3** Insert and tighten the five screws. After the bracket is secured to the side of the chassis, slide the two remaining components (item 3, [Figure 3](#)) into the side rack-mount bracket.
- Step 4** Repeat Step 1 through Step 3 on the other side of the chassis. Use five screws on each side to secure the rear rack-mount brackets to the chassis.

This completes the procedure for attaching rear rack-mount brackets to the chassis. Continue on to [Four-Post Rack Installation, page 6](#) or [Two-Post Rack Installation, page 8](#).

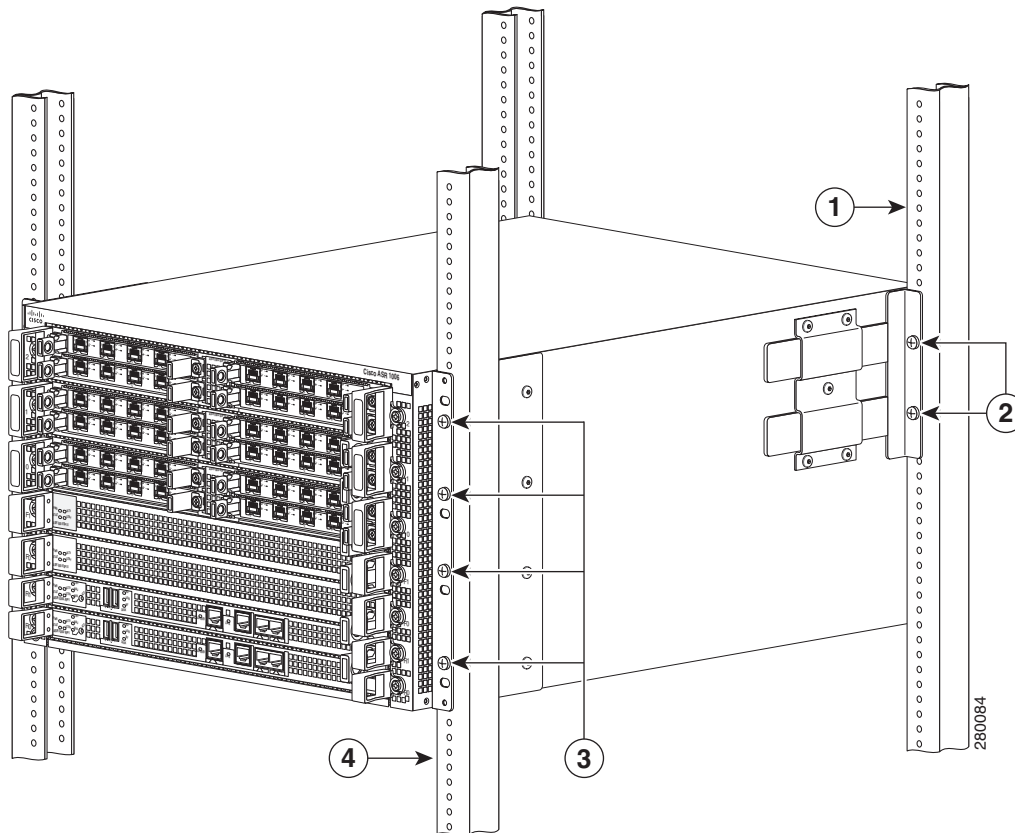
Read the following important notices before you begin to install the chassis into an equipment rack:

- The Cisco ASR 1006 Router requires a minimum of 6 rack units (10.45 inches or 26.6 cm) of vertical rack space. Measure the proposed rack location before mounting the chassis in the rack.
- Maintain a minimum clearance of 3 inches (7.62 cm) for the front and rear of the chassis for proper chassis cooling. Avoid placing the chassis in an overly congested rack or directly next to another equipment rack; otherwise, the heated exhaust air from other equipment can enter the inlet air vents and cause an over-temperature condition inside the router.
- If rack space allows, it is recommended to leave one rack unit (1.75 inch or 4.45 cm) of vertical clearance between the chassis and any equipment directly above it or below.

Four-Post Rack Installation

This section describes the types of racks used for rack-mounting the chassis.

Figure 4 Installing the Cisco ASR 1006 Router in a Four-Post Rack



1	Rear of four-post rack	3	Ear holes for the chassis front rack-mount bracket
2	Ear holes for the chassis rear rack-mount bracket	4	Front of four-post rack

Note Because the rack-mount brackets support the weight of the entire chassis, be sure to use all screws to fasten the two rack-mount brackets on the chassis to the rack posts.

Note We recommend that you allow at least 1 or 2 inches (2.54 or 5.08 cm) of vertical clearance between the router and any equipment directly above and below it.

To install the chassis in a four-post rack, complete the following steps:

- Step 1** Make sure the rack brakes are locked or the rack is stabilized.
- Step 2** Mount the chassis by securing the rack-mount brackets to two posts or mounting strips in the rack using the screws provided.
- Step 3** On the chassis, ensure that all screw fasteners on the installed components are securely tightened.
- Step 4** Make sure that your path to the rack is unobstructed.
- Step 5** (Optional) Install a shelf in the rack to support the Cisco ASR 1006 Router.
- Step 6** Lift the chassis into position between the rack posts (requires two people).

- Step 7** Align the mounting bracket holes with the rack post holes and attach the chassis to the rack. At this point, if there is a third person, then that person can insert the screws while the other two people hold that chassis in place, unless the chassis is resting on a shelf).
- Step 8** Position the chassis until the rack-mounting ears are flush against the mounting rails on the rack.
- Step 9** Hold the chassis in position against the mounting rails and follow these steps:
- Insert the bottom screw into the third hole up from the bottom of the rack mount ear and use a hand-held screwdriver to tighten the screw to the rack rail.
 - Insert the top screw into the third hole down from the top of the rack-mount bracket ear and tighten the screw to the rack rail.
 - Insert a screw in the middle of the rack-mount bracket on both sides of the chassis. See [Figure 4](#). Repeat these steps for the other side of the chassis.



Note

As a result of using the specified rack-mount bracket ear holes, the cable-management bracket can be easily attached to the rack-mount bracket when the chassis is in the rack.

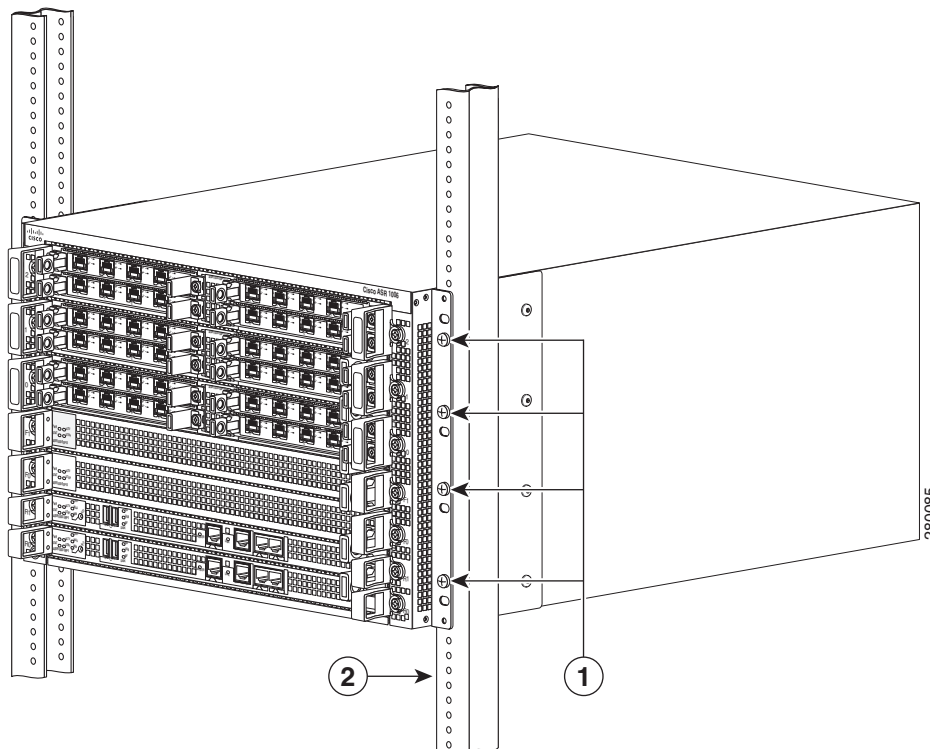
This completes the procedure for installing the chassis in the four-post rack. Proceed to the [“Attach the Cable-Management Bracket”](#) section on [page 9](#) to continue the installation.

Two-Post Rack Installation



Note Inner clearance (the width between the inner sides of the two posts or rails) must be at least 19 inches (48.26 cm). The height of the chassis is 1.73 inches (4.39 cm). Airflow through the chassis is from front to back.

Figure 5 *Installing the Cisco ASR 1006 Router in a Two-Post Rack*



1	Front rack-mount bracket ear hole location	2	Two-post rack equipment
----------	--	----------	-------------------------

**Caution**

If you are using a two-post rack, secure the rack to the floor surface to prevent tipping and avoid bodily injury and component damage.

Step 1 Position the chassis so the front is closest to you and lift it carefully into the rack. To prevent injury, avoid any sudden twists or moves.

Step 2 Slide the chassis into the rack, pushing it back until the rack-mount brackets meet the mounting strips or posts on both sides of the rack.

Step 3 Position the chassis until the rack-mounting ears are flush against the mounting rails on the rack.

**Note**

To allow space to attach the cable-management brackets to the chassis in the rack easily, make certain that you use the rack-mount bracket ear holes specified in Step 4.

Step 4 Hold the chassis in position against the mounting rails and follow these steps:

- a. Insert the bottom screw into the third hole up from the bottom of the rack mount ear and use a hand-held screwdriver to tighten the screw to the rack rail.
- b. Insert the top screw into the third hole down from the top of the rack-mount bracket ear and tighten the screw to the rack rail.
- c. Insert a screw in the middle of the rack-mount bracket on both sides of the chassis. See [Figure 4](#).

Step 5 Repeat these steps for the other side of the chassis.

**Note**

As a result of using the specified rack-mount bracket ear holes, the cable-management bracket can be easily attached to the rack-mount bracket when the chassis is in the rack.

This completes the procedure for installing the chassis in a two-post rack. Proceed to the [“Attach the Cable-Management Bracket” section on page 9](#) to continue the installation.

Attach the Cable-Management Bracket

The cable-management brackets mount to each rack-mount bracket on the chassis to provide cable-management to both sides of the chassis (parallel with card orientation). These brackets are screw mounted to the rack-mount brackets to allow easy installation and removal of cables.

The cable-management brackets for the Cisco ASR 1006 Router contain 5 independent cable-management “U” type features with four screws and provides cable dressing of each card module slots. For Cisco ASR 1000 SIPs, these brackets work in tandem with shared port adapter product feature cable-management device to allow installation and removal of adjacent cards without the need to remove cables.



Note Make certain that the cable-management bracket “U” type feature is facing upwards when you attach it to the chassis as shown in [Figure 6](#).

Follow these steps to attach the cable-management brackets to both sides of the Cisco ASR 1006 Router in the rack:

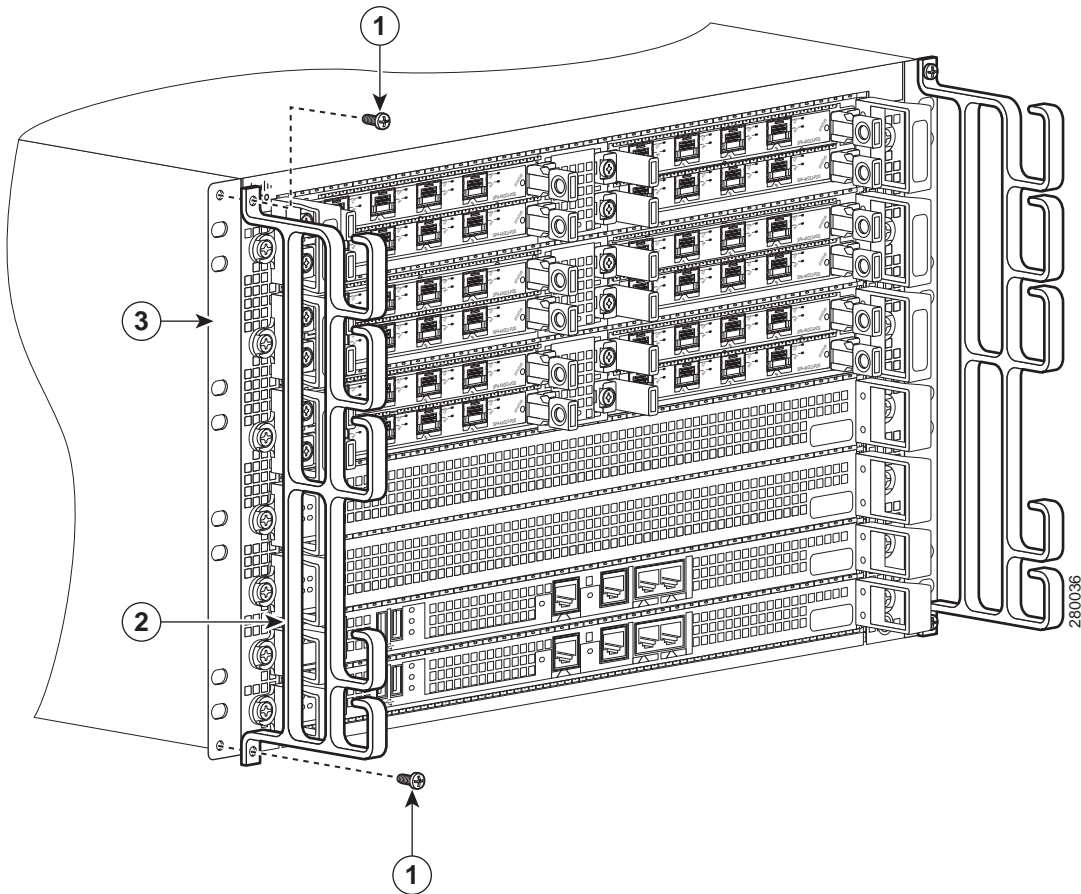
Step 1 Align the cable-management bracket to the rack-mount bracket on one side of the Cisco ASR 1006 Router. The cable-management bracket aligns to the top hole of the chassis rack-mount bracket.

Step 2 Using a Phillips screwdriver, insert one screw through cable-management bracket and into the chassis rack-mount and tighten the screw.



Note Use the package of four screws that came with your chassis (two screws for each bracket).

Figure 6 *Attaching the Cable-Management Bracket to the Cisco ASR 1006 Router*



1	Cable-management bracket screw location	3	Chassis front rack-mount bracket and ear holes
2	Cable-management bracket	—	—

Step 3 Using the bottom rack-mount ear hole, insert the screw through cable-management bracket and into the chassis rack-mount bracket (see [Figure 6](#)).

Step 4 Using a Phillips screwdriver and the cable-management screw, thread and tighten the screw to the cable-management bracket.

Step 5 Repeat Step 1 through Step 4 for the other side of the Cisco ASR 1006 Router.

This completes the procedure for installing the cable-management bracket on a Cisco ASR 1006 Router for a rack-mount configuration.

Chassis Ground Connection Installation

Before you connect power or turn on power to your router, you must provide an adequate chassis ground (earth) connection for the router chassis. A ground connector is provided on each Cisco ASR 1006 Router. See [Figure 7](#).

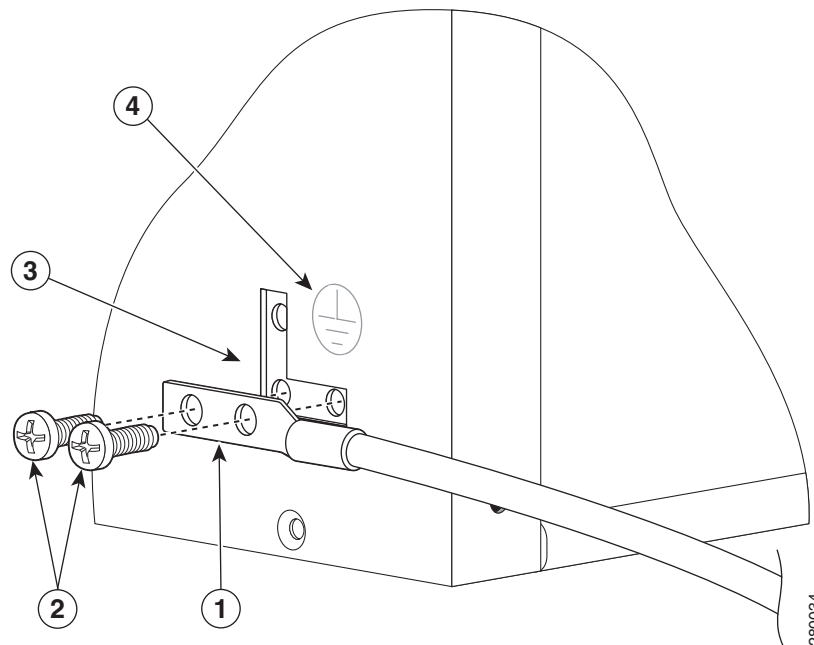


Caution The dual-lug chassis stud must be installed, the SIP and SPA must be fully inserted and screwed in and earthed to prevent a potential hazard in a telecom line.

Have the recommended tools and supplies available before you begin this procedure: Phillips screwdriver, dual-lug chassis ground component, and grounding wire.

- Step 1** Use the wire stripper to strip one end of the AWG #6 gauge wire approximately 0.75 inches (19.05 mm).
- Step 2** Insert the AWG #6 gauge wire into the wire receptacle on the grounding lug.
- Step 3** Use the crimping tool to carefully crimp the wire receptacle around the wire; this step is required to ensure a proper mechanical connection.
- Step 4** Attach the grounding lug with the wire so the grounding wire does not overlap the power supply.

Figure 7 Attaching a Grounding Lug to the Chassis Ground Connector



1	Chassis earth ground studs and lead wire	3	Earth ground connector on the chassis
2	Grounding screws	4	Earth ground symbol

- Step 5** Locate the chassis ground connector on the side of your chassis.
- Step 6** Insert the two screws through the holes in the grounding lug.
- Step 7** Use the Number 2 Phillips screwdriver to carefully tighten the screws until the grounding lug is held firmly to the chassis. Do not overtighten the screws.

Step 8 Connect the opposite end of the grounding wire to the appropriate grounding point at your site to ensure an adequate chassis ground.

This completes the procedure for attaching a chassis ground connection. Go to the [“Connect the Router to the Network”](#) section on page 12 for information on attaching cables.

4 Connect the Router to the Network

This section provides information about cables and ports and attaching the router to the network.

- [Console and Auxiliary Port Cable Connections, page 12](#)
- [Management Ethernet Port Cable Connection, page 12](#)
- [Connect the Shared Port Adapter Cables, page 13](#)
- [Install the Cables in the Cable-Management Bracket, page 13](#)

Console and Auxiliary Port Cable Connections

This section describes how to attach a cable to the console or auxiliary ports on the Cisco ASR 1006 Router. The Cisco ASR 1006 Router has two RJ-45 ports for terminal connection on each Route Processor installed. A console port, which can be utilized for terminal connections and an auxiliary port for additional terminal connections as well as diagnostic utilization.



Note Both the console and the auxiliary ports are asynchronous serial ports; any devices connected to these ports must be capable of asynchronous transmission.

Step 1 Before connecting a terminal to the console port, configure the terminal to match the router console port as follows: 9600 baud, 8 data bits, no parity, 1 stop bits. See [Figure 8](#) for console and auxiliary port connector location.

Step 2 After you establish normal router operation, you can disconnect the terminal.



Note For console and auxiliary port pinouts, see [Cisco ASR 1000 Series Aggregation Services Routers Hardware Installation Guide](#).

Management Ethernet Port Cable Connection

Before you can use the console interface on the router using a terminal or PC, you must perform the following steps:

Step 1 Configure your terminal emulation software with the following settings: 9600 bits per second (bps), 8 data bits, No parity, one stop bit, No flow control.

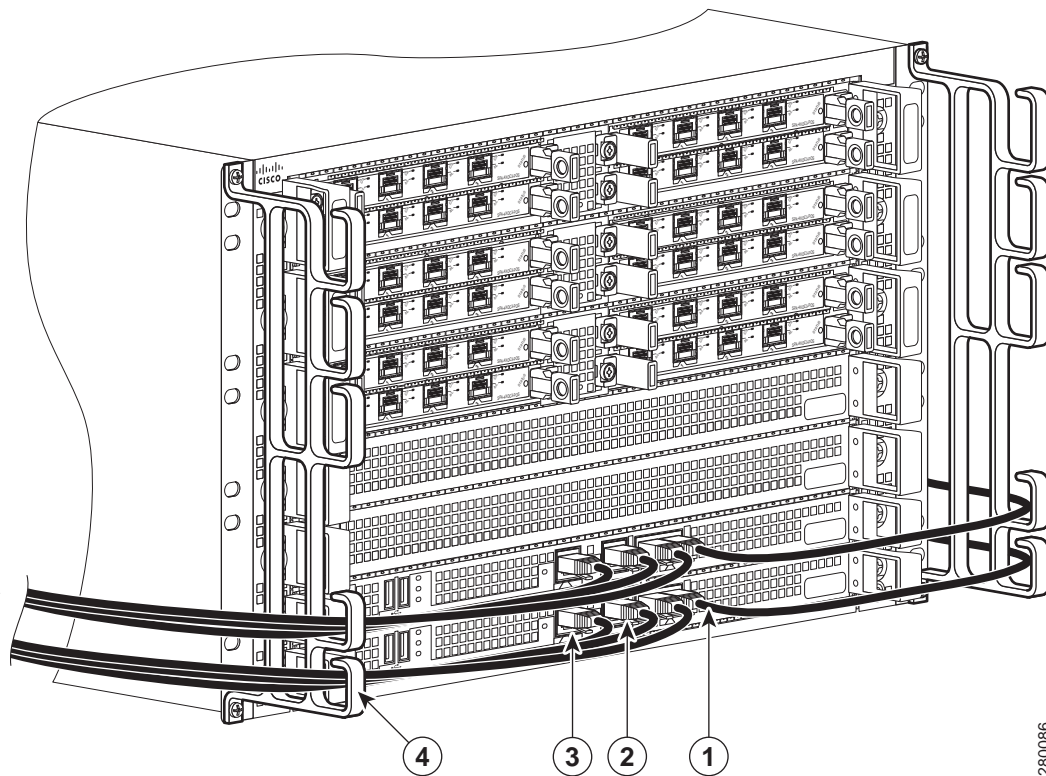


Note For information about how to change the default settings to meet the requirements of your terminal or host, refer to the [Cisco IOS Terminal Services Configuration Guide](#).

Step 2 Connect a terminal or PC to the console port using the cable and adapters provided in the accessory kit that shipped with your Cisco ASR 1006 Router:

- Place the console port mode switch in the in position (factory default).
- Connect to the port using the RJ-45-to-RJ-45 cable and RJ-45-to-DB-25 DTE adapter or using the RJ-45-to-DB-9 DTE adapter.

Figure 8 Management Ethernet Port Connectors



280086

1	AUXiliary connection	3	BITS port
2	MGMT Ethernet port	4	Cable-management U feature device

- Step 3** Insert an Ethernet RJ-45 cable into the MGMT ETHERNET port.
- Step 4** Insert the other end of the RJ-45 cable to your management device or network.
- Step 5** Configure to a fixed speed through the command line interface (CLI) commands.

Connect the Shared Port Adapter Cables

The instructions for connecting the cables for the shared port adapter installed in the Cisco ASR 1006 Router are contained in the [Cisco ASR 1000 Series Aggregation Services Routers SPA and SIP Hardware Installation Guide](#).

Install the Cables in the Cable-Management Bracket

No specific card level cable-management will be provided on the SIP carrier cards. SPAs utilize the SPA cable-management brackets that are provided with each SPA as part of their accessory kits. Cables coming off the front side of the SPAs and SIPs utilize the chassis level cable-management brackets provided on the chassis rack mount brackets (see [Figure 8](#)).

To secure shared port adapter interface cables and input or output cables connected to the Cisco ASR 1006 Router, follow these steps:

- Step 1** When installing the network interface cables, route the cables up to and through the cable-management bracket ‘U’ device. If you are using very thin cables that slip through the bracket openings, insert nylon cable ties through the holes in the bracket and wrap them around the cables to secure them. See [Figure 8](#).

Step 2 Route the excess cable out through either end of the bracket, coil it, and secure it to the rack using nylon cable ties or some other mode of attachment.

Step 3 It might be necessary to bundle longer cables to avoid tangling them. Do this at the cable-management bracket or at the rack, but leave enough slack in the cables to remove processor modules and change cables as required. Also, do not block the power supply air vents with cables.

This completes the procedure for installing the cables in the cable-management bracket. Proceed to the “Start the System” section on page 14 to complete the installation.

5 Start the System

Before you start the system, you must connect power to it.

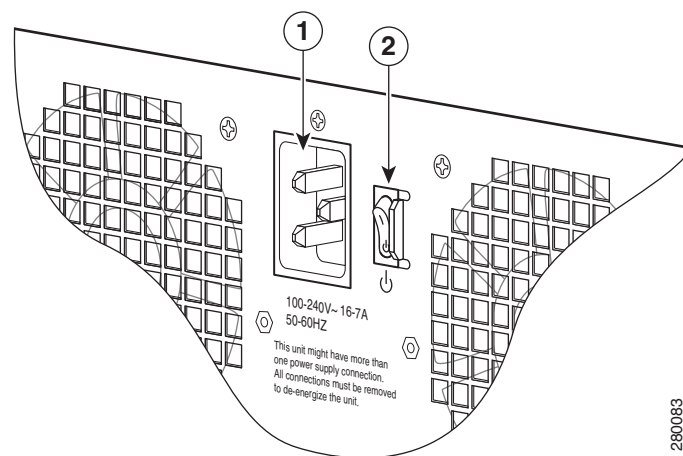
Connecting AC-Input Power to the Cisco ASR 1006 Router

Follow these steps to connect an AC-input power supply to the Cisco ASR 1006 Router:

Step 1 At the rear of the chassis, check that the AC power supply switch is in the standby position.

Figure 9 shows the power supply inlet and standby switch of the ASR1006-PWR-AC power supply. On the ASR1013/06-PWR-AC power supply, the power supply inlet and standby switch are at a similar position.

Figure 9 Cisco ASR 1006 Series Router AC Power Supply (ASR1006-PWR-AC) Inlet and Standby Switch



1	AC power inlet	2	AC power supply standby switch
---	----------------	---	--------------------------------

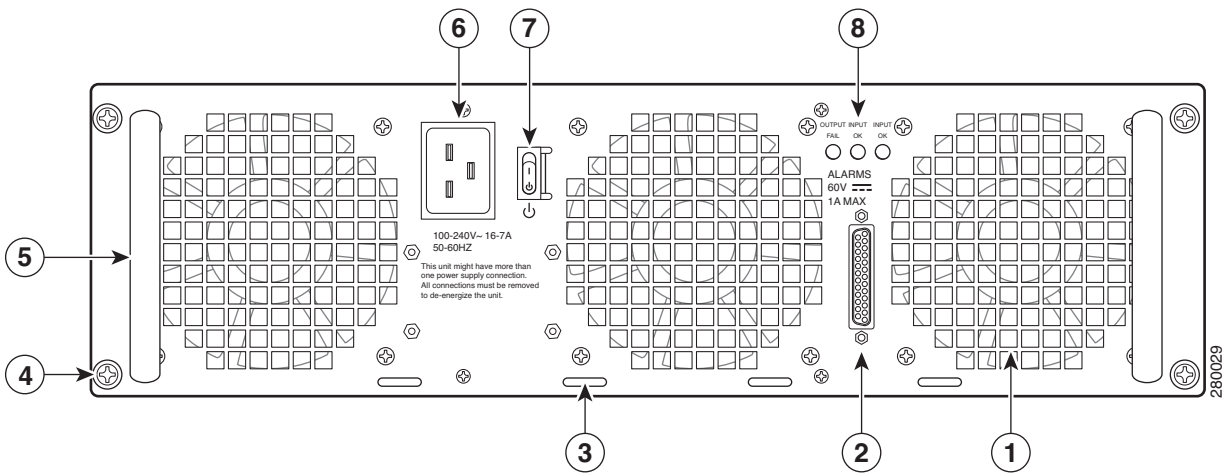
Step 2 Plug the power cable into the inlet.



Note For additional AC power cable strain relief, secure the cable to the power supply handle by inserting a nylon cable tie through the hole in the handle and around the cable.

Figure 10 shows the ASR1006-PWR-AC power supply.

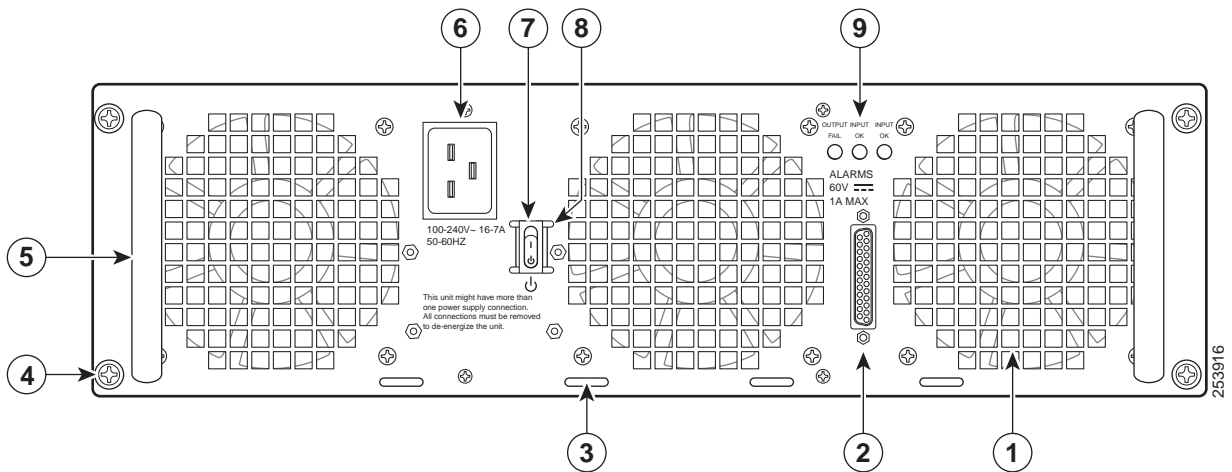
Figure 10 Cisco ASR 1006 Series Router AC Power Supply (ASR1006-PWR-AC)



1	AC power supply fan	5	AC power supply handle
2	DB-25 alarm connector	6	AC power inlet
3	Tie-wrap tab	7	AC power supply standby switch
4	AC power supply captive screw	8	AC power supply LEDs

Figure 11 shows the ASR1013/06-PWR-AC power supply.

Figure 11 Cisco ASR 1006 Router AC Power Supply (ASR1013/06-PWR-AC)



1	AC power supply fan	6	AC power inlet
2	DB-25 alarm connector	7	AC power supply standby switch
3	Tie-wrap tab	8	Protective shielding on both sides of the standby switch
4	AC power supply captive screw	9	AC power supply LEDs
5	AC power supply handle	—	—



Note Shielded cables must be used to connect to the DB-25 alarm connector on both the AC and DC power supplies, in order to comply with the FCC/EN55022/CISPR22 Class A emissions requirements.

Step 3 Plug the AC power supply cable into the AC power source at your site.

Step 4 Place the power supply standby switch in the On (I) position.

This completes the procedure for connecting AC-input power.

Connect DC Power to the Cisco ASR 1006 Router

This section provides instructions for installing the DC power supply into the Cisco ASR 1006 Router. Read the safety warnings before you begin.



Warning **Installation of the equipment must comply with local and national electrical codes.** Statement 1074



Warning **Never install an AC power module and a DC power module in the same chassis.** Statement 1050



Warning **When installing or replacing the unit, the ground connection must always be made first and disconnected last.** Statement 1046



Warning **This equipment must be grounded. Never defeat the ground conductor or operate the equipment in the absence of a suitably installed ground conductor. Contact the appropriate electrical inspection authority or an electrician if you are uncertain that suitable grounding is available.** Statement 1024



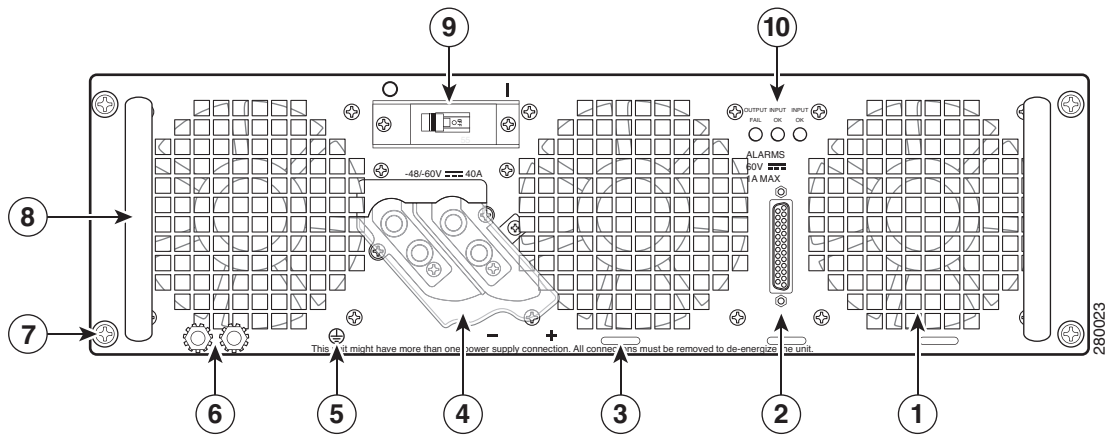
Warning **This unit might have more than one power supply connection. All connections must be removed to de-energize the unit.** Statement 1028



Warning **This product relies on the building's installation for short-circuit (overcurrent) protection. Ensure that the protective device is rated not greater than: AC power supplies 20 A and DC power supplies 40 A.** Statement 1005

Figure 12 shows the ASR1006-PWR-DC power supply.

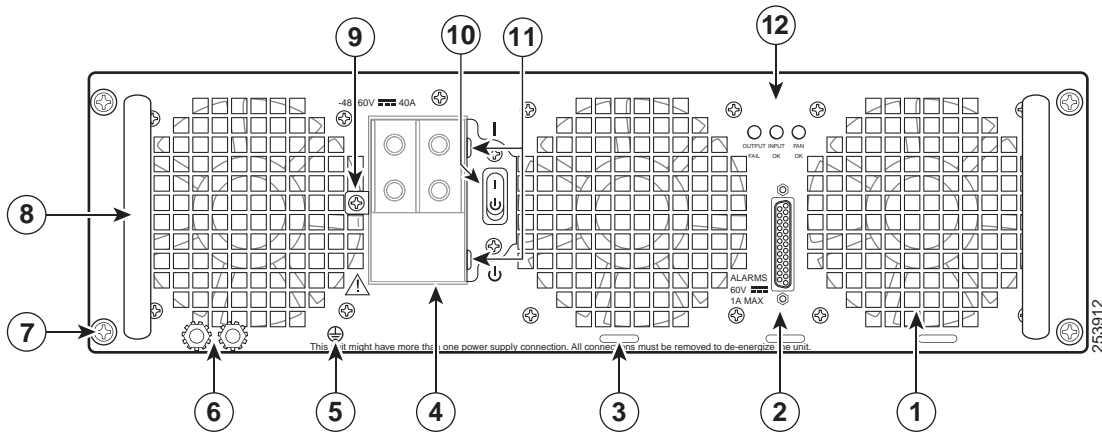
Figure 12 Cisco ASR 1006 Router DC Power Supply (ASR1006-PWR-DC)



1	Fan	6	DC power supply grounding lugs
2	DB-25 alarm connector	7	Power supply captive screw
3	Tie-wrap tab Power supply ground lugs	8	Power supply handle
4	DC Power supply terminal and plastic cover	9	Power supply ON/OFF (I/O) circuit breaker switch
5	Earth grounding symbol	10	DC power supply LEDs

Figure 13 shows the ASR1013/06-PWR-DC power supply.

Figure 13 Cisco ASR 1006 Router -48V DC Power Supply (ASR1013/06-PWR-DC)



1	Fan	7	DC power supply captive screw
2	DB-25 alarm connector	8	DC power supply handle
3	Tie-wrap tab	9	Terminal block and plastic cover single screw
4	DC power supply terminal block and plastic cover	10	On/Off (I/O) circuit breaker switch
5	Earth ground symbol	11	Terminal block and plastic cover slot tab
6	DC power supply ground studs	12	Power supply LEDs

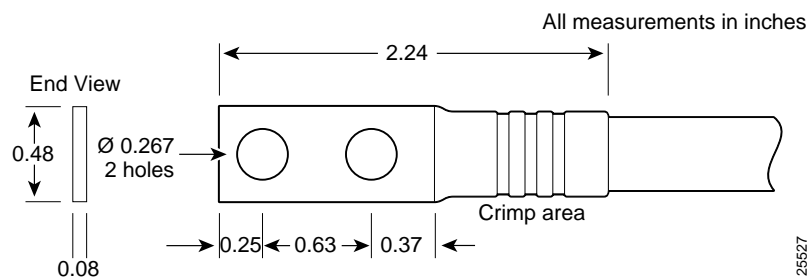
Read these important notices before you install the DC-input power supply in the Cisco ASR1006 router:

- The color coding of the DC-input power supply leads depends on the color coding of the DC power source at your site. Typically, green or green/yellow is used for ground (GND), black is used for -48V on negative (-) terminal and red is used for RTN on the positive (+) terminal. Make certain the lead color coding you choose for the DC-input power supply matches lead color coding used at the DC power source.
- Shielded cables must be used to connect to the DB-25 alarm connector on both the AC and DC power supplies, in order to comply with FCC/EN55022/CISPR22 Class A emissions requirements.
- For DC input power cables, select the appropriate wire gauge based on the National Electrical Code (NEC) and local codes for 40-amp service at nominal DC input voltage (-48/-60 VDC). Three pairs of cable leads, source DC (-) and source DC return (+), are required for each power distribution unit (PDU). These cables are available from any commercial cable vendor. All input power cables for the chassis should have the same wire gauge and cable lengths should match within 10 percent of deviation. Each DC input power cable is terminated at the PDU by a cable lug. The cable lugs must be dual-hole, and have a straight tongue. They must be able to fit over 1/4-inch terminal studs at 0.625-inch (15.88-mm) centers.

Note DC input power cables must be connected to the PDU terminal studs in the proper positive (+) and negative (-) polarity. In some cases, the DC cable leads are labeled, which is a relatively safe indication of the polarity. However, you must verify the polarity by measuring the voltage between the DC cable leads. When making the measurement, the positive (+) lead and the negative (-) lead must always match the (+) and (-) labels on the power distribution unit.

- An earth ground cable is required for each DC PDU. We recommend that you use at least 6-AWG multistrand copper wire. This wire is not available from Cisco Systems; it is available from any commercial cable vendor. The ground wire cable lug should be dual-hole and able to fit over M6 terminal studs at 0.625 inch (15.88mm) centers. Recommended lug terminal wire size Panduit part number:
 - LCD8-14A-L for 8AWG wire size
 - LCD6-14A-L for 6AWG wire size

Figure 14 Cisco ASR 1006 Router DC Input Power Cable Lug



Note To avoid hazardous conditions, all components in the area where DC input power is accessible must be properly insulated. Therefore, before installing the DC cable lugs, be sure to insulate the lugs according to the manufacturer's instructions.

Caution Before you connect DC-input power, you must install the DC power ground leads to the DC power supply.

Obtain these necessary tools and equipment:

- Number 2 Phillips screwdriver
- A 3/16-inch flat-blade screwdriver

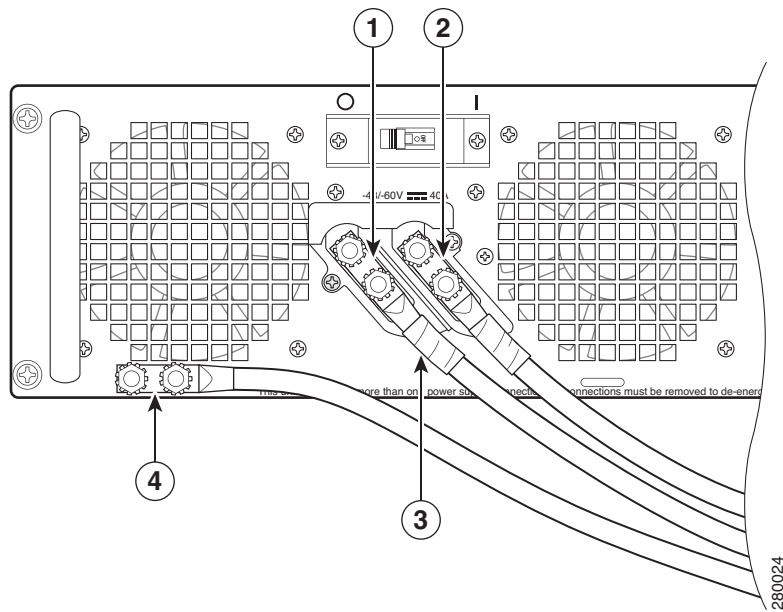
Installing the Cisco ASR 1006 Router DC Ground Lugs

To install the grounding lugs on the DC power supply, follow these instructions. [Figure 12](#) (item #6) shows the location of the DC power supply grounding stud.

Step 1 Make certain that the chassis ground is connected before you begin installing the DC power supply.

- Step 2** Locate the stud on the DC power supply for the **GND** connection which must be connected first and follow these steps:
- a. Using the grounding lug, replace the washers and Kepnut screw in the following order.
 - Flat washer
 - Grounding cable lug
 - Kepnut screw
 - b. Tighten the Kepnut screws on the power supply studs.
- Step 3** Tighten the Kepnut screw (use the screwdriver to tighten the ground screw in the terminal block to a torque of 20+/-2 in-lbs / 2 per.) to complete the installation.
- See [Figure 15](#) if you are using the ASR1006-PWR-DC power supply.

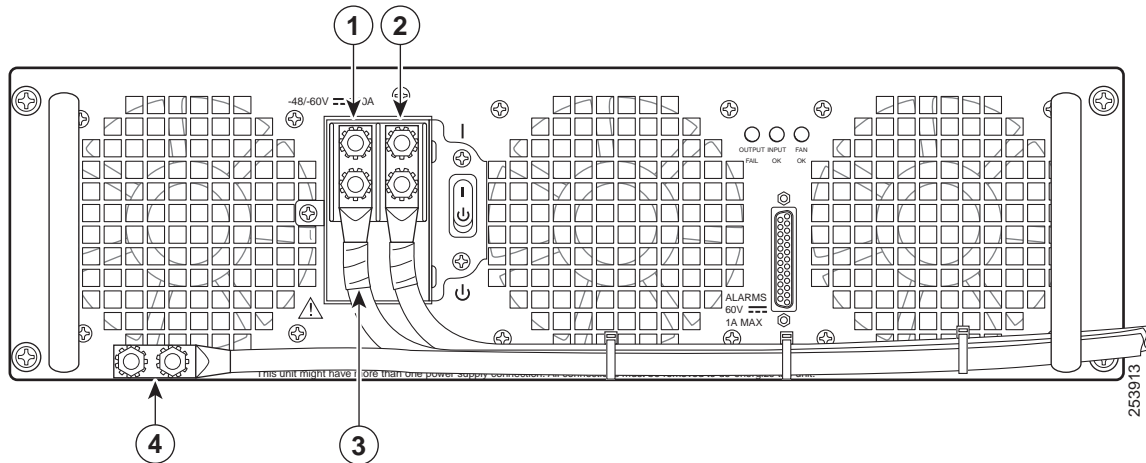
Figure 15 DC Power Supply Ground Studs and Cables (ASR1006-PWR-DC)



1	Negative lug and wire with sleeving wrapped around the wire and end of lug	3	Location of sleeving wrapped around the wire and end of the grounding stud
2	Positive lug and wire with sleeving wrapped around the wire and end of lug	4	Earth ground lug and wire

See [Figure 16](#) if you are using the ASR1013/06-PWR-DC power supply.

Figure 16 DC Power Supply Terminal Block Ground Cable Lugs (ASR1013/06-PWR-DC)



1	Negative lug and wire with sleeving wrapped around the wire and end of lug	3	Location of sleeving wrapped around the wire and end of the grounding stud
2	Positive lug and wire with sleeving wrapped around the wire and end of lug	4	Earth ground lug and wire

Step 4 Ground the other end of the grounding wires to an appropriate grounding point at your site.

Step 5 Repeat Step 2 through Step 4 on the second DC power supply.

Wiring the DC-Input Power Source

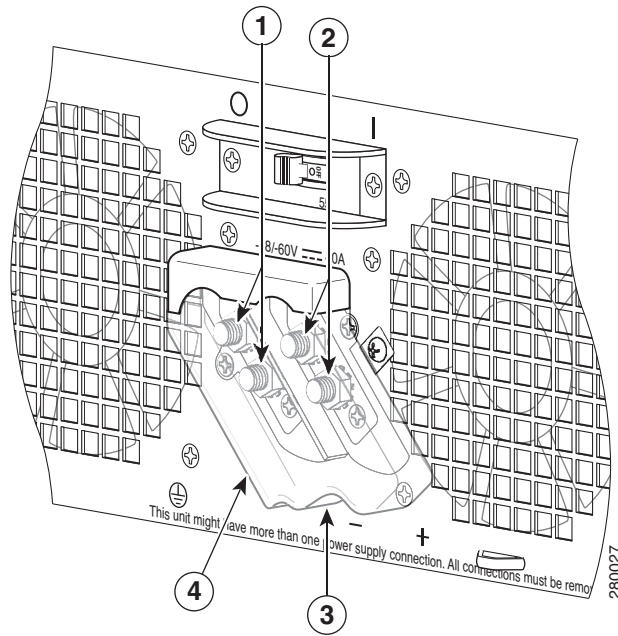
Note The color coding of the DC-input power supply leads depends on the color coding of the DC power source at your site. Typically, green or green/yellow is used for ground (GND) on the power supply. Negative -48V black is on negative (-) terminal and red is used for RTN on the positive (+) terminal. Make certain the lead color coding you choose for the DC-input power supply matches lead color coding used at the DC power source.

Step 1 Make sure the power switch circuit breaker is in the Off (O) position.

Step 2 Locate and remove the plastic cover from the terminal block.

See [Figure 17](#) if you are using the ASR1006-PWR-DC power supply.

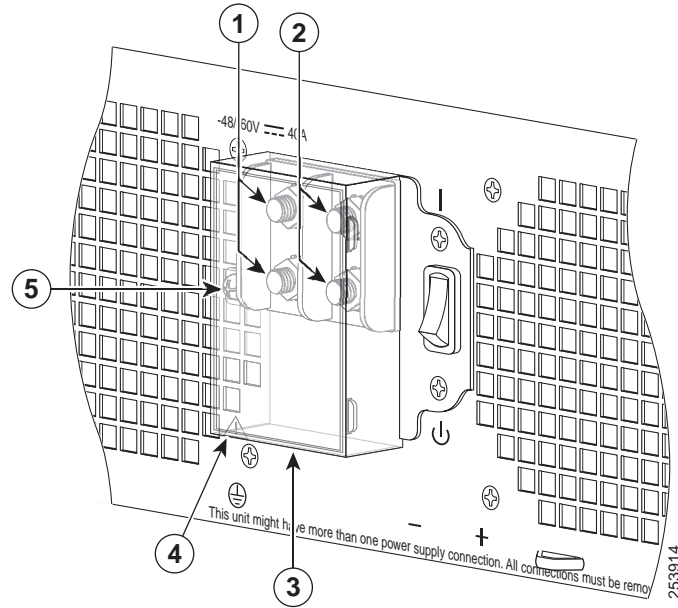
Figure 17 DC Power Supply Terminal Block Plastic Cover (ASR1006-PWR-DC)



1	DC power supply terminal block negative stud	3	Terminal block slotted keyed area
2	DC power supply terminal block positive stud	4	DC power supply terminal block plastic cover

See [Figure 17](#) if you are using the ASR1013/06-PWR-DC power supply.

Figure 18 DC Power Supply Terminal Block Plastic Cover (ASR1013/06-PWR-DC)



1	Negative terminal	4	Plastic cover slotted area
2	Positive terminal	5	Terminal block plastic cover single screw
3	Terminal block plastic cover	—	—



Caution

Before you continue to install the terminal block ground wires, stop and perform Step 5. To prevent any contact with metal lead on the ground wire and the plastic cover.

Step 3 Wrap the positive and negative lead cables with sleeving. Take each lead wire and cover the area from the lug to the wire with heavy shrink sleeving.

See [Figure 15](#) if you are using the ASR1006-PWR-DC power supply.

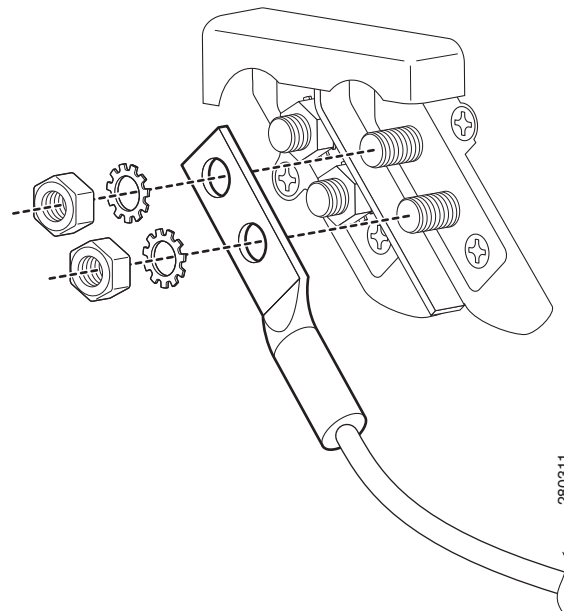
See [Figure 16](#) if you are using the ASR1013/06-PWR-DC power supply.

Step 4 For easier cable-management, insert the negative lead cable first. Replace the ground lug with cable in the following order:

- a. Flat Washer
- b. Ground lug with negative wire
- c. Kepnut screw

[Figure 19](#) shows these elements in the ASR1006-PWR-DC power supply.

Figure 19 DC Power Supply Terminal Block Positive and Negative Connections (ASR1006-PWR-DC)



Step 5 Tighten the Kepnut screw to recommended torque of 18 in-lbs minimum to 22 in-lbs maximum for the positive stud and wire.



Note Secure the wires coming in from the terminal block so that they cannot be disturbed by casual contact.

Step 6 Use tie wraps to secure the wires, so that the wires are not pulled from the terminal block by casual contact. Tie-wrap studs are located below the power supply terminal block.

Step 7 Replace the terminal block plastic cover, and tighten the screw. The plastic cover is slotted and keyed to fit correctly over the terminal block.



Caution Secure the wires coming in from the terminal block to ensure that they cannot be disturbed by casual contact. Tabs are located on the base of the DC power supply to which you can secure the ties.

Step 8 Use tie wraps to secure the wires to ensure that the wires are not pulled from the terminal block by casual contact. The DC power supply has tie-wrap tabs to aid in securing the wires. Make sure the tie wrap allows for some slack in the ground wire.

See [Figure 12](#) if you are using the ASR1006-PWR-DC power supply.

See [Figure 13](#) if you are using the ASR1013/06-PWR-DC power supply.

Step 9 Switch the circuit breaker switch to the On (I) position.



Note The requirement for maximum torque applied to the power or ground Kepnuts must be 8 in-lb when the power or ground lug is not present.

This completes the procedure for connecting DC-input power. Your installation is complete. Proceed to the [“Verifying Power Supply Operation”](#) section on [page 23](#) to start the router.

Verifying Power Supply Operation

Follow this procedure to verify that the power supply is operating correctly in the Cisco ASR 1006 Router.

Step 1 Check that the power supply LEDs are:

- INPUT OK is green
- FAN OK is green
- OUTPUT FAILED is not illuminated

Step 2 To ensure that the power supply state is OK, type the **show platform** command. This output sample is from a Cisco ASR1006 router. The other Cisco ASR1000 routers display similar type of output.

```
MCP_SCAL_R1#sho plat
Chassis type: ASR1006
```

The following output displays:

Slot	Type	State	Insert Time
1	ASR1000-SIP10	ok	00:03:19
1/1	SPA-8X1GE-V2	ok	00:02:23
2	ASR1000-SIP10	ok	00:03:19
2/0	SPA-1X10GE-L-V2	ok	00:02:22
2/1	SPA-8X1GE-V2	ok	00:02:17
R0	ASR1000-RP1	ok,active	00:03:19
F0	ASR1000-ESP20	ok,active	00:03:19
P0	ASR1006-PWR-AC	ok	00:02:50
P1	ASR1006-PWR-AC	ps, fail	00:02:50

Slot	CPLD Version	Firmware Version
1	07091401	12.2(33r)XN2
2	07091401	12.2(33r)XN2
R0	08060301	12.2(0:0)
F0	08041102	12.2(33r)XN2

```
MCP_SCAL_R1#
```

If the LEDs indicate a power problem or the power supply state is ps,fail, then contact a customer service representatives for assistance or additional instructions.

Start the System

After installing your Cisco ASR 1006 Router and connecting cables, start the router as follows.

Step 1 Check for the following:

- Make certain that each shared port adapter is firmly seated in its subslot and its captive screws are securely tightened.
- The Cisco ASR1000-ESP10 or Cisco ASR1000-ESP20 embedded services processors in the Cisco ASR 1006 router are inserted in slot F0 and F1, is firmly seated in its slot, and its captive screws are securely tightened.
- All network interface cables are connected.
- The console terminal is turned on.

Step 2 Turn on power. The green OK LED on the power supply turns on.

Step 3 Listen for the fans; you should immediately hear them operating.

Step 4 During the boot process, observe the power LEDs. The power LED should be green on all boards. The Status LED lights yellow to indicate booting and then green when IOS is running.

Table 1 provides information about the LEDs as the system starts.

Table 1 Cisco ASR 1006 Router LED Activity

LED Label	LED	Color	In the Power Up State -Behavior Description
PWR	Power	Solid green	All power requirements are within specification
		Off	Off, the router is in standby mode.
STAT	System status	Solid green	Cisco IOS has successfully booted.
		Yellow	BOOT ROM has successfully loaded.
		Red	System failure.
ACTV	Active	Green	Lit when this is the active ASR 1000 Series route processor (Cisco ASR1000-RP1 or Cisco ASR1000-RP2).
STBY	Standby	Yellow	Lit when this is the standby ASR 1000 Series route processor.
CRIT	Critical	Solid red	Critical alarm indicator. This is on at power up, turned off by software.
MAJ	Major	Solid red	Major alarm indicator.
MIN	Minor	Amber	Minor alarm indicator.
DISK HD	Internal Hard Drive	Flashing green	Active indicator.
		Off	No activity.
DISK USB	External USB FLASH	Flashing green	Active indicator.
		Off	No activity.
DISK BF	Internal FLASH (BootDisk)	Flashing green	Active indicator.
		Off	No activity.

During the boot process, observe the system LEDs. The STAT LED comes on immediately as yellow, then turns to green when the Cisco IOS is booted. The shared port adapter LEDs go on and off irregularly.



Note The system boots differently depending on the configuration that ships with your system. This output is only an example of what can display.

Step 5 Observe the initialization process. When the system boot is complete (a few seconds), the Cisco ASR 1000 Series route processor begins to initialize. The console screen displays a script and system banner similar to the following:

```
rommon 1 >
rommon 1 > boot
Located rp_super.ppc.nader.5g.evfc.bin
```


documentation or "License Notice" file accompanying the IOS-XE software,
or the applicable URL provided on the flyer accompanying the IOS-XE
software.

A summary of U.S. laws governing Cisco cryptographic products may be found at:
<http://www.cisco.com/wwl/export/crypto/tool/stqrg.html>

If you require further assistance please contact us by sending email to
export@cisco.com.

cisco ASR1006 (RP1) processor with 541737K/6147K bytes of memory.
4 Gigabit Ethernet interfaces
32768K bytes of non-volatile configuration memory.
1869396K bytes of physical memory.
7798783K bytes of eUSB flash at bootflash:.

--- System Configuration Dialog ---

Would you like to enter the initial configuration dialog? [yes/no]: no

Press RETURN to get started!

```
*Feb 19 17:34:27.361: % Error opening nvram:/ifIndex-table No such file or directory
*Feb 19 17:34:28.235: %ASR1000_MGMTVRF-6-CREATE_SUCCESS_INFO: Management vrf Mgmt-intf created with ID
4085, ipv4 table-id 0xFF5, ipv6 table-id 0x1E000001
*Feb 19 17:34:29.720: %PARSER-4-BADCFG: Unexpected end of configuration file.

*Feb 19 17:34:29.809: %NETCLK-5-NETCLK_MODE_CHANGE: Network clock source not available. The network clock
has changed to freerun

*Feb 19 17:34:10.138: %CPPHA-7-SYSREADY: F0: cpp_ha: CPP client process FMAN-FP (5 of 5) ready.
*Feb 19 17:34:29.824: %LINK-3-UPDOWN: Interface GigabitEthernet0, changed state to up
*Feb 19 17:34:10.269: %IOSXE-6-PLATFORM: F0: cpp_cp: cpp_mlp_svr_client_bind: cpp_mlp_svr_ifm_init()
successful
*Feb 19 17:34:10.362: %CPPHA-7-START: F0: cpp_ha: CPP 0 preparing image /usr/cpp/bin/cpp-mcplo-ucode
*Feb 19 17:34:10.473: %CPPHA-7-START: F0: cpp_ha: CPP 0 startup init image /usr/cpp/bin/cpp-mcplo-ucode
*Feb 19 17:34:14.688: %CPPHA-7-START: F0: cpp_ha: CPP 0 running init image /usr/cpp/bin/cpp-mcplo-ucode
*Feb 19 17:34:14.919: %CPPHA-7-READY: F0: cpp_ha: CPP 0 loading and initialization complete
*Feb 19 17:34:14.919: %CPPHA-6-SYSINIT: F0: cpp_ha: CPP HA system configuration start.
*Feb 19 17:34:15.179: %IOSXE-6-PLATFORM: F0: cpp_cp: Process CPP_PFILTER_EA_EVENT_API_CALL_REGISTER
*Feb 19 17:34:15.286: %CPPHA-6-SYSINIT: F0: cpp_ha: CPP HA system enabled.
*Feb 19 17:34:15.287: %CPPHA-6-SYSINIT: F0: cpp_ha: CPP HA system initializaton complete.
*Feb 19 17:34:30.823: %LINEPROTO-5-UPDOWN: Line protocol on Interface GigabitEthernet0, changed state to
down
*Feb 19 17:35:12.865: %LINK-5-CHANGED: Interface GigabitEthernet0/0/0, changed state to administratively
down
*Feb 19 17:35:12.865: %LINK-5-CHANGED: Interface GigabitEthernet0/0/1, changed state to administratively
down
*Feb 19 17:35:12.865: %LINK-5-CHANGED: Interface GigabitEthernet0/0/2, changed state to administratively
down
*Feb 19 17:35:12.865: %LINK-5-CHANGED: Interface GigabitEthernet0/0/3, changed state to administratively
down
*Feb 19 17:35:13.865: %LINEPROTO-5-UPDOWN: Line protocol on Interface GigabitEthernet0/0/0, changed state
to down
*Feb 19 17:35:13.865: %LINEPROTO-5-UPDOWN: Line protocol on Interface GigabitEthernet0/0/1, changed state
to down
*Feb 19 17:35:13.866: %LINEPROTO-5-UPDOWN: Line protocol on Interface GigabitEthernet0/0/2, changed state
to down
*Feb 19 17:35:13.866: %LINEPROTO-5-UPDOWN: Line protocol on Interface GigabitEthernet0/0/3, changed state
to down
*Feb 19 17:35:19.167: %ASR1000_OIR-6-REMSPA: SPA removed from subslot 0/0, interfaces disabled
*Feb 19 17:35:19.171: %ASR1000_OIR-6-INSCARD: Card (fp) inserted in slot F0
*Feb 19 17:35:19.171: %ASR1000_OIR-6-ONLINECARD: Card (fp) online in slot F0
*Feb 19 17:35:19.187: %ASR1000_OIR-6-INSCARD: Card (cc) inserted in slot 0
*Feb 19 17:35:19.187: %ASR1000_OIR-6-ONLINECARD: Card (cc) online in slot 0
```


!!
!!
!!
!!

File reception completed.
Boot image size = 206610636 (0xc50a0cc) bytes

Using midplane macaddr
Package header rev 0 structure detected
Calculating SHA-1 hash...done
validate_package: SHA-1 hash:
 calculated 5e4c2c77:ef886ca7:ebe74c2d:d72aa38c:b018a947
 expected 5e4c2c77:ef886ca7:ebe74c2d:d72aa38c:b018a947
Image validated

PPC/IOS XE loader version: 0.0.3
loaded at: 00800000 0CD0C004
zimage at: 00807673 009B8E43
initrd at: 009B9000 01006D0B
isord at: 01007000 0CD0A000
avail ram: 00400000 00800000

Kernel load:
Uncompressing image... dst: 00000000 lim: 00400000 start: 00807673 size: 001B17D0...done.
Now booting the IOS XE kernel
%IOSXEBOOT-4-BOOT_PARAMETER: (rp/0): Booting with custom BOOT_PARAM setting
%IOSXEBOOT-4-BOOT_PARAMETER: (rp/0): Hardware watchdog timer disabled in ROMMON
%IOSXEBOOT-4-DEBUG_CONF: (rp/0): Using DEBUG_CONF file /misc/scratch/debug.conf

Restricted Rights Legend

Use, duplication, or disclosure by the Government is subject to restrictions as set forth in subparagraph (c) of the Commercial Computer Software - Restricted Rights clause at FAR sec. 52.227-19 and subparagraph (c) (1) (ii) of the Rights in Technical Data and Computer Software clause at DFARS sec. 252.227-7013.

cisco Systems, Inc.
170 West Tasman Drive
San Jose, California 95134-1706

Router# show version

Cisco IOS Software, IOS-XE Software (PPC_LINUX_IOSD-ADVENTERPRISEK9-M), Version 12.2(33)XNA, RELEASE SOFTWARE
Technical Support: <http://www.cisco.com/techsupport>
Copyright (c) 1986-2008 by Cisco Systems, Inc.
Compiled Thu 01-May-08 00:29 by mcpre
Cisco IOS-XE software, Copyright (c) 1986-2008 by Cisco Systems, Inc.

All rights reserved. Certain components of Cisco IOS-XE software are licensed under the GNU General Public License ("GPL") Version 2.0. The software code licensed under GPL Version 2.0 is free software that comes with ABSOLUTELY NO WARRANTY. You can redistribute and/or modify such GPL code under the terms of GPL Version 2.0. For more details, see the documentation or "License Notice" file accompanying the IOS-XE software, or the applicable URL provided on the flyer accompanying the IOS-XE software.

A summary of U.S. laws governing Cisco cryptographic products may be found at: <http://www.cisco.com/wwl/export/crypto/tool/stqrg.html>

If you require further assistance please contact us by sending email to

export@cisco.com.

```
cisco ASR1000 (RP1) processor with 753834K/6147K bytes of memory.  
2 Packet over SONET interfaces  
32768K bytes of non-volatile configuration memory.  
2097152K bytes of physical memory.  
439807K bytes of eUSB flash at bootflash:.  
39004543K bytes of SATA hard disk at harddisk:.  
1020584K bytes of USB flash at usb0:.
```

```
SETUP: new interface POS0/1/0 placed in "shutdown" state  
SETUP: new interface POS0/1/1 placed in "shutdown" state
```

Press RETURN to get started!

```
*Feb 13 12:48:53.340: %LINK-5-CHANGED: Interface GigabitEthernet0, changed state to administratively down  
*Feb 13 12:48:53.513: %NETCLK-5-NETCLK_MODE_CHANGE: Network clock source not available. The network clock  
has changed to freerun
```

```
*Feb 13 12:48:41.846: %CPPHA-7-SYSREADY: F0: cpp_ha: CPP client process FMAN-FP (5 of 5) ready.  
*Feb 13 12:48:41.980: %IOSXE-6-PLATFORM: F0: cpp_cp: cpp_mlp_svr_client_bind: cpp_mlp_svr_ifm_init()  
successful  
*Feb 13 12:48:42.084: %CPPHA-7-START: F0: cpp_ha: CPP 0 preparing image /usr/cpp/bin/cpp-mcplo-ucode  
*Feb 13 12:48:42.197: %CPPHA-7-START: F0: cpp_ha: CPP 0 startup init image /usr/cpp/bin/cpp-mcplo-ucode  
*Feb 13 12:48:47.581: %CPPHA-7-START: F0: cpp_ha: CPP 0 running init image /usr/cpp/bin/cpp-mcplo-ucode  
*Feb 13 12:48:47.812: %CPPHA-7-READY: F0: cpp_ha: CPP 0 loading and initialization complete  
*Feb 13 12:48:47.812: %CPPHA-6-SYSINIT: F0: cpp_ha: CPP HA system configuration start.  
*Feb 13 12:48:49.090: %IOSXE-6-PLATFORM: F0: cpp_cp: Process CPP_PFILTER_EA_EVENT_API_CALL_REGISTER  
*Feb 13 12:48:54.382: %LINEPROTO-5-UPDOWN: Line protocol on Interface GigabitEthernet0, changed state to  
down  
*Feb 13 12:48:57.074: %DYNCMD-7-CMDSET_LOADED: The Dynamic Command set has been loaded from the Shell  
Manager  
*Feb 13 12:48:59.697: %SYS-5-CONFIG_I: Configured from memory by console  
*Feb 13 12:48:59.707: %ASR1000_OIR-6-REMSPA: SPA removed from subslot 0/1, interfaces disabled  
*Feb 13 12:48:59.707: %ASR1000_OIR-6-REMSPA: SPA removed from subslot 0/2, interfaces disabled  
*Feb 13 12:48:59.710: %ASR1000_OIR-6-INSCARD: Card (fp) inserted in slot F0  
*Feb 13 12:48:59.710: %ASR1000_OIR-6-ONLINECARD: Card (fp) online in slot F0  
*Feb 13 12:48:59.730: %ASR1000_OIR-6-INSCARD: Card (cc) inserted in slot 0  
*Feb 13 12:48:59.730: %ASR1000_OIR-6-ONLINECARD: Card (cc) online in slot 0  
*Feb 13 12:48:59.732: %ASR1000_OIR-6-INSSPA: SPA inserted in subslot 0/1  
*Feb 13 12:48:59.735: %ASR1000_OIR-6-INSSPA: SPA inserted in subslot 0/2  
*Feb 13 12:48:59.943: %SYS-5-RESTART: System restarted --  
Cisco IOS Software, IOS-XE Software (PPC_LINUX_IOSD-ADVENTERPRISEK9-M), Version 12.2(33)XNA, RELEASE  
SOFTWARE  
Technical Support: http://www.cisco.com/techsupport  
Copyright (c) 1986-2008 by Cisco Systems, Inc.  
Compiled Thu 01-May-08 00:29 by mcpre  
*Feb 13 12:49:01.253: %CRYPTO-6-ISAKMP_ON_OFF: ISAKMP is OFF  
Router>
```

During the boot process, observe the system LEDs. The LEDs on the shared port adapter go on and off in irregular sequence. They may go on, go out, and go on again for a short time. On the router, the green STATUS LED comes on and stays on. For software configuration information, see the *Cisco ASR 1000 Series Aggregation Services Software Configuration Guide*.

6 Configure the Router

Using the Console Interface

To access the command-line interface using the console, follow these steps:

Step 1 Once the terminal console port is connected, configure your terminal emulation software with valid settings. Start at the following prompt:

Press Return for Console prompt

Step 2 Press **Return** to enter user EXEC configuration mode. The following prompt appears:

Router>

Step 3 From user EXEC configuration mode, enter the enable command as shown in the following example:

Router> enable

Step 4 At the password prompt, enter your system's password. If an enable password has not been set on your system, this step may be skipped. The following example shows entry of the password called *enablepass*:

Password: enablepass

Step 5 When your enable password is accepted, the privileged EXEC configuration mode prompt appears:

Router#

Step 6 You now have access to the CLI in privileged EXEC configuration mode and you can enter the necessary commands to complete your desired tasks.

Step 7 To exit the console session, enter the quit command as shown in the following example:

Router# quit

Configure Global Parameters Using the Setup Facility

When you first start the setup program, you must configure the global parameters. These parameters are used for controlling system-wide settings. Complete the following steps to enter the global parameters:

Step 1 Connect a console terminal to the console port and then boot the router. The system boots from flash memory. The following information appears after about 30 seconds. This is only an example of the output display; prompts may vary.

Step 2 The first sections of the configuration script appear only at an initial system startup. On subsequent uses of the setup facility, the script begins with a System Configuration Dialog as shown below: When asked if you would like to enter the initial configuration dialog, enter **yes**.

```
Would you like to enter the initial configuration dialog? [yes/no] yes
```

```
At any point you may enter a question mark '?' for help.
```

```
Use ctrl-c to abort configuration dialog at any prompt.
```

```
Default settings are in square brackets '[]'.
```

```
Basic management setup configures only enough connectivity for management of the system, extended setup will ask you to configure each interface on the system.
```

```
--- System Configuration Dialog ---
```

```
Would you like to enter the initial configuration dialog? [yes/no]: y
```

```
At any point you may enter a question mark '?' for help.
```

```
Use ctrl-c to abort configuration dialog at any prompt.
```

```
Default settings are in square brackets '[]'.
```

```
Basic management setup configures only enough connectivity for management of the system, extended setup will ask you to configure each interface on the system
```

```
Would you like to enter basic management setup? [yes/no]: n
```

```
First, would you like to see the current interface summary? [yes]: y
```

```
Any interface listed with OK? value "NO" does not have a valid configuration
```

Interface	IP-Address	OK?	Method	Status	Protocol
GigabitEthernet0/0/0	unassigned	NO	unset	down	down
GigabitEthernet0/0/1	unassigned	NO	unset	down	down
GigabitEthernet0/0/2	unassigned	NO	unset	down	down
GigabitEthernet0/0/3	unassigned	NO	unset	down	down
GigabitEthernet0	unassigned	YES	unset	administratively down	down

Configuring global parameters:

Enter host name [Router]:

The enable secret is a password used to protect access to privileged EXEC and configuration modes. This password, after entered, becomes encrypted in the configuration.

Enter enable secret: test

The enable password is used when you do not specify an enable secret password, with some older software versions, and some boot images.

Enter enable password: tests

The virtual terminal password is used to protect access to the router over a network interface.

Enter virtual terminal password: test

Configure SNMP Network Management? [yes]: n

Configure IP? [yes]: y

Configure RIP routing? [no]:

Configure bridging? [no]:

Configure CLNS? [no]:

Configuring interface parameters:

Do you want to configure GigabitEthernet0/0/0 interface? [yes]: n

Do you want to configure GigabitEthernet0/0/1 interface? [yes]: n

Do you want to configure GigabitEthernet0/0/2 interface? [yes]: n

Do you want to configure GigabitEthernet0/0/3 interface? [yes]: n

Do you want to configure GigabitEthernet0 interface? [no]: n

The following configuration command script was created:

```
hostname Router
enable secret 5 $1$6r./$U5wHcV3uRWkKWK/fap474.
enable password tests
line vty 0 4
password test
no snmp-server
!
ip routing
no bridge 1
no clns routing
!
interface GigabitEthernet0/0/0
shutdown
no ip address
!

interface GigabitEthernet0/0/1
shutdown
no ip address
!
interface GigabitEthernet0/0/2
```



```

shutdown
no ip address
!
interface GigabitEthernet0/0/3
shutdown
no ip address
!
interface GigabitEthernet0/1/0
shutdown
no ip address
!
interface GigabitEthernet0/1/1
shutdown
no ip address
!
interface FastEthernet0/3/0
shutdown
no ip address
!
interface FastEthernet0/3/1
shutdown
no ip address
!
interface FastEthernet0/3/2
shutdown
no ip address
!
interface FastEthernet0/3/3
shutdown
no ip address
!
interface FastEthernet0/3/4
shutdown
no ip address
!
interface FastEthernet0/3/5
shutdown
no ip address
!
interface FastEthernet0/3/6
shutdown
no ip address
!
interface FastEthernet0/3/7
shutdown
no ip address
!
interface GigabitEthernet0
shutdown
no ip address
dialer-list 1 protocol ip permit
dialer-list 1 protocol ipx permit
!
end

```

- [0] Go to the IOS command prompt without saving this config.
- [1] Return back to the setup without saving this config.
- [2] Save this configuration to nvram and exit.

Enter your selection [2]:

```

Router#reload
Proceed with reload? [confirm]

```

```
*Jan 11 06:59:29.476: %SYS-5-RELOAD: Reload requested by console. Reload Reason: Reload command.
```

System Bootstrap, Version 12.2(20071105:235056) [gschnorr-mcp_rommon_rel_1_25 101], DEVELOPMENT SOFTWARE
Copyright (c) 1994-2007 by cisco Systems, Inc.
Compiled Mon 05-Nov-07 16:50 by gschnorr-mcp_rommon_rel_1_25

Current image running: Boot ROM1
Last reset cause: LocalSoft
SATA drive PCI config error

ASR1006-RP1 platform with 2097152 Kbytes of main memory

rommon 1 > b tftp:images/packages_crypto/asr1000rp1-advipservicesk9.mcp_dev_20080109_101550.bin

IP_ADDRESS: 2.1.6.5
IP_SUBNET_MASK: 255.255.0.0
DEFAULT_GATEWAY: 2.1.0.1
TFTP_SERVER: 2.0.0.2
TFTP_FILE: images/packages_crypto/asr1000rp1-advipservicesk9.mcp_dev_20080109_101550.bin

Using midplane macaddr

TFTP_MACADDR: 00:14:a8:ff:42:ff
TFTP_VERBOSE: Progress
TFTP_RETRY_COUNT: 18
TFTP_TIMEOUT: 7200
TFTP_CHECKSUM: Yes
ETHER_PORT: 3
ETHER_SPEED_MODE: Auto Detect

link up 1000Mbps/FD.....

Receiving images/packages_crypto/asr1000rp1-advipservicesk9.mcp_dev_20080109_101550.bin from 2.0.0.2
!!
!!
!!

File reception completed.
Boot image size = 206741708 (0xc52a0cc) bytes

Using midplane macaddr
Package header rev 0 structure detected
Calculating SHA-1 hash...done
validate_package: SHA-1 hash:
 calculated a8301e1e:17821e94:07654c49:4ca6fe49:518af2c2
 expected a8301e1e:17821e94:07654c49:4ca6fe49:518af2c2
Image validated

PPC/IOS XE loader version: 0.0.3
loaded at: 00800000 0CD2C004
zimage at: 00807673 009B8E53
initrd at: 009B9000 01006E53
isord at: 01007000 0CD2A000
avail ram: 00400000 00800000

Kernel load:
Uncompressing image... dst: 00000000 lim: 00400000 start: 00807673 size: 001B17E0...done.
Now booting the IOS XE kernel

%IOSXEBOOT-4-BOOT_PARAMETER: (rp/0): Booting with custom BOOT_PARAM setting
%IOSXEBOOT-4-DEBUG_CONF: (rp/0): File /misc/scratch/debug.conf is absent, ignoring

Restricted Rights Legend

Use, duplication, or disclosure by the Government is subject to restrictions as set forth in subparagraph (c) of the Commercial Computer Software - Restricted Rights clause at FAR sec. 52.227-19 and subparagraph (c) (1) (ii) of the Rights in Technical Data and Computer

Software clause at DFARS sec. 252.227-7013.

cisco Systems, Inc.
170 West Tasman Drive
San Jose, California 95134-1706

Cisco IOS Software, IOS-XE Software (PPC_LINUX_IOSD-ADVENTERPRISEK9-M), Version 12.2(33)XNA, RELEASE SOFTWARE

Technical Support: <http://www.cisco.com/techsupport>

Copyright (c) 1986-2008 by Cisco Systems, Inc.

Compiled Thu 01-May-08 00:29 by mcpre

Image text-base: 0x10062810, data-base: 0x132AED48

This product contains cryptographic features and is subject to United States and local country laws governing import, export, transfer and use. Delivery of Cisco cryptographic products does not imply third-party authority to import, export, distribute or use encryption. Importers, exporters, distributors and users are responsible for compliance with U.S. and local country laws. By using this product you agree to comply with applicable laws and regulations. If you are unable to comply with U.S. and local laws, return this product immediately.

A summary of U.S. laws governing Cisco cryptographic products may be found at:
<http://www.cisco.com/wwl/export/crypto/tool/stqrg.html>

If you require further assistance please contact us by sending email to export@cisco.com.

cisco ASR1006 (RP1) processor with 548011K/6147K bytes of memory.
8 FastEthernet interfaces
6 Gigabit Ethernet interfaces
32768K bytes of non-volatile configuration memory.
2097152K bytes of physical memory.
947711K bytes of eUSB flash at bootflash:.
253407K bytes of USB flash at usb0:.

--- System Configuration Dialog ---

Would you like to enter the initial configuration dialog? [yes/no]: n



Note Basic management setup configures enough connectivity for managing the system; extended setup will ask you to configure each interface on the system. For detailed information about setting global parameters, refer to the *Cisco ASR 1000_Series Aggregation Services Routers Software Configuration Guide*.

Check the Running Configuration Settings

To check the value of the settings you have entered, enter the **show running-config** command at the `Router#` prompt:

```
Router# show running-config
```

To review changes you make to the configuration, use the EXEC mode **show startup-config** command to see the changes in NVRAM.

Save the Running Configuration to NVRAM

To store the configuration or changes to your startup configuration in NVRAM, use the **copy running-config startup-config** command to save your configuration changes to the startup configuration so that the changes will not be lost if the software reloads or a power outage occurs. For example:

```
Router# copy running-config startup-config
```

Building configuration...

It might take a minute or two to save the configuration. After the configuration has been saved, the following output appears:

```
[OK]
Router#
```

On most platforms, this task saves the configuration to NVRAM. On the Class A Flash file system platforms, this task saves the configuration to the location specified by the CONFIG_FILE environment variable. The CONFIG_FILE variable defaults to NVRAM.

To review changes you make to the configuration, use the EXEC mode **show startup-config** command to see the changes.



Note Using the **copy running-config startup-config** command saves the configuration settings that you created in the router using configuration mode and the setup facility. If you fail to do this, your configuration will be lost the next time you reload the router.

Perform Other Configuration Tasks

To make advanced configuration changes after you establish the basic startup configuration for your router, refer to the *Cisco ASR 1000 Series Aggregation Services Routers Software Configuration Guide* and modular configuration and modular command reference publications in the Cisco IOS software configuration documentation set that corresponds to the software release installed on your Cisco hardware. These publications contain additional information on using the **configure** command. The configuration publications also provide information about the following tasks:

- Understanding Diagnostic Mode feature
- Understanding Command Modes
- Booting and rebooting the router
- Understanding software packages for the Cisco ASR 1000 Series Aggregation Services Routers
- Software Upgrades

7 After Installation

Follow the instructions in this section to replace field replaceable units (FRUs) after installation. The Cisco ASR 1006 Router supports the following components as FRUs:

- Cisco ASR1000-ESP10 and Cisco ASR1000-ESP20 embedded services processors
- Shared port adapters
- Power supplies



Note For a complete list of Cisco ASR 1000 Series Routers field replaceable units, see *Cisco ASR 1000 Series Aggregation Services Routers Hardware Installation Guide*.

The following topics are covered in this section:

- [Powering Off the Cisco ASR 1006 Router Safely, page 37](#)
- [Replace a Power Supply in a Cisco ASR 1006 Router, page 37](#)
- [Install and Remove the Shared Port Adapter, page 41](#)



Warning **Only trained and qualified personnel should be allowed to install, replace, or service this equipment.**
Statement 1030

Powering Off the Cisco ASR 1006 Router Safely

This section explains how to shut down the Cisco ASR 1006 Router. It is recommended that before turning off all power to the chassis, you issue the **reload** command. This insures that the operating system cleans up all the file systems. Once the reload operation is complete, then the Cisco ASR 1006 Router can be powered off safely.

To remove power from a Cisco ASR 1006 Router safely, follow this procedure and see the examples:

Step 1 Slip on the ESD-preventative wrist strap that was included in the accessory kit.

Step 2 Enter the **reload** command.

Step 3 Confirm the reload command:

```
Rmcp-6ru-1#reload
Proceed with reload? [confirm]
Aug 17 00:06:47.051 R0/0: %PMAN-5-EXITACTION: Process manager is exiting: prs exit with reload chassis
code
```

Step 4 After confirming the reload command, wait until the system bootstrap message displays before powering off the system.

```
System Bootstrap, Version 12.2(33r)XN2, RELEASE SOFTWARE (fc1)
Technical Support: tap://www.cisco.com/techsupport
Copyright (c) 2010 by cisco Systems, Inc.
```

```
Current image running: Boot ROM0
Last reset cause: LocalSoft
```

```
ASR1000-RP1 platform with 4194303 Kbytes of main memory
```

```
mcp-6ru-1-rp0-rommon 1>
```

Step 5 Remove any power cables from the Cisco ASR 1006 Router.

- a. For power supplies with a circuit breaker switch, position the switch to the Off (O) position.
- b. For power supplies with a standby switch, place the standby switch in the Standby position.



Note After powering off the router, wait a minimum of 30 seconds before powering it on again.

Replace a Power Supply in a Cisco ASR 1006 Router

This section provides instructions for removing and replacing the AC power supply and the DC power supply in a Cisco ASR 1006 Router. Before you begin, make certain the chassis is grounded.

Remove and Then Replace an AC Power Supply

To remove a live Cisco ASR 1006 Router AC power supply that is not operating normally (and then replace the AC power supply within five minutes), follow this procedure:

Step 1 Slip on the ESD-preventative wrist strap that was included in the accessory kit.

Step 2 Before you turn off a power supply, make certain the chassis is grounded.

Step 3 Turn the power supply standby switch to the Standby position of the power supply.

Step 4 Unplug the power cable from the AC inlet on the back of the power supply and the power source.

Step 5 Unscrew the power supply captive screws.



Note The system fans are inside the power supply units and must spin for cooling. Because all the system fans can be powered by one power supply, the second power supply unit does not have to be powered on, but must be connected.



Caution If you remove a power supply from a system that has four power supplies that are connected and powered on, the system can run only for a maximum of five minutes before shutting down. However, because the fans and power elements are independent within the power supply, the replacement power supply does not have to be energized within five minutes. The only requirement is that the power supply be installed in the chassis in order to energize the fans and maintain proper system cooling.

Step 6 Grasping the power supply handles, pull the power supply from the chassis. When you remove the AC power supply, you will see the following type of messages in the log report:

```
6ru_perf2#show log
Syslog logging: enabled (0 messages dropped, 6 messages rate-limited, 0 flushes, 0 overruns, xml
disabled, filtering disabled)
```

```
No Active Message Discriminator.
```

```
No Inactive Message Discriminator.
```

```
Console logging: disabled
Monitor logging: level debugging, 0 messages logged, xml disabled,
filtering disabled
Buffer logging: level debugging, 81 messages logged, xml disabled,
filtering disabled
Exception Logging: size (4096 bytes)
Count and timestamp logging messages: disabled
Persistent logging: disabled
```

```
No active filter modules.
```

```
Trap logging: level informational, 78 message lines logged
```

```
Log Buffer (10000000 bytes):
```

```
*Jan 10 06:08:14.713: %CMRP-3-PEM_REMOVE_SHUT: R0/0: cmand: The system will shut down in 5 minutes
*Jan 10 06:08:14.718: %ASR1000_PEM-6-REMPPEM_FM: PEM/FM slot P1 removed
*Jan 10 06:08:28.966: %ASR1000_PEM-6-INSPEM_FM: PEM/FM slot P1 inserted
```

The second is after enabling console logging. Output is at the console (and in the log).

```
6ru_perf2#conf Configuring from terminal, memory, or network [terminal]?
Enter configuration commands, one per line. End with CNTL/Z.
6ru_perf2(config)#log con
% Ambiguous command: "log con"
6ru_perf2(config)#logg con
6ru_perf2(config)#^Z
6ru_perf2#
*Jan 10 06:08:54.643: %SYS-5-CONFIG_I: Configured from console by console
6ru_perf2#
6ru_perf2# *Jan 10 06:09:05.023: %CMRP-3-PEM_REMOVE_SHUT: R0/0: cmand: The system will shut down in 5
minutes
*Jan 10 06:09:05.026: %ASR1000_PEM-6-REMPPEM_FM: PEM/FM slot P0 removed
*Jan 10 06:09:10.500: %ASR1000_PEM-6-INSPEM_FM: PEM/FM slot P0 inserted
6ru_perf2#
```

Step 7 Replace the AC power supply within five minutes or the system will shutdown.

You have removed an AC power supply from the Cisco ASR 1006 Router and now must replace the AC power supply within five minutes.

Step 1 Insert another AC power supply in power supply Slot 0 or power supply Slot 1 until it is full seated.

Step 2 Tighten the captive screws. Insert the AC power cable.

Step 3 Plug the power supply cable into the power source.

Step 4 Place the power supply standby switch in the On (I) position.

Step 5 The power supply LEDs light when power is supplied to the router.

You have completed a live change-out procedure (that is, removing and replacing an AC power supply) for an AC power supply not operating properly in the Cisco ASR 1006 Router within five minutes.

Remove the DC Power Supply

Step 1 Before servicing the power supply, switch off the circuit breaker in your equipment area. As an additional precaution, tape the circuit breaker switch in the Off position.

Step 2 Slip on the ESD-preventative wrist strap that was included in the accessory kit.

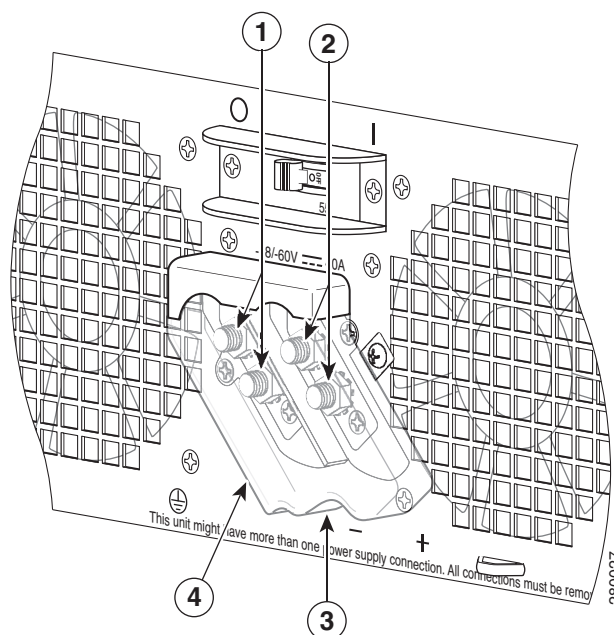
Step 3 Switch the power supply circuit breaker switch to Off (O).

Step 4 Locate the terminal block on the rear of the chassis on the power supply.

Step 5 Remove the slotted plastic cover from the terminal block.

- a. Loosen and remove the single screw on the plastic cover. The plastic cover has slots that help to slide it out diagonally from the terminal block.
- b. Using a nut driver (7/16 size), unscrew the positive kepnut, positive ground cable, and the flat washer, in that order. The terminal block houses two double-hole barrel lugs.
- c. Follow Step 4b and remove the negative ground cable.

Figure 20 DC Power Supply Terminal Block



1	DC power supply terminal block negative lead stud	3	Plastic cover slotted and keyed area
2	DC power supply positive lead stud	4	DC power supply terminal block plastic cover

Step 6 Locate the power supply ground stud. Remove the earth ground (GND) cable from the power supply. For DC power supply ground stud, see [Figure 15](#).

Step 7 Loosen and remove the Kepnut screw, washer, and ground lug in that order.



Warning **When installing the unit, the ground connection must always be made first and disconnected last.**

Step 8 Loosen the captive screws on the DC power supply.



Note Four power supplies must be installed in the chassis at all times, with a minimum of two power supplies (one per zone) connected to the mains in order to power on the system and ensure sufficient cooling. The system fans are inside the power supply units and must spin for cooling. Because all the system fans can be powered by one power supply, the second power supply unit does not have to be powered on, but must be connected.



Caution If you remove a power supply from a system that has four power supplies that are connected and powered on, the system can run only for a maximum of five minutes before shutting down. However, because the fans and power elements are independent within the power supply, the replacement power supply does not have to be energized within five minutes. The only requirement is that the power supply be installed in the chassis in order to energize the fans and maintain proper system cooling.

Step 9 Grasping the power supply handles, pull the power supply from the chassis. When you remove the DC power supply, you will see the following type of messages in the log report:

```
6ru_perf2#show log
Syslog logging: enabled (0 messages dropped, 6 messages rate-limited, 0 flushes, 0 overruns, xml
disabled, filtering disabled)
```

```
No Active Message Discriminator.
```

```
No Inactive Message Discriminator.
```

```

Console logging: disabled
Monitor logging: level debugging, 0 messages logged, xml disabled,
                  filtering disabled
Buffer logging:  level debugging, 81 messages logged, xml disabled,
                  filtering disabled
Exception Logging: size (4096 bytes)
Count and timestamp logging messages: disabled
Persistent logging: disabled
```

```
No active filter modules.
```

```
Trap logging: level informational, 78 message lines logged
```

```
Log Buffer (10000000 bytes):
```

```
*Jan 10 06:08:14.713: %CMRP-3-PEM_REMOVE_SHUT: R0/0: cmand: The system will shut down in 5 minutes
*Jan 10 06:08:14.718: %ASR1000_PEM-6-REMPEM_FM: PEM/FM slot P1 removed
*Jan 10 06:08:28.966: %ASR1000_PEM-6-INSPEM_FM: PEM/FM slot P1 inserted
```

The second is after enabling console logging. Output is at the console (and in the log).

```
6ru_perf2#conf Configuring from terminal, memory, or network [terminal]?
```



```
Enter configuration commands, one per line. End with CNTL/Z.
6ru_perf2(config)#log con
% Ambiguous command: "log con"
6ru_perf2(config)#logg con
6ru_perf2(config)#^Z
6ru_perf2#
*Jan 10 06:08:54.643: %SYS-5-CONFIG_I: Configured from console by console
6ru_perf2#
6ru_perf2# *Jan 10 06:09:05.023: %CMRP-3-PEM_REMOVE_SHUT: R0/0: cmand: The system will shut down in 5
minutes
*Jan 10 06:09:05.026: %ASR1000_PEM-6-REMPERFM: PEM/FM slot P0 removed
*Jan 10 06:09:10.500: %ASR1000_PEM-6-INSPEMFM: PEM/FM slot P0 inserted
6ru_perf2#
```

Step 10 Replace the DC power supply within five minutes or the system will shutdown.

This completes the procedure of removing a DC power supply from the Cisco ASR 1006 Router.

Replace the DC Power Supply

For instructions to replace the DC power supply in the Cisco ASR 1006 Router, go to [Connect DC Power to the Cisco ASR 1006 Router](#), page 16.

Install and Remove the Shared Port Adapter

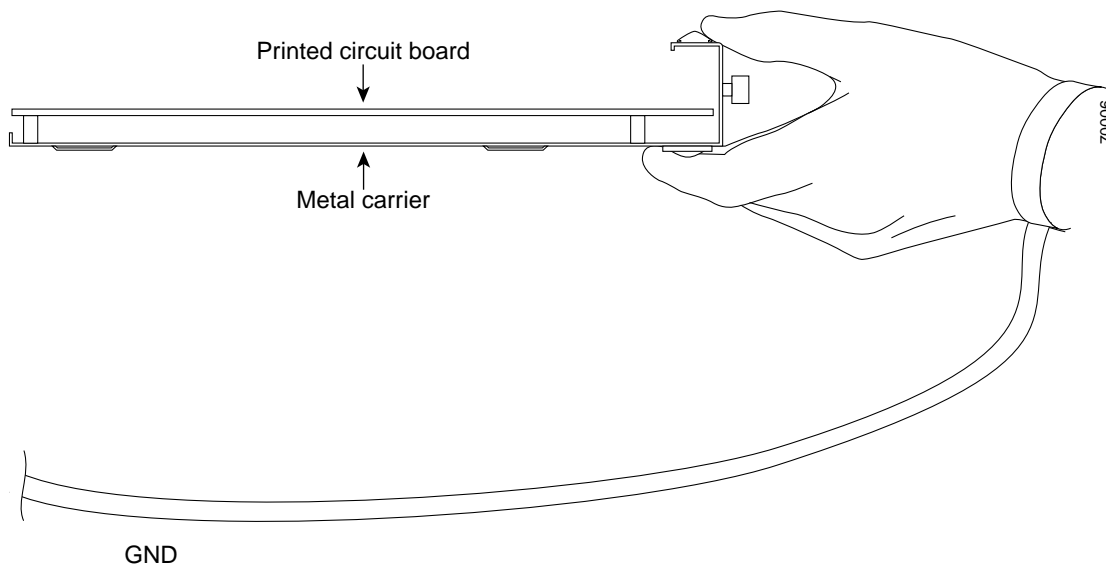
This section provides instructions for installing and removing a shared port adapter in a SIP. Each SPA circuit board is mounted to a metal carrier and is sensitive to electrostatic discharge (ESD) damage.



Caution Always handle the SPA by the carrier edges and handle; never touch the SPA components or connector pins. (See [Figure 21](#).)

When a subslot is not in use, a SPA blank filler plate must fill the empty subslot to allow the router or switch to conform to electromagnetic interference (EMI) emissions requirements and to allow proper airflow across the SPAs. If you plan to install a SPA in a subslot that is not in use, you must first remove the SPA blank filler plate.

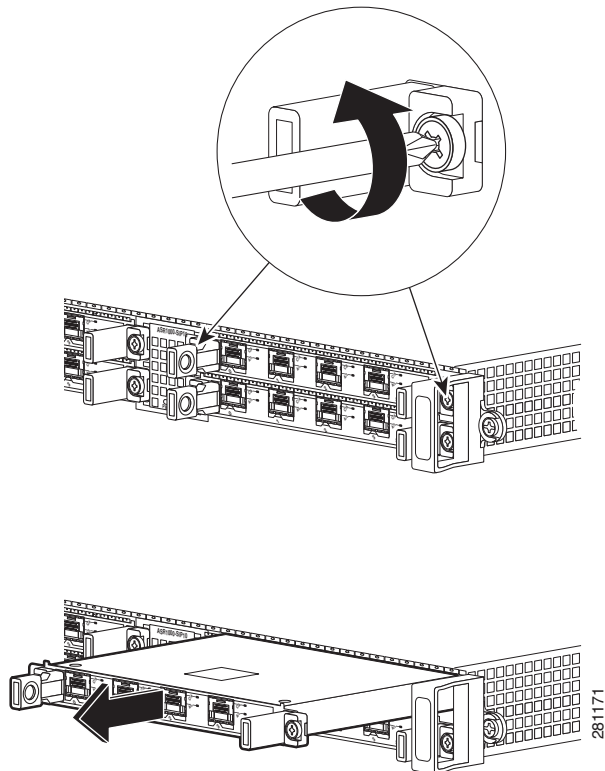
Figure 21 Handling a SPA



To install a shared port adapter into a SPA interface processor (SIP), follow these steps:

- Step 1** Before you begin, make certain the chassis is grounded.
- Step 2** To insert the SPA in the SIP, locate the guide rails inside the SIP that hold the SPA in place. They are at the top left and top right of the SPA slot and are recessed about an inch.
- Step 3** Carefully slide the SPA all the way in the SIP until the SPA is firmly seated in the SPA interface connector. When fully seated, the SPA might be slightly behind the SIP faceplate. See [Figure 22](#).

Figure 22 Installing and Removing a SPA Into and From a SIP



Step 4 After the SPA is properly seated, fasten the SPA in place with the captive installation screws on either side of the SPA.



Note The shared port adapter ships installed. These instructions are provided for future use. Cabling information is included with the specific shared port adapter documentation.

Step 1 Attach an ESD wrist strap between you and an unpainted chassis surface.

Step 2 If attached, remove any cables from the SPA.

Step 3 Before removing any shared port adapter, shut down the interface so that there is no traffic running through the shared port adapter when it is removed.



Note Removing a shared port adapter while traffic is flowing through the ports can cause system disruption.

Step 4 Remove the shared port adapter from the chassis slot. Unfasten the captive installation screws on either side of the SPA.

Step 5 Grasp the handle and pull the shared port adapter or blank shared port adapter from the router.

Step 6 Locate the shared port adapter slot guides inside the Cisco ASR 1006 Router. They are near the top, and are recessed about one-half inch.



Caution The shared port adapter must slide into the slot guides under the chassis lid. Do not allow the shared port adapter components to come in contact with the system board or the shared port adapter could be damaged.

Step 7 Carefully slide the shared port adapter into the shared port adapter slot and seat it. When installed, the shared port adapter input/output panel should be flush with the face of the router.

Step 8 Reconnect any cables, including the shared port adapter and power cables, and place the cables through any cable-management bracket.



Note If the shared port adapter fails to come up, reseal or reinsert the shared port adapter: do not use excessive force.

Step 9 Power on the router by turning the power switch to the On(I) position.



Note For detailed Cisco SPA and SIP information, see [Cisco ASR 1000 Series Aggregation Services Routers SIP and SPA Hardware Installation Guide](#).

8 Obtain Documentation and Submit a Service Request

For information on obtaining documentation, using the Cisco Bug Search Tool (BST), submitting a service request, and gathering additional information, see [What's New in Cisco Product Documentation](#).

To receive new and revised Cisco technical content directly to your desktop, you can subscribe to the [What's New in Cisco Product Documentation RSS feed](#). The RSS feeds are a free service.

Cisco and the Cisco logo are trademarks or registered trademarks of Cisco and/or its affiliates in the U.S. and other countries. To view a list of Cisco trademarks, go to this URL: www.cisco.com/go/trademarks. Third-party trademarks mentioned are the property of their respective owners. The use of the word partner does not imply a partnership relationship between Cisco and any other company. (1110R)

Any Internet Protocol (IP) addresses used in this document are not intended to be actual addresses. Any examples, command display output, and figures included in the document are shown for illustrative purposes only. Any use of actual IP addresses in illustrative content is unintentional and coincidental.



Americas Headquarters
Cisco Systems, Inc.
San Jose, CA

Asia Pacific Headquarters
Cisco Systems (USA) Pte. Ltd.
Singapore

Europe Headquarters
Cisco Systems International BV Amsterdam,
The Netherlands

Cisco has more than 200 offices worldwide. Addresses, phone numbers, and fax numbers are listed on the Cisco Website at www.cisco.com/go/offices.

Printed in the USA on recycled paper containing 10% postconsumer waste.

OL-13209-05