

INSTALLATION GUIDE

AXIS ACI Conduit Adapter 1/2"-3/4" A



1x

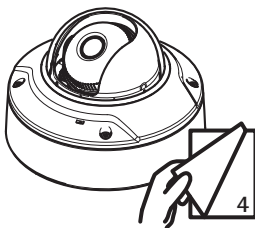


1x

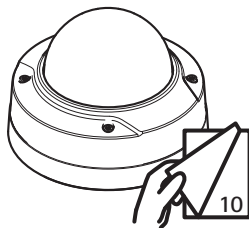


1x

AXIS Q35



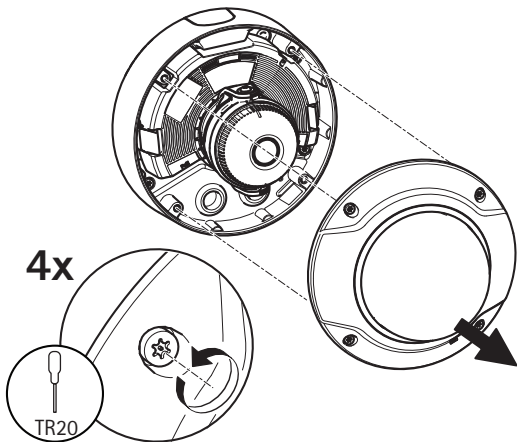
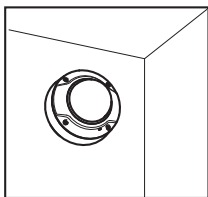
AXIS P32-E



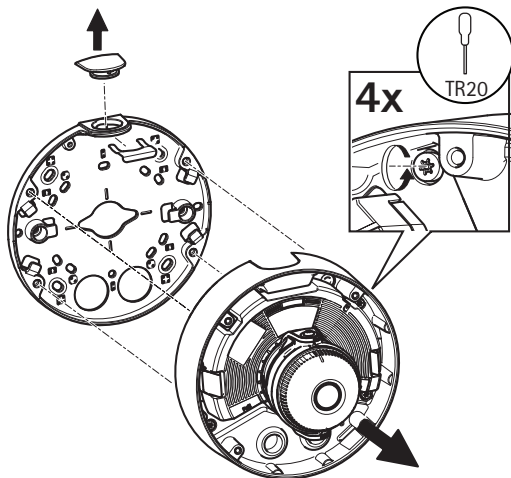
AXIS Q35



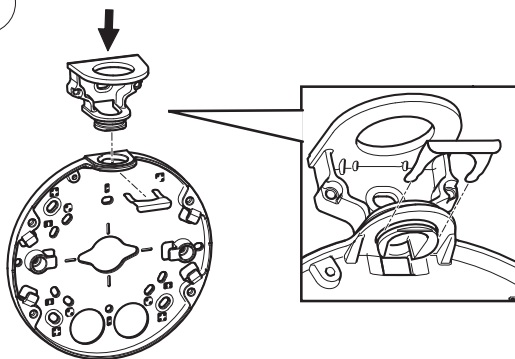
1



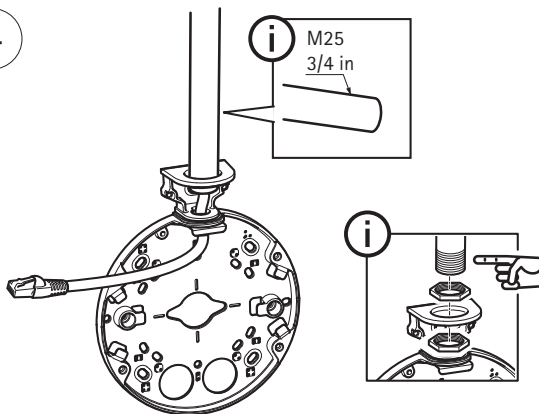
2



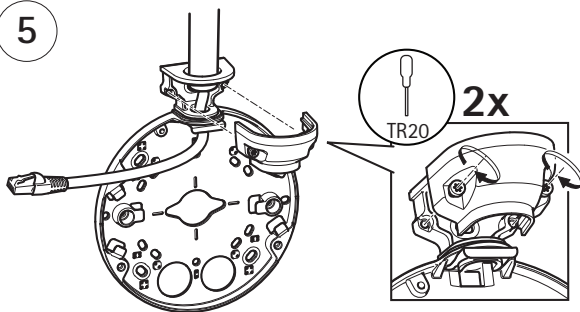
3



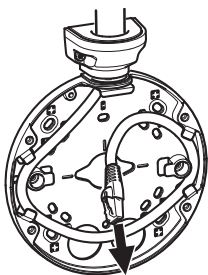
4



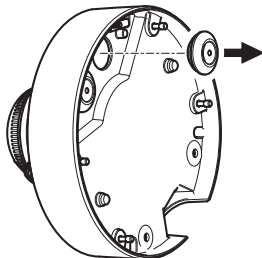
5



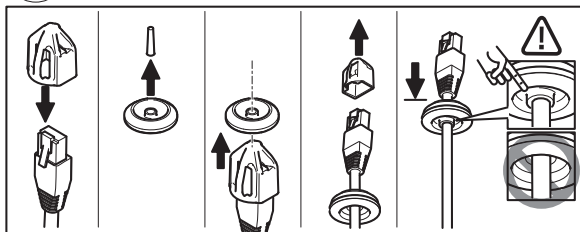
6



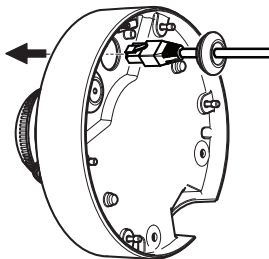
7



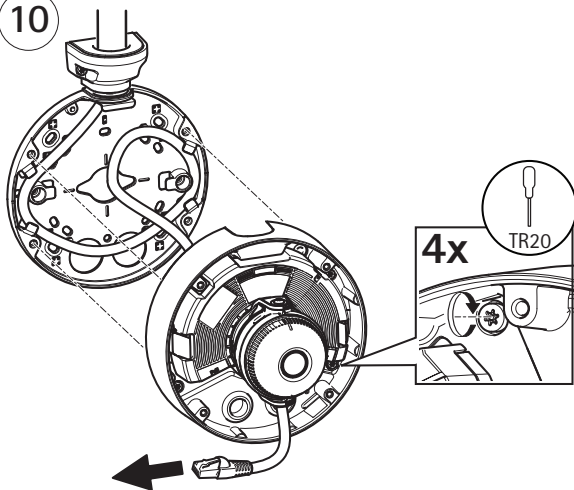
8



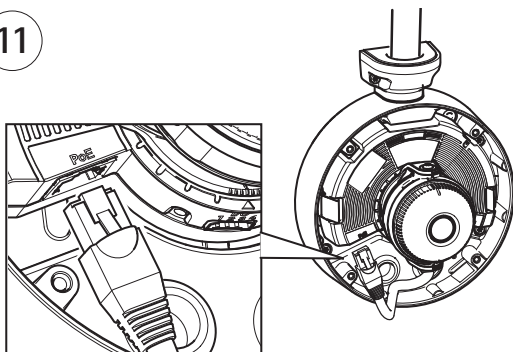
9



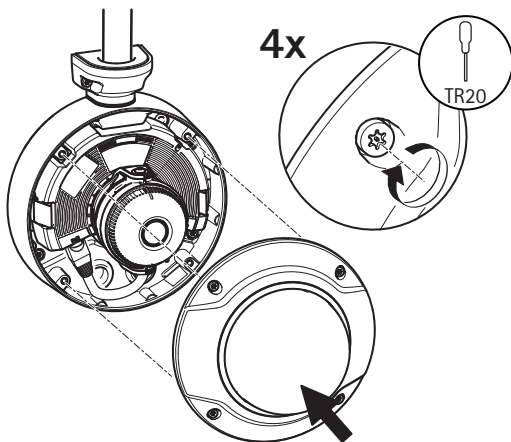
10



11



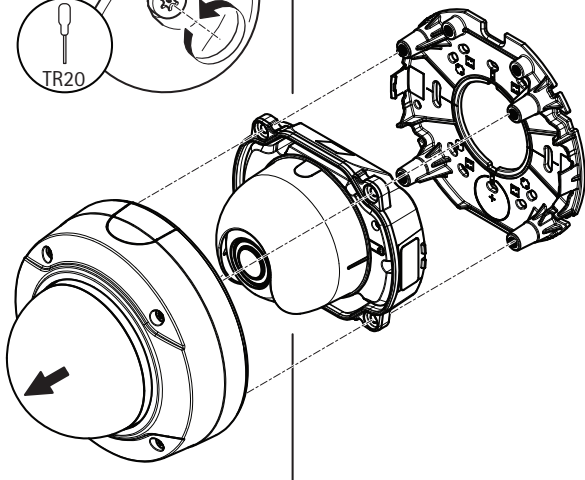
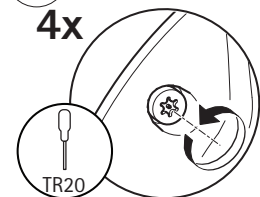
12

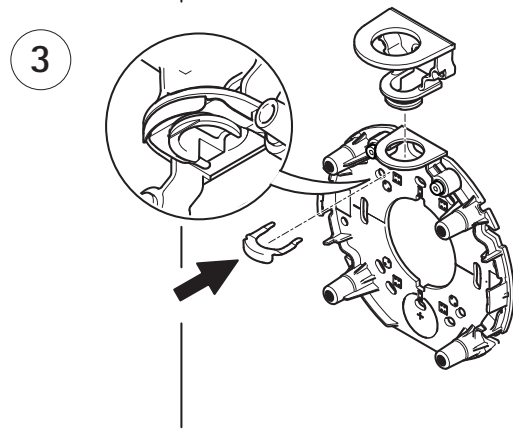
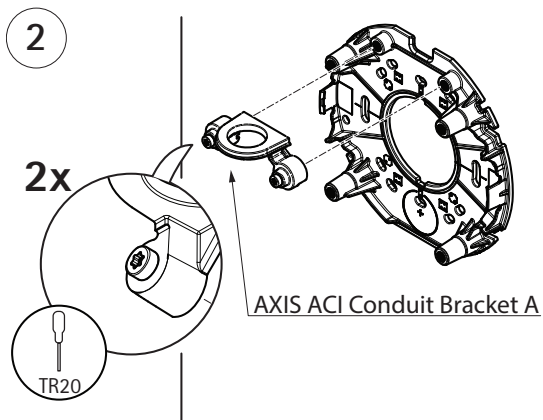


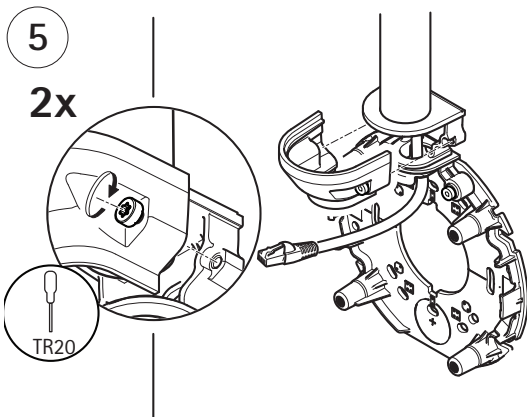
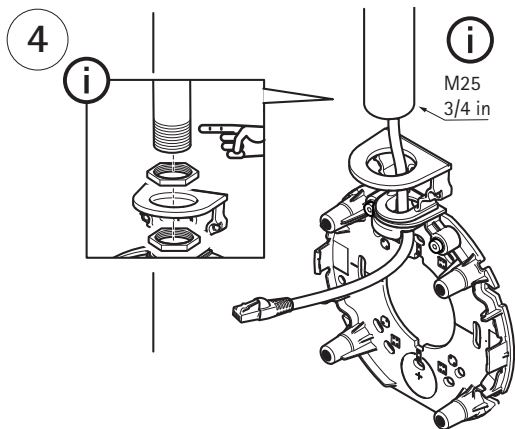
AXIS P32



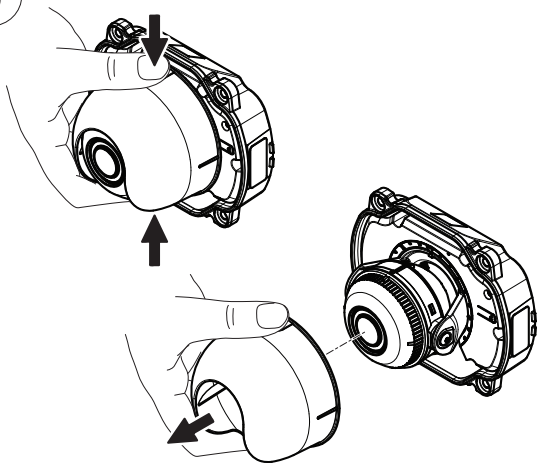
1
4x



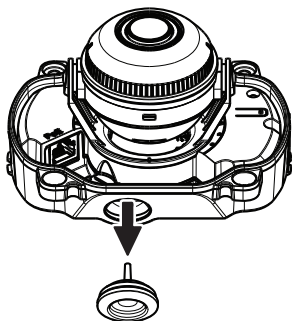




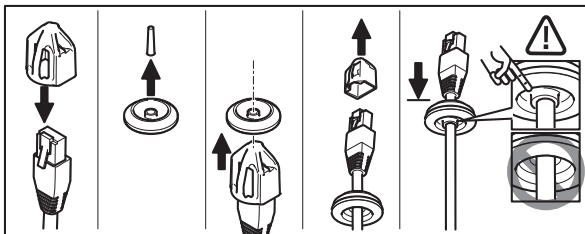
6

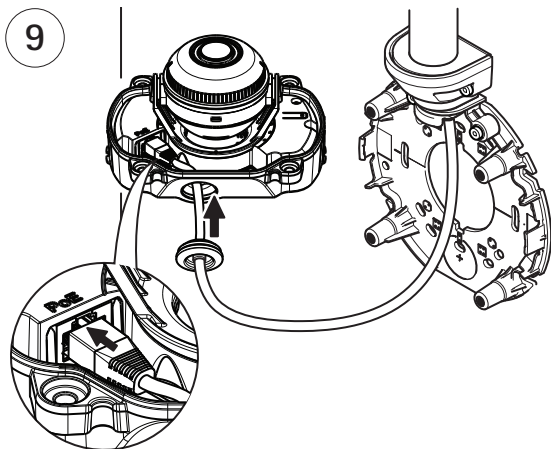


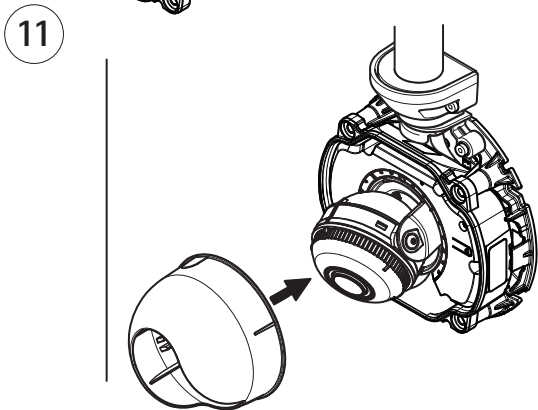
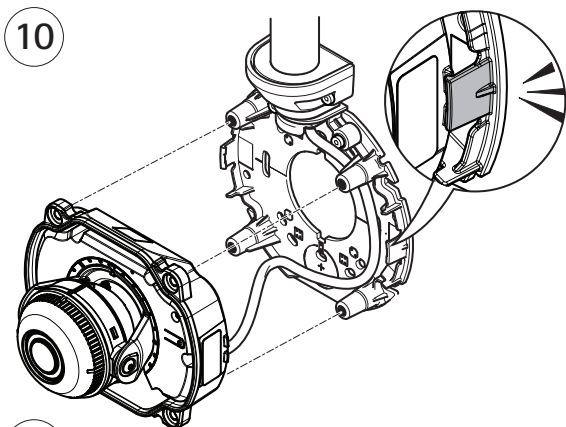
7



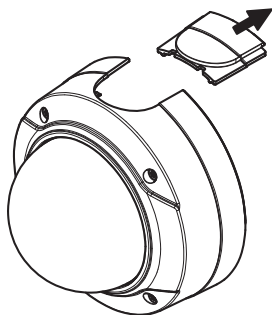
8





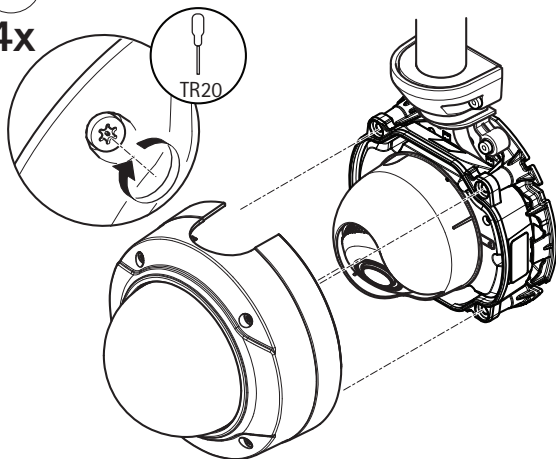


12



13

4x



Installation Guide

AXIS ACI Conduit Adapter 1/2"-3/4" A

© Axis Communications AB, 2014

Ver.2.0

Printed: December 2014

Part No. 60024