

IMAGE 1

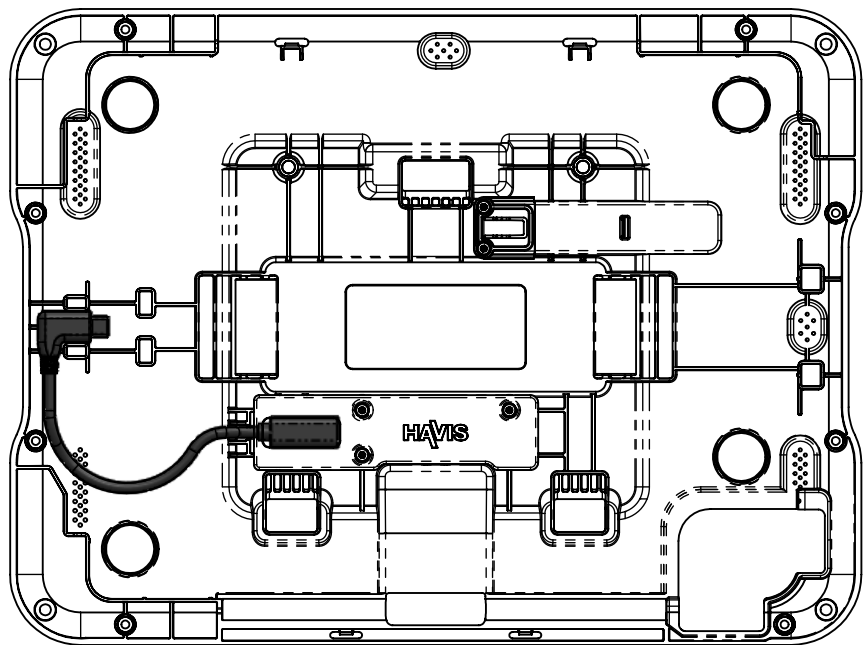


IMAGE 2

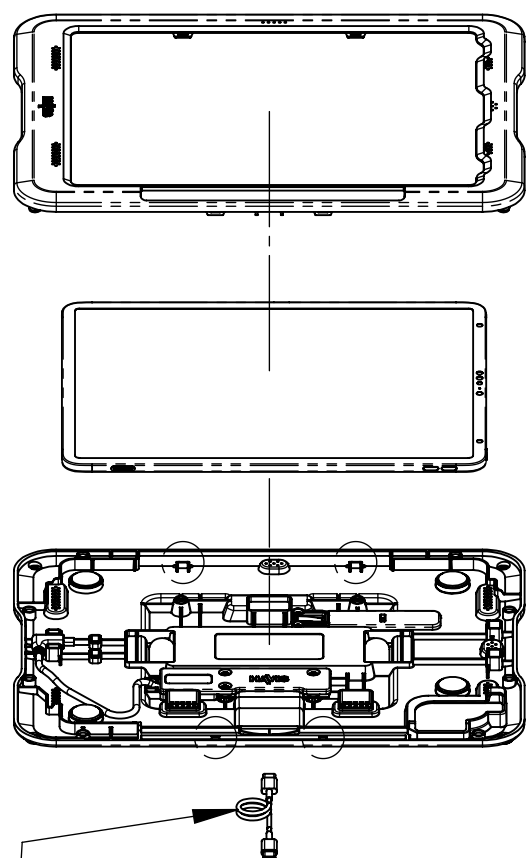
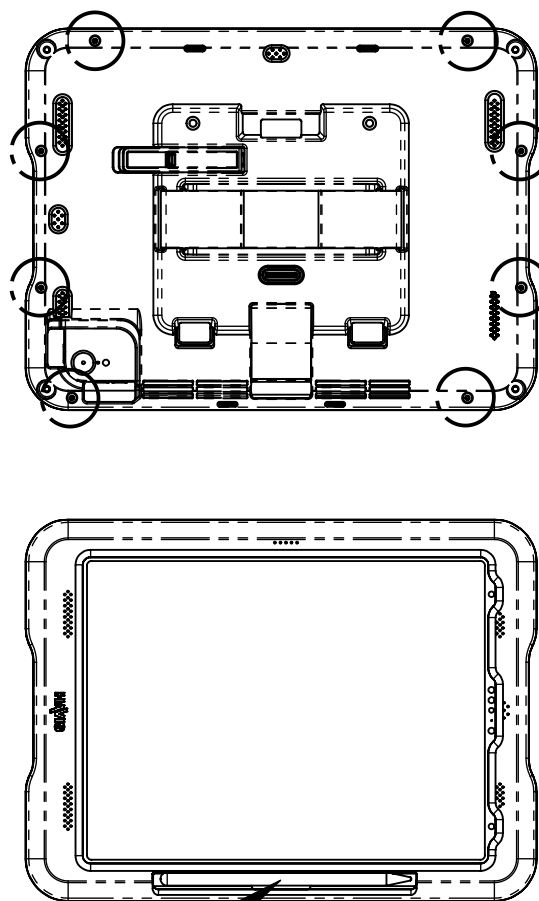


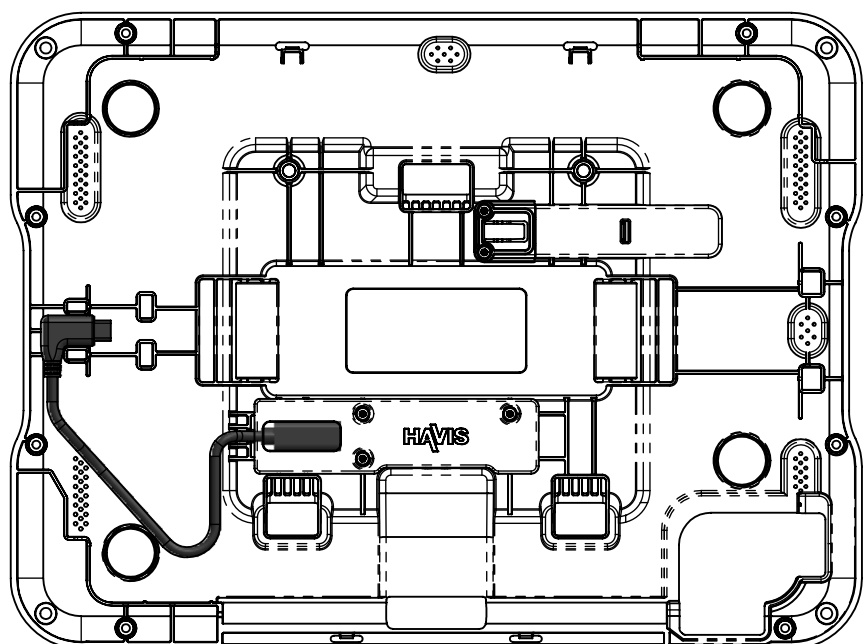
IMAGE 3



INSTALLATION INSTRUCTIONS:

1. Note the cable routing detailed in Image 1. If your case has shipped with a longer cable, it will follow the routing detailed in Image 2.
2. Insert the connector from the Protective Case into the Apple iPad Pro 12.9.
3. Place the iPad Pro into the Rear Protective Case and ensure that the cable routing matches that shown in Image 1, or Image 2 depending on your cable length. Be careful not to pinch the cable.
4. Place Front Protective Case onto the rear, noting that the Havis logo should be positioned on the bottom side (connector side) of the iPad Pro. Ensure that the cable is not pinched when placing the two halves together.
5. Your Protective Case includes four (4) snap fits located in the areas circled in Image 2. Apply light pressure until all the snaps are interlocked.
6. Holding the two pieces together, carefully turn the Protective Case over.
7. Fasten all eight (8) of the M2.5 x 6mm screws (Item #1) with the supplied T8 torx bit (Item #2) into the locations shown in Image 3. Torque to 4 in-lbs +/- 10%. Do not over-tighten screws.

IMAGE 2



USB TYPE C CABLE (NOT INCLUDED) CAN BE USED FOR CHARGING WHEN TABLET IS NOT DOCKED WITH THE DS-TAB-100.

APPLE PENCIL DOCKING PORT FOR WIRELESS CHARGING

NOTE: Hardware kit includes extra screws in the event of loss or damage.

NOTE: Protective case will allow for storage and charging of compatible Apple Pencil in location noted in Image 4.

HARDWARE KIT CONTENTS

ITEM #	DESCRIPTION	QTY.	FINISH	DRIVE STYLE/ SIZE
1	THREAD-FORMING SCREW, WASHER HEAD, M2.5 STS+ THREAD, 6MM LONG, T8 DRIVE, STEEL, ZINC-NICKEL PLATED, BLACK	12	ZINC-NICKEL PLATED, BLACK	T8
2	T-8 PIN-IN TORX BIT	1	N/A	1/4" HEX

**DRAWING NUMBER:
TC-109_INST_11-20**

WARNING: ALL HAVIS INC. PRODUCTS ARE DESIGNED WITH SAFETY OF USE AND INSTALLATION IN MIND. HOWEVER, IT IS THE SOLE RESPONSIBILITY OF THE OWNER/OPERATOR OF A VEHICLE USING HAVIS INC. MOUNTING AND DOCKING EQUIPMENT, TO INSURE THAT THE EQUIPMENT IS INSTALLED SO THAT IT WILL NOT INTERFERE WITH VEHICLE OPERATION, INTERFERE WITH SAFETY DEVICES, OBSTRUCT VIEW OF DRIVING CONDITIONS, OR IN ANY WAY DEGRADE OCCUPANT SAFETY. IMPROPER INSTALLATION CAN CAUSE SERIOUS INJURY IN THE EVENT OF AN ACCIDENT. INSTALLATION SHOULD ONLY BE PERFORMED BY QUALIFIED PROFESSIONALS. COMPUTERS AND MOTION DEVICES MUST BE MOVED TO AND STOWED/SECURED IN THEIR SAFE DRIVING POSITIONS BEFORE OPERATING VEHICLE.

PRODUCT DESCRIPTION

INSTALLATION INSTRUCTIONS FOR TC-109,
APPLE iPad PRO 12.9" PROTECTIVE CASE.

PRODUCT I.D. TC-109	DATE 11-19-20
-------------------------------	-------------------------

PRODUCT NAME
**INSTALLATION
INSTRUCTIONS FOR TC-109**

HAVIS
1-800-524-9900
WWW.HAVIS.COM

WEIGHT: (LBS)
-
REV. DATE
11-19-20

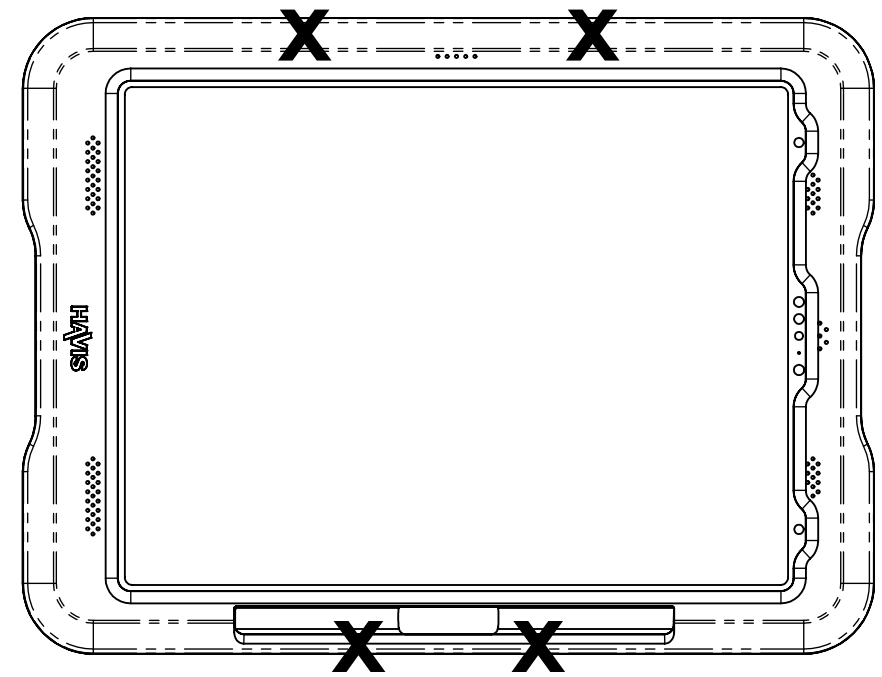


IMAGE 1

LOCATION OF SNAP FITS

REMOVING TABLET FROM PROTECTIVE CASE:

1. Remove all eight (8) of the screws that secure the front and back case together. Reference Image 3 of the installation instructions.
2. Protective case contains four snap fits that must be detached to remove the front case. Image 1 shows the locations of the snap fits.
3. Detach the snap fits on one side first applying light pressure on the snap fit locations in the directions indicated to detach the snaps (Reference Image 2).
4. While maintaining light pressure lift up the one side of the case to completely detach the snaps.
5. Repeat steps 3 and 4 to release the snaps on the opposite side. Once snap fits are detached you can then remove the front case.
6. Detach the connector from the tablet.
7. Tablet can now be removed from the protective case.

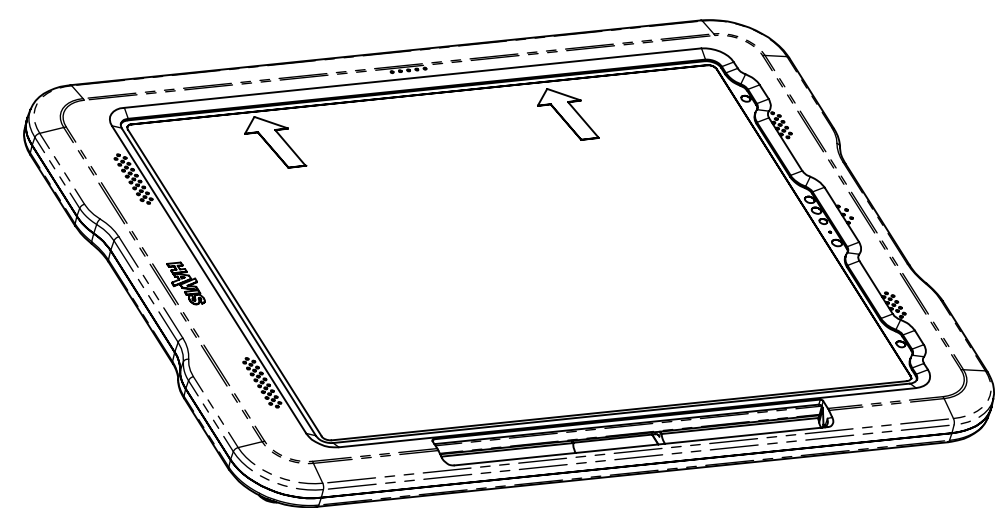


IMAGE 2

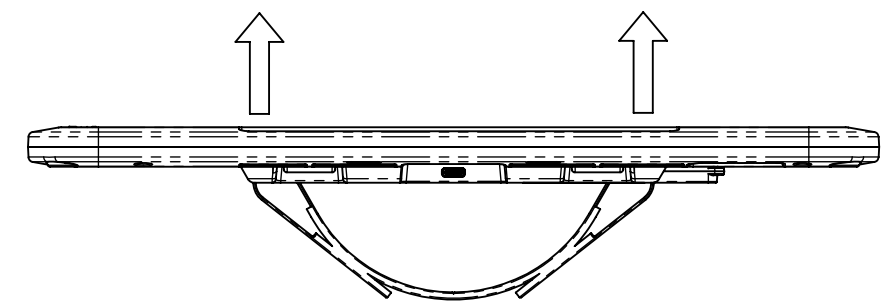



IMAGE 3

WARNING: ALL HAVIS INC. PRODUCTS ARE DESIGNED WITH SAFETY OF USE AND INSTALLATION IN MIND. HOWEVER, IT IS THE SOLE RESPONSIBILITY OF THE OWNER/OPERATOR OF A VEHICLE USING HAVIS INC. MOUNTING AND DOCKING EQUIPMENT, TO INSURE THAT THE EQUIPMENT IS INSTALLED SO THAT IT WILL NOT INTERFERE WITH VEHICLE OPERATION, INTERFERE WITH SAFETY DEVICES, OBSTRUCT VIEW OF DRIVING CONDITIONS, OR IN ANY WAY DEGRADE OCCUPANT SAFETY. IMPROPER INSTALLATION CAN CAUSE SERIOUS INJURY IN THE EVENT OF AN ACCIDENT. INSTALLATION SHOULD ONLY BE PERFORMED BY QUALIFIED PROFESSIONALS. COMPUTERS AND MOTION DEVICES MUST BE MOVED TO AND STOWED/SECURED IN THEIR SAFE DRIVING POSITIONS BEFORE OPERATING VEHICLE.

DRAWING NUMBER:
TC-109_INST_11-20

PRODUCT DESCRIPTION
INSTALLATION INSTRUCTIONS FOR TC-109, APPLE iPad PRO 12.9" PROTECTIVE CASE.

PRODUCT I.D. TC-109	DATE 11-19-20
PRODUCT NAME INSTALLATION INSTRUCTIONS FOR TC-109	
 1-800-524-9900 WWW.HAVIS.COM	WEIGHT: (LBS) -
	REV. DATE 11-19-20