

# FUJITSU Thin Client FUTRO S9011

---



# Thank you for buying an innovative product from Fujitsu.

Latest information about our products, useful tips, updates etc. is available on our website: ["http://www.fujitsu.com/fts/"](http://www.fujitsu.com/fts/)

You can find driver updates at: ["http://support.ts.fujitsu.com/download"](http://support.ts.fujitsu.com/download)

Should you have any technical questions, please contact:

- our Hotline/Service Desk (["http://support.ts.fujitsu.com/contact/servicedesk"](http://support.ts.fujitsu.com/contact/servicedesk))
- Your sales partner
- Your sales office

We hope you enjoy using your new Fujitsu system!





**Issued by / EU importer**

Fujitsu Technology Solutions GmbH

Mies-van-der-Rohe-Straße 8

80807 Munich, Germany

["http://www.fujitsu.com/fts/"](http://www.fujitsu.com/fts/)

**Copyright**

© Fujitsu Technology Solutions GmbH 2022. All rights reserved.

**Publication Date**

02/2022

Order No.: A26361-K3035-Z320-1-19, edition 3

# **FUJITSU Thin Client FUTRO S9011**

## **Operating Manual**

<b>Your FUTRO...</b>	<b>5</b>
<b>Ports and Operating Elements</b>	<b>6</b>
<b>Important notes</b>	<b>11</b>
<b>Getting started</b>	<b>14</b>
<b>Operation</b>	<b>23</b>
<b>System expansions and repairs</b>	<b>28</b>
<b>Technical data</b>	<b>29</b>
<b>Index</b>	<b>31</b>

## **Remarks**

Information on the product description meets the design specifications of Fujitsu and is provided for comparison purposes. Several factors may cause the actual results to differ. Technical data is subject to change without prior notification. Fujitsu rejects any responsibility with regard to technical or editorial mistakes or omissions.

## **Trademarks**

Fujitsu, the Fujitsu logo and FUTRO are registered trademarks of Fujitsu Limited or its subsidiaries in the USA and other countries.

Kensington and Microsaver are registered trademarks of ACCO Brands.

USB Type-C™ and USB-C™ are trademarks of the USB Implementers Forum in the USA and other countries.

Microsoft and Windows are trademarks or registered trademarks of Microsoft Corporation in the USA and/or other countries.

eLux® and Scout Enterprise Management Suite® are registered trade marks of Unicon Software Entwicklungs- und Vertriebsgesellschaft mbH in the European Union and in the USA.

All other trademarks specified here are the property of their respective owners.

## **Copyright**

No part of this publication may be copied, reproduced or translated without the prior written consent of Fujitsu.

No part of this publication may be saved or transferred by any electronic means without the written approval of Fujitsu.

# Contents

<b>Your FUTRO...</b> .....	<b>5</b>
Validity of the Reference Manual .....	5
Notational conventions .....	5
<b>Ports and Operating Elements</b> .....	<b>6</b>
Front view .....	6
Rear view .....	7
Security functions .....	8
Property and data protection .....	8
Security Lock device .....	8
Securing USB covers (optional) .....	8
<b>Important notes</b> .....	<b>11</b>
Safety notes .....	11
Transporting the device .....	12
Cleaning the device .....	12
Energy saving, disposal and recycling .....	13
<b>Getting started</b> .....	<b>14</b>
Setting up the device .....	14
Vertical operating position .....	15
Horizontal operating position .....	17
Connecting external devices .....	19
Ports on the device .....	19
Connecting a monitor .....	19
Connecting a USB mouse .....	20
Connecting a USB keyboard .....	20
Connecting external devices to the serial interface .....	20
Connecting external devices to the USB ports .....	21
Connecting Audio Devices .....	21
Connecting the device to the network (LAN) .....	21
Connecting the mains adapter .....	22
<b>Operation</b> .....	<b>23</b>
Switch the device on .....	23
Operating systems and management (device-dependent) .....	23
eLux® .....	23
Windows® 10 IoT Enterprise .....	24
Scout Enterprise Management Suite® – The management solution for Thin Clients .....	25
Switching off the device .....	26
Activating power-saving mode .....	26
Open BIOS Setup .....	26
PXE system boot .....	26
BIOS Update .....	27
Making system settings .....	27
Executing a system update .....	27
<b>System expansions and repairs</b> .....	<b>28</b>
<b>Technical data</b> .....	<b>29</b>
FUJITSU FUTRO S9011 thin client .....	29
AC adapter .....	30

## Contents

---

Internal AC adapter .....	30
USB port 3.2 Gen 2 (USB Type-C) (mainboard) .....	30
USB port 3.2 Gen 2 (USB Type-C) (Flex I/O ports) .....	30
<b>Index .....</b>	<b>31</b>



# Your FUTRO...





... is a universal network client. The intelligent and flexible terminal is reliable and easy to maintain, it does not need a fan nor a hard disk. It therefore runs very quietly. The operating system is installed on a flash memory.

## Validity of the Reference Manual

This reference manual applies to the following system with model name TCM1 for certification:

- FUJITSU FUTRO S9011 thin client

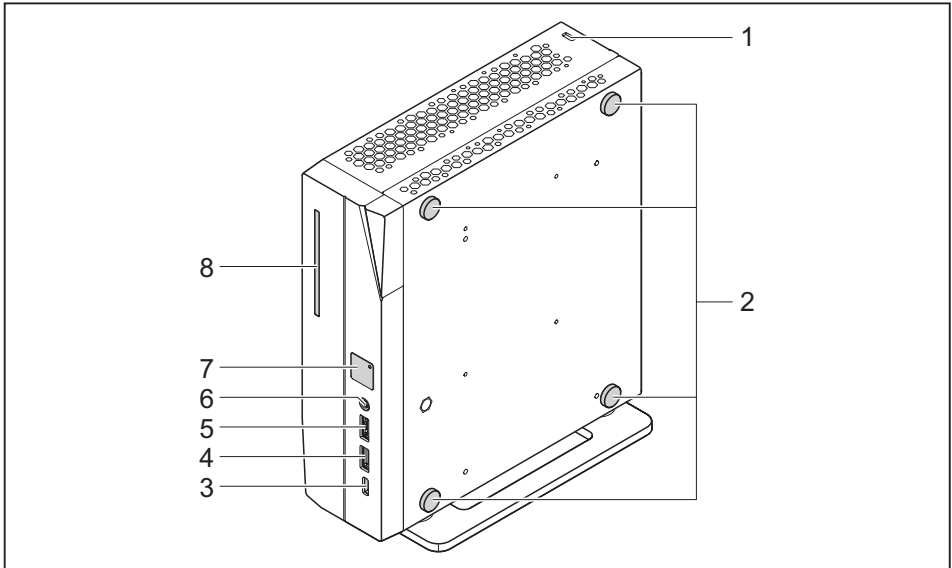
## Notational conventions

	Pay particular attention to text marked with this symbol. Failure to observe these warnings could pose a risk to health, damage the device or lead to loss of data. The warranty will be invalidated if the device becomes defective through failure to observe these warnings.
	Indicates important information for the proper use of the device.
	Indicates an activity that must be performed
	Indicates a result
<b>This font</b>	indicates data entered using the keyboard in a program dialogue or at the command line, e.g. your password ( <b>Name123</b> ) or a command used to start a program ( <b>start.exe</b> )
<i>This font</i>	indicates information that is displayed on the screen by a program, e.g.: <i>Installation is complete.</i>
<i>This font</i>	indicates <ul style="list-style-type: none"> <li>• terms and texts used in a software interface, e.g.: Click on <i>Save</i></li> <li>• names of programs or files, e.g. <i>Windows</i> or <i>setup.exe</i>.</li> </ul>
"This font"	indicates <ul style="list-style-type: none"> <li>• cross-references to another section, e.g. "Safety information"</li> <li>• cross-references to an external source, e.g. a web address: For more information, go to "<a href="http://www.fujitsu.com/fts">http://www.fujitsu.com/fts</a>"</li> <li>• Names of CDs, DVDs and titles or designations for other materials, e.g.: "CD/DVD Drivers &amp; Utilities" or "Safety/Regulations" manual</li> </ul>
<b>Key</b>	indicates a key on the keyboard, e.g.: <b>F10</b>
<b>This font</b>	indicates terms and texts that are emphasised or highlighted, e.g.: <b>Do not switch off the device</b>

# Ports and Operating Elements

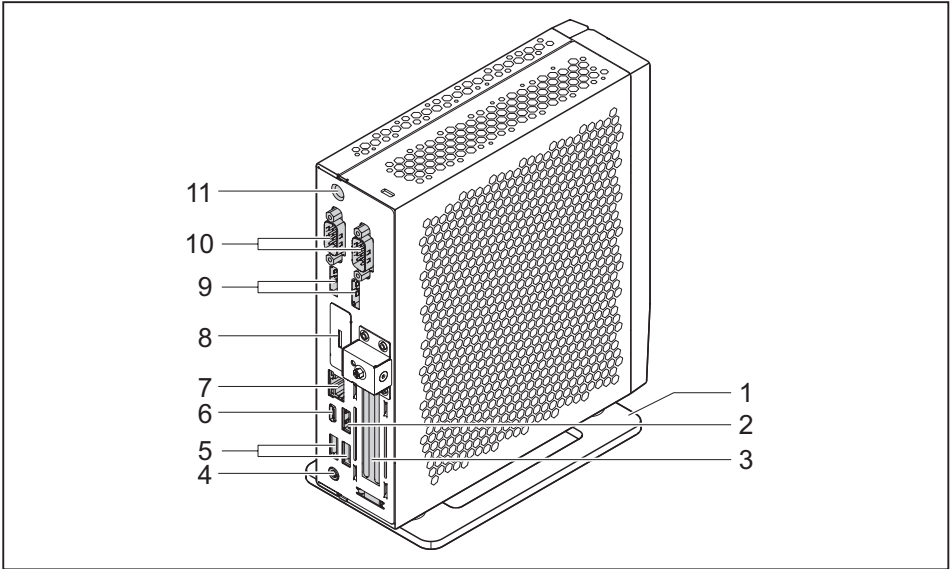
This chapter presents the individual hardware components of your device. This will provide you with an overview of the ports and operating elements on the device. Please familiarise yourself with these components before you start to work with the device.

## Front view



- 1 = Security Lock Device
- 2 = Standard feet for horizontal operating position (pre-installed)
- 3 = USB port 3.2 Gen 2 (USB Type-C) (see ["USB port 3.2 Gen 2 \(USB Type-C\) \(mainboard\)", Page 30](#))
- 4 = USB port 3.2 Gen 2 (USB Type-A)
- 5 = USB 2.0 port (USB Type-A)
- 6 = Combined Headphone and Microphone Port
- 7 = ON/OFF switch
- 8 = SmartCard Reader

## Rear view



- |   |                                      |
|---|--------------------------------------|
| 1 = Foot for the vertical operating position  | 7 = RJ45 socket (Local Area Network) |
| 2 = USB port 3.2 Gen 2 (USB Type-A)   | 8 = Flex I/O                         |
| 3 = PCI/PCIe slot   | 9 = Displayports                     |
| 4 = Combined Headphone and Microphone Port  | 10 = Serial Interfaces               |
| 5 = USB 2.0 ports (USB Type-A)  | 11 = DC Socket (DC IN)               |
| 6 = USB port 3.2 Gen 2 (USB Type-C) (see <a href="#">"USB port 3.2 Gen 2 (USB Type-C) (mainboard)", Page 30</a> ) |                                      |

**i**

The FUTRO S9011 has a Flex I/O with one of the following possible connection types:

- HDMI
- LAN
- Serial Interface
- USB port 3.2 Gen 2 (USB Type-C)
- DisplayPort

See ["USB port 3.2 Gen 2 \(USB Type-C\) \(Flex I/O ports\)", Page 30](#) to learn more about the Flex I/O port.

## Security functions

### Property and data protection

Software functions and mechanical locking offer a broad range of functions for protecting your device and your personal data from unauthorised access. You can also combine these functions.

### Security Lock device

Using the Security Lock device and the Kensington Lock cable (steel cable, accessory) you can protect your device against theft. Please consult the manual for your Security Lock.

Your device has a Security Lock device on the rear side.

If you are using the VESA sub-adapter, first connect the Kensington Lock Cable to the Security Lock device and then mount your device on the VESA sub-adapter. You can find more information in the manual for your FUJITSU FUTRO S monitor carrier.



When using the Security Lock device, opening of the casing is also prevented.

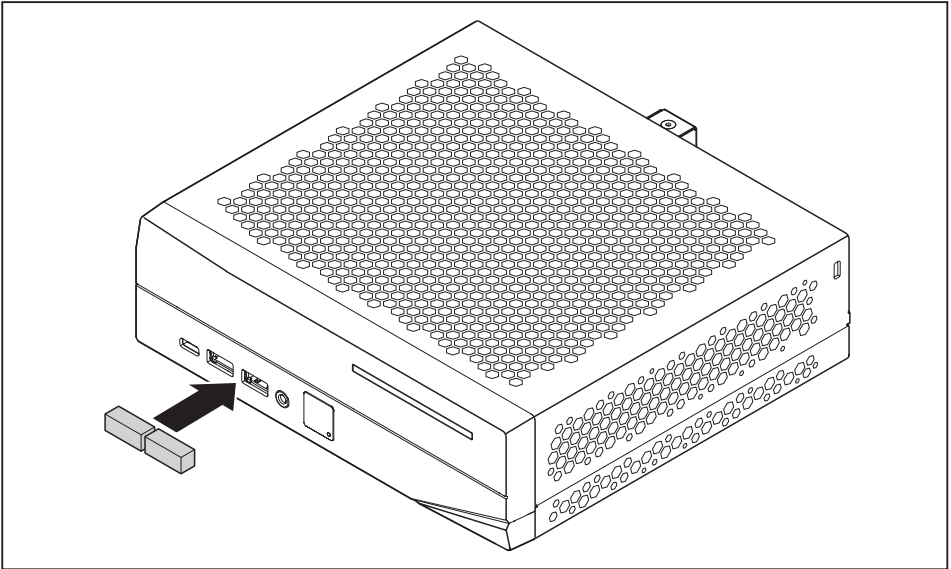
### Securing USB covers (optional)

To prevent use of the USB ports, you can attach optional USB covers to the USB ports on the front and rear side of the device.

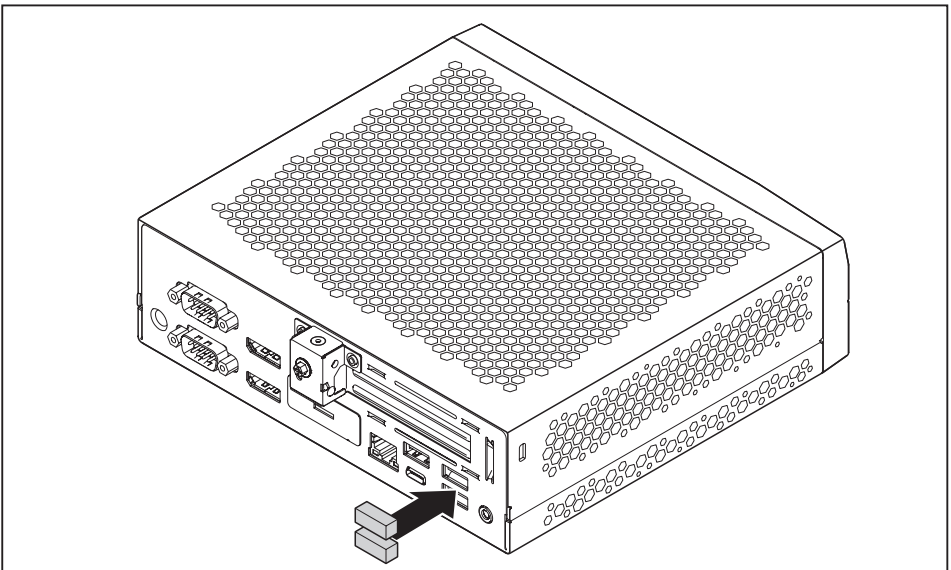


Please note that USB covers, once fitted, cannot be removed again!

Ensure that you fit the USB covers the right way round.



- ▶ Insert the USB covers in the USB ports on the front of the device and push the USB covers in firmly.



- ▶ Insert the USB covers in the USB ports on the rear side of the device and push the USB covers in firmly.



In the *BIOS Setup*, under *Advanced - USB Port Security*, you can also deactivate the USB ports, in order to limit the use of USB devices.

# Important notes

In this chapter you will find information regarding safety which it is essential to take note of when working with your device.

## Safety notes



Please follow the safety notes provided in the "Safety/Regulations" manual as well as the safety notes given below.

When installing and operating the device, please observe the notes on ambient conditions in ["Technical data", Page 29](#) and the instructions in ["Getting started", Page 14](#).

The device may only be operated up to a maximum height of 3000 m (9842 ft) (for China only 2000 m (6557 ft)).

Caution, components in the system can get very hot.

The activities described in these instructions must always be performed with the greatest care.

For system expansions and repairs to the unit, refer to the manual "System Expansions and Repairs". Some of the activities described in this manual may only be performed by authorized personnel. Improper repairs may cause danger to the user (electric shock, fire hazard) or material damage to the unit.

Operate the device only with the casing closed.



Power cable and mains adapter:

The supplied power cable conforms to the requirements of the country in which you purchased your device. Make sure that the power cable is approved for use in the country in which you intend to use it.

The mains adapter's power cable should only be connected to a mains socket if the device is connected.

Do not use the mains adapter for other devices.

Use only the mains adapter which is intended for use with the device, see chapter ["Technical data", Page 29](#).

Make sure that the rated current of the mains adapter is not higher than that of the power system to which you connect the mains adapter.

ON/OFF switches do not disconnect the device from the mains voltage. To completely disconnect the mains voltage, remove the power plug from the power socket.

## Transporting the device



Transport all parts separately in their original packaging or in a packaging which protects them from knocks and jolts, to the new site.

Do not unpack them until all transportation manoeuvres are completed.

If the device is brought from a cold environment into the room where it will be used, condensation may occur. Before operating the device, wait until it is absolutely dry and has reached approximately the same temperature as the installation site.

## Cleaning the device



Turn off all power and equipment switches and disconnect the power plug from the mains outlet.

Do not clean any interior parts yourself, leave this job to a service technician.

Do not use any cleaning agents that contain abrasives or may corrode plastic (alcohol, thinner or acetone).

Never clean the device with water! Water entering into the device could present a serious risk to users (e.g. electric shock).

Ensure that no liquid enters the system.

The surface can be cleaned with a dry cloth. If particularly dirty, use a cloth that has been moistened in mild domestic detergent and then carefully wrung out.

Use disinfectant wipes to clean the keyboard and the mouse.



## Energy saving, disposal and recycling

You can find information on these subjects in chapter ["Activating power-saving mode", Page 26](#), on the Recovery DVD or on our websites:

- ["Fujitsu Responsible Business: Fujitsu EMEIA"](#)
- ["Recycling Program: Fujitsu EMEIA"](#)

**The following sections apply to the FUJITSU Thin Client FUTRO only:**

Information about the "Eco-design directive": Regulation 1275/2008, based on the EU Eco-design Directive (2009/125/EU), defines requirements for the power consumption of electrical and electronic domestic and office devices in stand-by and off mode.

In general, all FUTRO thin client products have been developed for energy-efficient operation and low stand-by losses. Customer-specific requirements and requirements of the operating system, which are a priority for optimal operation, can contradict the requirements of the above-mentioned regulation.

For administrative purposes, such as remote maintenance of systems, the "Wake-on-LAN" (WoL) function is indispensable for our customers and is therefore a default setting. When the WoL function is active, the maximum permissible power draw can be exceeded slightly in OFF mode. By deactivating the WoL function, it is possible to comply with the legal requirements. Please see chapter ["Activating power-saving mode", Page 26](#) for the procedure.

The energy saving mode (ACPI S4 Save-to-disk), which is familiar from many current mobile and desktop systems, is not available in the embedded operating systems for technical reasons. Therefore, it is not possible to switch devices with this operating system automatically into Off mode.

The operating system of a thin client is stored on a flash memory with optimised size and is provided with write protection after configuration has been completed by the customer. This prevents data security from being put at risk through frequent writing to a flash memory, such as when updating the *swapfiles* in the operating system or through other applications. Every flash memory permits only a limited number of write cycles. Both the activated write protection and the available limited flash memory capacity rule out the possibility of activating energy saving mode (ACPI S4).

# Getting started



Please observe the safety information in the "[Important notes](#)", [Page 11](#) chapter.

## Setting up the device



In order to ensure that the casing is sufficiently ventilated and to prevent overheating, the device must only be operated with the base foot attached.

If the device is to be built-in, adequate ventilation must be assured.



The foot for the vertical operating position needs to be installed (see "[Vertical operating position](#)", [Page 15](#)). The feet for the horizontal operating position have been pre-installed (see "[Horizontal operating position](#)", [Page 17](#)).

## Vertical operating position



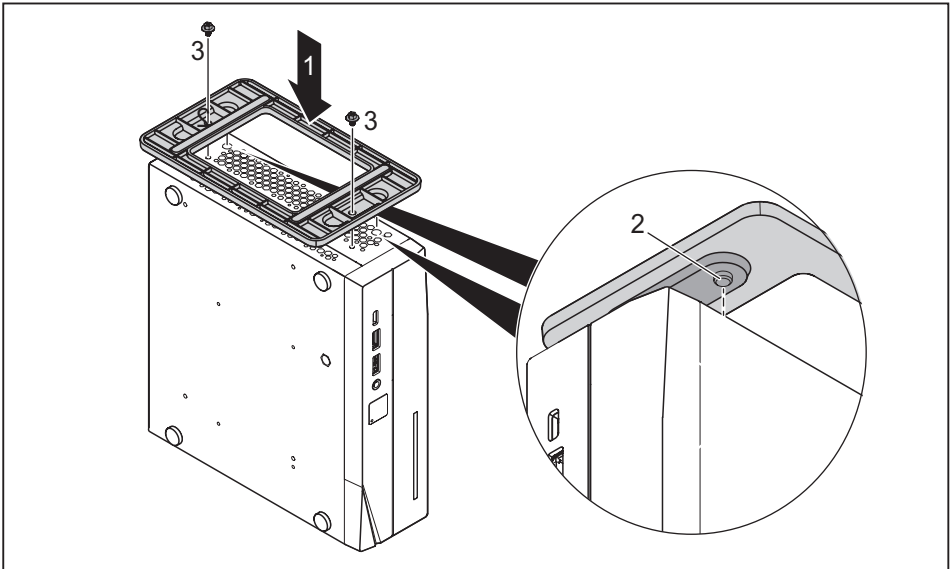
If you want to operate the unit in a vertical position, use the foot for the vertical operating position supplied with the unit.

Attach the foot only to the side of the device shown in the figures.

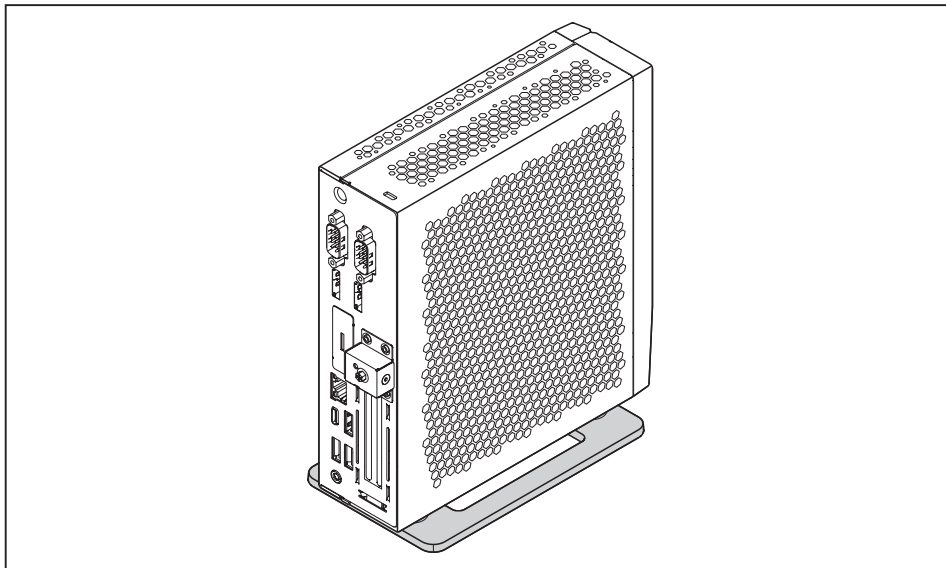
If connecting many cables to the device, ensure that the device is in a stable position, in order to prevent it from toppling over.

Proceed as follows to prepare the device for the vertical operating position:

- ▶ Disconnect the cables if required.
- ▶ Lay the device on its top (narrow side) as shown, on a stable, flat and clean surface.



- ▶ Place the foot on the housing (1). Make sure that you align the 2 latches (2) on the foot with the corresponding holes on the housing.
- ▶ Fix the foot with the screws (3).

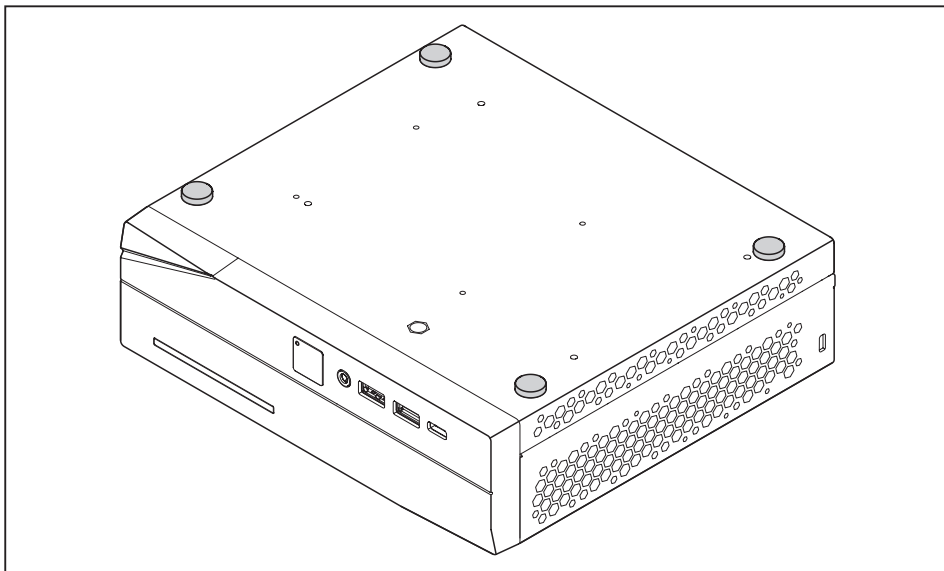


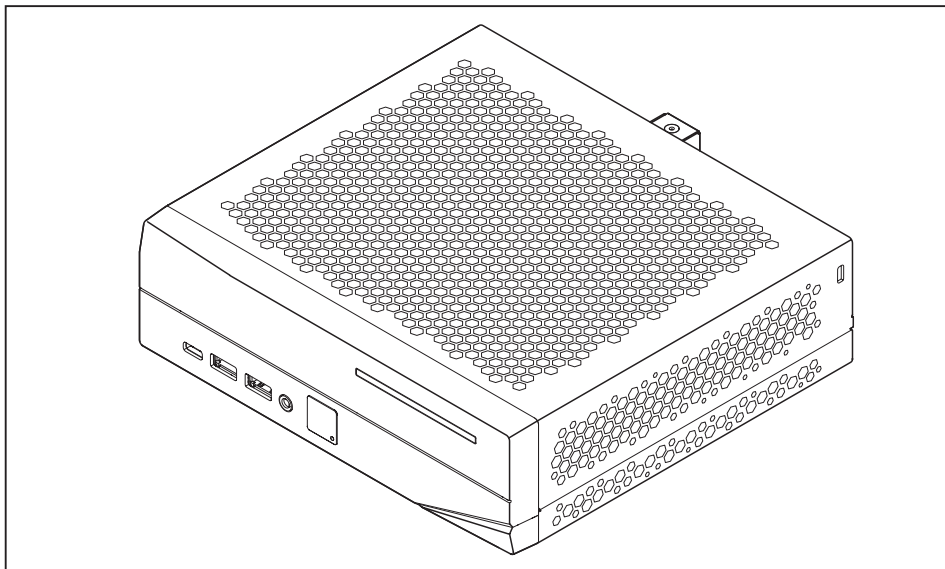
- ▶ Place the unit on the foot.
- ▶ If necessary, reconnect any cables that were previously disconnected.

## Horizontal operating position



The feet for the horizontal operating position have been pre-installed.





- ▶ Place the device on the feet.
- ▶ If necessary, reconnect any cables that were previously disconnected.

## Connecting external devices



Read the documentation on the external device before connecting it.

With the exception of USB devices, always remove all power plugs before connecting external devices!

Do not connect or disconnect cables during a thunderstorm.

Always hold the plug of a cable when removing it. Never unplug a cable by pulling the cable itself.

To ensure that your device works properly, use only the connection cable supplied or use a high-quality connection cable.

## Ports on the device

The ports are located on the front and rear side of the device. The ports available on your device depend on the configuration level you have selected. The standard ports are marked with the symbols shown below (or similar). Detailed information on the location of the ports is provided in the manual for the mainboard.



Headphone port, black (front of device)

**DP**

DisplayPort



USB 2.0 - Universal Serial Bus, type A, black



USB 3.2 Gen 2 - Universal Serial Bus, type A: blue, type C: black



RJ45-LAN port



Serial Interface



Some of the connected devices require special software (e.g. drivers) (refer to the documentation for the connected device and operating system).

## Connecting a monitor



Only attach the screen to your device when it is switched off.

- ▶ Follow the instructions contained in the monitor manual to prepare the monitor for operation (e.g. connecting cables).
- ▶ Connect the data cable to the required monitor port on your device.
- ▶ Plug the monitor power cable into the grounded mains outlet.

## Connecting a USB mouse

- ▶ Connect the USB mouse to one of the USB ports on the device.

## Connecting a USB keyboard

Use only the keyboard cable supplied.

- ▶ Plug the USB connector of the keyboard cable into a USB port of the device.

## Connecting external devices to the serial interface



For an exact description of how to connect external devices to the corresponding port, please see the external device documentation.

External devices can be connected to the serial port.

- ▶ Connect the data cable to the external device.
- ▶ Connect the data cable to the corresponding serial interface.

## Port settings



You can change the settings of the port in the *BIOS Setup*.

## Device drivers



The devices connected to the serial interface require drivers. Your operating system already includes many drivers. If the required drive is missing, install it. The latest drivers are usually available on the Internet or will be supplied on a data carrier.



## Connecting external devices to the USB ports

You can connect a wide range of external devices to the USB ports (e.g. printer, scanner, mouse or keyboard).



USB devices are hot-pluggable. This means you can connect and disconnect USB cables while your device is switched on.

Additional information can be found in the documentation for the USB devices.

- ▶ Connect the data cable to the external device.
- ▶ Connect the data cable to one of the USB ports on your device.

### Device drivers



External USB devices which you connect to one of the USB ports don't usually need their own drivers because the software required is already included in the operating system. If the device requires separate software, please follow the instructions in the manufacturer's documentation.

## Connecting Audio Devices

- ▶ Connect the audio device to the combined headphone and microphone port.

## Connecting the device to the network (LAN)

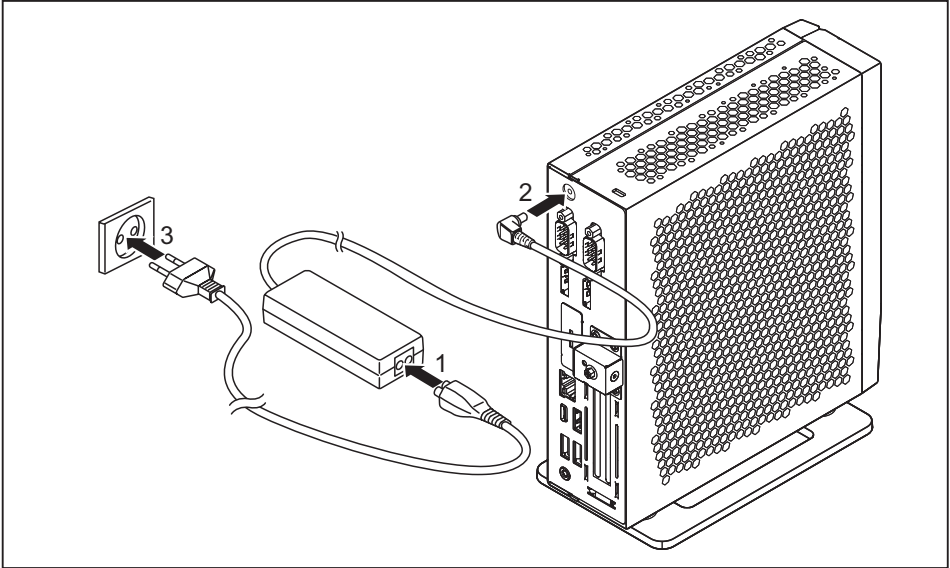
- ▶ Connect the 10/100/1000 Base T network cable to the RJ45 LAN port.

## Connecting the mains adapter



Observe the safety notes in the enclosed "Safety/Regulations" manual.

The supplied power cable conforms to the requirements of the country in which you purchased your device. Make sure that the power cable is approved for use in the country in which you intend to use it.



- ▶ Connect the mains cable (1) to the mains adapter.
- ▶ Connect the mains adapter cable (2) to the DC jack (DC IN) of the device.
- ▶ Plug the mains cable (3) into a mains socket.

---

# Operation

## Switch the device on

- ▶ If necessary, switch the monitor on (see the operating manual for the monitor).
- ▶ Press the ON/OFF switch on the front of the device.
- ↳ The power indicator lights up and the device starts.

## Operating systems and management (device-dependent)

Depending on the configuration level, your device is fitted with one of the following operating systems:

- eLux®
- Windows® 10 IoT Enterprise LTSC

Regardless of the operating system, your device can be managed with the *Scout Enterprise* management solution.

### eLux®

The eLux Thin Client operating system is based on Linux and is protected against viruses and malware by the write-protected file system.

It has a lean and modular structure, and thus has low demands on the hardware. It enables access to the server via the integrated Citrix and Microsoft clients as well as the optional VMware client. It has a user-friendly licence model, with the possibility of transferring licences to new devices.



Updates for eLux® can be found on the Fujitsu support pages or on the Internet at ["www.myelux.com"](http://www.myelux.com).

For more information on eLux, go to ["http://www.unicon-software.com/produkte/elux/"](http://www.unicon-software.com/produkte/elux/).

## Windows® 10 IoT Enterprise

The Windows® versions approved by Fujitsu are optimally designed for thin client applications due to the pre-installed write filter and client software. In addition they offer an optimum integration into Scout Enterprise or SCCM.



The write protect filter is not enabled in the delivery state, to make it easier to adapt the thin client to your requirements. Fujitsu strongly advises that the write protect filter should be enabled during normal operation, because only then is the typical thin client high security of the device guaranteed. In addition, the enabled write filter has a positive effect on the durability of the flash memory.

You can find updates for Windows® operating systems on the Internet at "<http://support.ts.fujitsu.com>".

Please note the licensing restrictions when running a Windows® version for thin clients, such as for example:

- No desktop functions may be run on the local system.
- Files that are the result of the use of desktop functions are not allowed to be permanently saved on the local system.

### Additional information

This Product is licensed under the AVC, the VC-1 and the MPEG-4 Part 2 Visual patent portfolio licenses for the personal and non-commercial use of a consumer to (i) encode video in compliance with the above standards ("Video Standards") and/or (ii) decode AVC, VC-1 and MPEG-4 Part 2 Visual that was encoded by a consumer engaged in personal and non-commercial activity or was obtained from a video provider licensed to provide such video. None of the licenses extend to any other product regardless of whether such product is included with this product in a single article. No license is granted or will be implied for any other use. Additional information may be obtained from MPEG LA, LLC. See "[www.mpegla.com](http://www.mpegla.com)".

To the extent that non-Product software includes AV Technologies licensed by MPEG LA, LLC under a product category, such license agreement will determine any royalties due for AV Technologies included in non-Product software.

This Product includes audio encoding and decoding technology from Dolby Laboratories. Microsoft has licensed Dolby's two-channel decoder for use in this Product. Company is not licensed for Dolby Digital Plus decoder for decoding more than two channels and the Dolby Digital consumer encoder, and Company must separately license such technologies from Dolby. Company agrees to obtain the license(s) and to pay applicable royalties and other fees. Dolby considers failure to obtain such licenses to be infringement of Dolby Laboratories intellectual property rights. Company may apply for a license from Dolby Laboratories using the following URL: "<http://www.dolby.com/professional/technology/licensing/getting-licensed.html>".

If you have questions for Dolby Laboratories, Company may contact Dolby Laboratories at the following email address: "[licensinginquiries@dolby.com](mailto:licensinginquiries@dolby.com)".

Dolby, Dolby Digital Plus, Dolby Digital Stereo Creator and the double-D symbol are registered trademarks of Dolby Laboratories. Any use of those marks requires a separate license from Dolby.

Graphics processor supports DirectX 9. Some games and programs may require DirectX 10 or higher for superior performance and graphics. Check "[www.windows.com/Windows10specs](http://www.windows.com/Windows10specs)" for details.

Some Windows® 10 IoT Enterprise features - such as Windows Hello, support for 5-point touch, USB peripheral support - may require advanced hardware. Check "[ts.fujitsu.com/futro](http://ts.fujitsu.com/futro)" for details.

---

# Scout Enterprise Management Suite® – The management solution for Thin Clients

## Basic functionalities

- Multi-administrator policy
- Simple scalability and high availability
- Optimal support of complex organisations

## Asset management functions

- Display of serial number and connected monitors
- Illustration of update history
- Flexible licence management
- Display of device, hardware and network information
- Display of installed or connected components, such as mainboard, memory, display adapters, monitors and USB devices

## User-friendliness and handling

- Simple and intuitive operation
- Automatic updates of eLux packages
- Complete audit reporting

## Help Desk support

- Support of Wake-On-LAN and Remote Power On/Off
- Mirroring of desktops, encrypted and audit-proof
- Extensive diagnostic information



For more information on Scout Enterprise, go to ["http://www.unicon-software.com/produkte/scout-enterprise/"](http://www.unicon-software.com/produkte/scout-enterprise/).

More information and manuals are available on the Internet at ["http://www.unicon-software.com/udocs/"](http://www.unicon-software.com/udocs/).

## Switching off the device

- ▶ Shut down the operating system in the proper way. In Windows: from the *Start* menu select the *Shut Down* option.
- ▶ If the operating system does not automatically switch the device into energy-saving mode or switch it off, press the ON/OFF switch. Warning, this could lead to a loss of data!
- ↳ If the device is switched off, it consumes a minimum of energy.



The ON/OFF switch does not disconnect the device from the mains voltage. To completely disconnect the mains voltage, remove the power plug from the power socket.

- ▶ If necessary, switch the monitor off (see the operating manual for the monitor).

## Activating power-saving mode

Due to customer requirements and requirements of the operating system, the "Wake-on-LAN" (WoL) function is switched on by default. With the WoL function, the power draw in OFF mode increases slightly.

To meet the requirements of EC regulation 1275/2008 regarding the implementation of the Ecodesign directive (2009/125/EC), the default WoL setting must be changed as follows:

- ▶ To start the *BIOS-Setup-Utility* press the **[F2]** key.
- ▶ In the *Power* sub-menu, change the *USB Power setting* setting to *Always Off*.
- ▶ In the same menu, change the *Wake up on LAN*, *Wake up on Time* and *Wake up on Keyboard* settings to *Disabled*.
- ▶ To save the settings and exit the *BIOS-Setup-Utility*, press the **[F10]** function key and confirm the corresponding message.
- ↳ After making this change, the system will achieve the lowest energy saving mode during shut-down.  
In this status, the "Wake-on-LAN" function can no longer be used.

## Open BIOS Setup

- ▶ When the system starts, press the ON/OFF switch for two to three seconds.

or

- ▶ Press (possibly several times) the **[F2]** key.
- ↳ *BIOS Setup* will be started. Select one of the tabs to access other setting options in *BIOS Setup*.

## PXE system boot

- ▶ Switch the device on with the ON/OFF switch.
- ▶ When starting the system, press the **[F12]** key several times.
- ↳ The boot menu is displayed.
- ▶ Select the desired boot option.

## BIOS Update

### When should a BIOS update be performed?

Fujitsu Technology Solutions makes new BIOS versions available to ensure compatibility with new operating systems, new software or new hardware. In addition, new BIOS functions can be integrated.

A BIOS update should also always be performed if there is a problem that cannot be solved using new drivers or new software.

### Where can I obtain BIOS updates?

You can find the BIOS updates on the Internet at "<http://support.ts.fujitsu.com/>".

## Making system settings

Make the system settings as described in the documentation for your operating system.

## Executing a system update

There are two ways of updating your system software:

- via the Unicon Product Scout Enterprise
- via an external USB data carrier

For information on the system update, see the documentation on your operating system.

## System expansions and repairs



Information on system expansions and repairs can be found on the Internet in the "System Expansions and Repairs" manual at ["http://www.fujitsu.com/fts/support"](http://www.fujitsu.com/fts/support).

Operations that are distinguished in the manual as Only For Service, such as repairs to the device, may only however be performed by authorised service technicians. Incorrect repairs may greatly endanger the user (electric shock, fire risk) and will invalidate your warranty.



# Technical data

## FUJITSU FUTRO S9011 thin client

<b>Electrical data</b>	
Processor:	AMD Ryzen R1606G, dual core 2.6 GHz (max. 3.5 GHz)
Rated voltage:	With AC adapter: 19 – 20 V
	With internal PSU: 100 – 240 V
Max. rated current:	With AC adapter: 3.42 A
	With internal PSU: 1,0 A
<b>Dimensions (vertical operating position)</b>	
Width x Depth x Height (with foot):	90 mm x 189 mm x 199 mm / 3.54 inch x 7.44 inch x 7.84 inch
Width x Depth x Height (without foot):	57.5 mm x 189 mm x 190 mm / 2.26 inch x 7.44 inch x 7.48 inch
<b>Dimensions (horizontal operating position, without WLAN)</b>	
Width x Depth x Height (with foot):	57.5 mm x 189 mm x 190 mm / 2.26 inch x 7.44 inch x 7.48 inch
Width x Depth x Height (without foot):	57.5 mm x 189 mm x 190 mm / 2.26 inch x 7.44 inch x 7.48 inch
<b>Weight</b>	
in basic configuration:	approx. 1.08 kg / 2.38 lbs
<b>Environmental conditions</b>	
Temperature:	
• Operation	15 °C .... 35 °C / 59 °F ... 95 °F
• Transportation	-25 °C .... 60 °C / -13 °F ... 140 °F
Clearance required to ensure adequate ventilation:	Minimum of 200 mm / 7.87 inches on all sides
Maximum permissible operating height	3000 m (9842 ft), for China only 2000 m (6557 ft)



Condensation must be avoided during operation.

## AC adapter

Electrical data	
Rated voltage:	100 – 240 V
Max. rated current:	1.8 A
Rated frequency:	50 – 60 Hz



Only the following adapter with Limited Power Source may be used:

- S26113-E631-V75 model A20-065N2 A

## Internal AC adapter

Electrical data	
Rated voltage:	100 - 240 V
Max. rated current:	1,0 A
Rated frequency:	50 – 60 Hz



Only the following internal adapter may be used:

- S26113-E598-V50 model: DPS-65AB-2A

## USB port 3.2 Gen 2 (USB Type-C) (mainboard)

Electrical data	
Data (R/W):	Gen 2, 5 Gbps
Video (Display):	Not available
Power delivery IN:	Not available, no "Power delivery" function
Power delivery OUT:	5 V, 3 A
Output limit:	1.5 A if USB ports 3.2 Gen 2 are simultaneously used on the front and reverse

## USB port 3.2 Gen 2 (USB Type-C) (Flex I/O ports)

Electrical data	
Power delivery IN:	20 V, 3.25 A
Power delivery OUT:	5 V, 3 A
Data (R/W):	Gen 2, 5 Gbps
Video (Display):	3840x2160@60Hz
Output limit:	System PCIe interface allow assembly of max. 2 W add-in cards

# Index

## B

- Base feet 17
- base foot 15
- BIOS-Setup
  - opening 26

## C

- Components
  - installing/removing 28
- Connecting
  - USB keyboard 20
- Connecting a USB mouse 20

## D

- Data protection 8
- DC IN 7
- Device
  - Ports 19
- Device drivers,
  - serial interface 20
- Device,
  - switching off 26
  - switching on 23
  - transporting 12
  - upgrades 28
- Devices,
  - connecting 20–21
- Display port 7
- DisplayPort 19
- Disposal 13

## E

- Energy saving 13
- External devices
  - Ports 19
- External devices,
  - connecting 20–21

## F

- Flash memory access 6
- Flex I/O 7

## G

- Getting started 14

## H

- Headphone jack 7
- Headphone port 6

- Headphones 19
  - connecting 21
- Horizontal operating position 17

## I

- Important notes 11

## L

- LAN 21
- LAN port 19
- LAN socket 7
- Line-out devices
  - connecting 21

## M

- Microphone
  - connecting 21
- Microphone port 6–7
- Monitor port 7
- Monitor,
  - Connecting 19
  - switching off 26
  - switching on 23

## N

- Note
  - safety 11
- Notes
  - important 11

## O

- Off switch 6
- On switch 6
- Operating position, horizontal 17
- Operating position, vertical 15

## P

- PCI slot 7
- PCIe slot 7
- Ports 6, 19
- Power cable
  - connection 22
- Power-on indicator 6
- Preparing for operation 22
- Property protection 8
- Protection, property and data 8
- PXE system boot 26

### R

- Recycling 13
- Retransportation 12

### S

- Safety notes 11
- Security Lock
  - Security Lock device 6
- Serial interface 20
- Serial interface,
  - connecting devices 20
  - settings 20
- Serial port 7, 19
- Servicing 28
- Side cover 15
- SmartCard reader
  - indicator 6
- System expansion 28
- System unit, see Device 12

### T

- Technical data 29

- Transportation 12

### U

- Universal Serial Bus 19
- Upgrades,
  - device 28
- USB
  - ports 6
- USB devices,
  - connecting 21
- USB port 20
  - connecting keyboard 20
- USB port,
  - connecting devices 21
- USB ports 7

### V

- Vertical operating position 15