



THE ULTIMATE FORCE

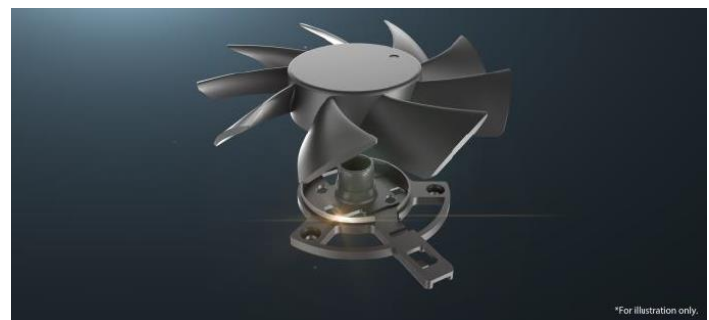
STAY COOL. BE TUF

# TUF-GTX1650-4GD6-GAMING

*-Built TUF*

## ASUS Exclusive Innovations

- The **ASUS TUF Gaming GeForce® GTX 1650** is built with the breakthrough graphics performance of the award-winning **NVIDIA Turing™ architecture** to supercharge your favorite games.
- Get **game ready** with performance that's twice as fast as the GeForce GTX 950 and up to 70% faster than the GTX 1050.
- **GeForce Experience** lets you capture and share videos, screenshots, and livestreams with friends, keep GeForce drivers up to date, and easily optimize your in-game settings.
- **Space-Grade Lubricant**  
A new lubricant allows these sleeve bearings to deliver a quieter acoustic profile than dual ball bearing designs and match their durability.
- **IP5X-Certified Dust Resistance**  
Dust resistance protects fans from particle ingress for better durability.



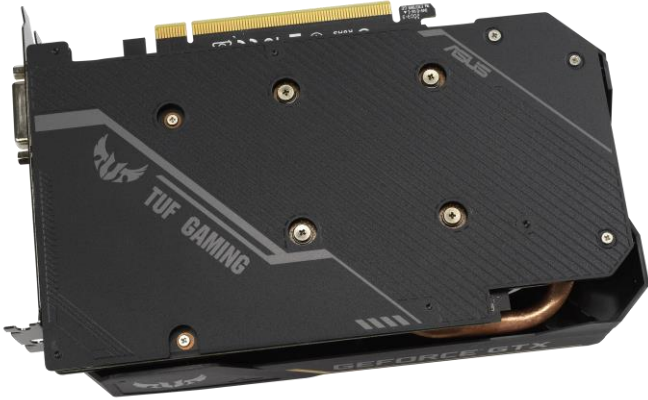
\*For illustration only.



THE ULTIMATE FORCE

## ■ Protective Backplate

A rigid backplate prevents PCB flex and trace damage.



## ■ TUF Compatibility Testing

A suite of tests ensure flawless compatibility with TUF gaming motherboards, chassis, and other TUF alliance products.



\*The image is for reference only.

## ■ 144-hour Validation Program

A series of stringent tests ensure compatibility with the latest games.



## ■ Software Suite

Tweak performance with GPU Tweak II, stream games with XSplit Gamecaster, and get a better connection to game servers with wtfast.



\*Free 14-day premium XSplit Gamecaster.

\*Six-month wtfast premium license\* — a USD\$53.95 value — to let user enjoy online gaming that's free from lag, latency and lost packets.



THE ULTIMATE FORCE

## ASUS Features

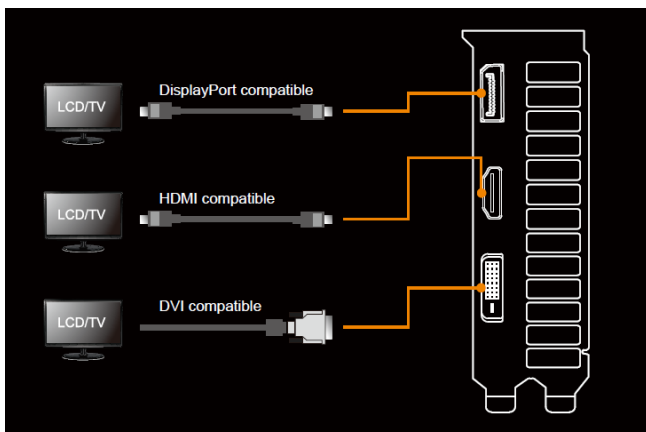
# 4GB GDDR6 Memory

■ **4GB GDDR6 Memory:**  
On-board memory for the best gaming experience & the best resolution.

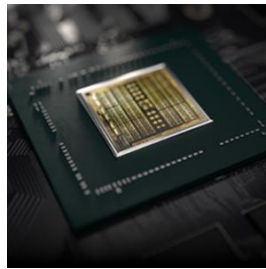


■ **Auto-Extreme Technology:**  
An automated manufacturing process that enhances reliability.

## I/O Specifications



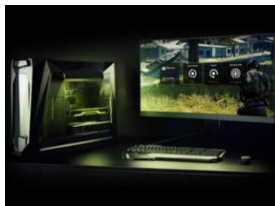
## Graphics GPU Features



■ **TURING SHADERS:**  
Featuring concurrent execution of floating point and integer operations, adaptive shading technology, and a new unified memory architecture with twice the cache of its predecessor, NVIDIA Turing™ shaders enable awesome performance increases in today's games.



■ **AWESOME PERFORMANCE:**  
Easily upgrade your PC and get game ready with performance that's twice as fast as the GeForce GTX 950 and up to 70% faster than the GTX 1050 in the latest games.



■ **GEFORCE EXPERIENCE:**  
GeForce Experience™ is the essential companion to your GeForce graphics card. Capture and share videos, screenshots, and livestreams with friends, keep your GeForce drivers up to date, and easily optimize your in-game settings.



■ **NVIDIA® ANSEL:**  
This powerful tool lets you take professional-grade screenshots of your games. Now, you can record and share your most brilliant gaming experiences with super-resolution, 360-degree, HDR, and stereoscopic capture modes.



■ **MORE CREATING, LESS WAITING:**  
Dedicated GPU power accelerates the creative apps you use every day. Combined with NVIDIA Creator Ready Drivers, you'll get additional performance and reliability to supercharge your creativity.



THE ULTIMATE FORCE

## Hardware Specification

<b>Model</b>	<b>TUF-GTX1650-4GD6-GAMING</b>
<b>Graphics Engine</b>	NVIDIA® GeForce® GTX 1650
<b>CUDA cores</b>	896
<b>OpenGL</b>	OpenGL® 4.6
<b>Engine Clock</b>	OC mode: 1620 MHz(Boost Clock) Gaming mode: 1590 MHz(Boost Clock) / 1410 MHz(Base Clock)
<b>Memory Interface</b>	128 bit
<b>Video Memory</b>	4GB GDDR6
<b>Memory Speed</b>	12 Gbps
<b>Power connectors</b>	N/A
<b>I/O</b>	1x Native HDMI 2.0b 1x Native DisplayPort 1.4 1x Native DVI-D
<b>HDCP compliant</b>	HDCP 2.2
<b>Digital Max Resolution</b>	7680 x 4320
<b>Maximum Display Support</b>	3
<b>NVLink / Crossfire Support</b>	N/A
<b>Recommended PSU</b>	300W
<b>Bus Standard</b>	PCIe 3.0
<b>Package Contents</b>	1 x Speedsetup Manual
<b>Software Bundled</b>	ASUS GPU Tweak II & Driver, please download all software from the support site.
<b>Slot</b>	2.3 slot
<b>Dimension</b>	
<b>Card Size (cm/inch)</b>	20.45 x 12.49 x 4.56 cm 8.05 x 4.91 x 1.79 inches
<b>Color Box (mm)</b>	364 x 217 x 66 mm
<b>Weight</b>	
<b>Single Card (KG)</b>	0.641
<b>Product Weight (with packing) (KG)</b>	1.09
<b>Note</b>	* All specifications are subject to change without notice. Please check with your supplier for exact offers. Products may not be available in all markets. If you do not use the latest and current specifications of ASUS products, you shall be liable for all loss and damage claimed by third party to ASUS based on false advertising or any other issues caused from using false specifications of ASUS products.



THE ULTIMATE FORCE