

# テレコンバーター TELECONVERTER XF1.4X TC WR

## 日本語

レンズの焦点距離を約 1.4 倍にするテレコンバーターです。

## 安全上のご注意

- 以下の内容をよくお読みの上、正しくご使用ください。
- お読みになったあとで、いつでも見られるところに必ず保管してください。

表示内容を無視して誤った使い方をしたときに生じる危害や障害の程度を次の表示で説明しています。
<div><span>警告</span></div> <div>この表示の欄は「死亡または重傷などを負う可能性が想定される」内容です。</div>

## テレコンバーターをお使いになる前に

テレコンバーターの性能を十分に発揮させるためには、カメラ・レンズともに、テレコンバーターに対応したファームウェアにアップデートしてください。ファームウェアをアップデートする場合、カメラのファームウェアを先にアップデートしてください。ご使用のファームウェアのバージョンの確認方法やアップデート方法は以下のホームページをご覧ください。  
<http://fujifilm.jp/support/digitalcamera/download/>

パソコンをお持ちでない方は、カメラの使用説明書に記載のサポートセンターにお問い合わせください。

## 使用可能なレンズ

このテレコンバーターは取り付け可能なレンズが限られます。最新の情報は以下のホームページをご確認ください。  
[http://fujifilm.jp/personal/digitalcamera/x/fujinon\\_lens\\_xf14x\\_tc\\_wr/](http://fujifilm.jp/personal/digitalcamera/x/fujinon_lens_xf14x_tc_wr/)

- 対応レンズ以外は装着しないでください。レンズや本体に損傷や性能劣化の恐れがあります。

## レンズの明るさについて

- レンズのF値が一段分暗くなります。
- レンズの絞りリングに記されたF値と実際のF値にズレが生じますが、カメラには正しいF値が表示されます。

## 取り付けかた

- 1 カメラの電源を OFF にします。
  - 2 レンズとテレコンバーターの指標を合わせて、矢印の方向に「カチッ」とはまるまで回し、レンズにテレコンバーターを取り付けます。(Fig.A)
  - 3 テレコンバーターとカメラの指標を合わせて、矢印の方向に「カチッ」とはまるまで回し、レンズとテレコンバーターをカメラに取り付けます。(Fig.B)
- テレコンバーターのレンズ取り外しレバーを押さないようにご注意ください。

## 取り外しかた

- 1 カメラの電源を OFF にします。
- 2 カメラのレンズ着脱ボタンを押しながら、テレコンバーターとレンズを矢印の方向に回して取り外します。(Fig.C)
- 3 テレコンバーターのレンズ取り外しレバーを押しながら、レンズを矢印の方向に回して取り外します。(Fig.D)

## レンズのお手入れと取扱い上のご注意

- レンズ信号接点は汚さないようにご注意ください。
- レンズ・フィルターガラス面の清掃は、ほこりを拭う程度にしてください。指紋がついたときは、レンズクロスやレンズペーパーに少量のレンズクリーナーを含ませて、レンズの中心から外周へ渦巻き状に、拭きムラ、拭き残りのないように注意して拭いてください。
- シンナーやベンジンなどの有機溶剤は絶対に使用しないでください。
- テレコンバーターをケースなどに入れるときは、必ずレンズフロントキャップとレンズリアキャップを取り付けてください。
- テレコンバーターを長期間使用しないときは、カビやサビを防ぐために、高温多湿のところを避けて保管してください。また直射日光のあたるところ、ナフタリンや樟脳のあるところも避けてください。
- レンズを水に濡らすと、部品がサビつくなどして故障の原因となります。雨や水滴がついたときは、よく拭いて乾かしてください。
- ストープの前など、高温になるところに置かないでください。極端に温度が高くなると、製品が変形することがあります。

## 主な仕様

### XF1.4X TC WR

レンズ構成	：3群 7枚
外形寸法	：Φ 58.0mm × 15.0mm(マウント基準面間距離)
質量	：約 130g (レンズキャップ含まず)
付属品	：レンズフロントキャップ、レンズリアキャップ、レンズポーチ

## ENGLISH

**This teleconverter increases the focal length of a lens by 1.4x.**

## Safety Notes

- While every care has been taken to ensure that this product is safe, read the instructions provided below to ensure that you use the product correctly.
- After reading these instructions, be sure to keep them handy for future reference.

The icons shown below are used in this document to indicate the severity of the injury or damage that can result if the information indicated by the icon is ignored and the product is used incorrectly as a result.

<span>警告</span>	This icon indicates that death or serious injury can result if the information is ignored.
<span>注意</span>	This icon indicates that personal injury or material damage can result if the information is ignored.

The icons shown below are used to indicate the nature of the instructions which are to be observed.	
<span>重要</span>	Triangular icons tell you that this information requires attention ("Important").
<span>禁止</span>	Circular icons with a diagonal bar tell you that the action indicated is prohibited ("Prohibited").
<span>強制</span>	Filled circles with an exclamation mark indicate an action that must be performed ("Required").

<span>警告</span>	<b>WARNING</b>
<span>禁止</span>	<b>Do not view the sun through the lens or camera viewfinders.</b> Failure to observe this precaution can cause permanent visual impairment.
<span>禁止</span>	<b>Do not disassemble (do not open the case).</b> Failure to observe this precaution can cause fire, electric shock, or injury due to product malfunction.
<span>禁止</span>	<b>Do not immerse in or expose to water.</b> Failure to observe this precaution can cause a fire or electric shock.
<span>禁止</span>	<b>Should the case break open as the result of a fall or other accident, do not touch the exposed parts.</b> Failure to observe this precaution could result in electric shock or injury from touching the damaged parts. Remove the camera battery immediately, taking care to avoid injury or electric shock, and take the product to the point of purchase for consultation.
<span>禁止</span>	<b>Do not place on unstable surfaces.</b> The product may fall, causing injury.

<span>注意</span>	<b>CAUTION</b>
<span>禁止</span>	<b>Do not use or store in locations that are exposed to oil fumes, steam, high humidity, or dust.</b> Failure to observe this precaution can cause fire or electric shock.
<span>禁止</span>	<b>Do not leave in direct sunlight or in locations subject to very high temperatures, such as in a closed vehicle on a sunny day.</b> Failure to observe this precaution can cause fire.
<span>強制</span>	<b>Keep out of the reach of small children.</b> This product could cause injury in the hands of a child.
<span>注意</span>	<b>When the product is not in use, replace the lens caps and store out of direct sunlight.</b> Sunlight focused by the lens can cause fire or burns.
<span>禁止</span>	<b>Do not handle with wet hands.</b> Failure to observe this precaution can cause electric shock.
<span>注意</span>	<b>Cease use if the lens is damaged.</b> Broken edges could cause injury.
<span>禁止</span>	<b>Do not carry the camera or lens while they are attached to a tripod.</b> The product can fall or strike other objects, causing injury.
<span>注意</span>	<b>Keep the sun out of the frame when shooting backlit subjects.</b> Sunlight focused into the camera when the sun is in or close to the frame can cause fire or burns.

## Preparing the Teleconverter for Use

To fully utilize the capabilities of the teleconverter, upgrade both the camera and lens firmware to versions that support the teleconverter. When upgrading them, upgrade the firmware of the camera first. Instructions on viewing the camera firmware version and updating camera firmware are available from the following website:  
[http://www.fujifilm.com/support/digital\\_cameras/software/#firmware](http://www.fujifilm.com/support/digital_cameras/software/#firmware)  
If you do not have access to a computer, support is available from the local distributor listed in the "FUJIFILM Worldwide Network" material provided with your camera.

## Compatible Lenses

This teleconverter can only be attached to particular lenses. For the latest information, check the following website:  
[http://www.fujifilm.com/products/digital\\_cameras/x/fujinon\\_lens\\_xf14x\\_tc\\_wr/](http://www.fujifilm.com/products/digital_cameras/x/fujinon_lens_xf14x_tc_wr/)

- Do not attach to incompatible lenses. Doing so may damage the lens or camera, or degrade the performance.

## About Lens Brightness

- The f-number increases by one stop (image darkens).
- A discrepancy occurs between the f-number on the aperture ring of the lens and the actual f-number, but the correct f-number is displayed on the camera.

## Attaching

- 1 Turn off the camera.
  - 2 Align the mounting index on the teleconverter with the one on the lens and rotate the teleconverter in the direction of the arrow until it clicks to attach it to the lens. (Fig.A)
  - 3 Align the mounting index on the teleconverter with the one on the camera and rotate the lens and teleconverter in the direction of the arrow until they click to attach them to the camera. (Fig.B)
- Be careful not to press the lens removal lever on the teleconverter.

## Removing

- 1 Turn off the camera.
- 2 While holding down the lens attachment/removal button on the camera, rotate the teleconverter and lens in the direction of the arrow to remove them. (Fig.C)
- 3 While holding down the lens removal lever on the teleconverter, rotate the lens in the direction of the arrow to remove it. (Fig.D)

## Product Care

- Keep the lens signal contacts clean.
- Use a blower to remove dust and lint from the glass surfaces of the lens or filter. To remove smudges and fingerprints, apply a small amount of lens cleaner to a soft, clean cotton cloth or lens-cleaning tissue and clean from the center outwards using a circular motion, taking care not to leave smears or touch the glass with your fingers.
- Never use organic solvents such as paint thinner or benzene to clean the lens.
- Attach the front and rear caps when the teleconverter is not in use.
- Store the teleconverter in cool, dry locations to prevent mold and rust. Do not store in direct sunlight or with naphtha or camphor moth balls.
- Keep the lens dry. Rusting can cause irreparable damage. Wipe off rain and water droplets.
- Leaving the lens in extremely hot locations could cause damage or warping.

## Specifications

### XF1.4X TC WR

Lens construction	: 7 elements in 3 groups
External dimensions	: ø 58.0 mm (2.2 in.) × 15.0 mm (0.5 in.) (distance from camera lens mount flange)
Weight	: Approx. 130 g (4.5 oz.) (excluding caps)
Supplied accessories	: Front lens cap, Rear lens cap, Lens pouch

## For Customers in the U. S. A.

### Tested To Comply With FCC Standards FOR HOME OR OFFICE USE

**FCC Statement:** This device complies with Part 15 of the FCC Rules. Operation is subject to the following two conditions: (1) This device may not cause harmful interference, and (2) this device must accept any interference received, including interference that may cause undesired operation.

**CAUTION:** This equipment has been tested and found to comply with the limits for a Class B digital device, pursuant to Part 15 of the FCC Rules. These limits are designed to provide reasonable protection against harmful interference in a residential installation. This equipment generates, uses, and can radiate radio frequency energy and, if not installed and used in accordance with the instructions, may cause harmful interference to radio communications. However, there is no guarantee that interference will not occur in a particular installation. If this equipment does cause harmful interference to radio or television reception, which can be determined by turning the equipment off and on, the user is encouraged to try to correct the interference by one or more of the following measures:

- Reorient or relocate the receiving antenna.
- Increase the separation between the equipment and receiver.
- Connect the equipment into an outlet on a circuit different from that to which the receiver is connected.
- Consult the dealer or an experienced radio/TV technician for help.

You are cautioned that any changes or modifications not expressly approved in this manual could void the user's authority to operate the equipment.

**Notes on the Grant:** To comply with Part 15 of the FCC Rules, this product must be used with a Fujifilm-specified ferrite-core A/V cable, USB cable, and DC supply cord.

## For Customers in Canada

### CAN ICES-3 (B)/NMB-3(B)

**CAUTION:** This Class B digital apparatus complies with Canadian ICES-003.

### IMPORTANT SAFETY INSTRUCTIONS


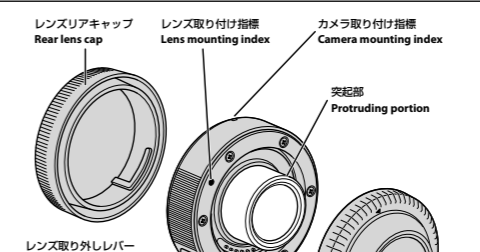
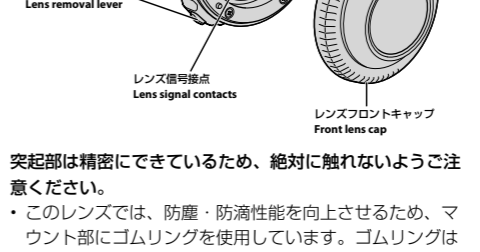
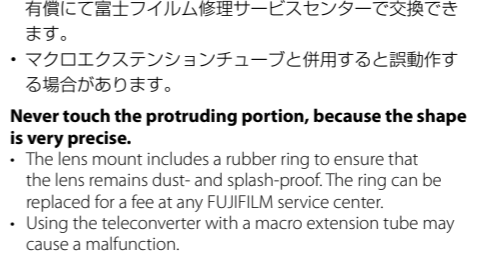
- Read these instructions.
- Keep these instructions.
- Heed all warnings.
- Follow all instructions.
- Do not use this apparatus near water (excluding waterproof products).
- Clean only with a dry cloth.
- Do not block any ventilation openings. Install in accordance with the manufacturer's instructions.
- Do not install near any heat sources such as radiators, heat registers, stoves, or other apparatus (including amplifiers) that produce heat.
- Protect the power cord from being walked on or pinched particularly at plugs, convenience receptacles, and the point where they exit from the apparatus.
- Only use attachments/accessories specified by the manufacturer.
- Unplug this apparatus during lightning storms or when unused for long periods of time.
- Refer all servicing to qualified service personal. Servicing is required when the apparatus has been damaged in any way, such as power supply cord or plug is damaged, liquid has been spilled or objects have fallen into the apparatus, the apparatus has been exposed to rain or moisture, does not operate normally, or has been dropped.

## Disposal of Electrical and Electronic Equipment in Private Households

**In the European Union, Norway, Iceland and Liechtenstein:** This symbol on the product, or in the manual and in the warranty, and/or on its packaging indicates that this product shall not be treated as household waste. Instead it should be taken to an applicable collection point for the recycling of electrical and electronic equipment.


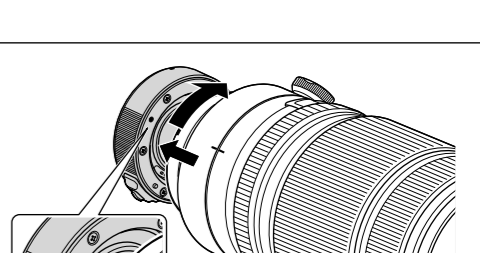
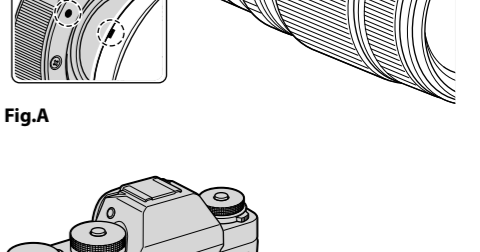
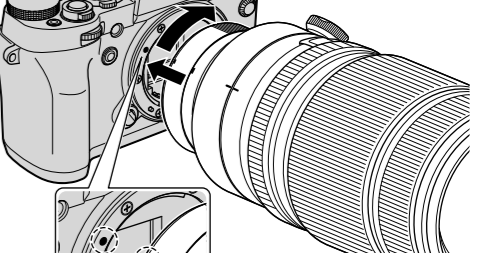
By ensuring this product is disposed of correctly, you will help prevent potential negative consequences to the environment and human health, which could otherwise be caused by inappropriate waste handling of this product.

The recycling of materials will help to conserve natural resources. For more detailed information about recycling this product, please contact your local city office, your household waste disposal service or the shop where you purchased the product.

	
	
<p><b>突起部は精密にできているため、絶対に触れないようご注意ください。</b></p> <ul style="list-style-type: none"><li>• このレンズでは、防塵・防滴性能を向上させるため、マウント部にゴムリングを使用しています。ゴムリングは有償にて富士フィルム修理サービスセンターで交換できます。</li><li>• マクロエクステンションチューブと併用すると誤動作する場合があります。</li></ul>	
<p><b>Never touch the protruding portion, because the shape is very precise.</b></p> <ul style="list-style-type: none"><li>• The lens mount includes a rubber ring to ensure that the lens remains dust- and splash-proof. The ring can be replaced for a fee at any FUJIFILM service center.</li><li>• Using the teleconverter with a macro extension tube may cause a malfunction.</li></ul>	

**In Countries Outside the European Union, Norway, Iceland and Liechtenstein:** If you wish to discard this product, including the batteries or accumulators, please contact your local authorities and ask for the correct way of disposal.

### Australian RCM

	
	
<p><b>突起部は精密にできているため、絶対に触れないようご注意ください。</b></p> <ul style="list-style-type: none"><li>• このレンズでは、防塵・防滴性能を向上させるため、マウント部にゴムリングを使用しています。ゴムリングは有償にて富士フィルム修理サービスセンターで交換できます。</li><li>• マクロエクステンションチューブと併用すると誤動作する場合があります。</li></ul>	
<p><b>Never touch the protruding portion, because the shape is very precise.</b></p> <ul style="list-style-type: none"><li>• The lens mount includes a rubber ring to ensure that the lens remains dust- and splash-proof. The ring can be replaced for a fee at any FUJIFILM service center.</li><li>• Using the teleconverter with a macro extension tube may cause a malfunction.</li></ul>	

