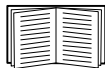
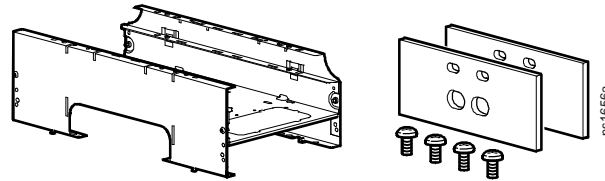
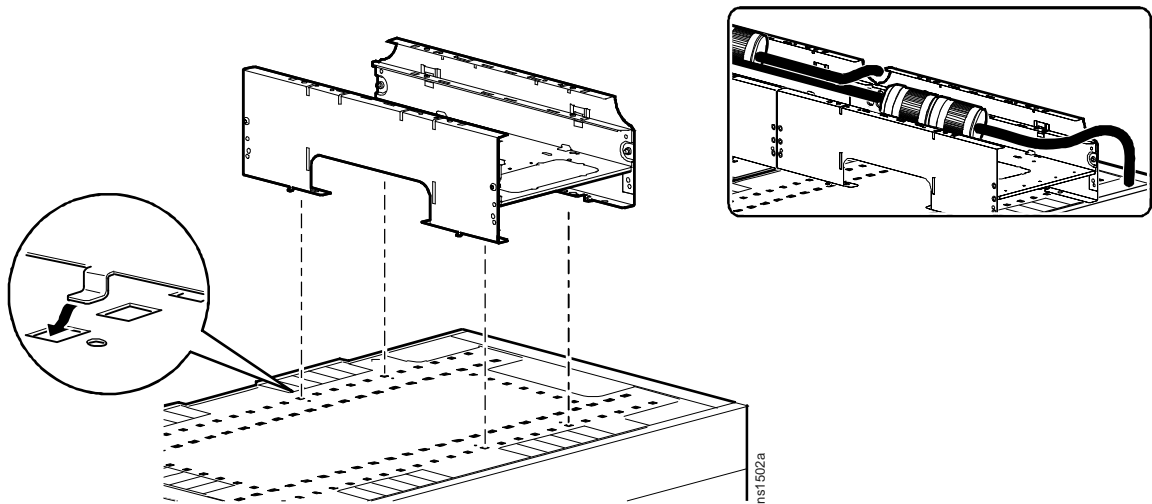


Trough (AR8561/AR8571) for the NetShelter[®] 600-mm or 750-mm Wide Enclosure—Installation Instructions

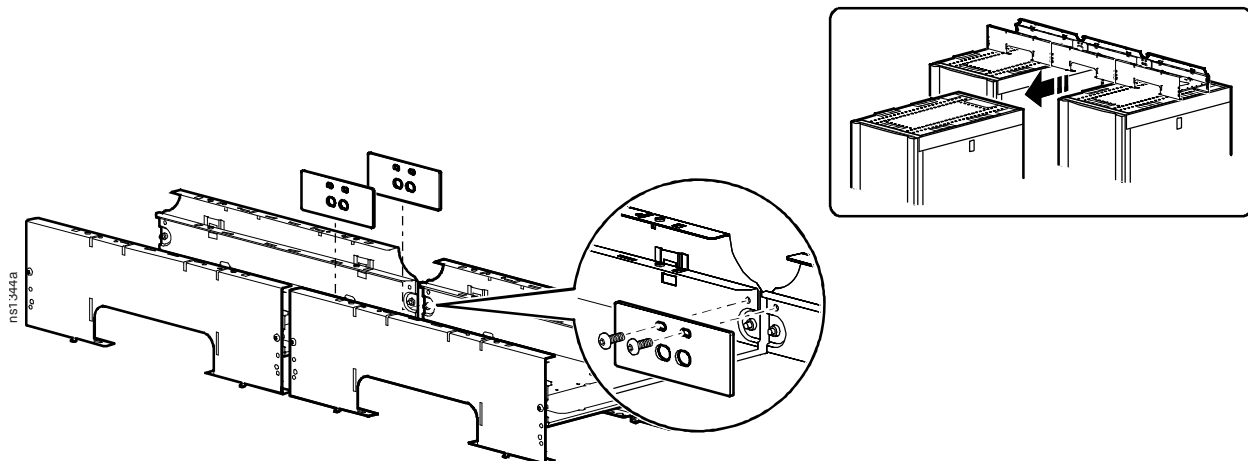


For additional information, see the product page on the APC Web site, www.apc.com.

1

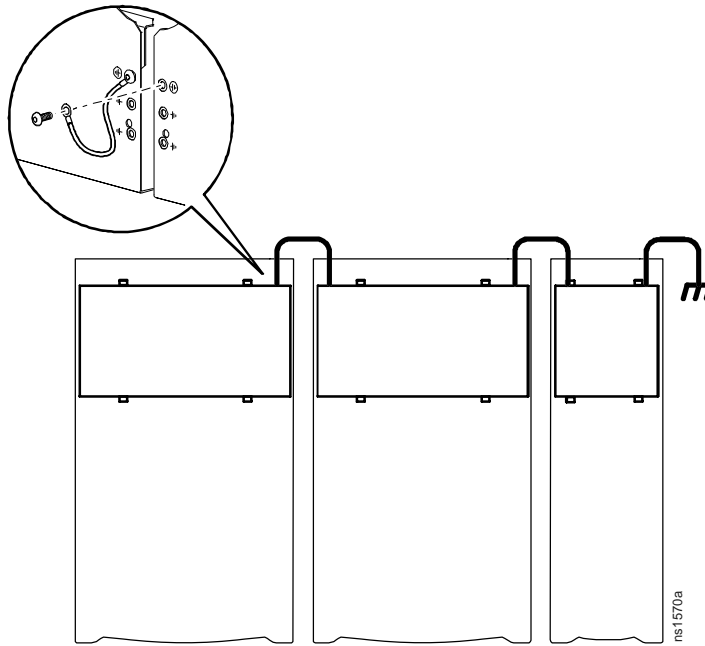


2 (Optional)



3

Equipment suitable for circuits protected by an over-current device rated at 100 A maximum.
Torque hardware to 8.7 to 9.4 N-m (77 to 83 in-lb).



Customer support and warranty information is available at the APC Web site, www.apc.com.

© 2010 APC by Schneider Electric. APC, the APC logo, and NetShelter are owned by Schneider Electric Industries S.A.S., American Power Conversion Corporation, or their affiliated companies. All other trademarks are property of their respective owners.

990-3352A
4/2010