

## AXIS T90C Fixed Dome IR-LED

Vandal-resistant illuminators for outdoor environments.



- > High-intensity LEDs
- > Easy to install
- > Long life
- > Low power consumption
- > Outdoor ready

AXIS T90C Fixed Dome IR-LED is an infra-red, vandal-resistant illuminator tailor-made for outdoor versions of AXIS P33 Network Cameras. Providing fixed angle illumination, the illuminator enables the camera to deliver high quality images in complete darkness.

The IR illuminator is available in two models: AXIS T90C10 Fixed Dome IR-LED, which can be powered by 18–56 V DC and AXIS T90C20 Fixed Dome IR-LED, which can be powered by PoE (802.3af compliant). Each variant features a built-in photocell and, depending on the model, is supplied with a pre-mounted 5m power cable or 5m network cable.

Using the latest technology, the new IR illuminator offers long life performance, low power consumption at less than 13 W, and requires no maintenance.

The IR illuminator features eight high-power LED's, which provide a wide angle light beam, giving the fixed dome camera a viewing range of 20–30 m (67–98 ft.) depending on environment and installation.

As well as being vandal-resistant, AXIS T90C IR-LED illuminators are also IP66 and NEMA 4X rated, allowing them to be operated in severe outdoor conditions and extreme temperatures.



## Technical specifications – AXIS T90C Fixed Dome IR-LED

### AXIS T90C10 IR illuminator

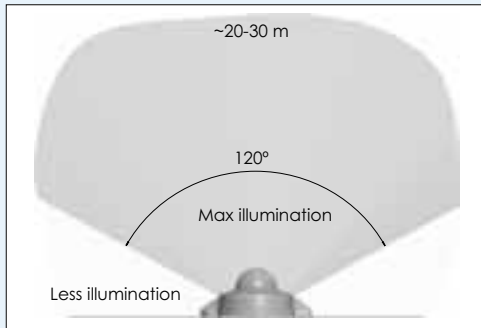
<b>Model</b>	AXIS T90C10 Fixed Dome IR-LED
<b>Power</b>	18–56 V DC input Consumption: 13 W
<b>Type</b>	850 nm semi-covert
<b>Casing</b>	IP66- and NEMA 4X-rated, vandal-resistant aluminum casing Color: white NCS S 1002-B
<b>Maximum illumination angle</b>	Angle of beam: 180° Primary beam (max. effect): 120° * see illustration below
<b>Maximum illumination distance</b>	20–30 m (67–98 ft.) depending on environment and installation
<b>Control</b>	Controlled by an adjustable visible light sensor
<b>Operating conditions</b>	-40 °C to +55 °C (-40 °F to 131 °F)
<b>Approvals</b>	EN 55022 Class B, EN 55024, FCC Part 15 Subpart B Class B, ICES-003 Class B, VCCI Class B, C-tick AS/NZS CISPR 22, EN 60950-1, EN 60950-22, conforming to UL 60950-1 and UL 60950-22
<b>Accessories included</b>	Pre-mounted 5 m power cable
<b>Dimensions</b>	130 x 256 x 47 mm (5.1" x 11" x 1.8")
<b>Weight</b>	0.7 kg (1.5 lb.)
<b>Optional accessories</b>	AXIS T90C10 Mains adaptor

### AXIS T90C20 IR illuminator

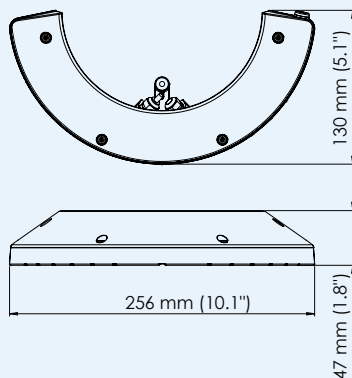
<b>Model</b>	AXIS T90C20 Fixed Dome IR-LED
<b>Power</b>	Power over Ethernet (IEEE 802.3af)
<b>Type</b>	850 nm semi-covert
<b>Casing</b>	IP66- and NEMA 4X-rated, vandal-resistant aluminum casing Color: white NCS S 1002-B
<b>Maximum illumination angle</b>	Angle of beam: 180° Primary beam (max. effect): 120° * see illustration below
<b>Maximum illumination distance</b>	20–30 m (67–98 ft.) depending on environment and installation
<b>Control</b>	Controlled by an adjustable visible light sensor
<b>Operating conditions</b>	-40 °C to +55 °C (-40 °F to 131 °F)
<b>Approvals</b>	EN 55022 Class B, EN 55024, FCC Part 15 Subpart B Class B, ICES-003 Class B, VCCI Class B, C-tick AS/NZS CISPR 22, EN 60950-1, EN 60950-22, conforming to UL 60950-1 and UL 60950-22
<b>Accessories included</b>	Pre-mounted 5 m network cable
<b>Dimensions</b>	130 x 256 x 47 mm (5.1" x 11" x 1.8")
<b>Weight</b>	0.7 kg (1.5 lb.)

More information is available at [www.axis.com](http://www.axis.com)

### AXIS T90C: Maximum illumination angle



### Dimensions



### AXIS T90C Fixed Dome IR-LED and outdoor version of AXIS P33 Series

