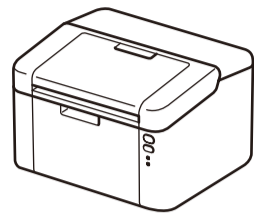


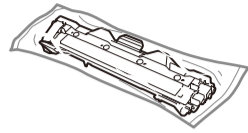
## Unpack the machine and check the components



Watch our FAQ Videos for help with setting up your Brother machine:  
[solutions.brother.com/videos](http://solutions.brother.com/videos).



Inbox/Starter Toner Cartridge



A5 Long Edge Paper Input Support



CD-ROM

Read the Product Safety Guide first, then read this Quick Setup Guide for the correct installation procedure.

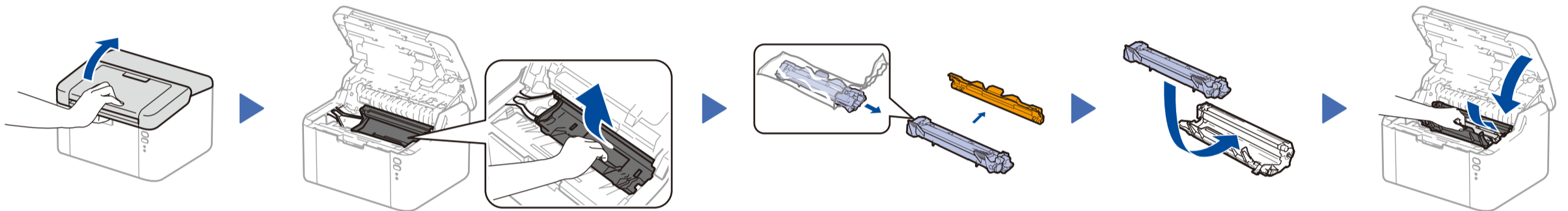
**NOTE:**

- The components included in the box and the AC power plug may differ depending on your country.
- The available connection interfaces vary depending on the model.
- The illustrations in this Quick Setup Guide are based on the HL-1210W or HL-1212W.
- You must purchase the correct interface cable for the interface you want to use.

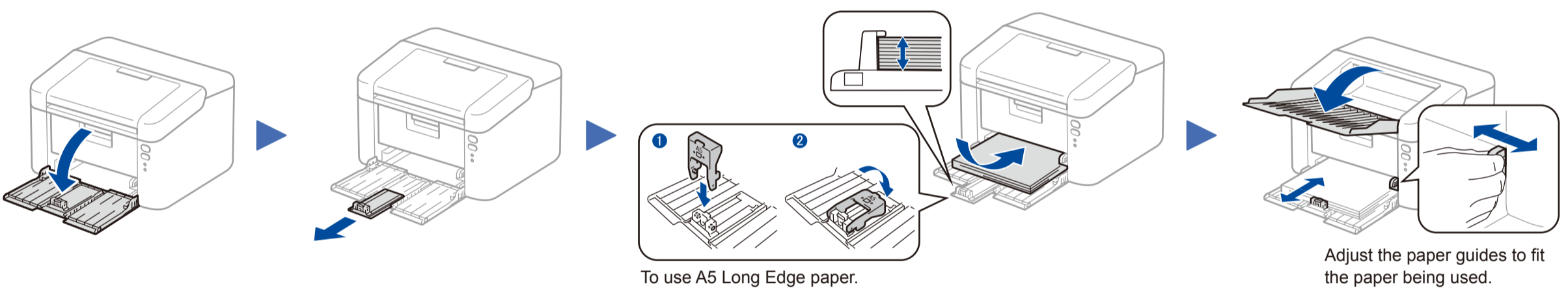
**USB cable**

We recommend using a USB 2.0 cable (Type A/B) that is no more than 2 metres (6 feet) long.

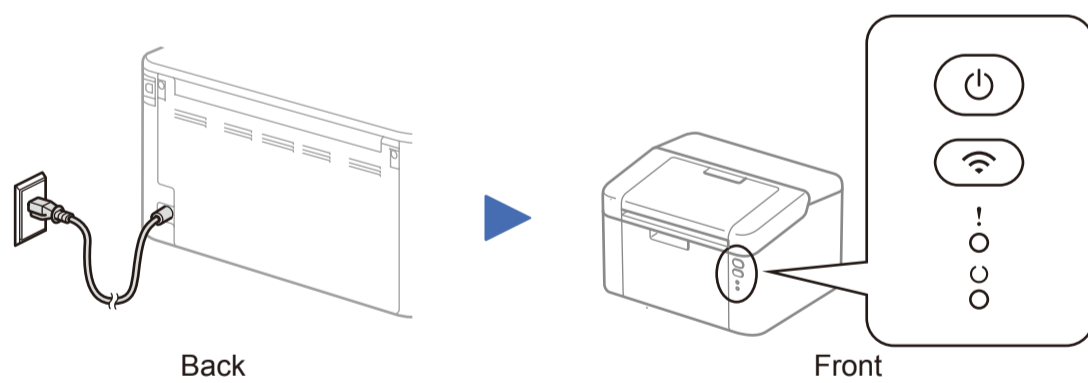
### 1 Remove the packing materials and install the toner cartridge



### 2 Load paper in the paper tray



### 3 Connect the power cord and turn on the machine



#### Printer LED Indications

Blinking: ☀ or 🌱 ON: ● OFF: ○

	POWER OFF	READY	SLEEP DEEP SLEEP	WARMING UP COOLING DOWN	RECEIVING DATA DATA REMAINING	TONER LOW	REPLACE TONER	PAPER JAM	DRUM END SOON REPLACE DRUM
!	○	○	○	○	○	☀	☀	☀☀	☀☀☀
⏻	○	●	●	🌱	🌱	●	○	○	●
			Dimmed	1 second interval	0.5 second interval				

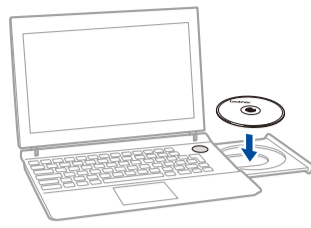
### 4 Connect the machine to your computer/mobile device

- Windows® PC with a CD-ROM drive, go to step **4A**
- Windows® PC without a CD-ROM drive, go to step **4B**
- Macintosh, go to step **4B**
- Mobile device users with a WPS/AOSS™-supported access point/router, go to step **4C**



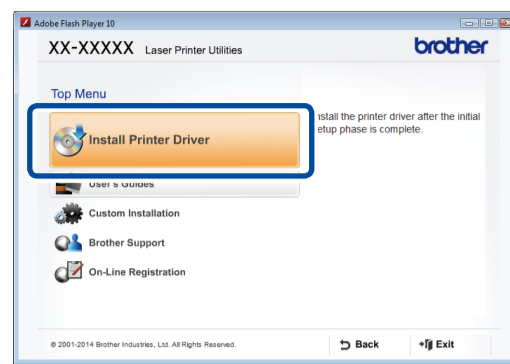


## Configuration using the CD-ROM (Windows®)



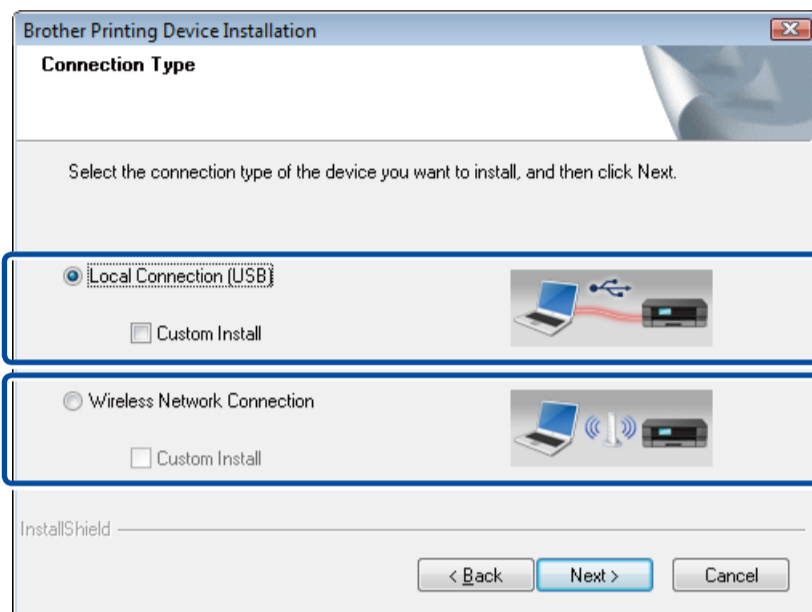
### NOTE:

If the Brother screen does not appear automatically, go to **Computer (My Computer)**.  
(For Windows® 8: click the (File Explorer) icon on the taskbar, and then go to **Computer**.)  
Double-click the CD-ROM icon, and then double-click **start.exe**.



Follow the on-screen instructions until the **Connection Type** screen appears.

### Connection Type



For USB Connection

For Wireless Network Connection  
We recommend preparing a USB cable to use temporarily during the wireless setup.

Follow the on-screen instructions to continue installation.

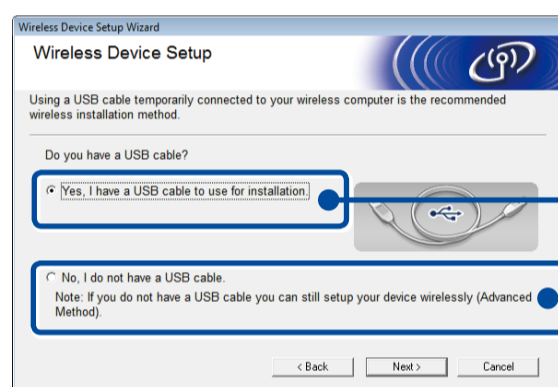
**Finish**

### NOTE:

If connection is unsuccessful, repeat this step.



## Wireless Network Connection



### [Recommended]

Select this option if you have a USB cable to use temporarily for wireless setup.

Select this option if you do not have a USB cable.

Follow the on-screen instructions to continue installation.

**Finish**

### NOTE:

If connection is unsuccessful, repeat this step.



## Configuration without using the CD-ROM (Windows® without CD-ROM drive or Macintosh)

Download the full driver and software package from the Brother Solutions Center.

(For Windows®) [solutions.brother.com/windows](http://solutions.brother.com/windows)

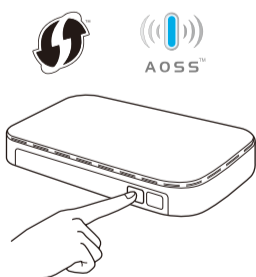
(For Macintosh) [solutions.brother.com/mac](http://solutions.brother.com/mac)

After you download the driver and software package, follow the on-screen instructions until the **Connection Type** screen appears. Refer to **4A Configuration using the CD-ROM (Windows®)**.

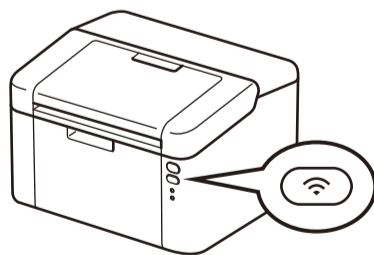


## One-push wireless setup for mobile devices (Wireless models only)

If your wireless LAN access point/router supports automatic wireless (one-push) setup (WPS/AOSS™), you can set up your machine without using a computer.



Press the WPS or AOSS™ button on your wireless LAN access point/router.



Press and hold the WiFi button on your machine for about 2 seconds. The WiFi button will light up when connected.

Wireless setup is now complete.

### NOTE:

Before you can use your machine with your mobile device, download "Brother iPrint&Scan."



## Print using your mobile device

Download "Brother iPrint&Scan" to start using your machine with mobile devices.



[solutions.brother.com/ips](http://solutions.brother.com/ips)