

# Owner's Manual Havis Tablet Docking Stations and Tablet Cases

## DS-TAB-100 Series

DS-TAB-101

DS-TAB-102

DS-TAB-104



## TC-100 Series

TC-101

TC-102

TC-104

TC-105

TC-107

TC-108

TC-109

TC-110



DS-TAB-100^TC-100-SERIES\_OMN\_08-20

# Before Beginning

Havis is pleased to provide this Owner's Manual to aid in the proper installation and use of the DS-TAB-100 Series Docking Stations and TC-100 Series Tablet Cases.

For questions regarding the set-up of your DS-TAB-100 Series Docking Station or TC-100 Series Tablet Case, please contact Havis at 1-800-524-9900 or visit [www.havis.com](http://www.havis.com) for additional product support and information.

## **⚠️ WARNING**

- NEVER STOW OR MOUNT THE DOCKING STATION DIRECTLY IN A VEHICLE AIRBAG DEPLOYMENT ZONE.
- DO NOT USE TABLET WHILE DRIVING.

## **⚠️ CAUTION**

- READ ALL INSTRUCTIONS THOROUGHLY BEFORE BEGINNING INSTALLATION.
- DO NOT STORE, INSTALL, OR OPERATE THE DOCKING STATION WHERE WATER, MOISTURE, STEAM, DUST, ETC. ARE PRESENT

## **NOTICE**

- LITHIUM-ION BATTERIES TYPICALLY CHARGE BEST BETWEEN 5°C to 45°C (41°F to 113°F). PLEASE REFER TO YOUR TABLET MANUFACTURER OWNER'S MANUAL FOR DETAILS.

# Product Compatibility

| Tablet   | TC-100 Tablet Case | DS-TAB-101 Docking Station<br>(Charge Only) | DS-TAB-102 Docking Station<br>(USB-C Charge & Data) |
|--|--------------------|---|---|
| Apple iPad Pro 10.5-inch (1 <sup>st</sup> Gen)<br>Apple iPad Air (3 <sup>rd</sup> Gen) | TC-101*            | PKG-TAB-APP1                                | N/A   |
| Samsung Galaxy Tab S3  | TC-102             | PKG-TAB-SAM6                                | PKG-TAB-SAM1  |
| Samsung Galaxy Tab Active 2  | TC-104             | PKG-TAB-SAM4                                | PKG-TAB-SAM3  |
| Samsung Galaxy Tab S4  | TC-105             | PKG-TAB-SAM7                                | PKG-TAB-SAM8  |
| Apple iPad (7 <sup>th</sup> Gen)   | TC-107*            | PKG-TAB-APP6                                | N/A   |
| Samsung Galaxy Tab Active Pro  | TC-108             | PKG-TAB-SAM9                                | PKG-TAB-SAM10                                       |
| Apple iPad Pro 12.9-inch<br>(3 <sup>rd</sup> and 4 <sup>TH</sup> Gen)                  | TC-109             | PKG-TAB-APP8                                | PKG-TAB-APP9  |
| Apple iPad Pro 11-inch<br>(1 <sup>st</sup> & 2 <sup>nd</sup> Gen)                      | TC-110             | PKG-TAB-APP11                               | PKG-TAB-APP12                                       |

\* Apple Pencil is not compatible due to pairing requirements. The Apple Pencil 1st Generation requires direct access to the Lighting Connector on the iPad and will not pair via Bluetooth Connection.

# Specifications

## DS-TAB-100 Series

*(TC-100 Series Specifications vary by model and are supplied with Tablet Case)*

|                              |   |
|------------------------------|---|
| <b>Power Supply Input</b>    | 12V Nominal (10-17 VDC Input)   |
| <b>Dimensions</b>            | 9.01" (22.89 cm) H x 6.00" (15.24 cm) W x 1.40" (3.56 cm) D   |
| <b>Weight</b>                | 0.77 lbs. (0.35 kg)   |
| <b>Operating Environment</b> | Please refer to your Tablet Manufacturer Owner's Manual for operating range.  |
| <b>Storage Environment</b>   | -20° C to 85° C (-4° F to 185° F)<br>Havis Product Only, please refer to your Tablet Manufacturer Owner's Manual for storage range. |

## Precautions

- If a malfunction occurs, immediately unplug the Power Supply and remove the tablet
- Use only the specified Power Cable with this Docking Station
- Do not connect cables into ports other than what they are specified for
- Do not leave the Docking Station in a high temperature environment (greater than 85°C, 185°F) for a long period of time
- Do not dock Tablet Case if Docking Connector Pins are bent or damaged

### EC DECLARATION OF CONFORMITY in accordance with EN 50498

**Manufacturers Name:** Havis, Inc.

**Manufacturers Address:** 75 Jacksonville Road, Warminster, PA 18974 USA

**Declares under our sole responsibility that the product:**

**Product name:** Havis Docking Station For X Tablets, where 'X' denotes tablets listed in product compatibility matrix.

**Model:** DS-TAB-10X, where 'X' may be any alphanumeric character and which describes product options.  
May be followed by any alphanumeric characters which describe product options.

**Product Options:** This declaration covers all options of the above product which bear the CE Marking.

**Is in conformity with the following standards or other normative documents:**

Automotive EMC Directive EN 50498:2010, Electromagnetic compatibility (EMC) -  
2004/108/EC: Product family standard for aftermarket electronic equipment in vehicles  
Directive 2011/65/EU Restriction of the use of certain hazardous substances (RoHS)

**Supplementary Information:**

The product herewith complies with the requirements of the Automotive EMC Directive 2004/108/EC, Annex I, 6.5, 6.6, 6.8, and 6.9. This product requires the use of a recommended e-Marked automotive power supply when used within vehicles.

Warminster, PA, USA

September 20, 2018

Bruce Jonik, Director of Engineering , Havis, Inc.

**FCC 47CFR, Part 15 compliance:** This is an FCC Class B device. Any changes or modifications to the model DS-TAB-10X not expressly approved by Havis, Inc. could void the user's authority to operate this equipment.

# Parts Included (DS-TAB-100 Series)

## Docking Station

Release Handle

Alignment Posts

Latch Hook

LED Power Indicator

Front Hooks

Ports

Barrel Lock

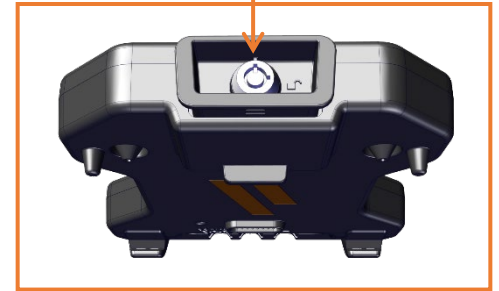
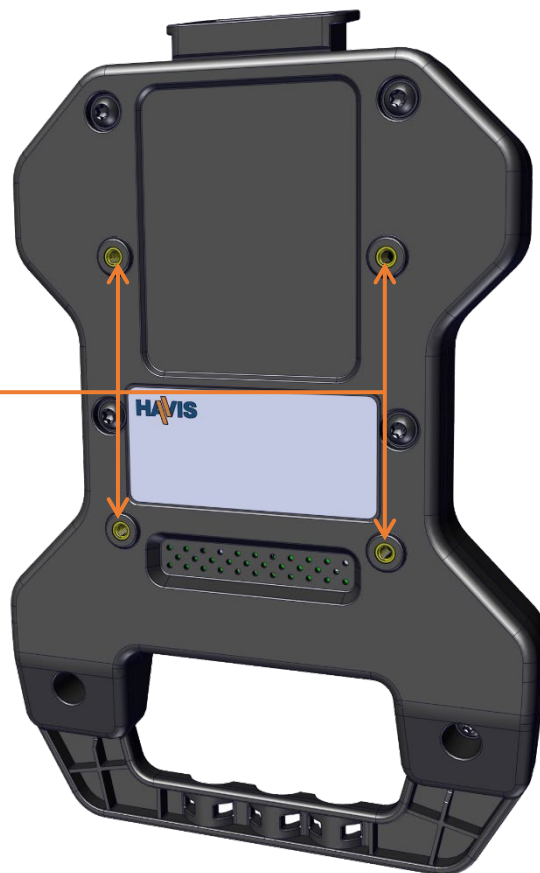
Docking Connector

Strain Relief and  
Cable Routing Channels

Mounting Holes (x4)

(VESA 75mm Hole Pattern)

Power Cable  
(DS-DA-325)



## Parts Included (DS-TAB-100 Series) (continued)

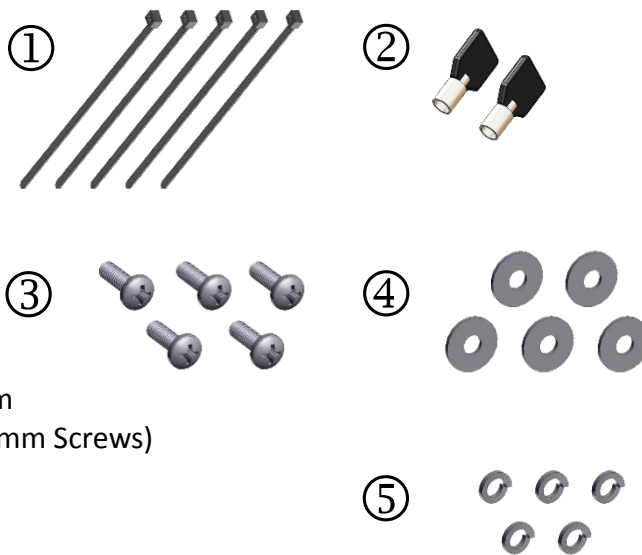
### Hardware Kit (HWK-0042)

This Hardware Kit includes:

1. Zip Ties (5)
2. Keys (2)
3. M4 x 0.7 x 12mm Long Screws (5)
4. Flat Washers, M4 (5)
5. Lock Washers, M4 (5)

Tools required for installation:

- #2 Phillips  
(For attaching Docking Station to VESA 75mm hole pattern equipment with M4 x 0.7 x 12mm Screws)



## Port Replication Capability (DS-TAB-100 Series)

### Downward Facing Ports



Power Input  
DC IN 12V  
⊖ ⊕

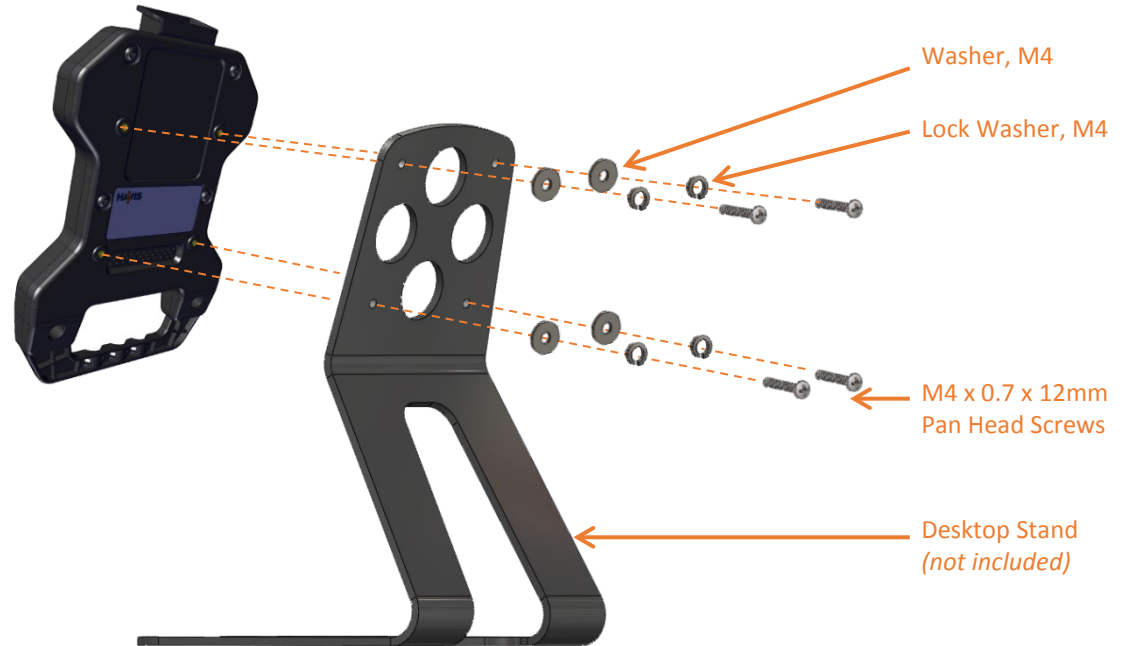
USB 2.0 (x2)  
USB

DS-TAB-101: Charge Only  
DS-TAB-102: Charge & Data

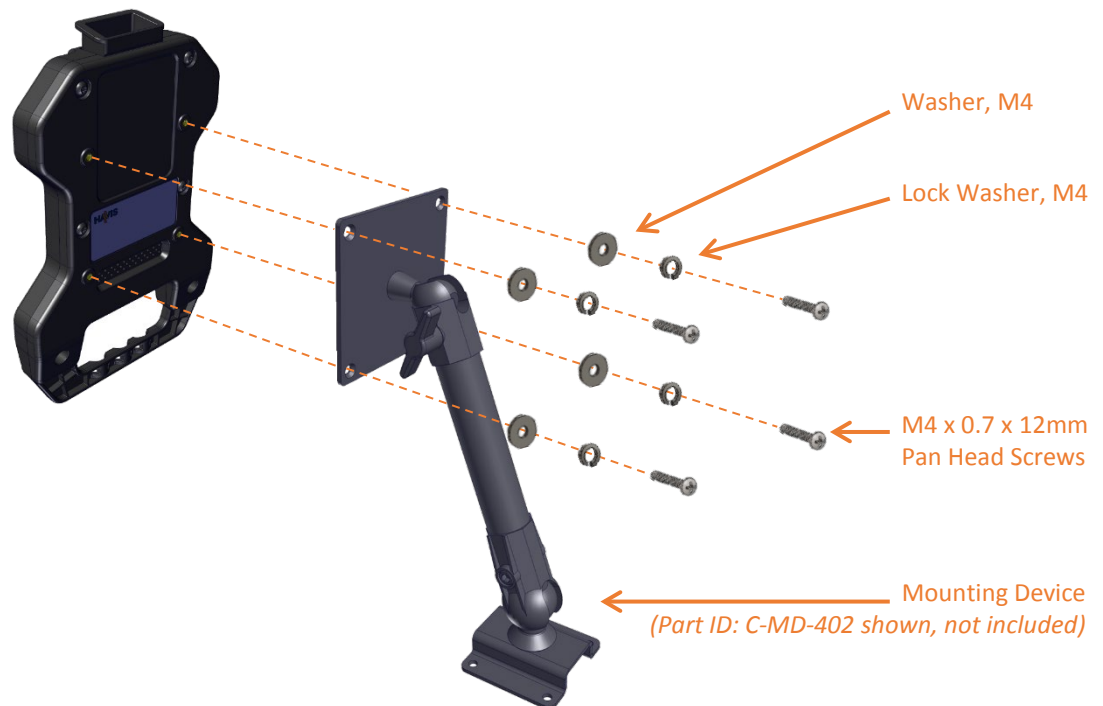
# Installation (DS-TAB-100 Series)

- 1) Align Docking Station mounting holes with the hole pattern on mounting device. Using the four (4) M4 0.7 x 12mm Pan Head Screws (Hardware Kit Item 3), four (4) Washers, M4 (Hardware Kit Item 4), and four (4) Lock Washers, M4 (Hardware Kit Item 5), secure the Docking Station to device. **Torque screws to 15 in-lbs (1.7Nm) ± 10%**

A) Havis Desktop Stand installation (sold separately, Part # DS-DA-218).

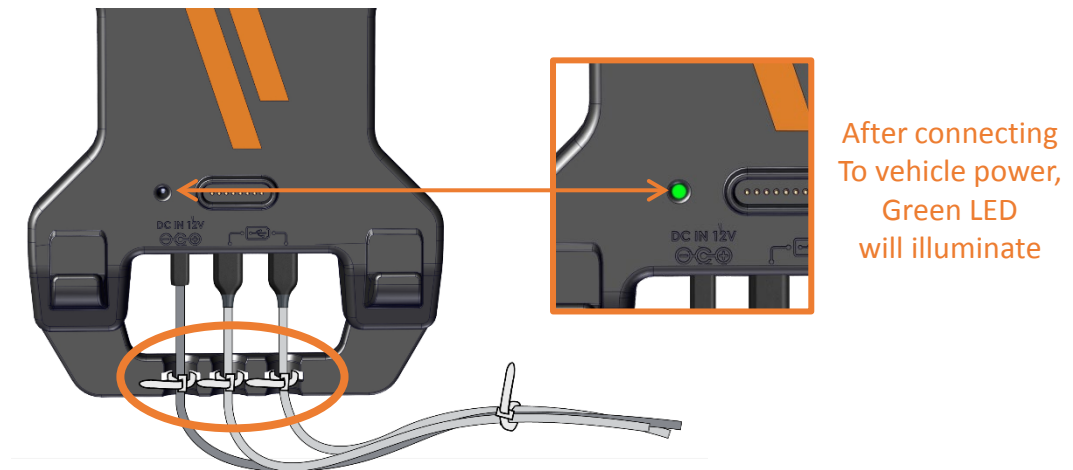


B) In-Vehicle mounting system installation (not included).



## Cable Management (*DS-TAB-100 Series*)

- 1) Tip the Docking Station to a position that is comfortable to work with.
- 2) Install all cables that are necessary for computing needs.
- 3) Use Zip Ties (Hardware Kit Item 1) and the Strain Relief Points to secure cables and reduce risk of accidental disconnects.



- 4) Create a service loop with cables to ensure that no tension is on the connectors and to enable intended motion.
- 5) Tie off cables onto a stationary part of the mounting system.

4

This loop must be large enough to allow full range of expected rotation and extension without stressing connections.

5

Collect cables to secure to the mounting system or vehicle.

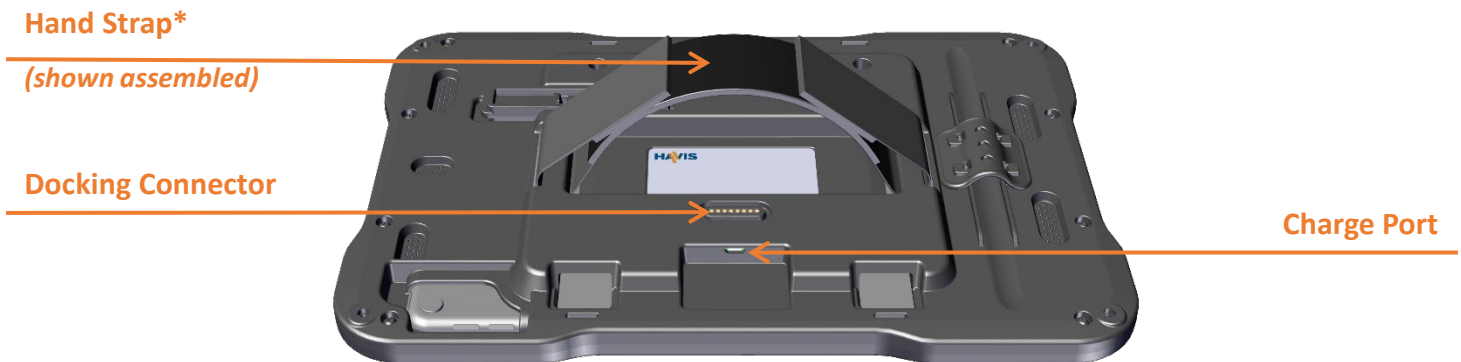
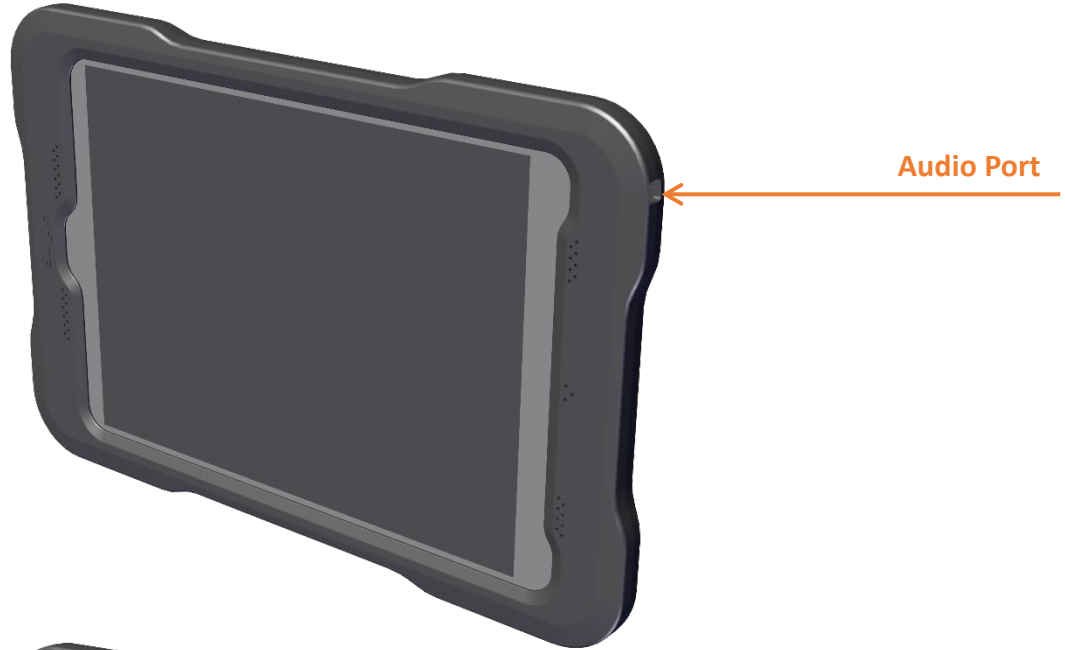
(Note: mounting system not included)





# Parts Included (TC-100 Series)

Tablet Case (Part ID TC-101 shown assembled with iPad 10.5")



\* Not included with all Tablet Case models



# Parts Included (TC-100 Series) (continued)

## Tablet Case

Front Tablet Case Assembly



Back Tablet Case Assembly



## Hardware Kit (HWK-0055)

This Hardware Kit includes:

1. M2.5 , 6mm long Washer Head Screws (12)
2. T8 Torx Bit, ¼" Hex Shank (1)

Tools required for installation:

- ¼" Driver for T8 Torx Bit  
(For attaching Back Piece to Front Piece with M2.5 Washer Head Screws)



## Additional Items:

Depending on Tablet Case Model, Tablet Case may include:

1. Power Cable (1)
2. Hand Strap (1)



## Installation (TC-100 Series)

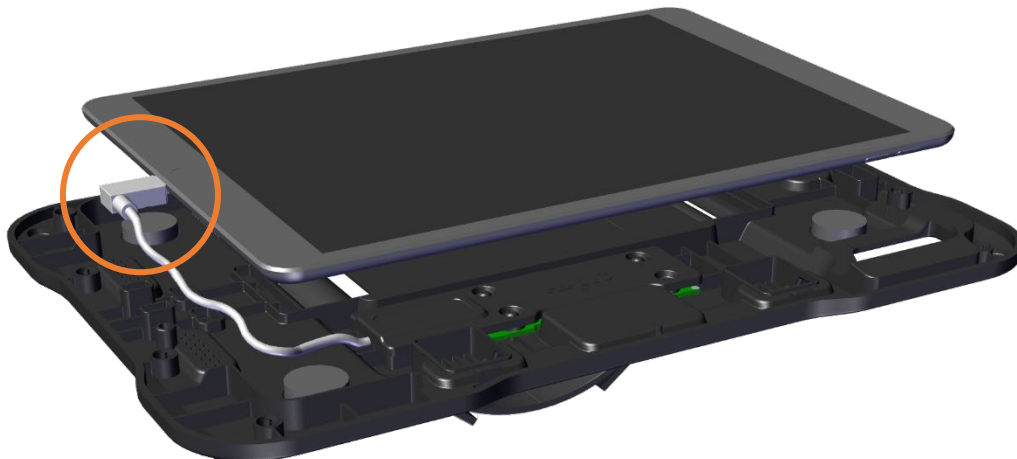
### NOTICE

IF A SCREEN PROTECTOR IS BEING USED ON TABLET (*NOT INCLUDED*),  
ASSEMBLE BEFORE BEGINNING TABLET CASE INSTALLATION.

- 1) Assemble hand strap by guiding each end through the slots on the Back Assembly of Tablet Case. Adjust loop size as desired and secure Velcro closures.



- 2) Insert the connector from the Back Assembly of the Tablet Case into your tablet (Apple iPad Pro 10.5" shown here).

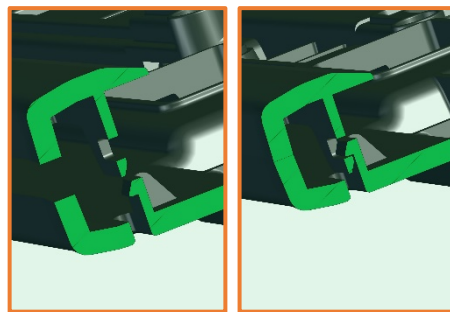
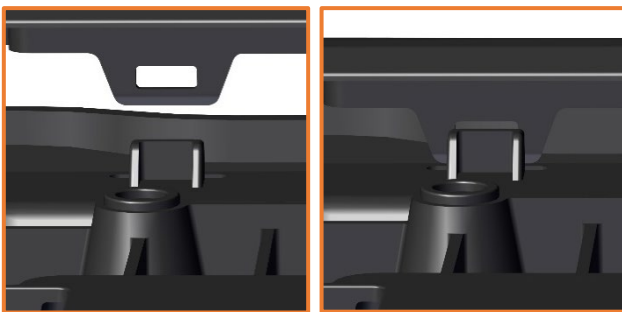


## Installation (TC-100 Series) (continued)

- 3) Place the tablet into the Back Assembly of the Tablet Case, ensuring the connector cable is routed properly, being careful not to pinch cable. *(Refer to Instructions included with your specific TC-100 Series Tablet Case)*



- 4) Place the Front Assembly of the Tablet Case on the Back Assembly. Ensure a proper fit by looking for gaps along the seam between the two pieces. Some models include snaps that interlock when the two Tablet Case pieces are pressed together. Ensure all snaps are properly interlocked before continuing. *(Refer to Instructions included with your specific TC-100 Series Tablet Case)*



Cross section view of Back piece snapping into Front piece

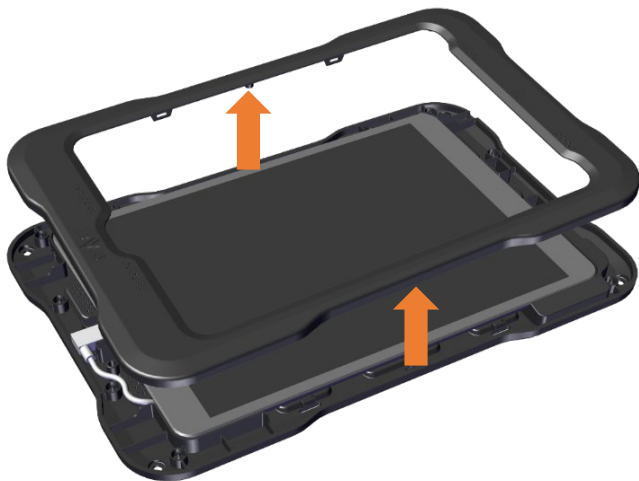
## Installation (TC-100 Series) (continued)

- 5) Holding the two Assemblies together, carefully turn the Tablet Case over. Insert all the necessary screws (Hardware Kit Item 1) and tighten with provided T8 Torx Bit (Hardware Kit Item 5). **Torque screws to 4 in-lbs (0.45Nm) ± 10%.**

**CAUTION: DO NOT OVERTIGHTEN SCREWS OR DAMAGE TO TABLET CASE MAY OCCUR.**



- 5) To remove your tablet from the Tablet Case remove all the screws then carefully turn the case over. If your Tablet Case includes interlocking snaps use your fingers to pry the Front Assembly up from the inside edge along the screen. Lift the Front Assembly off the Back Assembly, unplug the connector, and remove tablet.



## Tablet Case Features (*TC-100 Series*)

Some models of Tablet Cases include a Power Cable for charging your tablet when not docked. Plug into the Charge Port on the Bottom Assembly of Tablet Case. In the event your Table Case model does not include a Power Cable, the supplied cable from your tablet manufacturer can be used.



The Kickstand on some Tablet Case models allows landscape orientation use of your tablet on any flat surface. Fully extend the Kickstand on the Bottom Assembly of the Tablet Case just past 90-degrees. A light detent will hold open the Kickstand. To prevent damage, ensure the Kickstand is closed prior to docking the Tablet Case.



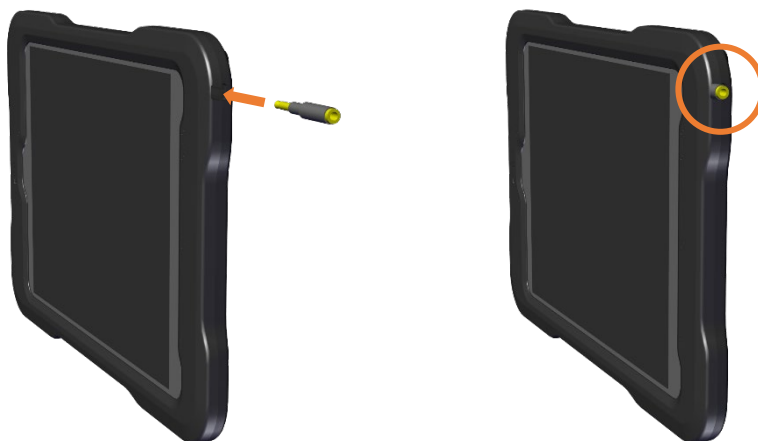
Two angles available in landscape orientation

## Tablet Case Features (TC-100 Series) (continued)

Stylus Holder on Bottom Assembly of some Tablet Case models will accommodate most stylus sizes. Slide your stylus into the channel and under the Stylus Holder.



Accessing your tablet's audio jack may require the use of the an Audio Jack Extender.



- 3) Optional Shoulder Strap (Part # DS-DA-107) can be attached using the Shoulder Strap Clips and Screws, included with Shoulder Strap. (Refer to Instructions included with DS-DA-107)



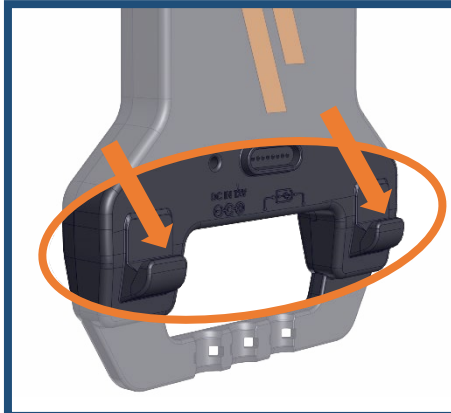


# Operation - Docking

## CAUTION

**DO NOT FORCE TABLET CASE INTO DOCKING STATION. IF THERE IS RESISTANCE, CHECK ALIGNMENT OF TABLET CASE ON DOCKING STATION.**

**NOTE: Ensure a proper connection by aligning the Tablet Case's Alignment Pockets with the Docking Station's Front Hooks**



Front Hooks on the DS-TAB-100 Series Docking Station



Alignment Sockets on the bottom piece of the TC-100 Series Tablet Case

- 1) Ensure the Docking Station is unlocked.



- 2) Hold Tablet in landscape orientation, with bottom angled toward Docking Station. Lower Tablet onto the Docking Station so the Alignment Pockets on the Tablet Case align with the Front Hooks on the Docking Station.

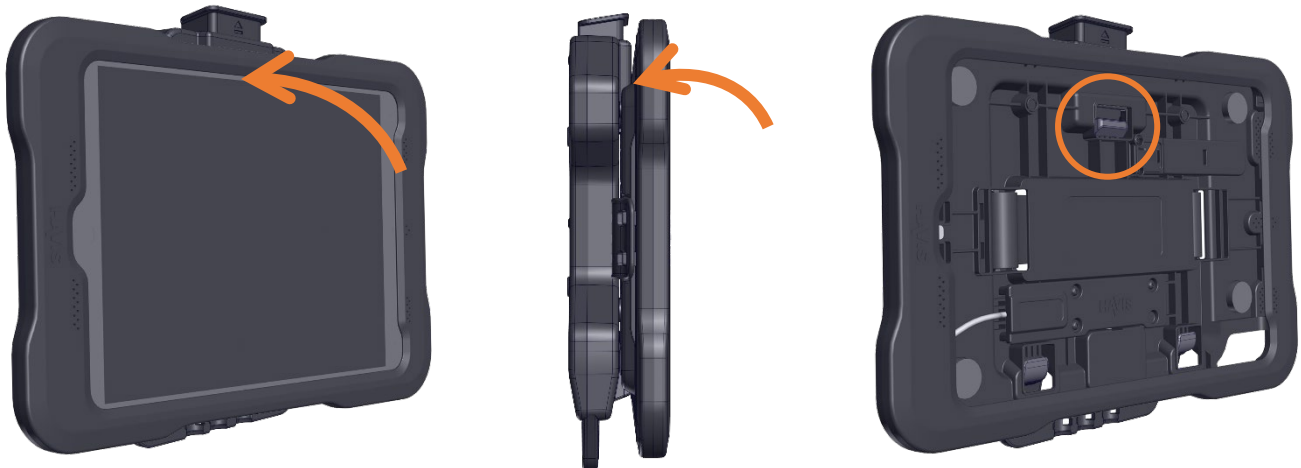


Front Hooks engaging with Tablet Case (shown without a tablet).



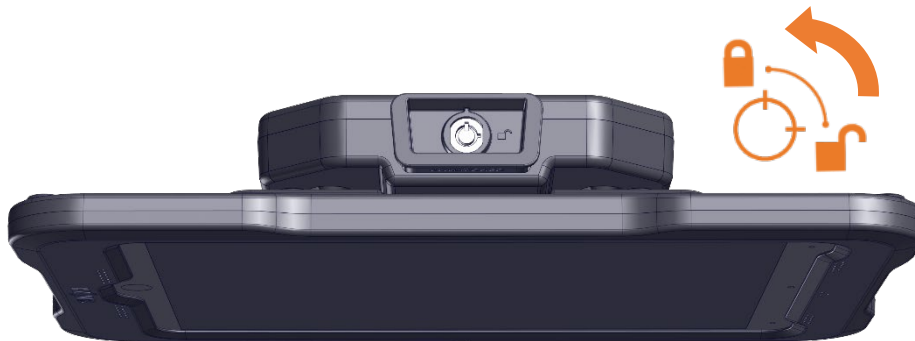
## Operation – Docking (continued)

- 3) Pivot Tablet Case into the Docking Station until the Docking Station's Latch Hook engages with the Latch Hook Recess on the Tablet Case. A click will be heard when docked correctly.



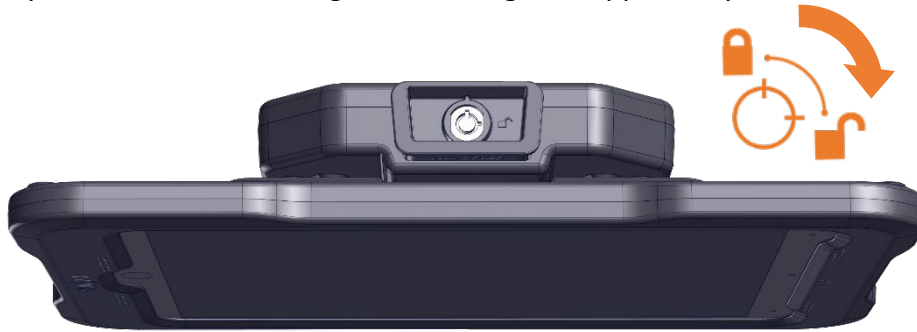
Latch Hook engaging with Tablet Case  
(shown without a tablet).

- 4) For theft deterrence, secure Tablet Case by locking Docking Station with supplied key (Hardware Kit Item 2).

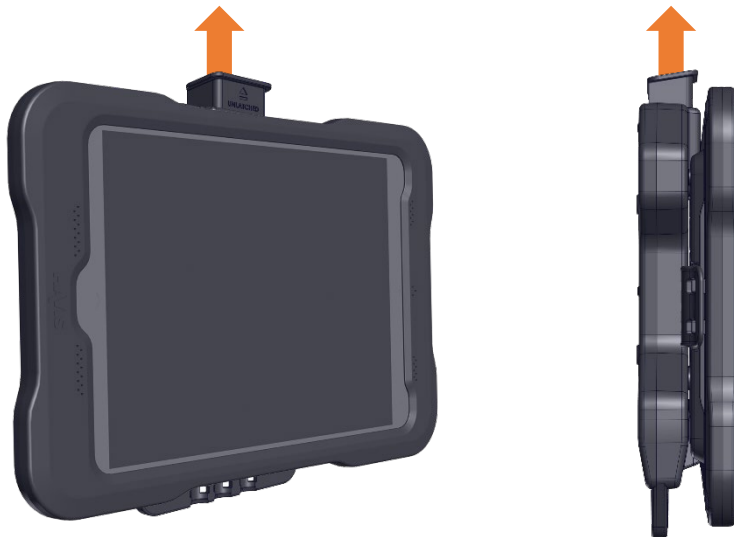


## Operation - Undocking

- 1) If previously locked, unlock Docking Station using the supplied key.



- 2) While holding Tablet Case with one hand, lift the Release Handle on the top of Docking Station.



- 3) While lifting the Release Handle grab the side of Tablet Case, rock the top forward and carefully lift out of Docking Station, top end first.



## Related Products

Havis offers a wide variety of accessory products specifically for use with your Docking Station. For more information or to order, please visit [www.havis.com](http://www.havis.com).



### **C-MD-401/402 and PKG-FAM-118**

#### ***Universal Rugged Articulating Phone & Tablet Mounts***

Light weight mounts are an ideal mobile solution for tablet, phone, or keyboard



### **DS-DA-107**

#### ***Tablet Case Shoulder Strap***

Mount this Shoulder Strap to the top of the Tablet Case for easy carrying.



### **DS-DA-108**

#### ***Replacement Tablet Case Hand Strap***

Replacement Hand Strap for the Havis Tablet Case.



### **DS-DA-325**

#### ***Replacement Power Cable for DS-TAB-100 Series***

Replacement charging cable for the DS-TAB-100 series Docking Stations.



### **DS-DA-218**

#### ***Desktop Stand for Tablet Docking Stations***

Durable stand for mounting tablet Docking Stations for use in the home or office.



### **DS-DA-502**

#### ***Replacement Keys***

Set of two (2) replacement keys for DS-TAB-100 Series Docking Stations.

