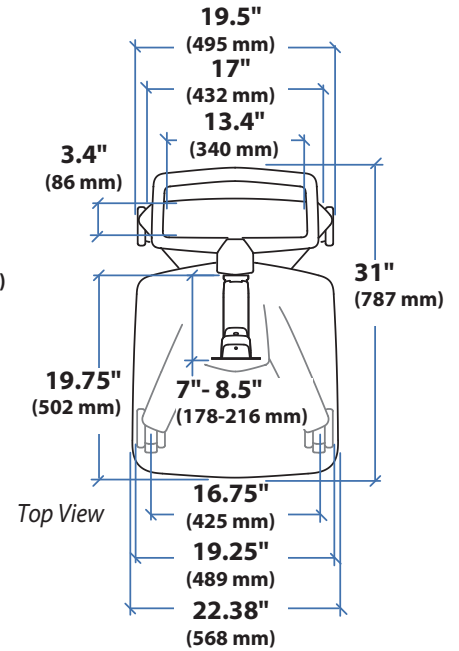
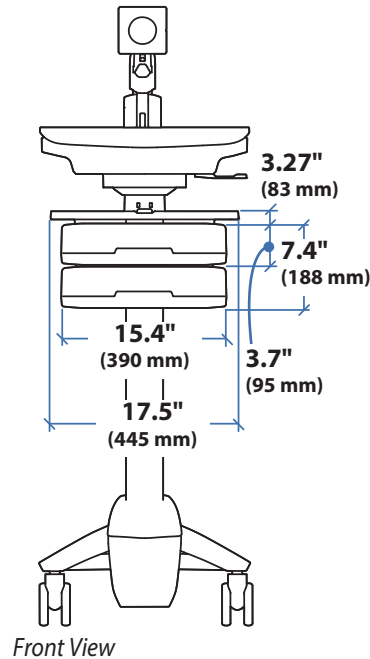
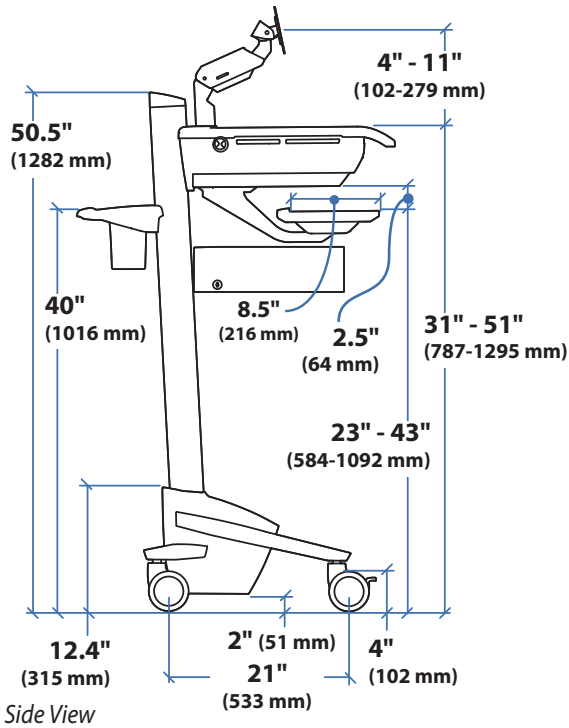
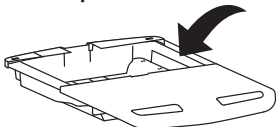


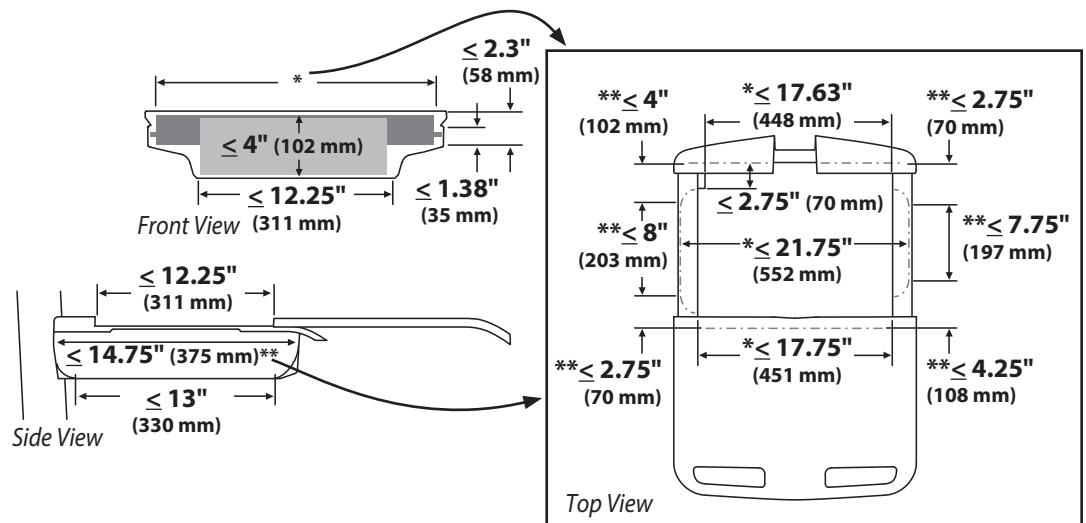
## Dimensions



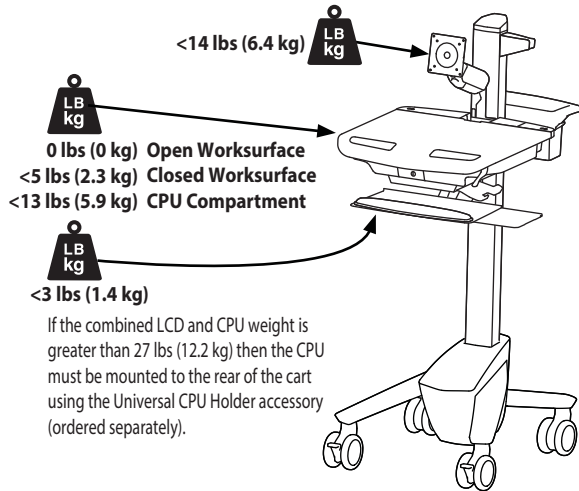
### CPU Compartment



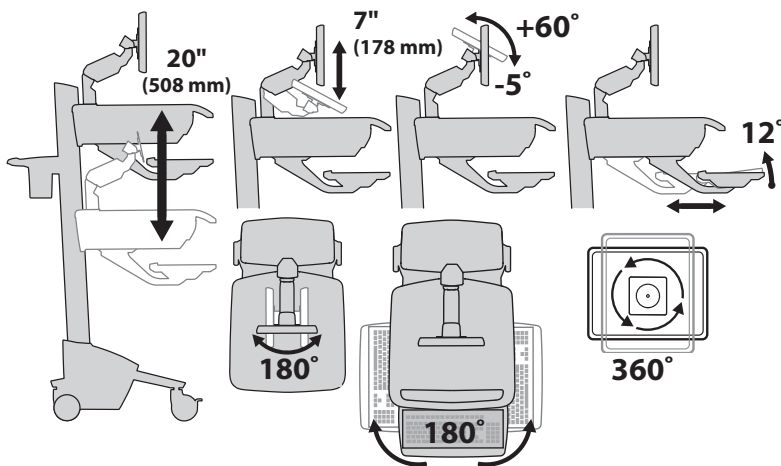
When figuring dimensions, include mounted accessories, protruding cables and port replicators or docking stations.



### Weight Capacity



### Range of Motion



© 2014 Ergotron, Inc. rev. 03/28/2022 DIM-SV43Arm Content is subject to change without notification

#### Americas Sales and Corporate Headquarter

St. Paul, MN USA  
 (800) 888-8458  
 +1-651-681-7600  
 www.ergotron.com  
 insidesales@ergotron.com

#### EMEA Sales

Amersfoort, The Netherlands  
 +31 33 45 45 600  
 www.ergotron.com  
 info.eu@ergotron.com

#### APAC Sales

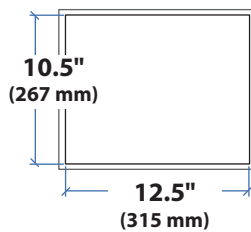
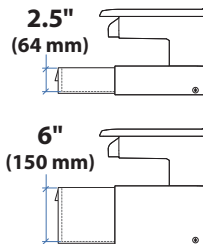
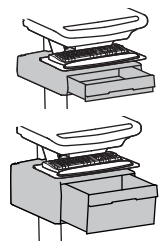
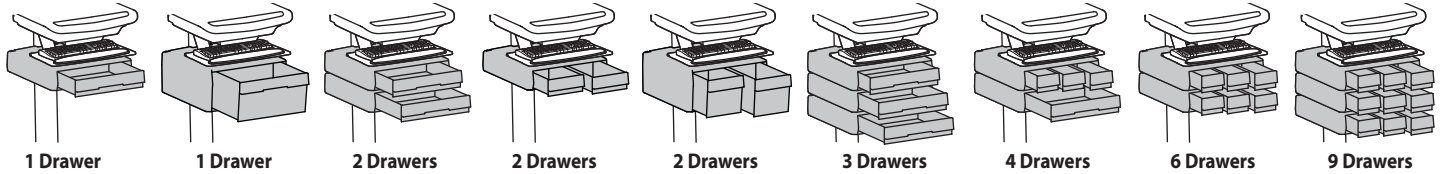
Sydney, Australia  
 www.ergotron.com  
 apaccustomerservice@ergotron.com

#### Worldwide OEM Sales

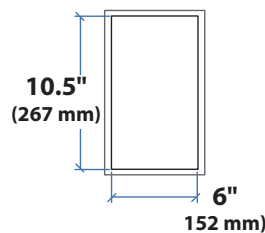
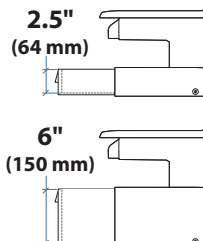
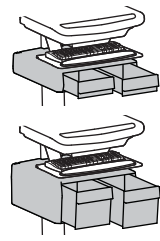
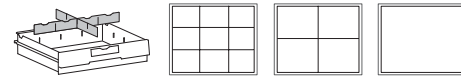
www.ergotron.com  
 info.oem@ergotron.com

## Dimensions

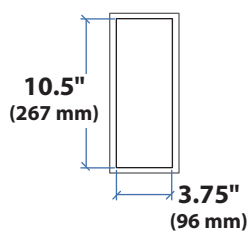
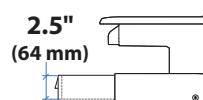
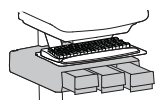
### \*Auto-Lock Drawer



**Total weight capacity per drawer.**  
≤ 2 lbs (1 kg)



**Total weight capacity per drawer.**  
≤ 1 lbs (0.5 kg)



**Total weight capacity per drawer.**  
≤ 0.25 lbs (0.1 kg)

