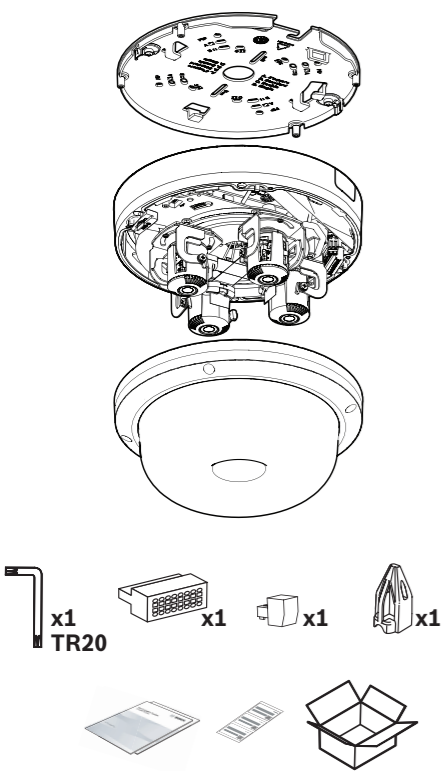
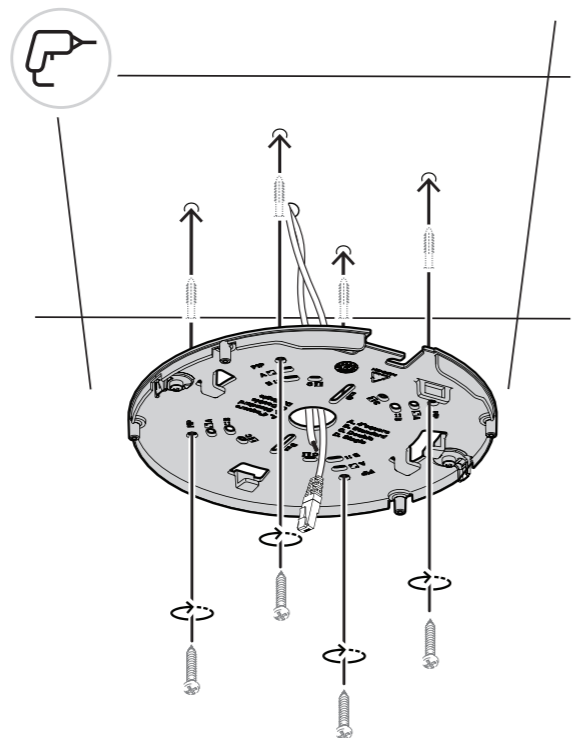


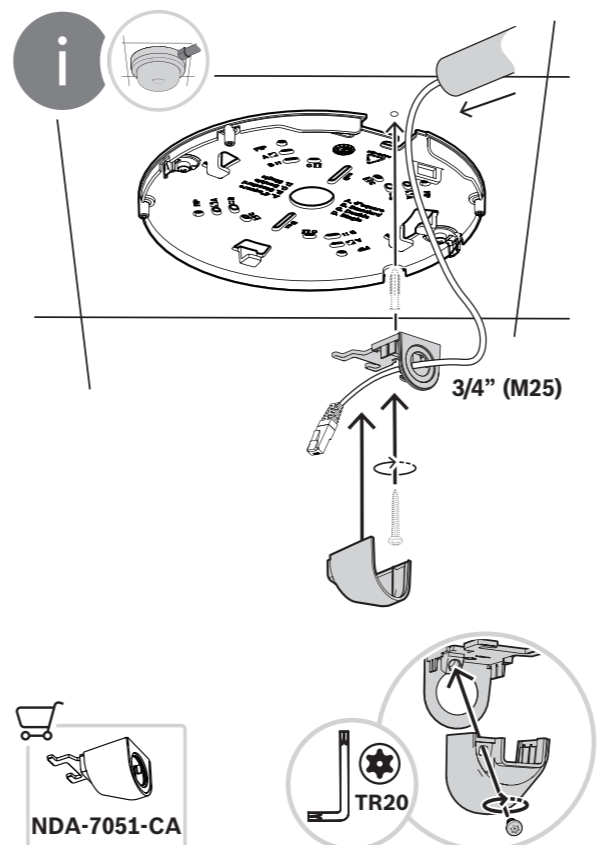
1 |



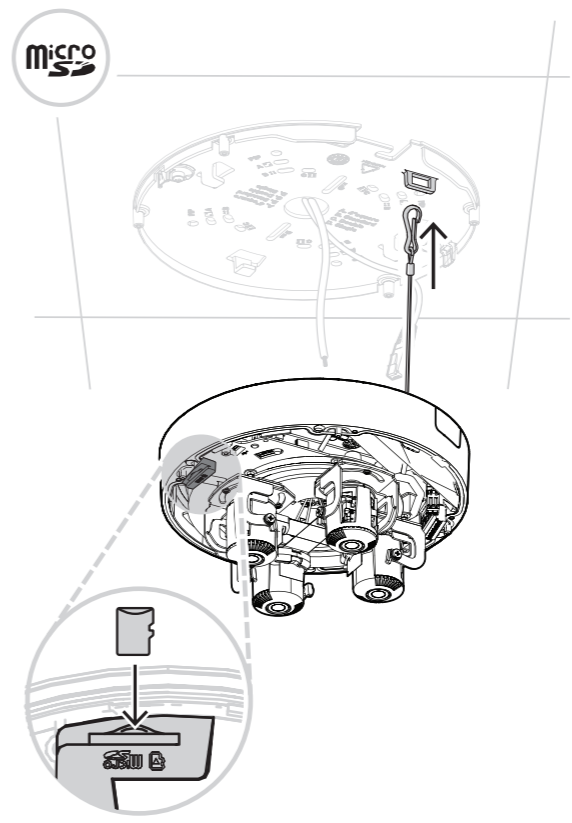
2 |



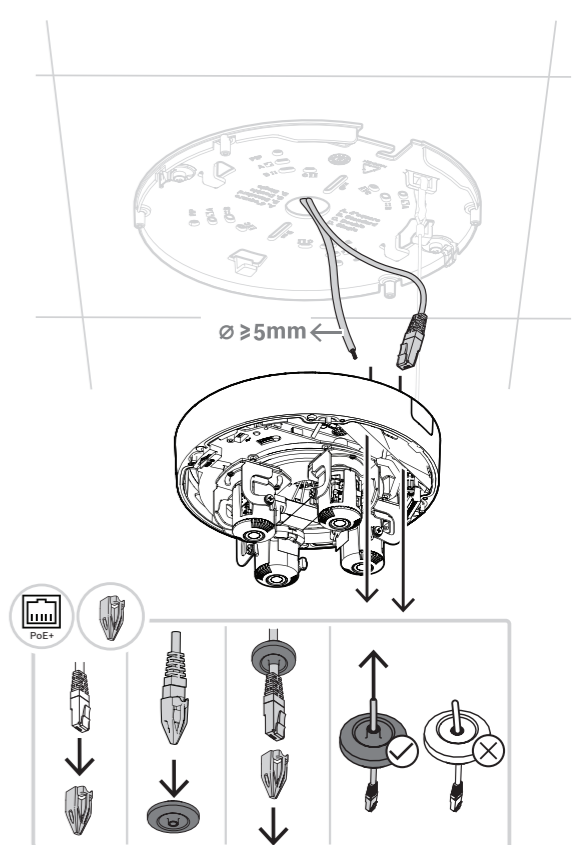
3 |



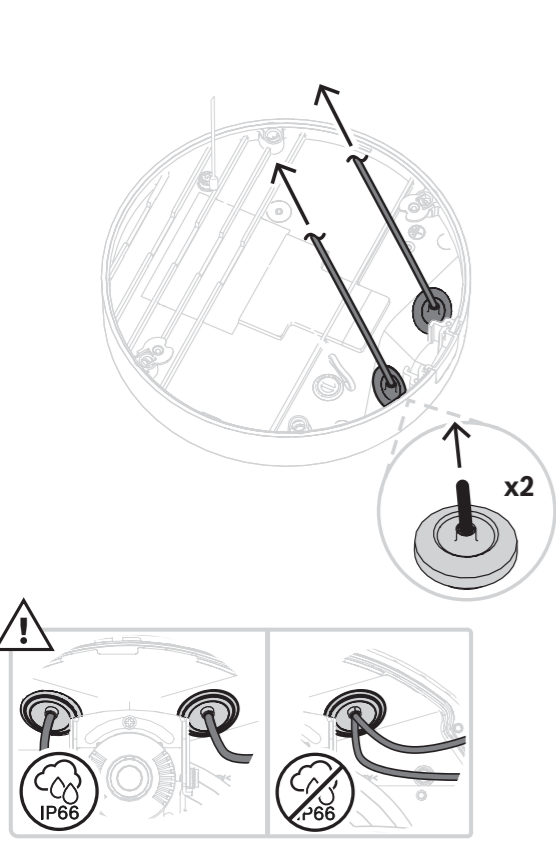
4 |



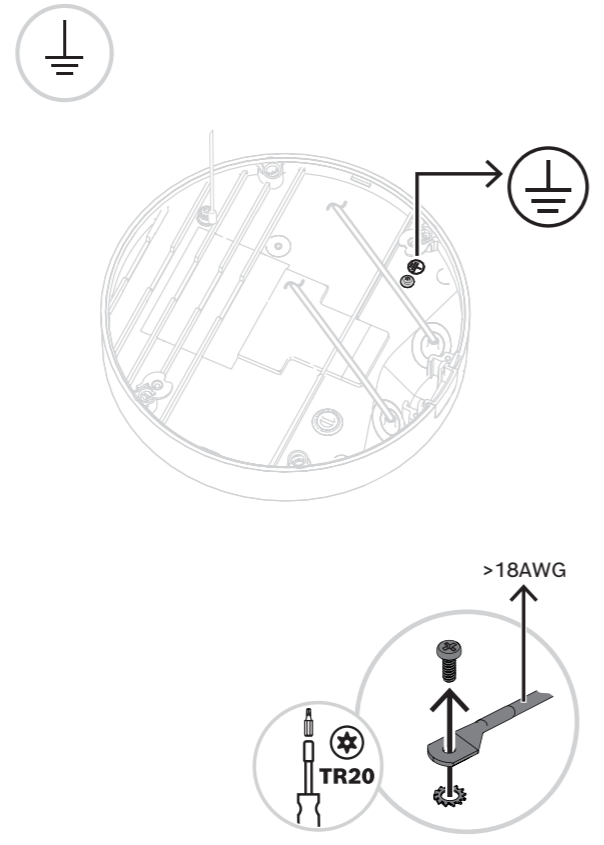
5 |



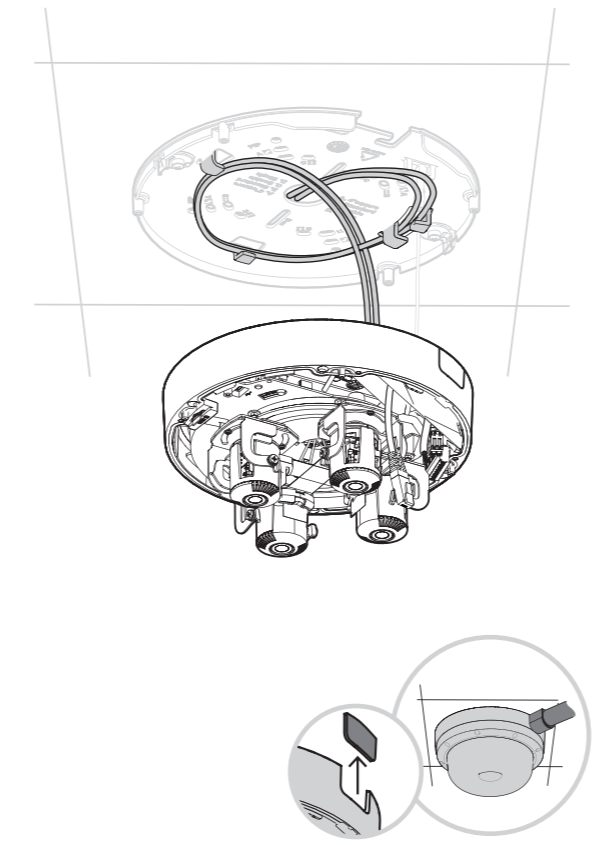
6 |



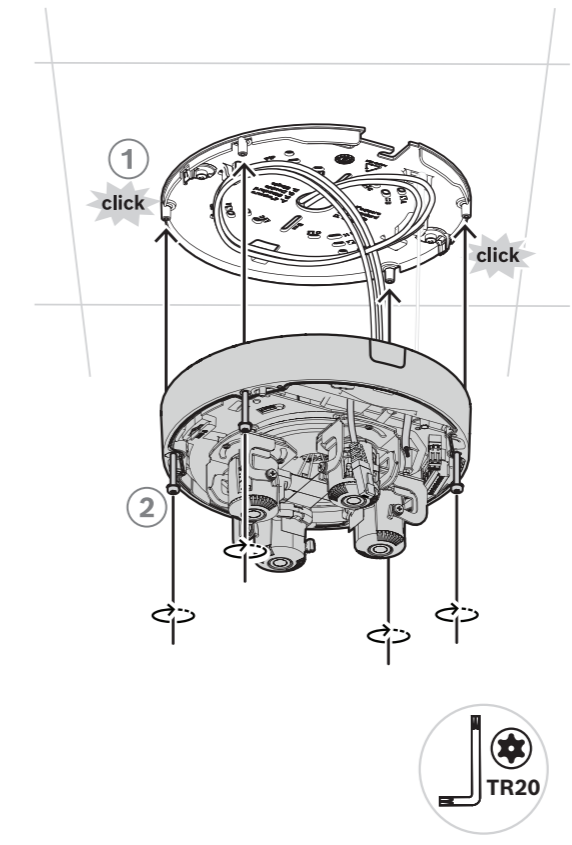
7 |



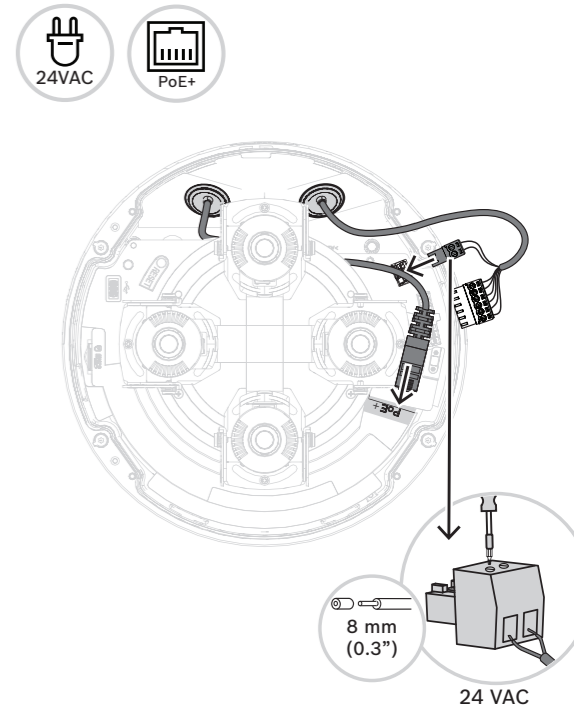
8 |

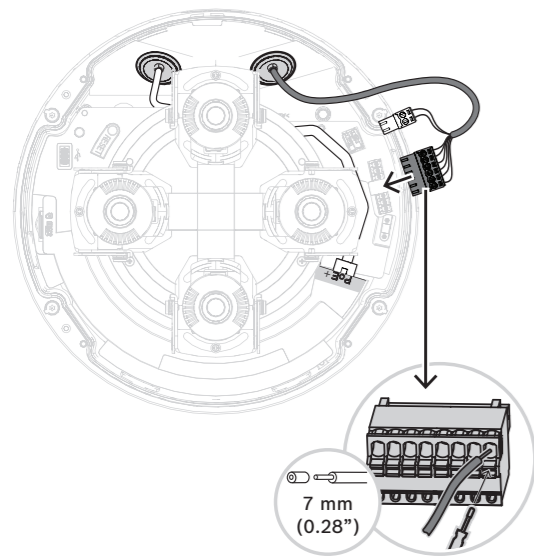


9 |



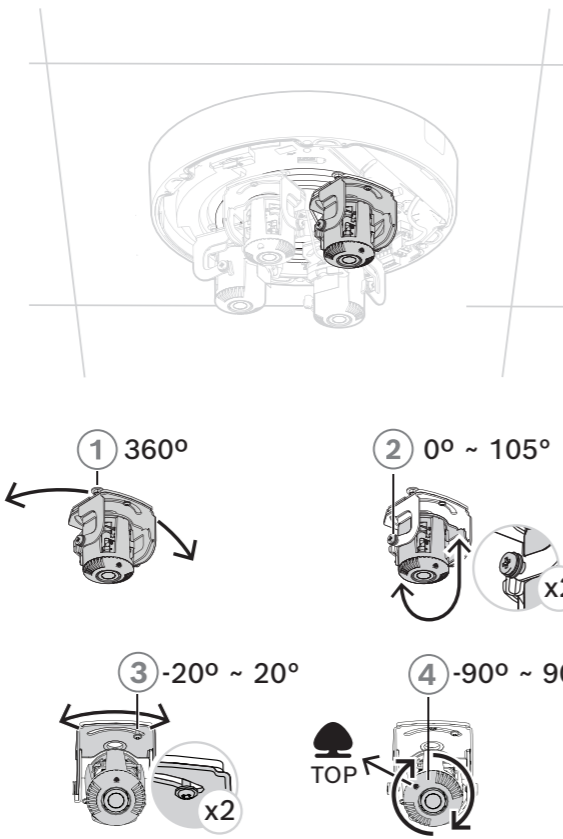
10 |





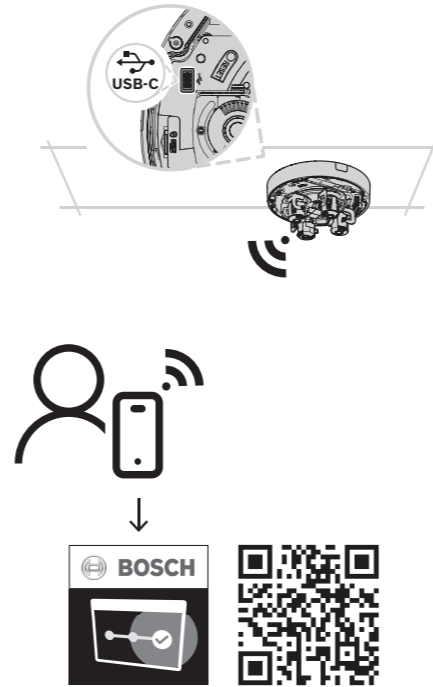
Audio				Alarm			
IN	GND	OUT	GND	IN	GND	OUT	OUT

7 mm (0.28")

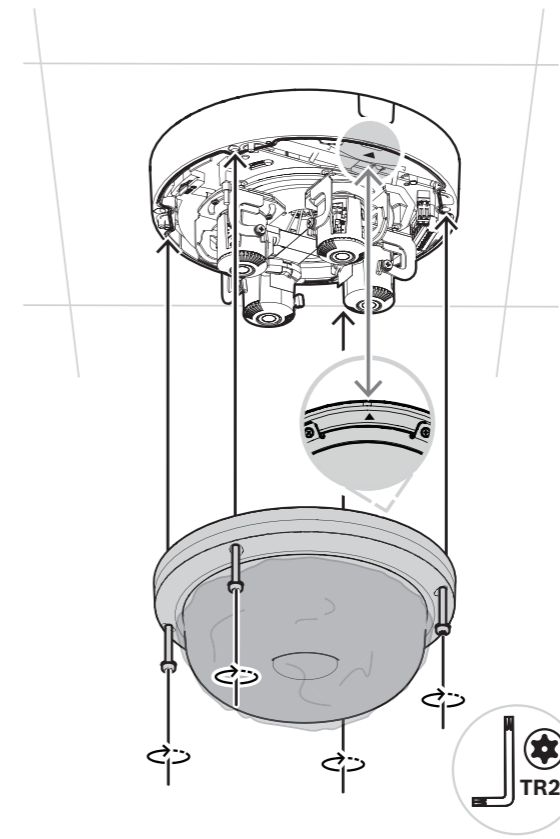


Project Assistant app

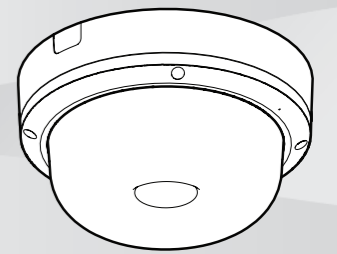
Windows | iOS | Android



<https://downloadstore.boschsecurity.com/>



FLEXIDOME multi 7000i  
NDM-7702-A | NDM-7703-A



en Quick installation guide

**Bosch Security Systems B.V.**  
Torenallee 49  
5617 BA Eindhoven  
Netherlands  
[www.boschsecurity.com](http://www.boschsecurity.com)  
© Bosch Security Systems B.V., 2021

