

FLEXIDOME starlight 8000i - 2MP

www.boschsecurity.com



BOSCH

Invented for life



- ▶ Wireless or remote configuration and commissioning with the Project Assistant app. Pan, Tilt, Roll and Zoom (PTRZ) to set the camera to the required field of view, without having to touch the camera or lens
- ▶ Intelligent streaming, IDNR and H.265 reduce bit rate by up to 80%
- ▶ Starlight technology provides highly detailed images in extreme low-light situations
- ▶ Built-in Intelligent Video Analytics to trigger alerts and quickly retrieve data with the highest levels of accuracy
- ▶ High Dynamic Range to see every detail in both bright and dark areas of the scene

The FLEXIDOME IP starlight 8000i cameras offer starlight technology and High Dynamic Range with 1080p resolution to provide crisp and highly detailed images in even extreme low-light situations. Fast moving objects are easily captured with frame rates of up to 60 frames per second. It delivers excellence in video security and data management and has built-in state-of-the-art Intelligent Video Analytics as standard.

It's rugged and aesthetic design makes the camera suitable for any indoor or outdoor installation. The camera's remote commissioning functionality makes sure installation and commissioning can be done in very little time. Using a PC or a mobile device with the Bosch Project Assistant app, you can pan, tilt, roll and zoom (PTRZ) and point the camera to the required field of view with a single click - without ever having to touch the camera or lens.

Functions

Full Remote Commissioning

Installing a professional IP video surveillance camera has never been so easy. In fact, as an installer, you'll never want to go back to the old methods of installing cameras again. We've simplified the installation and commissioning stages to such a degree that they can be done in very little time.

With the FLEXIDOME IP starlight 8000i camera's remote commissioning functionality there's no need to go up and down ladders. Using a PC or a mobile device with the Bosch Project Assistant app, you can pan, tilt, roll and zoom (PTRZ) and point the camera to the required field of view with a single click - without ever having to touch the camera or lens.

Wireless or remote configuration and commissioning can also be done at a later stage once all cameras have been installed. Simply connect the Bosch Project Assistant app, available for iOS, Windows or Android, wirelessly to the camera. Or connect to the camera remotely via the network using the camera's web interface or the Bosch Configuration Manager.

Fast performance

The 60 frames per second mode provides for optimum performance in fast action scenes that ensures no critical data is lost.

Starlight performance

The latest sensor technology combined with the sophisticated image processing and noise suppression results in an exceptional sensitivity in color. The low-light performance is so good that the camera continues to provide excellent color performance even with a minimum of ambient light.

High Dynamic Range

The high dynamic range mode is based on a multiple-exposure process that captures more details in the highlights and in the shadows even in the same scene. The result is that you can easily distinguish objects and features, for example, faces with bright backlight. The actual dynamic range of the camera is measured using Opto-Electronic Conversion Function (OECF) analysis according to IEC 62676 Part 5.

Scene modes

Nine configurable modes are provided with the best settings for a variety of applications. In one click fully optimized image settings can be selected to suit the conditions. Different scene modes can be selected for different situations such as traffic or retail environments.

Intelligent streaming

Smart encoding capabilities, together with Intelligent Dynamic Noise Reduction technology and analytics, make the bandwidth consumption drop to extremely low levels. Only relevant information in the scene, like motion, or objects found with the analytics, need to be encoded.

The camera is capable of quad streaming which allows the camera to deliver independent, configurable streams for live viewing, recording, or remote monitoring via constrained bandwidths.

Each of these streams can be adapted independently to deliver high quality video, perfectly tailored to purpose, while reducing bit rate by up to 90% compared to a standard camera.

Storage calculator

To calculate the bandwidth and storage capacity required for a camera setup please refer to the Bosch Storage Calculator on: www.boschsecurity.com/StorageCalculator

H.265 high-efficiency video encoding

The camera is designed on the most efficient and powerful H.264 and H.265/HEVC encoding platform. The camera is capable of delivering high-quality and high-resolution video with very low network load. With a doubling of encoding efficiency, H.265 is the new compression standard of choice for IP video surveillance systems.

Recording and storage management

Recording management can be controlled by the Bosch Video Recording Manager application, or the camera can use local storage and iSCSI targets directly without any recording software.

Local storage can be used for recording "at the edge" or for Automatic Network Replenishment (ANR) technology to improve the overall recording reliability. Pre-alarm recording in RAM reduces bandwidth consumption on the network and extends the effective life of the memory card.

Advanced edge recording

Advanced edge recording provides the most reliable storage solution possible due to the combination of the following functionalities:

- Dual SD cards that can be set up as either:
 - Mirrored, for redundant storage
 - Failover, for extended service intervals
 - Extended, for maximum retention time
- Industrial SD card support allows for extreme lifetime
- Health monitoring of industrial SD cards provide early service indications

Intelligent Video Analytics on the edge

The camera includes the latest release of the Intelligent Video Analytics application from Bosch. Specifically designed for the most demanding environments. It delivers the highest levels of accuracy for mission-critical applications such as perimeter protection of airports, critical infrastructures and government buildings, border patrol, ship tracking and traffic monitoring (e.g. wrong-way detection, traffic counts, monitoring roadsides for parked cars). Intelligent Video Analytics is extremely resistant to false triggers caused by challenging environments with snow, wind (moving trees), rain, hail, and water reflections. It is ideal for providing automatic object detection over large distances.

The set-up of Bosch's video analytics is also second to none, which is great news for installers. Should your customer decide to use Intelligent Video Analytics, configuration and calibration couldn't be easier. Simply enter the height of the camera and the rest of the calibration is carried out by the video analytics itself based on information provided by the camera's built-in gyro sensor.

DORI coverage

DORI (Detect, Observe, Recognize, Identify) is a standard system (EN-62676-4) for defining the ability of a camera to distinguish persons or objects within a covered area. The maximum distance at which a camera/lens combination can meet these criteria is shown below:

2 MP Camera with 3 mm - 9 mm lens or 10 mm - 23 mm lens

| DORI | DORI definition | Distance 3 mm / 9 mm | Distance 10 mm / 23 mm | Horizontal width |
|-----------|----------------------|--------------------------------------|--|------------------|
| Detect | 25 px/m 8 px/ft | 24 m / 115 m 74 ft / 359 ft | 134 m / 304 m 419 ft / 950 ft | 77 m 240 ft |
| Observe | 63 px/m 19 px/ft | 9 m / 46 m 31 ft / 151 ft | 53 m / 121 m 176 ft / 400 ft | 31 m 101 ft |
| Recognize | 125 px/m 38 px/ft | 5 m / 23 m 16 ft / 76 ft | 27 m / 61 m 88 ft / 200 ft | 15 m 51 ft |
| Identify | 250 px/m 76 px/ft | 2 m / 12 m 8 ft / 38 ft | 13 m / 30 m 44 ft / 100 ft | 8 m 25 ft |

Data security

Special measures ensure the highest level of security for device access and data transport. On initial setup, the camera is only accessible over secure channels and enforces a password. Web browser and viewing client access can be protected using HTTPS or other secure protocols that support state-of-the-art TLS 1.2 with updated cipher suites including AES encryption with 256 bit keys. No software can be installed in the camera, and only authenticated firmware can be uploaded. A three-level password protection with security recommendations allows users to customize device access.

Network and device access can be protected using 802.1x network authentication with EAP/TLS. Superior protection from malicious attacks is guaranteed by the Embedded Login Firewall, on-board Trusted Platform Module (TPM) and Public Key Infrastructure (PKI) support.

The advanced certificate handling offers:

- Self-signed unique certificates automatically created when required
- Client and server certificates for authentication
- Client certificates for proof of authenticity
- Certificates with encrypted private keys

System integration and ONVIF conformance

The camera conforms to the ONVIF Profile S, ONVIF Profile G and ONVIF Profile T specifications. For H.265 configuration, the camera supports Media Service 2, which is part of ONVIF Profile T. Compliance with these standards guarantees interoperability between network video products regardless of manufacturer.

Third-party integrators can easily access the internal feature set of the camera for integration into large projects. Visit the Bosch Integration Partner Program (IPP) website (ipp.boschsecurity.com) for more information.

Universal accessories

A full line of universal accessories are available that allow a consistent design across different platforms and a wide range of installation possibilities. Several dedicated accessories are available that seamlessly fit to the camera and expand the different installation options over previous generations. Available options include: a paintable cover, an on-camera weather protector, a clear or tinted replacement bubble, in-ceiling mounting kits, a surveillance cabinet with power and fiber optic options and different mounting options.

Certifications and approvals

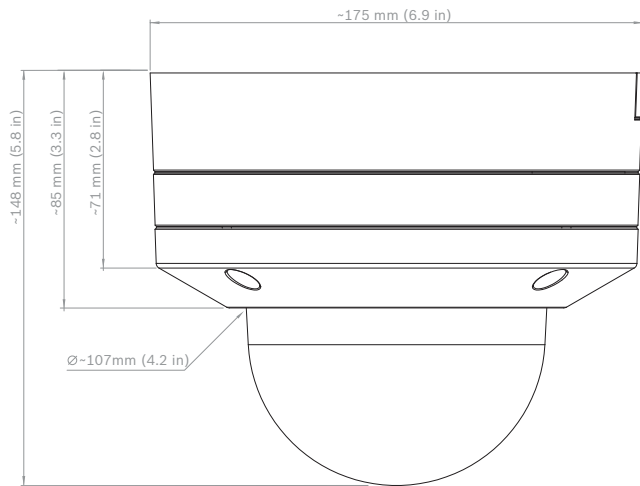
| Standards | Type |
|-----------------------|---|
| Emission | ETSI EN 301 489-1 EN 50121-4 47CFR15, class B (STP) and 47CFR15, class A (UTP) AS/NZS CISPR 32 |
| Immunity | EN 50130-4 EN 50121-4 |
| Environmental | EN 50130-5 (Class IV); EN 60068-2-1, EN 60068-2-2, EN 60068-2-6, EN 60068-2-18, EN 60068-2-27, EN 60068-2-30, EN 60068-2-52, EN 60068-2-75, EN 60068-2-78 UL 2043 combined with NDA-8000-PLEN NEMA TS-2 chapter 2.1 |
| Safety | EN 62368-1 EN 60950-22 UL 62368-1 UL 60950-22 CAN/CSA-C22.2 No. 62368-1 CAN/CSA-C22.2 No. 60950-22-07 |
| Image performance | IEC 62676-5 |
| HD | SMPTE 296M-2001 (Resolution: 1280x720) SMPTE 274M-2008 (Resolution: 1920x1080) |
| Color representation | ITU-R BT.709-6 |
| ONVIF conformance | EN 50132-5-2 EN 62676-2 |
| Impact protection | EN 62262 (IK10+) |
| Water/dust protection | EN 60529 (IP66) UL50E (Type 4X) |
| Environment | EN 50581 (RoHS) |

| | |
|-------|--|
| Marks | CE, cULus, WEEE, RCM, EAC and China RoHS |
|-------|--|

| Region | Regulatory compliance/quality marks | |
|--------|-------------------------------------|------------------------------|
| Europe | CE | EU Declaration of Conformity |
| USA | UL | E243325-UL TC 20190122 |

Installation/configuration notes

Dimensions



Technical specifications

| Power | |
|---|--|
| Input voltage | PoE IEEE 802.3af / 802.3at Type 1, Class 3 24 VAC ±10% 12-26 VDC ±10% PoE and auxiliary power can be connected simultaneously for redundant operation |
| Power Consumption (typical / maximum) | PoE: 7 W / 13 W 24 VAC: 7.1 W - 12 VA / 13 W - 25 VA 12-26 VDC: 7.5 W / 16 W |
| Sensor | |
| Sensor type | 1/2.8-inch CMOS |
| Effective pixels | 1920 (H) x 1080 (V); 2.1MP (approx.) |
| Starlight sensitivity (3 to 9 mm lens) | |
| Measured according to IEC 62676 Part 5 (1/25, F1.2) | |
| Color | 0.007 lx |
| Mono | 0.0011 lx |
| Starlight sensitivity (10 to 23 mm lens) | |
| Measured according to IEC 62676 Part 5 (1/25, F1.6) | |
| Color | 0.013 lx |
| Mono | 0.0031 lx |

| Dynamic range | |
|--|--|
| High Dynamic Range | 146 dB WDR |
| Measured according to IEC 62676 Part 5 | 110 dB WDR (3 to 9 mm lens) 108 dB WDR (10 to 23 mm lens) |

| Optical (3 to 9 mm lens) | |
|--------------------------|--|
| Lens | 3 to 9 mm P-iris lens (IR corrected) F-stop 1.2 - 2.3 |
| Adjustment | Motorized zoom/focus |
| Iris control | P-iris control |
| Viewing angle | Wide: 117° x 59° (H x V) Tele: 37° x 21° (H x V) |

| Optical (10 to 23 mm lens) | |
|----------------------------|--|
| Lens | 10 to 23 mm P-iris lens (IR corrected) F-stop 1.6 - 2.6 |
| Adjustment | Motorized zoom/focus |
| Iris control | P-iris control |
| Viewing angle | Wide: 32° x 18° (H x V) Tele: 14.4° x 8.1° (H x V) |

| Video streaming | |
|-----------------------------|--|
| Video compression | H.265; H.264; M- JPEG |
| Sensor modes | 25 fps, HDR, 1920 x 1080 (2 MP) 30 fps, HDR, 1920 x 1080 (2 MP) 50 fps, 1920 x 1080 (2 MP) 60 fps, 1920 x 1080 (2 MP) |
| Streaming | Multiple configurable streams in H.264, H.265 and M-JPEG, configurable frame rate and bandwidth. Regions of Interest (ROI) Bosch Intelligent Streaming |
| Camera latency | 67 ms (2 MP, 60 fps) |
| GOP structure | IP, IBP, IBBP |
| Frame rate | 1-60 fps |
| Signal-to-Noise Ratio (SNR) | >55 dB |

| Video resolution (H x V) | |
|--------------------------|-------------|
| 1080p HD | 1920 x 1080 |
| Upright mode 1080p HD | 1080 x 1920 |
| 1.3 MP (5:4) | 1280 x 1024 |
| 720p HD | 1280 x 720 |
| Upright mode 720p | 720 x 1280 |

| Video resolution (H x V) | |
|-----------------------------|---|
| 480p SD | 854 x 480 |
| SD 4:3 (cropped) | 704 x 480 |
| Camera installation | |
| Mirror image | On / Off |
| Rotate | 0° / 90° upright / 180° / 270° upright |
| Camera LED | Enable/disable |
| Positioning | Coordinates / Mounting height |
| Camera view wizard | Motorized pan, tilt, roll, zoom, autofocus |
| Wireless commissioning | IEEE 802.11b/g/n |
| Video functions - color | |
| Adjustable picture settings | Contrast, Saturation, Brightness |
| White Balance | 2500 to 10000K, 4 automatic modes (Basic, Standard, Sodium lamp, Dominant color), Manual mode and Hold mode |
| Video functions - ALC | |
| ALC level | Adjustable |
| Saturation | Adjustable from peak to average |
| Shutter | Automatic Electronic Shutter (AES); Fixed shutter (1/25[30] to 1/15000) selectable; Default shutter |
| Day/Night | Auto (adjustable switch points), Color, Monochrome |
| Video functions - enhance | |
| Sharpness | Sharpness enhancement level selectable |
| Backlight compensation | On/off |
| Contrast enhancement | On/off |
| Noise reduction | Intelligent Dynamic Noise Reduction with separate temporal and spatial adjustments |
| Intelligent defog | Intelligent Defog automatically adjusts parameters for best picture in foggy or misty scenes (switchable) |
| Video content analysis | |
| Analysis type | Intelligent Video Analytics |
| Configurations | Silent VCA / Profile1/2 / Scheduled / Event triggered |

| Video content analysis | |
|----------------------------------|--|
| Alarm rules (combinable) | Any object, Object in field, Line crossing, Enter / leave field, Loitering, Follow route, Idle / removed object, Counting, Occupancy, Crowd density estimation, Condition change, Similarity search, Flow / counter flow |
| Object filters | Duration, Size, Aspect ratio, Speed, Direction, Color, Object classes (4) |
| Tracking modes | Standard (2D) tracking, 3D tracking, 3D people tracking, Ship tracking, Museum mode |
| Calibration / Geolocation | Automatic, based on gyro sensor, focal length and camera height |
| Tamper detection | Maskable |
| Additional functions | |
| Scene modes | 10 default modes with scheduler: Indoor, Outdoor, Traffic, Night Optimized, Intelligent AE, Vibrant, Low bitrate, Sports & Gaming, Retail, License Plate Recognition (LPR) |
| Privacy Masking | Eight independent areas, fully programmable |
| Face detection | Image posting |
| Display stamping | Name; Logo; Time; Alarm message |
| Pixel counter | Selectable area |
| Local storage | |
| Internal RAM | 5 s pre-alarm recording |
| Memory card slots | Dual SDXC / SDHC / SD card slots. |
| Dual SD-card slot configurations | <ul style="list-style-type: none"> Mirror (redundant storage) Failover (extended service interval) Extend (maximum retention time) Automatic Network Replenishment |
| Industrial SD cards | Extreme lifetime and health monitoring support that provides early service indication. |
| Input/output | |
| Power output | +12 VDC, max 50mA |
| Audio signal line in | 10 kOhm typical; 1 Vrms max |
| Audio signal line out | 1 Vrms; 1.5 kOhm typical |
| Alarm input | 2 inputs, activation voltage: +3.3 VDC to +40 VDC |
| Alarm output | 1 output, maximum: 30 VAC or +40 VDC, 0.5 A continuous, 10 VA |
| Ethernet | RJ45 |

| Input/output | |
|--------------------------------|---|
| Surge protection | Ethernet: 1 kV, 2 kA to ground (8/20 µs pulse) |
| Fiber optics (sold separately) | The Fiber Optic Ethernet Media Converter kit (VG4-SFPSCKT) installed inside a Surveillance Cabinet (NDA-U-PA0, NDA-U-PA1 or NDA-U-PA2) provides the fiber optic interface to the mounted camera. |
| Audio streaming | |
| Standard | G.711, 8 kHz sampling rate L16, 16 kHz sampling rate AAC-LC, 48 kbps at 16 kHz sampling rate AAC-LC, 80 kbps at 16 kHz sampling rate |
| Signal-to-Noise Ratio | >50 dB |
| Audio Streaming | Full-duplex / half duplex |
| Network | |
| Protocols | IPv4, IPv6, UDP, TCP, HTTP, HTTPS, RTP/RTCP, IGMP V2/V3, ICMP, ICMPv6, RTSP, FTP, ARP, DHCP, APIPA (Auto-IP, link local address), NTP (SNTP), SNMP (V1, V3, MIB-II), 802.1x, DNS, DNSv6, DDNS (DynDNS.org, selfHOST.de, no-ip.com), SMTP, iSCSI, UPnP (SSDP), DiffServ (QoS), LLDP, SOAP, Dropbox™, CHAP, digest authentication |
| Ethernet | 10/100 Base-T, auto-sensing, half/full duplex |
| Connectivity | Auto-MDIX |
| Interoperability | ONVIF Profile S; ONVIF Profile G; ONVIF Profile T GB/T 28181 |
| Data security | |
| Crypto Coprocessor (TPM) | RSA 2048 bit, AES/CBC 256 bit |
| FIPS | FIPS 140-2 Level 3 compliant |
| PKI | X.509 certificates |
| Encryption | Full end-to-end encryption with supported VMS Network: TLS1.0/1.2, AES128, AES256 Local storage: XTS-AES |
| Video authentication | checksum, MD5, SHA-1, SHA-256 |
| Mechanical | |
| Dimensions (D x H) | 175 x 148 mm (6.9 x 5.7 in) |
| Weight | 2.2 kg (4.85 lbs) |
| Mounting | Surface mount |
| Color | White (RAL9003) |

| Mechanical | |
|---------------------|---|
| Motorized PTR range | Pan: 0° to +361° Tilt: -3.5° to +89° (NDE-8502-R), -3.5° to +90° (NDE-8502-RT) Roll: -95° to +95° |
| Dome bubble | Polycarbonate, clear with UV blocking anti-scratch coating |
| Housing | Aluminum with dehumidifying membranes and waterproof connection area |

| Environmental | |
|-----------------------------------|--|
| Operating temperature | -50 °C to +60 °C (-58 °F to +140 °F) for continuous operation; Up to +74 °C (+165 °F) according to NEMA TS 2-2003 (R2008), para 2.1.5.1 using fig. 2.1 test profile |
| Storage temperature | -30 °C to +70 °C (-22 °F to +158 °F) |
| Operating humidity | 5% to 93% RH non condensing 5% to 100% RH condensing |
| Storage humidity | Up to 98% RH |
| Impact resistance casing and dome | IK10+ (50 joules) |
| Water/dust protection | IP 66 and NEMA Type 4X |

Ordering information

NDE-8502-R Fixed dome 2MP HDR 3-9mm PTRZ IP66
Fixed dome 2MP PTRZ H.265 IVA IP66
Order number **NDE-8502-R**

NDE-8502-RT Fixed dome 2MP HDR 10-23mm PTRZ IP66
Fixed dome 2MP tele PTRZ H.265 IVA IP66
Order number **NDE-8502-RT**

Accessories
NDA-U-CMT Corner mount adapter

Universal corner mount, white
Order number **NDA-U-CMT**

NDA-U-PA0 Surveillance cabinet 24VAC

Surveillance cabinet, 24 VAC input, 24 VAC output, IP66
Order number **NDA-U-PA0**

NDA-U-PA1 Surveillance cabinet 120VAC

Surveillance cabinet, 100 - 120 VAC 50/60 Hz input, 24 VAC output, IP66
Order number **NDA-U-PA1**

NDA-U-PA2 Surveillance cabinet 230VAC

Surveillance cabinet, 230 VAC input, 24 VAC output, IP66
Order number **NDA-U-PA2**

NDA-U-PMAL Pole mount adapter large

Universal pole mount adapter, white; large
Order number **NDA-U-PMAL**

NDA-U-PMAS Pole mount adapter small

Pole mount adapter small
Universal pole mount adapter, white; small.
Order number **NDA-U-PMAS**

NDA-U-PMT Pendant pipe mount, 12" (31cm)

Universal pipe mount for dome cameras, 31 cm, white
Order number **NDA-U-PMT**

NDA-U-PMTE Pendant pipe extension, 20" (50cm)

Extension for universal pipe mount, 50 cm, white
Order number **NDA-U-PMTE**

NDA-U-PSMB Pendant wall/ceiling mount SMB

Surface mount box (SMB) for wall mount or pipe mount.
Order number **NDA-U-PSMB**

NDA-U-RMT Pendant parapet mount

Universal roof mount for dome cameras, white
Order number **NDA-U-RMT**

NDA-U-WMP Wall mount plate

Back plate for universal wall mount, corner mount and pole mount, white, IP66
Order number **NDA-U-WMP**

NDA-U-WMT Pendant wall mount

Universal wall mount for dome cameras, white
Order number **NDA-U-WMT**

NDA-8000-PIP Pendant interface plate, indoor

Pendant interface plate for FLEXIDOME IP 8000i and FLEXIDOME IP panoramic 6000/7000 outdoor.
Order number **NDA-8000-PIP**

NDA-8000-PIPW Pendant interface plate, outdoor

Pendant interface plate including weather protector for FLEXIDOME IP 8000i and FLEXIDOME IP panoramic 6000/7000 outdoor.
Order number **NDA-8000-PIPW**

NDA-8000-CBL Clear replacement bubble

Clear replacement bubble.
Order number **NDA-8000-CBL**

NDA-8000-IC In-ceiling mount kit

In-ceiling mount kit for FLEXIDOME IP 8000i.
Order number **NDA-8000-IC**

NDA-8000-PC Paintable cover, 4 pcs

Paintable cover (4 pieces) for FLEXIDOME IP 8000i.
Order number **NDA-8000-PC**

NDA-8000-PLEN Plenum-rated in-ceiling mount kit

Plenum-rated in-ceiling mount kit for FLEXIDOME IP 8000i.
Order number **NDA-8000-PLEN**

NDA-8000-SP In-ceiling mount support kit

Soft ceiling support for in-ceiling mount kit for FLEXIDOME IP 8000i.
Order number **NDA-8000-SP**

NDA-8000-TBL Tinted Bubble

Tinted bubble for FLEXIDOME IP 8000i.
Order number **NDA-8000-TBL**

NDA-8000-WP On-camera weather protector

On-camera weather protector for FLEXIDOME IP 8000i.
Order number **NDA-8000-WP**

VG4-SFPSCKT ETHERNET TO SFP INTERFACE KIT

Ethernet media converter video transmitter/data receiver fiber optic kit for AUTODOME cameras and for MIC-IP-PSU for MIC analog cameras.
Order number **VG4-SFPSCKT**

SFP-2 Fiber module, multimode, 1310nm, 2LC

SFP Fiber Optic Module, 2 km (1.2 miles), 2 LC connectors.
Multi-mode
1310 nm
Order number **SFP-2**

SFP-3 Fiber module, single-mode, 1310nm, 2LC

SFP Fiber Optic Module, 20 km (12.4 miles), 2 LC connectors.
Single-mode
1310 nm
Order number **SFP-3**

SFP-25 Fiber module, 1310/1550nm, 1SC

SFP Fiber Optic Module, 2 km (1.2 miles), 1 SC connector
Multi-mode
1310/1550 nm
Order number **SFP-25**

SFP-26 Fiber module, 1550/1310nm, 1SC

SFP Fiber Optic Module, 2 km (1.2 miles), 1 SC connector
Multi-mode
1550/1310 nm
Order number **SFP-26**

NDA-U-PMTG Pendant pipe mount, gang box

Universal pipe mount, compatible with gang box installation for fixed dome cameras only, white
Order number **NDA-U-PMTG**

NDA-U-WMTG Pendant wall mount, gang box

Universal wall mount, compatible with gang box installation for fixed dome cameras only, white
Extension for universal pipe mount, 50 cm, white
Order number **NDA-U-WMTG**

Represented by:

Europe, Middle East, Africa:
Bosch Security Systems B.V.
P.O. Box 80002
5600 JB Eindhoven, The Netherlands
Phone: + 31 40 2577 284
emea.securitysystems@bosch.com
emea.boschsecurity.com

Germany:
Bosch Sicherheitssysteme GmbH
Robert-Bosch-Ring 5
85630 Grasbrunn
Germany
www.boschsecurity.com

North America:
Bosch Security Systems, Inc.
130 Perinton Parkway
Fairport, New York, 14450, USA
Phone: +1 800 289 0096
Fax: +1 585 223 9180
onlinehelp@us.bosch.com
www.boschsecurity.us

Asia-Pacific:
Robert Bosch (SEA) Pte Ltd, Security Systems
11 Bishan Street 21
Singapore 573943
Phone: +65 6571 2808
Fax: +65 6571 2699
apr.securitysystems@bosch.com
www.boschsecurity.asia