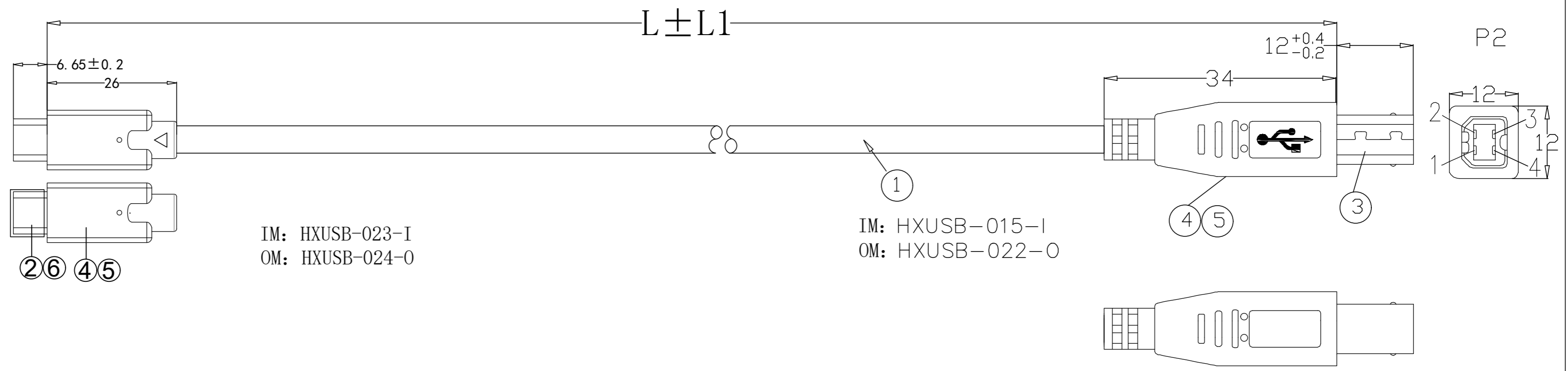
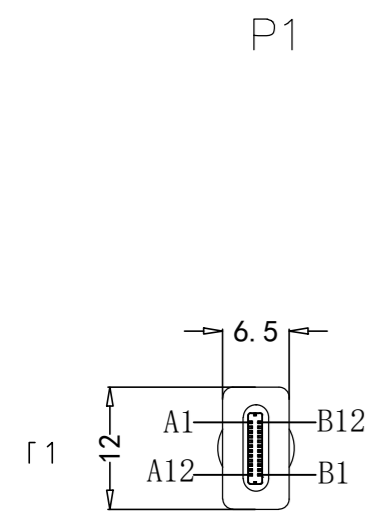


REV	MODIFICATION	DATE
A	ISSUE	2022.07.06



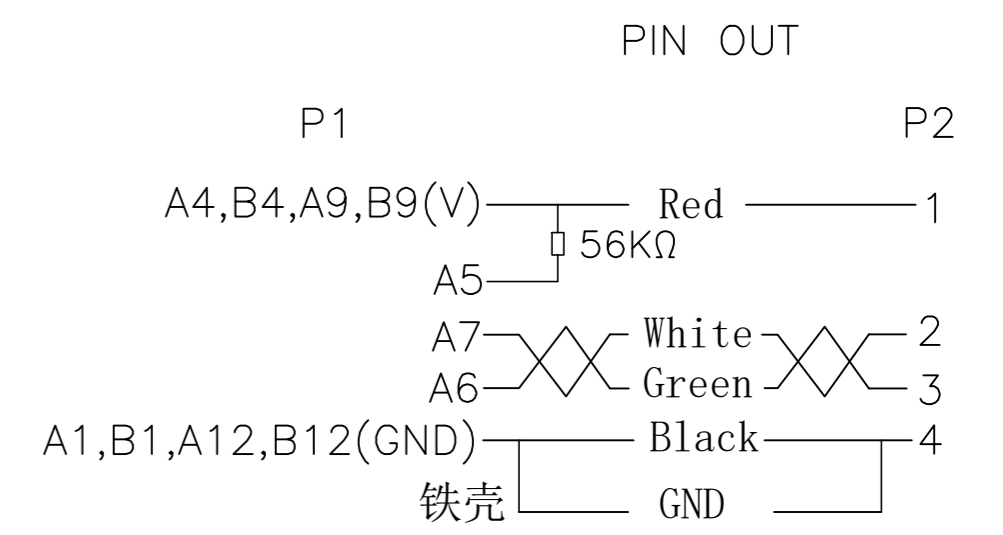
IM: HXUSB-023-I  
OM: HXUSB-024-0

IM: HXUSB-015-I  
OM: HXUSB-022-0

P/N	L±L1
1M	1000±20
1.8M	1800±30

ELECTRONIC TEST:

- A.OPEN/SHORT/INTERMITTENCE: 100%.
- B.HI-POT: AC 300V 0.01S
- C.INSULATION RESISTANCE:DC300V 0.01S 10MΩ(MIN)
- D.CONDUCTIVE RESISTANCE:5 OHM (MAX)



NO	NAME	SPECIFICATIONS	Q'TY	UNIT
⑥	DUST CAP	TYPEC DUST CAP	1	PCS
⑤	MOLDED	45P Black PVC	13	G
④	MOLDED	LD-PE	4	G
③	CONNECTOR	USB2.0 B Male:Iron shell nickel plated, Pin Gold Plated	1	PCS
②	CONNECTOR	USB2.0 TYPEC Male: Stretched Iron Shell Nickel Plated,Pin Gold Plated,UP pull 56K	1	PCS
①	CABLE	UL2725 30#(7/0.10BC)*1P+26#(7/0.16BC)*2C+AL-   FOIL+D(1/0.254BC)   +BRAID(64/0.12LMS)BLACK PVC JACKET OD:4.5   ±0.2MM E***** AWM 2725 80°C 30V VW-1	L	MM

PROJ:	TOLERANCE: XX= XXX=
SCALE: NONE	REV: A
UNIT: MM	SHEET: 1/2
SUST APPROVED:	
APPROVED: Emil Olsen	
CHECKED:	
DRAWING: 2022.07.06	

PROUCT NAME: USB2.0 TYPEC M to B Male

PART NO:

CUST: