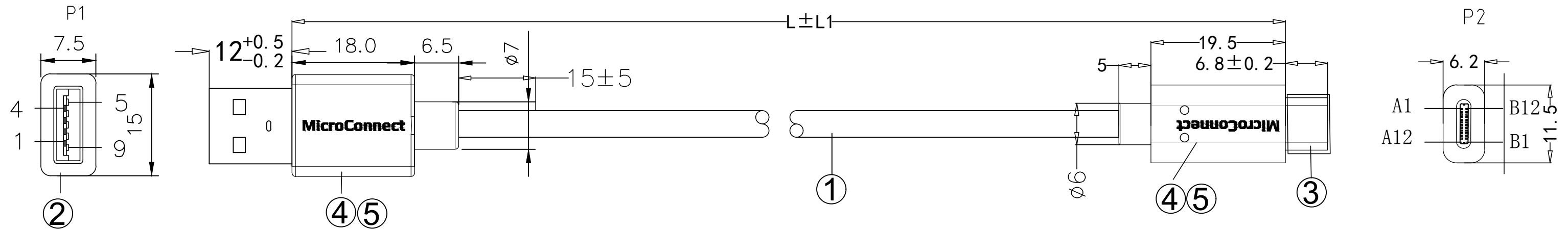


RoHS compliant

REV	MODIFICATION	DATE
A	ISSUE	2021.01.12

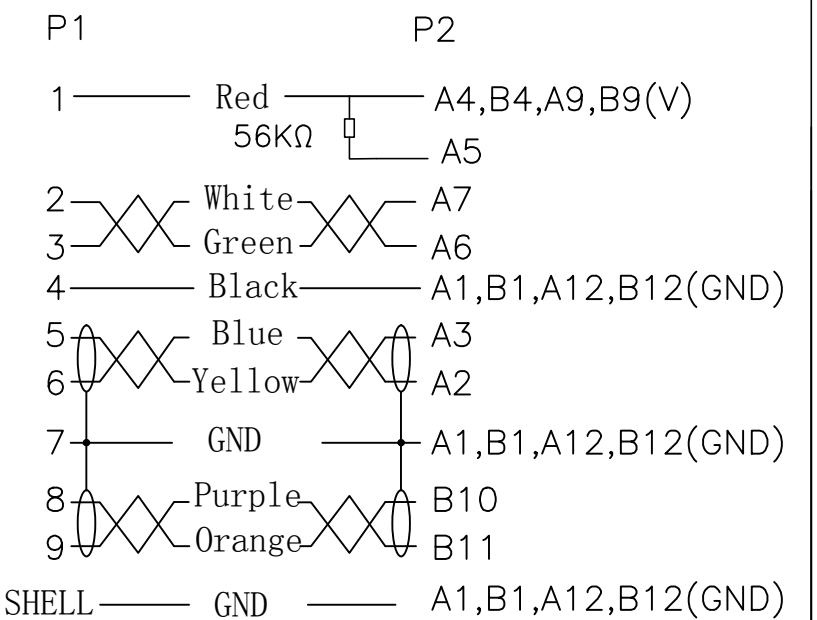


	Name	L±L1
	USB3.2CA0.25	250±20
	USB3.2CA1.5	1500±30

A. Electronic Tests:

- A. Open/Short/Intermittence: 100%
 - B. Hi-Pot: AC 100V 0.01S 1mA
 - C. Insulation Resistance: DC 100V 0.01S 5MΩ Min
 - D. Conductive Resistance: 2Ω Max
- B. USB READ WRITE TEST: (GEN2 1M) : (READ) 300MB/S (min), (WRITE) 300MB/S(min);

PIN OUT



⑥	Dust Cap	USB C Male Dust Cap	1	PCS			
⑤	MOLDED	45P Black PVC	13	G	PROJ:	TOLERANCE: XX= XXX=	PROUCT NAME: USB-C to USB-A Cable
④	MOLDED	LDPE	5	G	SCALE: NONE	REV: A	PART NO:
③	CONNECTOR	USB3.1 C TYPE Pin Gold Plated shell Nickel Plated+PCBA Up Pull Resistor +56KΩ	1	PCS	UNIT: MM	SHEET: 1/2	CUST: EET Group A/S
②	CONNECTOR	USB3.0 A Male Pin Gold Plated Blue Insulation Shell Nickel Plated	1	PCS	SUST APPROVED:		
①	CABLE	[(7/0.10TC)*1P+D(7/0.10TC)+AL+ML]*2+(7/0.10TC)*1P+24#(7/0.2TC)*2C +D(1/0.254BC)+B(64*0.12AL-MG) Black PVC Jacket OD:4.5±0.2MM Marking : E***** AWM STYLE 20276 80°C 30V VW-1 SUPER HIGH SPEED USB Revision 3.1	L	MM	APPROVED: Emil Olsen		
NO	NAME		Q'TY	UNIT	CHECKED:	DRAWING: 2021.01.12	