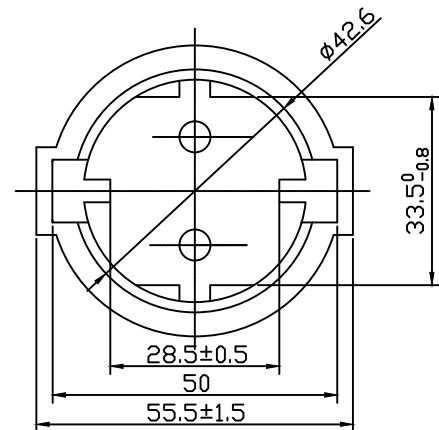
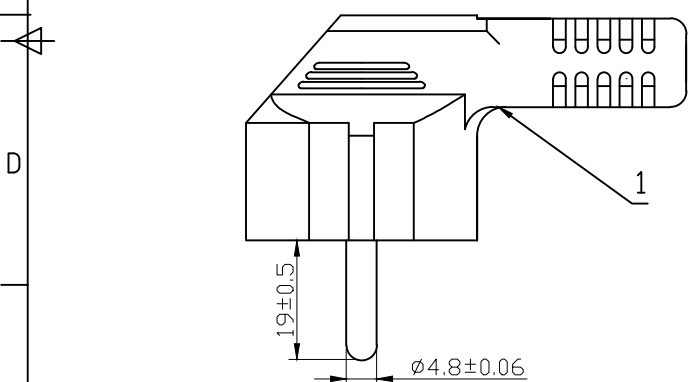
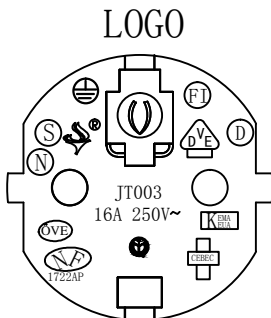



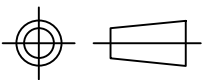
No.	Model Number	Model specification	Remarks
1	PE140300	H05VV-F 3x1.5mm ² *3m	Black
2	PE140500	H05VV-F 3x1.5mm ² *5m	Black
3	PE141000	H05VV-F 3x1.5mm ² *10m	Black
4	PE140300W	H05VV-F 3x1.5mm ² *3m	White
5	PE140500W	H05VV-F 3x1.5mm ² *5m	White
6	PE141000W	H05VV-F 3x1.5mm ² *10m	White
7	PE142000	H05VV-F 3x1.5mm ² *20m	Black



Notes:

1. Cable:H05VV-F 3G1.5mm²Jacket $\phi 7.9 \pm 0.1$ Conductor 48*0.198
2. Mark: <VDE>H05VV-F 3G1.5mm² SHANGYU JINTAO ELECTRON CO., LTD
3. Test:Hi-pot:Inner Voltage AC2500V/1S External Voltage AC4500V/1S current leakage 1mA,insulation resistance no less than 50M Ω ,no strike out;



5.		ACCORDING	DIN VDE 0620 - 1		MATERIAL	PVC	
4.					RATED	16A 250V ~	
3.	GZF3-16	DRAWER		EDITION	A4	Dr.No.	
2.	H05VV-F 3G1.5	REVIEW				COLOR	
1.	JT003 Plug to the European standard	APPROVE	Zhang	2019-7-8		ALL DIMENSIONS IN mm	
PART	DESCRIPTION	DO NOT SCALE	DATE				