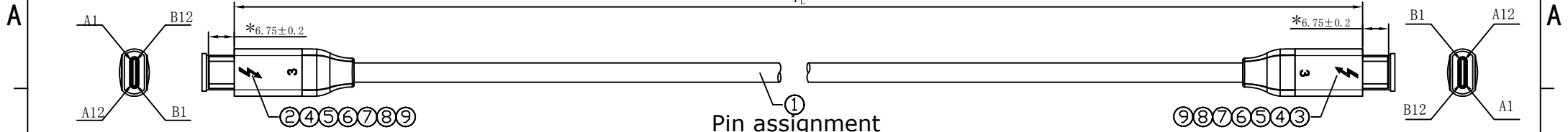
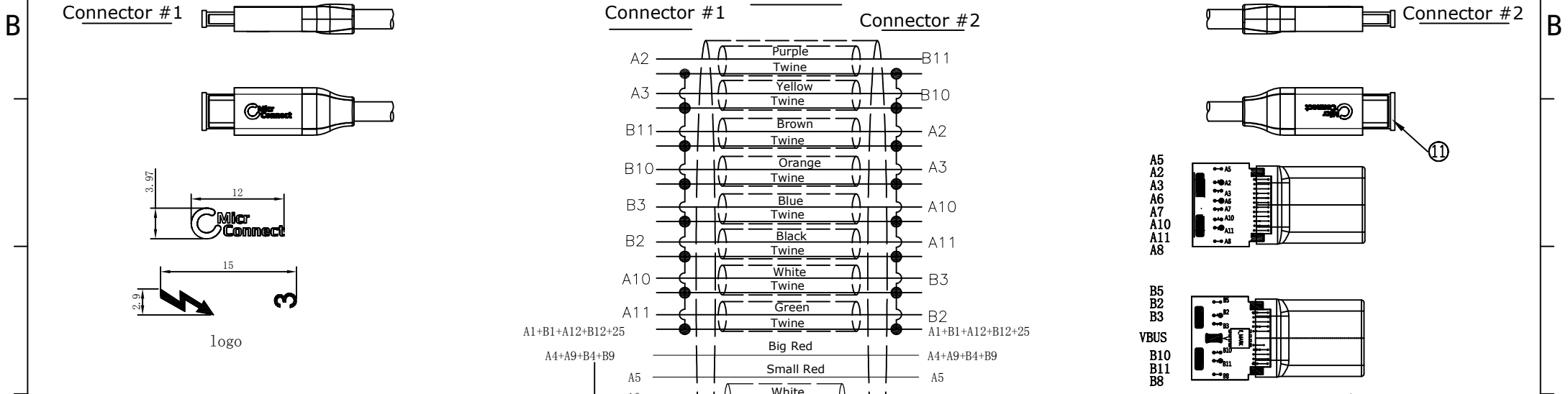


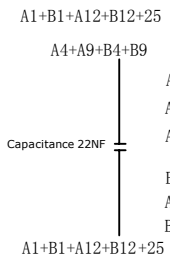
RoHS Compliant



Pin assignment



Test standard: (HB8000)  
 1. 100% Open & Short Test.  
 2. Withstand voltage: (DC) 300V 0.1s  
 Insulation resistance: 10M ohms (minimum)  
 3. Withstand voltage: (AC) 100V 1.00mA  
 4. On-resistance: 1.2 ohms (max)  
 5. Voltage drop test: 20V/5.00A, VBUS: 0.5V, GND: 0.25V.  
 Remarks: Use computer and hard disk to measure write: above 1900M/S, read: above 2500M/S.  
 Note: mark with '\*' is the key control size



Part No.	Finish Pro. Len.(L)	Cutting cable len.	Cutting jacket len.	Cutting Mylar len.
TB3005	500±20	500±5	10±1	4-5
TB3010	1000±20	1000±5	10±1	4-5
TB3020	2000±30	2000±5	10±1	4-5

9	Copper foil	Double conductive copper foil	pcs	1
8	Shell	Type-C M Black aluminum shell(internal laser engraving)	pcs	2
7	Tinplate	Type-C one -piece tinplate	pcs	2
6	Cable clamp	Type-C M 3.1 version cable clamp 20PIN T=1.2mm	pcs	2
5	Outer mold	PVC N18P Grey 60P	g	6
4	Inner mold	Low density PE	g	4
3	Connector	USB4 without E-MARK plug, Stretch shell plated with nickel, 15μ gold-plated terminal	pcs	1
2	Connector	USB TYPE C male, stretch nickel plated, terminal15μ, coaxial cable PCB with TBT3 chip	pcs	1
1	Cable	OD:4.8mm(7/0.1S*1C+SP48/0.05T+CU+HM)*8COAX+(7/0.08T*1P+HMAM)*1C, + (7/0.08T*1C+CU+HM) *4C+43/0.1T*1C+F+PAPER+B24/12/0.05T OD:4.80mm PVC (90P) Black Matt	mm	

MANUFACTURE DWG		UNITS	mm	DRAWING	CUSTOMER PART NO.
TOLERANCE UNLESS OTHERWISE		SCALE	1:1	CHKD	DWG NO.
.X	±0.25	DATE	2022.06.16	APPD	PRODUCT NO.
.XX	±0.15	VIEW		VER	MODEL
.XXX	±0.08				
	±0.03				