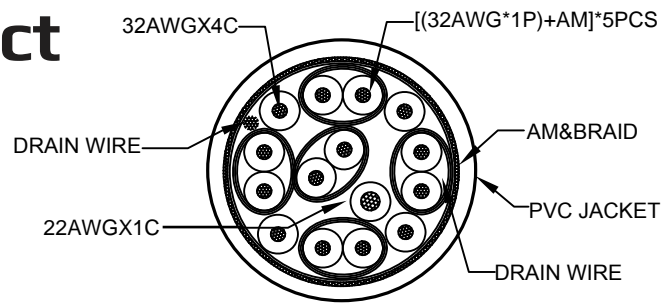
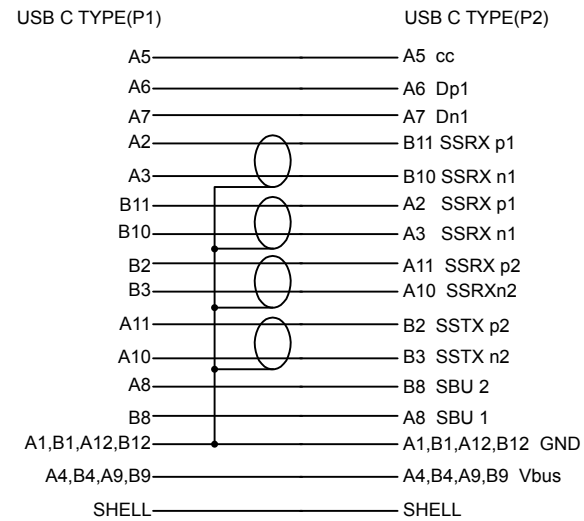


A-A

MicroConnect



PIN ASSIGNMENT:



NOTE:

- 1.Electrical Properties:
- 1.ALL COMPONENTS ARE RoHS COMPLIANT.
- 2.100% OPEN AND SHORT TEST.
- 3.CONDUCTOR RESISTANCE:3 OHMS
- 4.INSULATION RESISTANCE:10 MEGOHMS.
- 5.THE MAIMUM CURRENT IS 3A
- 2.ROHS 2.0 AND REACH

MATERIAL LIST

④	CABLE	(1/0.200B*1P+AL)*5C+1/0.200B*4C+7/0.254B*1C+ADB16/6/0.120AL+PVC OD:5.0±0.15mm BLACK PVC JACKET	L	EET Group A/S					
				DRAW No.	NAME	TYPE C MALE TO TYPE C MALE CABLE			
③	MOLD HOOD	BLACK PVC	2	CUSTOMER		MAPE	TOLERANCE		
②	CONNECTOR	USB3.1 TYPE C MALE,NICKEL PLATED	1	MODEL No.	USB3.1CC3		X.	±1.00	
①	CONNECTOR	USB3.1 TYPE C MALE,NICKEL PLATED	1	APPROVE BY	CHECK BY	DRAW BY	SCALE	MM	
No.	PART NAME	DESCRIPTION	QTY	Emil Olsen			PAGE	1/1	