

LH-2402 24-INCH 1080P ERGONOMIC LCD DESKTOP MONITOR



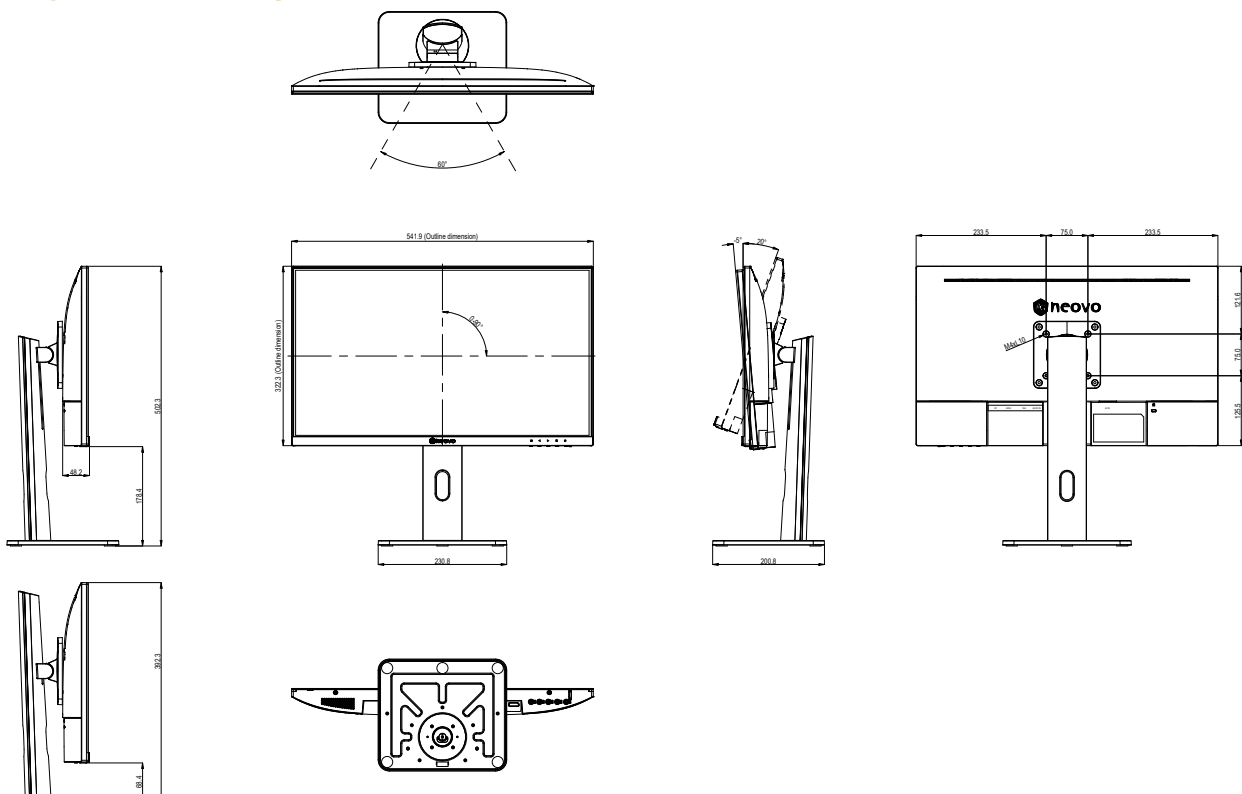
FEATURES

- LED-backlit technology with 1920x1080 resolution
- Full ergonomic stand: including tilt, swivel, pivot and height adjustment
- 3-sided bezel less design for seamless multi-display setups
- Wide Viewing Angle ensures the images being clear in every viewing angle
- Flicker-free backlight and blue light reducer for eye comfort
- Versatile connectivity: DisplayPort, HDMI, VGA
- Built-in 1W speakers
- VESA mounting for flexible installation



The LH-2402 is a 24" Full HD ergonomic monitor with eye care features for desktop daily use at the office and home. It supports tilting the screen from -5 to 20 degrees, or ± 30 degrees swivel the monitor; adjusting the height up to 110mm to reach the eye level or shifting to either portrait or landscape mode. In addition, its flicker-free technology and a blue light filter can ensure a comfortable viewing experience by reducing eyestrain after long periods of use.

TECHNICAL DRAWING



SPECIFICATIONS

Panel

| | |
|---------------------|-------------------------------------|
| Panel Type | LED-Backlit TFT LCD (VA Technology) |
| Panel Size | 23.8" |
| Max. Resolution | FHD 1920 x 1080 |
| Pixel Pitch | 0.275 mm |
| Brightness | 250 cd/m ² |
| Contrast Ratio | 20,000,000 (DCR) |
| Viewing Angle (H/V) | 178°/178° |
| Display Colour | 16.7M |
| Response Time | 5 ms |

Frequency

| | |
|---------------|-----------|
| Frequency (H) | 30-82K Hz |
| Frequency (V) | 50-75 Hz |

Signal Input

| | |
|-------------|------------------|
| DisplayPort | 1.2 x 1 |
| HDMI | 1.4 x 1 |
| VGA | 15-Pin D-Sub x 1 |

Audio

| | |
|-------------------|----------------------------|
| Audio In | Stereo Audio Jack (3.5 mm) |
| Internal Speakers | 1 W x 2 |

Power

| | |
|--------------------|-----------------------|
| Power Supply | Internal |
| Power Requirements | AC 100-240V, 50/60 Hz |
| On Mode | 17W (On) |
| Standby Mode | < 0.5W |
| Off Mode | < 0.3W |

Operating Conditions

| | |
|-------------|--------------------------|
| Temperature | 0°C-40°C (32°F-104°F) |
| Humidity | 20%-85% (non-condensing) |

Storage Conditions

| | |
|-------------|-------------------------|
| Temperature | -20°C-60°C (-4°F-140°F) |
| Humidity | 5%-95% (non-condensing) |

Mounting

| | |
|--------------|------------------|
| VESA FPM/PMI | Yes (75 x 75 mm) |
|--------------|------------------|

Stand

| | |
|-------------------|------------|
| Tilt | -5° to 20° |
| Pivot | 0° to 90° |
| Swivel | ± 30° |
| Height Adjustment | 0-110 mm |

Security

| | |
|--------------------------|-----|
| Kensington Security Slot | Yes |
|--------------------------|-----|

Dimensions

| | |
|-------------------------------|---|
| Product with Base (W x H x D) | 541.9 x 502.3 x 200.8 mm (21.3" x 19.8" x 7.9") |
| Product w/o Base (W x H x D) | 541.9 x 322.3 x 48.2 mm (21.3" x 12.7" x 1.9") |
| Packaging (W x H x D) | 651.0 x 470.0 x 168.0 mm (25.6" x 18.5" x 6.6") |

Weight

| | |
|-------------------|------------------|
| Product with Base | 5.0 kg (11.0 lb) |
| Product w/o Base | 2.8 kg (6.2 lb) |
| Packaging | 6.4 kg (14.1 lb) |

Regulation Approval

| | |
|-----------------------------|--|
| Certifications & Compliance | CE, LVD, WEEE, RoHS, REACH, UKCA, FCC, ICES 003, EAC |
|-----------------------------|--|

Accessories

| | |
|----------|--|
| Supplied | HDMI Cable, Power Cord, Quick Start Guide, Warranty Card |
|----------|--|

Optional Accessories

| | |
|------------|---------------------------------|
| Wall Mount | PMK-01, WMA-01, WMK-01 |
| Desk Mount | DMC-01, DMC-02D, DMS-01D, ES-02 |

