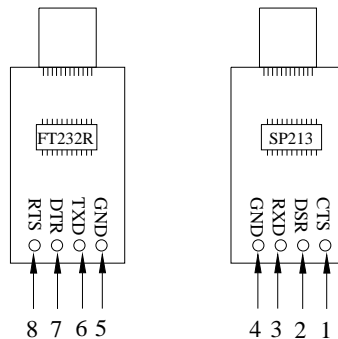
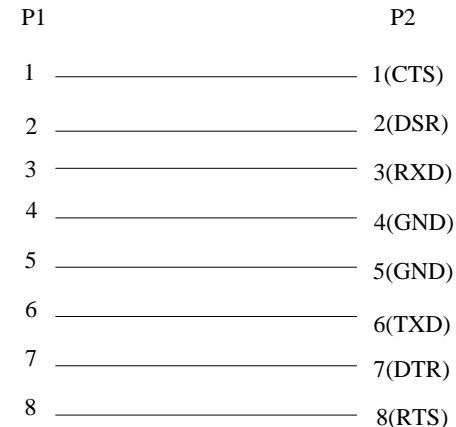


FT232+SP213

TOP BOTTOM



PIN WIRING



NOTES:

- 1.ELECTRICAL TEST:100% OPEN,SHORT&MISSWIRE TEST.
- 2.CONDUCTOR RESISTANCE:2ohm,  
INSULATOR RESISTANCE:10M ohm.
- 3.HIGH VOLTAGE:DC 300V 0.01sec.
- 4.MUST BE ROHS COMPLIANT.

BOM

NO.	Name	SPECIFICATION	Q'TY
5	Connector	RJ45 8P8C MALE	1PCS
4	Molding	PVC 45P BLUE	1PCS
3	Molding	PE	1PCS
2	Connector	FTDI-FT232R+SP213 PCB TYPE C MALE CONNECTOR PLASTIC:BLACK	1PCS
1	Cable	UL20251 28AWG(7/0.12BC)*8C PVC JACKET COLOR:BLUE OD=2.5*8.5±0.2mm L=1800±10MM	1PCS

TITLE	Type C TO RJ45 cable				
	CUSTOMER				
	CUSTOMER'S ITEM				
SCALE	1:1	DRAWN BY	Peter	DATE	2023-05-10
UNIT	mm	CHECKED BY		DRAWING NO.	
REV.	A	APPROVED BY		PL-XX-0460	