

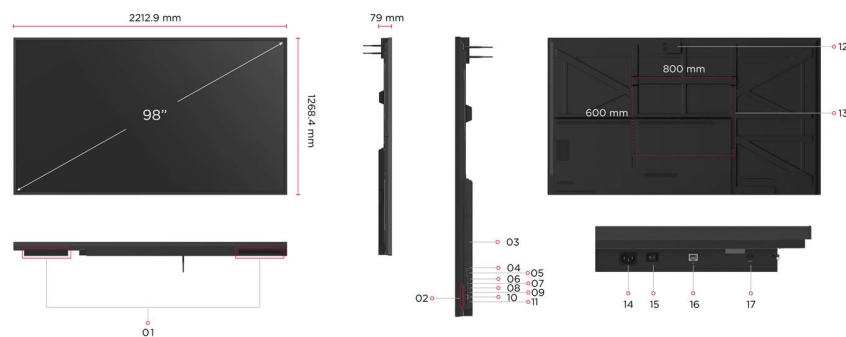
Key Features

- Wireless presentation for upgraded efficiency
- Single cable via USB-C with 65W power delivery
- 24/7 Sustainable video playback for continuous communication
- Remote device management with myViewBoard Manager
- ProAV compatibility with Crestron, Extron, and AMX



Product Description

With stunning 4K Ultra HD resolution, high brightness, and landscape and portrait modes, the CDE30 Series offers continuous and sustainable 24/7 display for both corporate and campus communication. Purpose-engineered for ease of use, the display is equipped with a Quad Core SoC to run multiple operations seamlessly, and its USB-C one-cable solution sorts for effortless connection with external devices. Designed for easy-to-operate continuous multimedia playback, the CDE30 Series offers cable-free screen casting and screen sharing through myViewBoard Display and ViewBoard Cast, which also supports Airplay and Chromecast. Remote management via the intuitive myViewBoard Manager makes changing content, broadcasting, and software updates a breeze. Available in 6 sizes ranging from 43" to 98", complete with daisy-chain compatibility, the CDE30 Series meets and exceeds the communication needs of any campus or corporate spaces.



1. Speaker
2. Control Panel
3. OPS Slot

8. HDMI 1(ARC)
9. HDMI 2
10. HDMI OUT

15. Power Switch
16. LAN
17. SPDIF

4. USB 2.0
5. RS-232
6. USB 3.0
7. USB-C

11. HDMI 3
12. WiFi Slot
13. VESA® Wall Mount (800x600mm)
14. AC IN

Visit Us

www.viewsonic.com

DISPLAY

Panel Size:	98"
Type/ Tech:	TFT LCD Module. ADS type, DLED backlight
Display Area (mm):	2158.848 (H) × 1214.352 (V) (98" diagonal)
Native Resolution:	3840 x 2160
Aspect Ratio:	16:9
Colors:	1.07G (8bits + FRC-)
Brightness:	500 nits (typ.)
Contrast Ratio:	1200:1 (typ.), 5000:1 (DCR enabled)
Response Time:	8ms
Viewing Angles:	H = 178, V = 178 typ.
Backlight Life:	50,000 hours
Surface Treatment:	Anti-Glaire, 3H hardness, Haze 25%
Bezel:	25/25/25/25 mm (L/R/T/B)
Orientation:	Landscape & Portrait

PLATFORM

Processor:	Quad-core ARM Cortex A55
RAM:	4GB
Storage:	32GB

INPUT

HDMI:	2.1x3 (3840x2160 @60Hz, HDMI 1 support ARC)
RS-232:	x 1
OPS Slot:	x 1
WiFi Slot:	x 1

OUTPUT

HDMI:	2.0 x1 (3840x2160 @60Hz)
SPDIF:	x 1

LAN

RJ45:	x 1
-------	-----

USB

Type A:	2.0 x 1, 3.0 x 1
Type C:	x1 (DP1.2, PD 65W, USB2.0, 100M ethernet)

SPEAKERS

10W x2

EMBEDDED OS

Android 11

POWER

Voltage:	100-240 VAC +/- 10%
Consumption:	229 W(typ.) < 0.5W(off)

OPERATING CONDITIONS

Temperature (° C):	0 to 40°C
Humidity:	10%-90% RH

OPERATING HOURS

7/24

DIMENSIONS (W X H X D)

Physical (inch / mm):	87.12 x 49.94 x 3.11in/2212.9 x 1268.4 x 79 mm
Packaging (inch / mm):	92.91 x 56.1 x 11.02 in./2360 x 1425 x 280 mm

WEIGHT

Net (lb / kg):	153.0 lbs/69.40 kg
Gross (lb / kg):	199.1 lbs/90.30 kg

REGULATIONS

cTUVus, FCC/ICES003, Energy star 8.0, EPEAT, Mexico NOM , Mexico Energy, EMC/CE , CB, EAC, UkrSEPRO, RCM, LBL, Flicker free, Green BOM, RoHS , ErP, REACH, SCIP, WEEE , Annex I, Annex II, TPCH , Packing waste, CA65

PACKAGE CONTENTS

1. Remote Control with batteries
2. Quick Start Guide
3. Power Cables
4. HDMI cable
5. USB-C cable
6. Wall Mount Screw x 4
7. RS232 adapter
8. Compliance statement