

PS752 Quick Start Guide

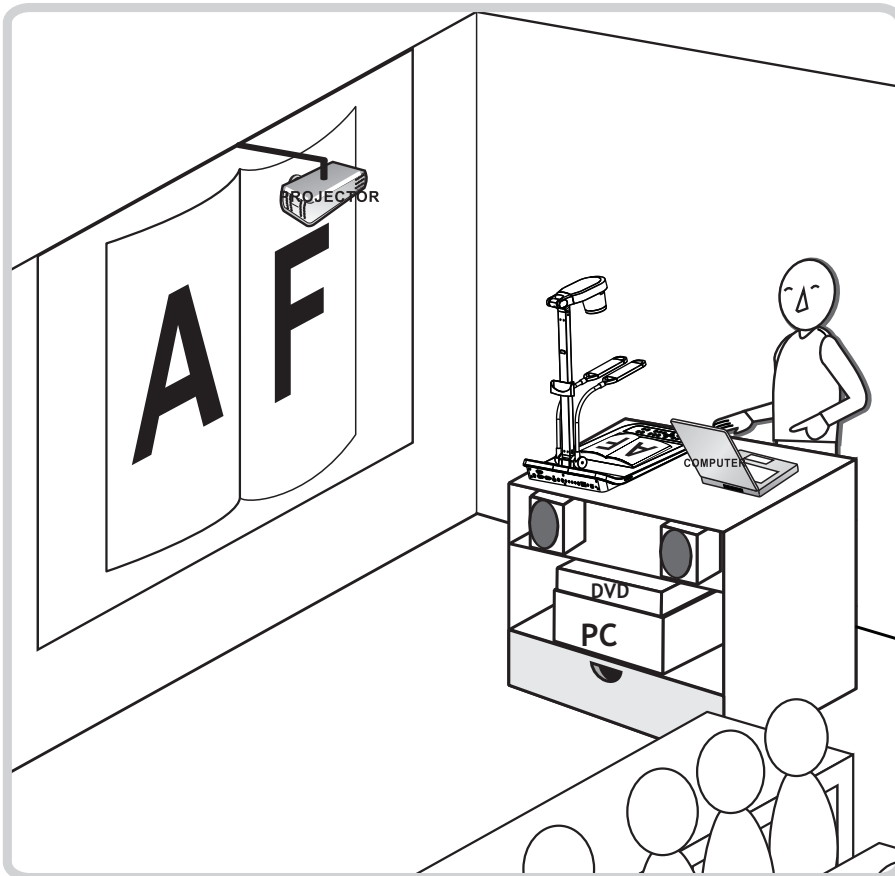
⚠ Important

* Please activate your warranty at www.MyLumens.com/reg

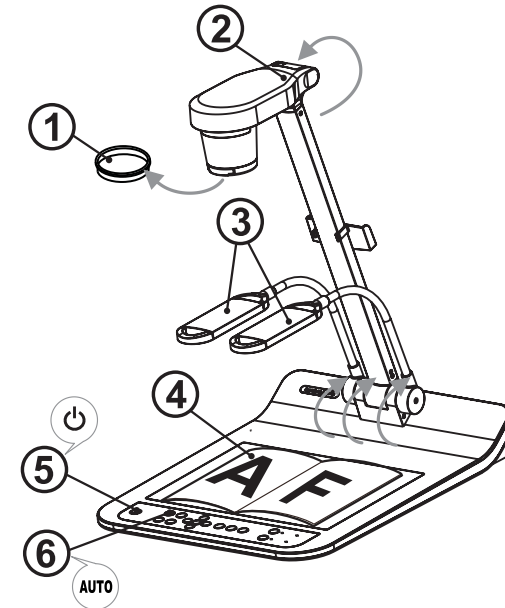
* Please visit our website www.MyLumens.com/goto.htm to download latest version of Software, Multilingual User Manual and Quick Start Guide.


User Condition



* For the installation instruction, please refer to the [2. Installation & Connectoin](#) on the rear side.



1. Getting Started



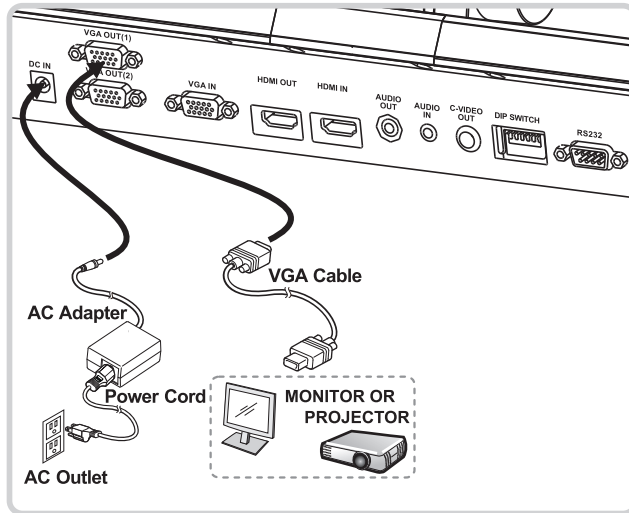
* Please confirm the local voltage and frequency, for example the default 60Hz applicable in the US, Taiwan, Japan, etc., and 50Hz in Europe and other areas. Please set up the DIP SWITCH as in figure on the right ; please see [PS752 User's Manual Appendix 1](#) for the frequency actually used.

- ① Remove the lens cap.
- ② Pull up the camera and the camera arm. The camera should aim at the center of the presenter.
- ③ Pull up the lamp arm and adjust it to appropriate position.
- ④ Place an object to be displayed under the camera.
- ⑤ Turn the power on. 
- ⑥ Press the [AUTO TUNE]  button to optimize the image. You are ready to teach / present.

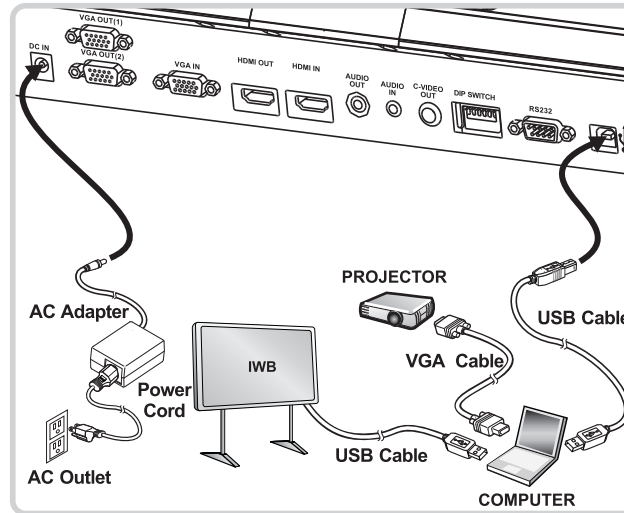
* According to your request, you can adjust the camera head slightly to aim at the center of the documents when the anchor of lens was reached.

2. Installation & Connection

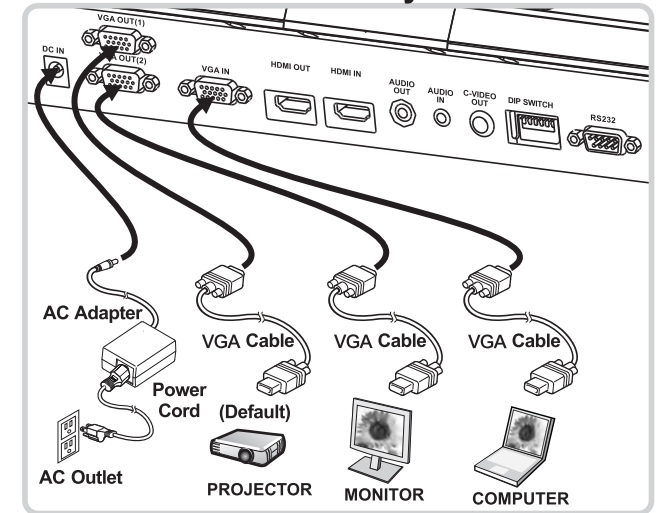
▼ Connect to a Projector or Monitor



▼ Connect to a Computer and Use Lumens' Software or Connect to an Interactive Whiteboard (IWB).

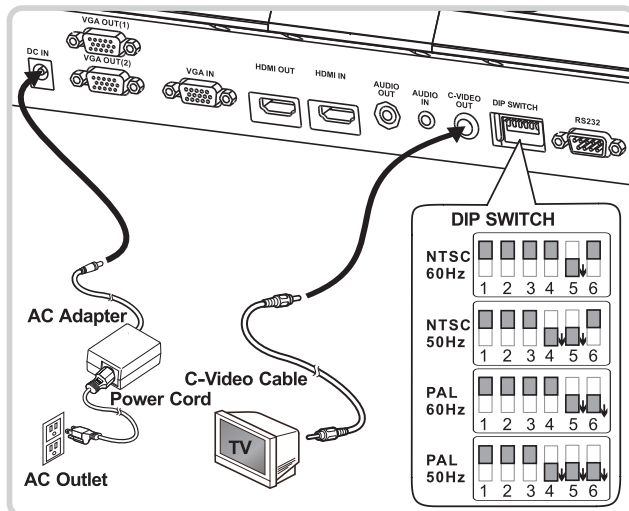


▼ Connect a Projector, Computer and Monitor simultaneously

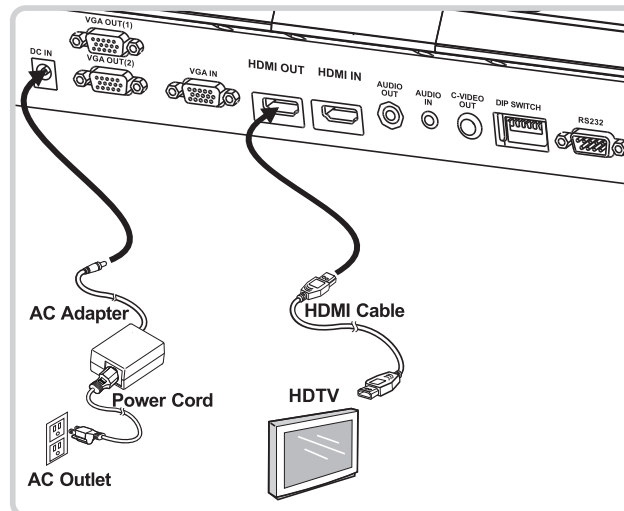


* Driver and software can be downloaded from Lumens website.

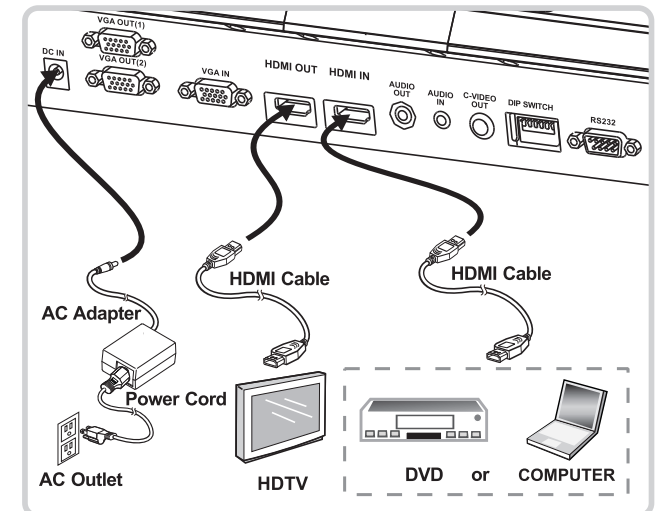
▼ Connect to a TV



▼ Connect to an HDTV



▼ Connect to a Computer or DVD



* NTSC: USA, CANADA, MEXICO, PANAMA, CHILE, JAPAN, TAIWAN, KOREA AND PHILIPPINES.

* PAL: Country / region not listed above.

* Please confirm the local voltage and frequency, for example the default 60Hz applicable in the US, Taiwan, Japan, etc., and 50Hz in Europe and other areas. Please see [PS752 User's Manual Appendix 1](#) for details.

* After the unit is re-started, new DIP switch configuration is effective. Once C-Video is on, VGA is not supported.