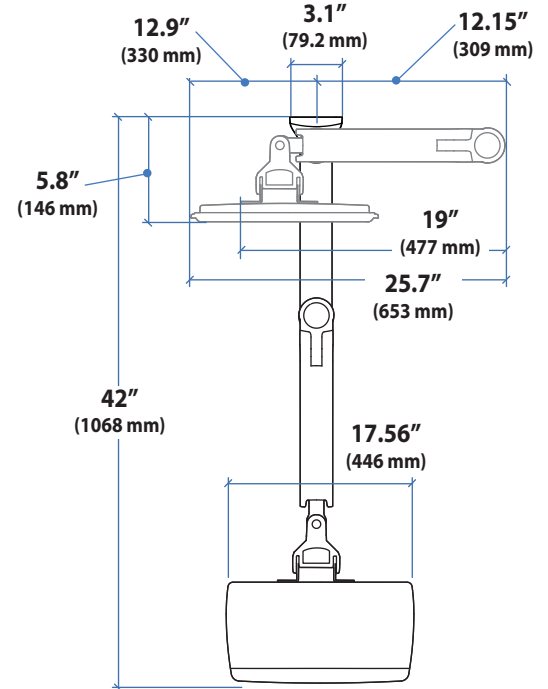
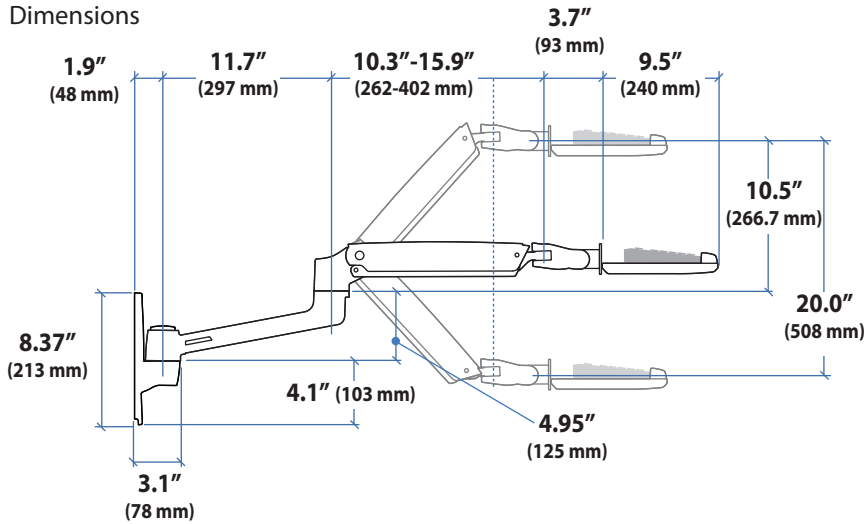


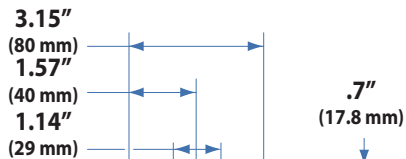
## LX Sit-Stand Wall Mount Keyboard Arm



### Dimensions

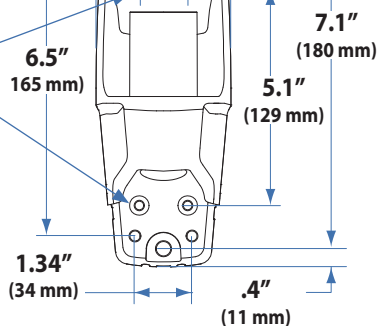


### Wall Mount Bracket

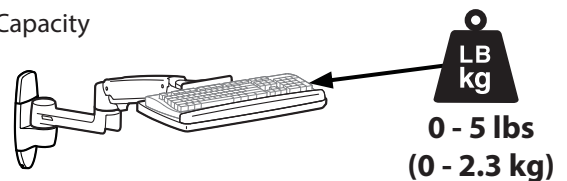


Stud mounting:  
M8 x 80mm or 5/16" x 3"  
and flat washer 8mm or  
5/16" (2 places)

Wall Track mounting:  
Button head cap screw  
#10-24 x 5/8" (4 places)



### Weight Capacity



### Range of Motion

