



imagePROGRAF

TX-4100/TX-3100/TX-2100

Setup Guide

ENGLISH

Read this manual before attempting to operate the printer. Keep this manual for future reference. Furthermore, in order to ensure that this product is used safely, you should always also read the "Quick Guide (separate manual)".

Guide d'installation

FRANÇAIS

Lisez ce manuel avant d'essayer d'utiliser l'imprimante. Conservez ce manuel pour toute consultation ultérieure. De plus, afin de vous assurer que ce produit est utilisé en toute sécurité, lisez également le "Guide rapide (manuel distinct)".

Guia de configuração

PORTUGUÊS

Leia este manual antes de tentar operar a impressora. Guarde este manual para referência futura. Além disso, para garantir que este produto seja usado com segurança, leia também o "Guia rápida (manual separado)".

Guía de configuración

ESPAÑOL

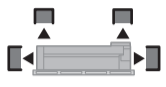
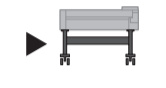
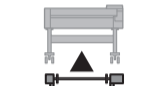

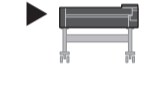
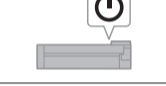
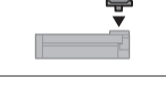
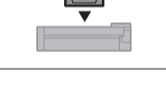
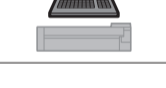

Lea este manual antes de intentar operar la impresora. Conserve este manual a mano para futuras referencias. Además, para garantizar que este producto se utilice de manera segura, siempre debe leer también la "Guía rápida (manual aparte)".



The illustrations in this manual are using the TX-4100 as an example for explanation. Note that your printer may look different from these illustrations in some cases.
The specifications and appearance of this product are subject to change without notice.

Overview of Setup

Set up the printer using the following procedure. Note that if an error message appears during setup or other problems occur, refer to "Responding to Messages" on p. 13.

	1 Removing the Packaging Material	Page 4
	2 Assembling the Printer Stand	Page 4
	3 Attaching the Roll Unit	Page 4
	4 Assembling the Stacker	Page 4
	5 Installing the Printer	Page 4
	6 Turning On the Printer	Page 5
	7 Installing the Ink Tanks	Page 6
	8 Installing the Print Head	Page 8
	9 Selecting the Method of Connecting to Your Computer	Page 10
	10 Installing the Software on Your Computer	Page 11

Loading Paper	Page 12
Storage Location for Accessories and Consumables	Page 12
Printing From a Smartphone or Tablet	Page 12
Displaying the Online Manual	Page 12
Responding to Messages	Page 13

Confirming the Installation Space

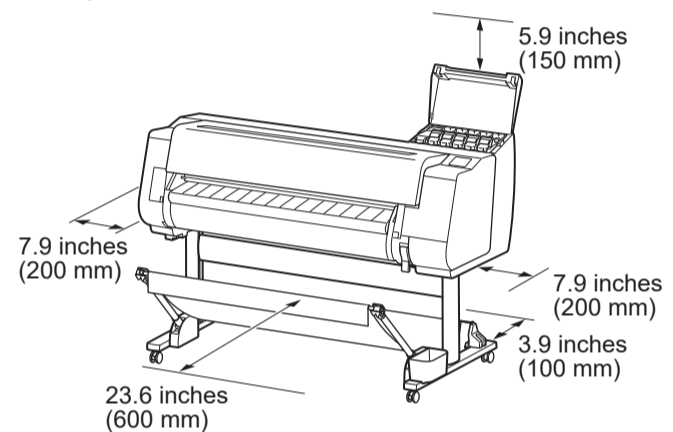
When installing the printer, it is recommended that you secure the following space around the printer.

Important

- The printer stand, roll unit and stacker may be options depending on the model you purchased. Please note that the required space differs depending on whether the options are used or not.
- The space required in front of the printer varies depending on how the basket is used.

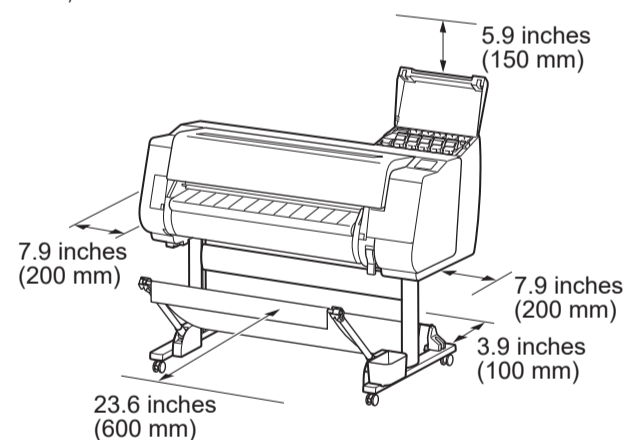
■ TX-4100

Required space (W x D x H)
78.5 x 66.3 x 61.5 inches
1,993 x 1,684 x 1,560 mm



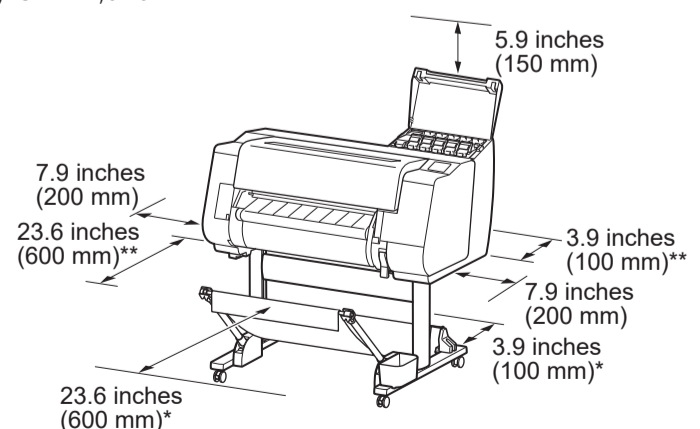
■ TX-3100

Required space (W x D x H)
70.5 x 66.3 x 61.5 inches
1,790 x 1,684 x 1,560 mm



■ TX-2100

Required space* (W x D x H)
59.5 x 66.3 x 61.5 inches
1,510 x 1,684 x 1,560 mm
Required space** (W x D x H)
59.5 x 56.5 x 40.2 inches
1,510 x 1,434 x 1,020 mm



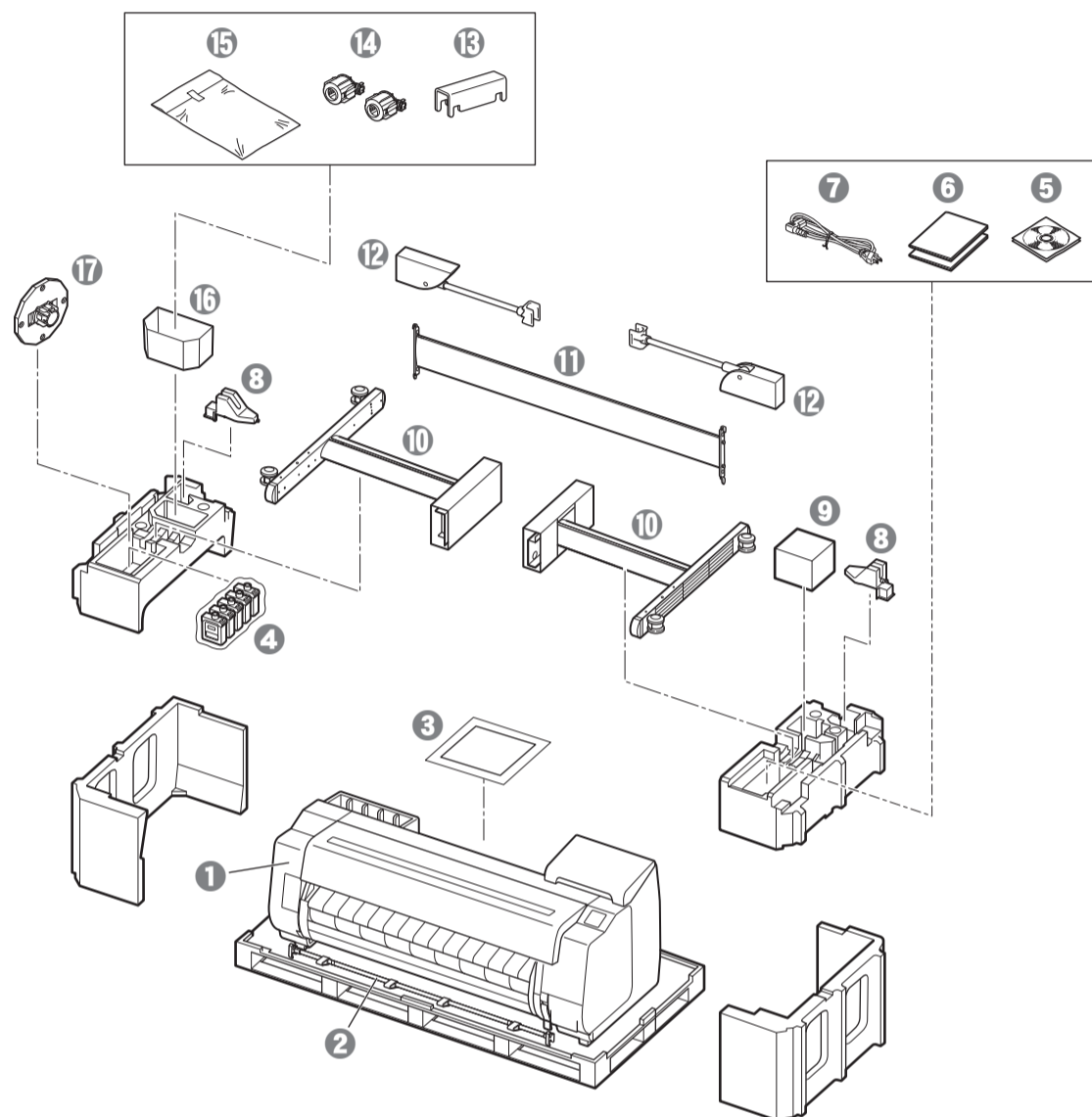
* When using the SD-21 printer stand
** When not using the printer stand

Package Contents

Check that the following included accessories are contained in the package. Note that a cable to connect the printer to a computer is not provided with the printer.

Note

- Although the included accessories also contain items that are not explained in this manual, you should store them without losing any since they will be required when using various functions.
- For instructions on the included items not described in this manual, refer to the Online Manual by following the instructions in "Displaying the Online Manual" on p. 12.



- 1 Printer
- 2 Basket rod / Basket cloth *2
- 3 Setup Guide (this manual)
- 4 Starter ink tanks
- 5 Set of CD-ROMs
- 6 Set of printer documentation
- 7 Power cord
- 8 Rod holder (2 pieces) *2
- 9 Print head
- 10 Stand legs (2 pieces) *1
- 11 Stand stay *1
- 12 Basket arm (2 pieces) *2
- 13 Basket locking support (2 pieces) *2
- 14 3-inch paper core attachment (2 pieces)
- 15 Printer stand mounting bracket set *1
- 16 Accessory pocket *1
- 17 Holder stopper *3

*1 Only included with models where the printer stand is included as standard. Note that it may be packaged in a separate box depending on the region where you purchased the printer.

The items included with the printer stand are described in the Printer Stand Setup Guide.

*2 These items might not be included depending on your region.

*3 This is used when loading roll paper. For details, refer to the Online Manual.

Manuals Included with This Product

Setup Guide (this manual)

Describes how to setup the printer.

Printer Stand Setup Guide

Describes how to assemble the stand. This item might not be included depending on your model.

Quick Guide

Contains information related to warnings for using this product safely and information related to replacing paper, ink tanks, and the print head.

Online Manual (Electronic Manuals)

This manual describes advanced usage of the printer such as paper saving tips, how to print a poster and banner with the supplied software and print quality adjusting method, in addition to the basic instructions for printing on roll paper or cut sheet.

To view the Online Manual, refer to "Displaying the Online Manual" (p. 12).

■ Roll Unit

Provided as an optional accessory.

■ Stacker

Refer to the included setup guides for the respective accessories.

Handling Cautions

Moving the Printer

- Have the following number of people grasp the carrying grips on each side in the base of the printer. The weight may cause pain such as back pain.

TX-4100 (Approx. 211 lb (96 kg))

6 people or more

TX-3100 (Approx. 191 lb (87 kg))

6 people or more

TX-2100 (Approx. 163 lb (74 kg))

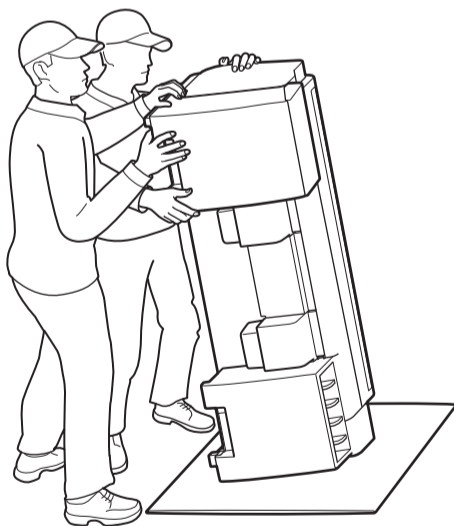
6 people or more



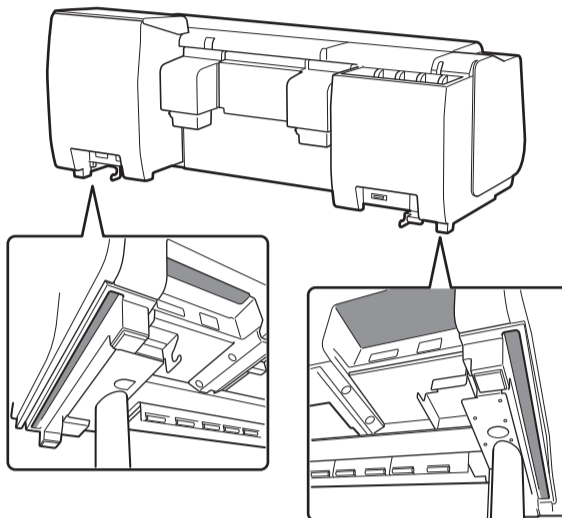
For the TX-4100

Standing Up the Printer

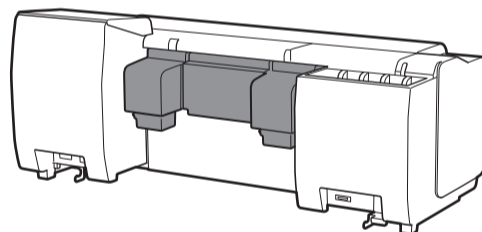
- When standing the printer up, place cardboard or other material underneath to prevent damage and scratching, and make sure the side with the operation panel is up. Furthermore, make sure that the weight of the printer is taken by the corner of the printer. If the weight is taken by any other part of the printer, the printer may become damaged.



- When carrying the printer, firmly grasp the carrying grips on each side in the base (the area shown shaded in the diagram). Holding the printer at other positions is dangerous and may cause injury or damage to the printer if the printer is dropped.



- Do not hold any position other than the carrying grips. In particular, do not hold the plastic parts of the printer rear surface (the area shown shaded in the diagram).

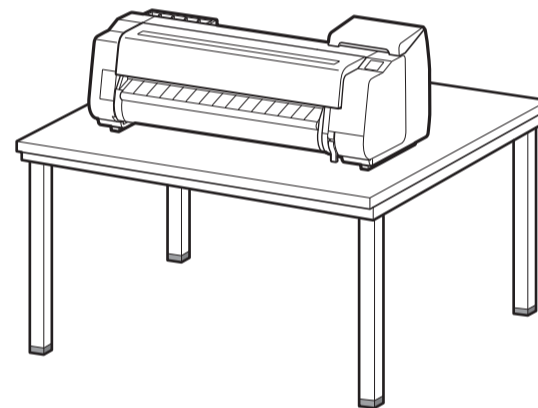


Other

- Do not put the printer down or carry the printer with only the center of the printer supported. This may cause damage to the printer.

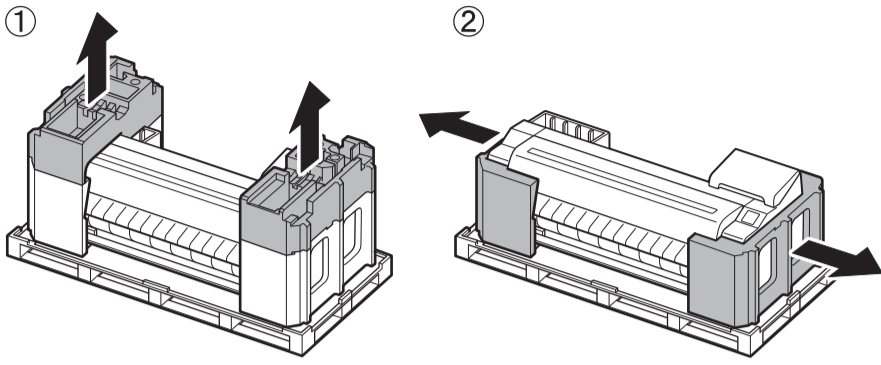


- When setting the printer down temporarily, make sure to put the printer on a flat, stable surface.

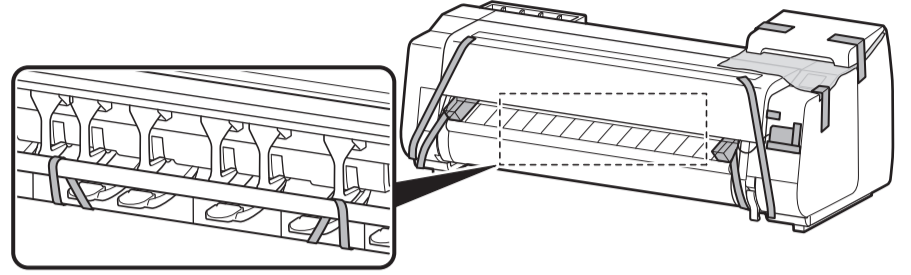


1 Removing the Packaging Material

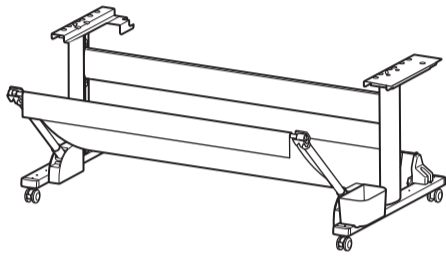
1 Remove the packaging material.



2 Remove all of the tape and other packaging material. Remove the tape affixed to the roll holder.

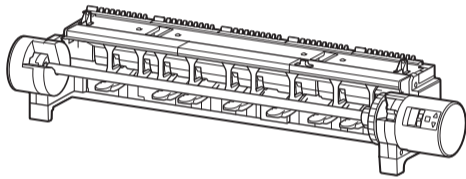


2 Assembling the Printer Stand



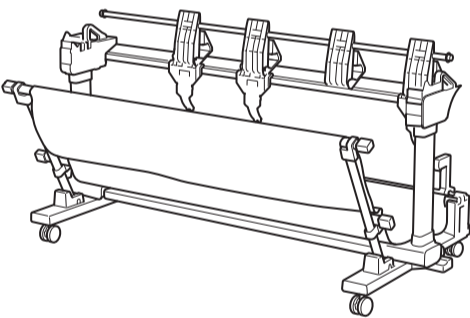
Assemble the stand by referring to the **Printer Stand Setup Guide (separate manual)**. If you are not using the stand, proceed to "5 Installing the Printer".

3 Attaching the Roll Unit



If you purchased the optional roll unit, attach the roll unit by referring to the **Roll Unit Setup Guide (separate manual)**. If you are not using the roll unit, proceed to "6 Turning On the Printer".

4 Assembling the Stacker



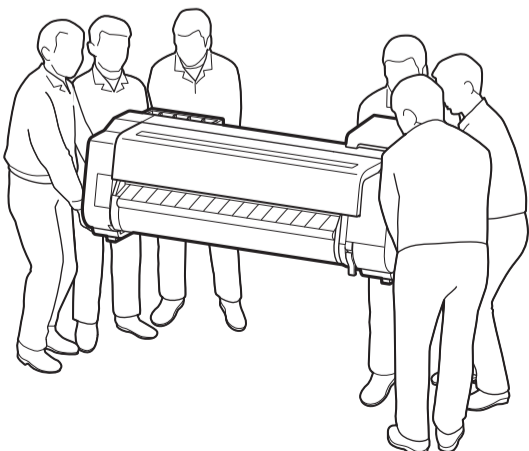
If you purchased the optional stacker, attach the stacker by referring to the **Stacker Setup Guide (separate manual)**. If you are not using the stacker, proceed to "6 Turning On the Printer".

5 Installing the Printer

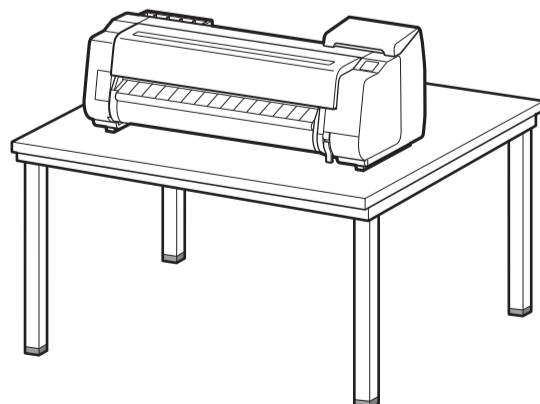
If you are not using the stand, install the printer in a location like the following.

1 Lift up the printer.

- For details on how to carry and the number of people, refer to "Handling Cautions" (p. 3).

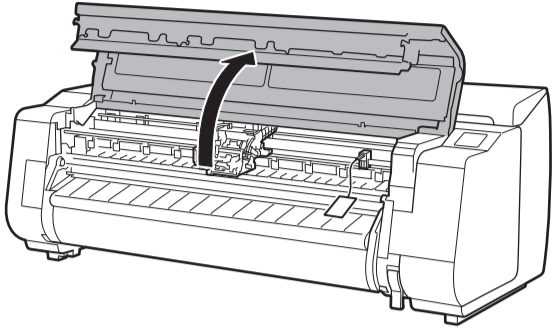


2 Place the printer on a stable flat location.



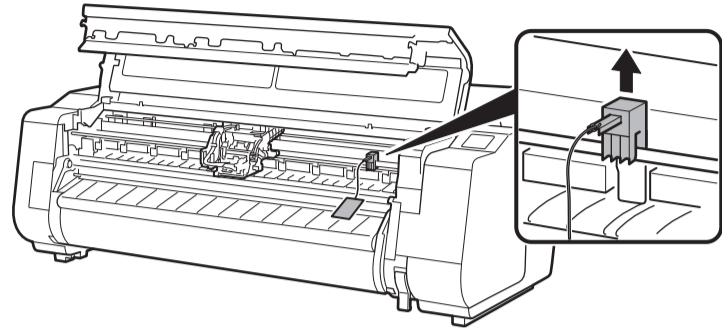
6 Turning On the Printer

1 Open the top cover.



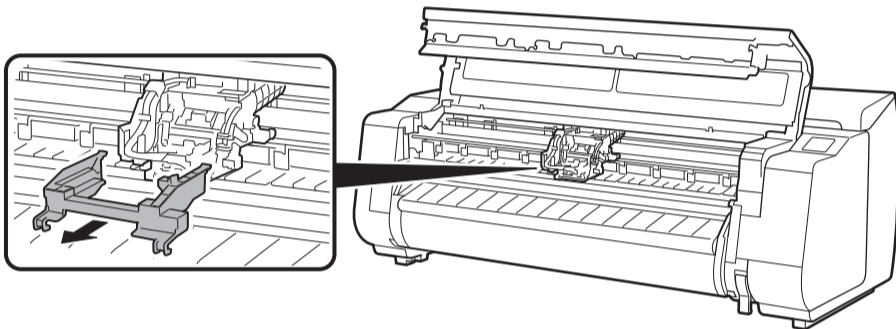
2 Pull up and remove the belt stopper.

- Keep the belt stopper for future use. You will need it in case you move the printer to another location.

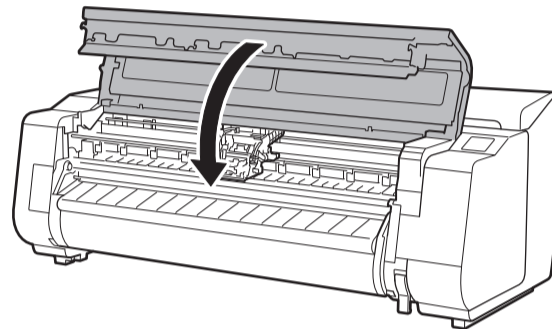


3 Remove the tape and protective material.

- Peel off the tape affixed to the carriage, and then pull the protective material (the area shown shaded in the diagram) towards you and remove it. Remove the protective sheet if there is one attached.



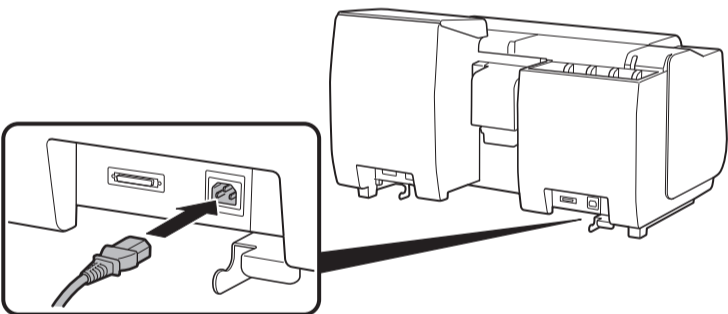
4 Close the top cover.



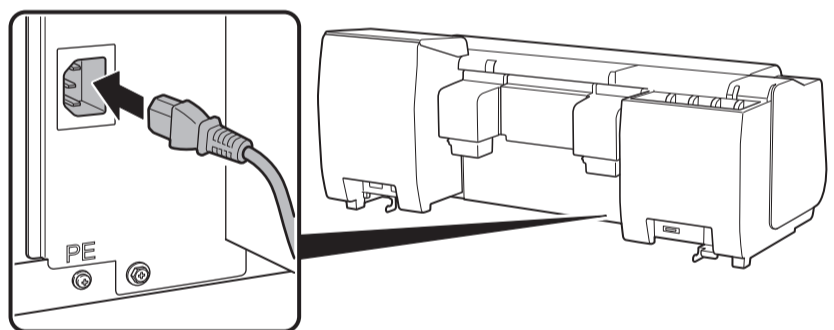
5 Connect the power cord to the printer.

- Insert the power cord into the power connector on the rear of the printer.

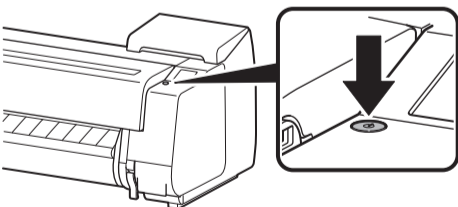
For the TX-2100 / TX-3100



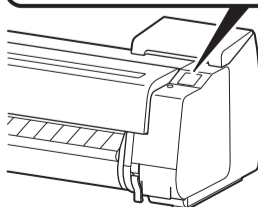
For the TX-4100



6 Plug the power cord into the outlet, and then turn on the printer.



7 When the language selection screen appears on the touch screen, select and tap a language (lightly with your finger, and then move your finger away). Then, if the screen for selecting a time zone appears, select and tap your region.



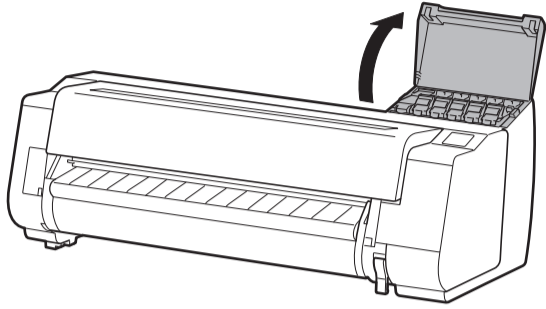
8 When a message prompting you to start the setup appears on the touch screen, tap **OK**.



7 Installing the Ink Tanks

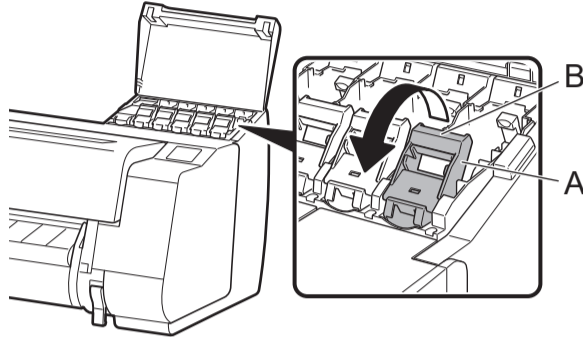
Instructions on ink tank installation are shown on the touch screen. Install the ink tanks as instructed. If the ink tank is cold, allow it to adjust to room temperature before attaching it to the printer.

1 Open the ink tank cover.

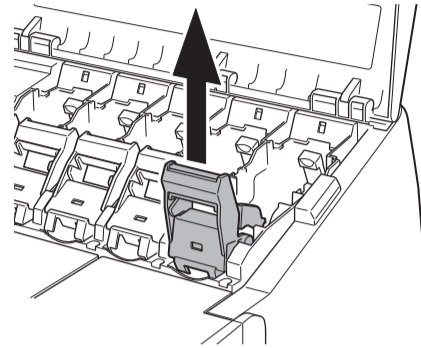


2 Release the ink tank lock lever of the color you are installing.

- While pressing the button at the position (B), lift up the handle part (A) towards you.

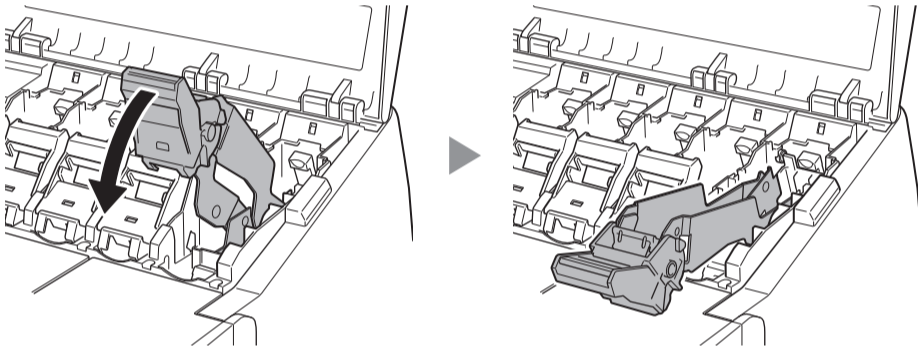


3 With it in this state, pull the ink tank lock lever up.

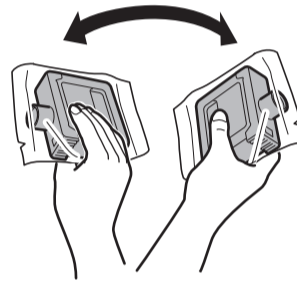


4 Continue pulling until the entire ink tank lock lever is tilted towards you.

- Make sure the ink tank lever stays in this position.



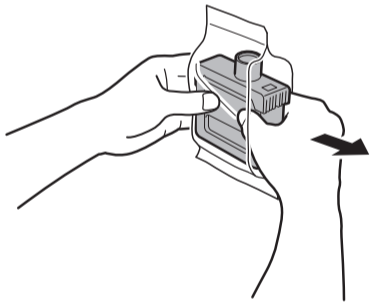
5 Shake each ink tank gently 7 or 8 times before opening its pouch.



Important

- Failure to shake the ink tanks may result in reduced print quality because ink ingredients have settled on the bottom of the tank.

6 Open the pouch and remove the ink tank.



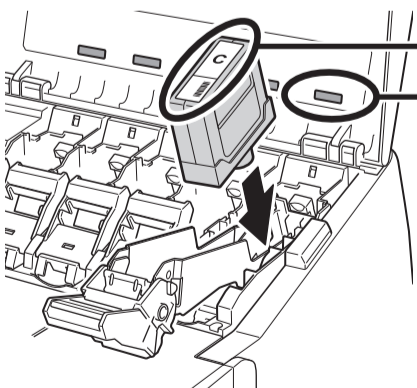
Important

- Never touch the ink holes or metal contacts (the area shown shaded in the diagram). Touching these parts may cause stains, damage the ink tank, and affect print quality.
- Avoid dropping the ink tank after removing it from the pouch. Otherwise, ink may leak and cause stains.
- Do not remove ink tanks to shake them after they have been mounted. Doing so may cause ink to spill.



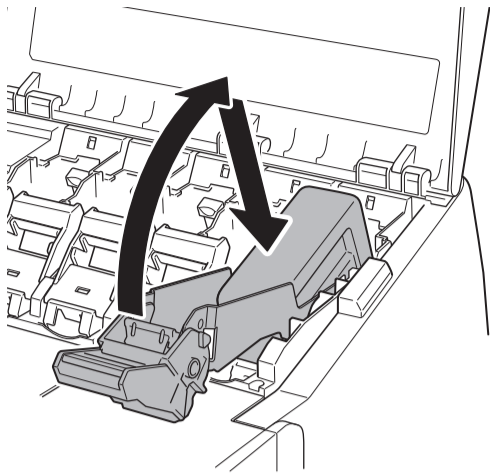
7 Check that the color of the ink tank is the same as the color displayed on the label in the printer, and insert the ink tank into the holder in the orientation shown in the diagram.

- Insert with the ink tank label facing up and ensuring that the text on the label is not upside-down.

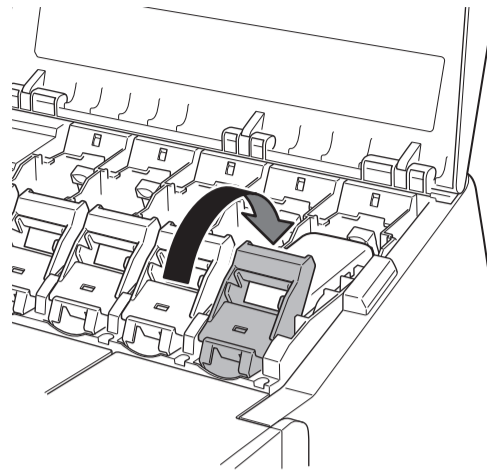


Match the color of the ink tank label to the color of the label in the printer

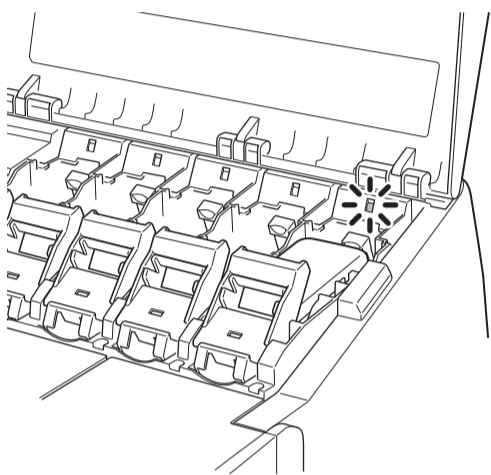
8 Lift up the ink tank lock lever once and then push it down.



9 Firmly push down the handle part of the ink tank lock lever all the way in.



10 Make sure the ink lamp lights red.

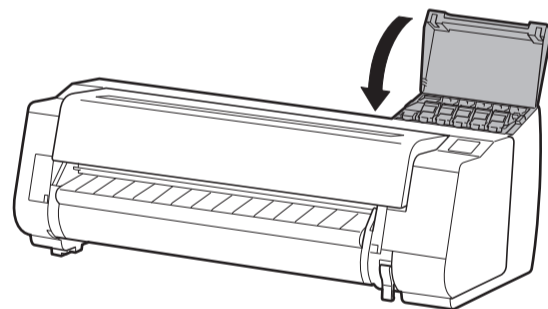


11 Repeat steps 2 to 10 to install each of the ink tanks.

Important

- If the ink lamp does not light, repeat steps 2 to 4 and 8 to 9.

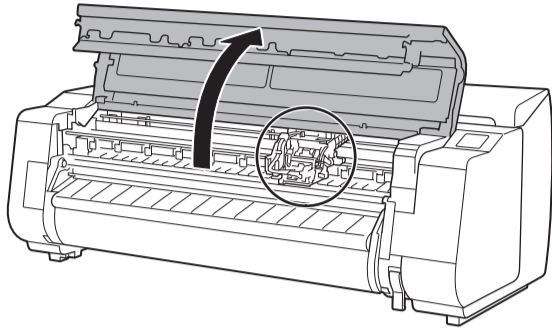
12 Close the ink tank cover.



8 Installing the Print Head

Instructions are now shown on the touch screen regarding print head installation. Install the print head by following the instructions.

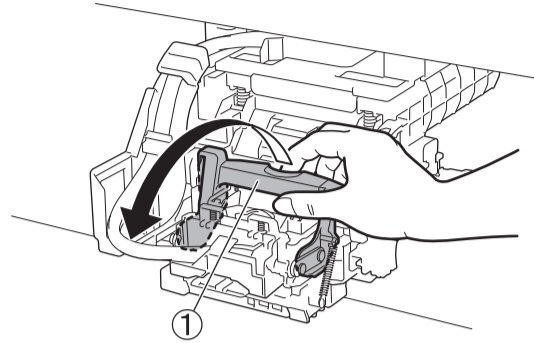
1 Open the top cover.



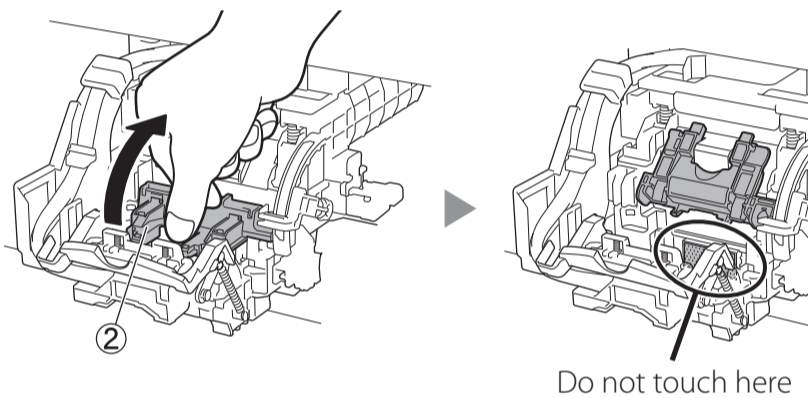
Important

- Do not move the carriage (the area enclosed by a circle in the diagram). If you accidentally move it, temporarily close the top cover and it will return to its original position.

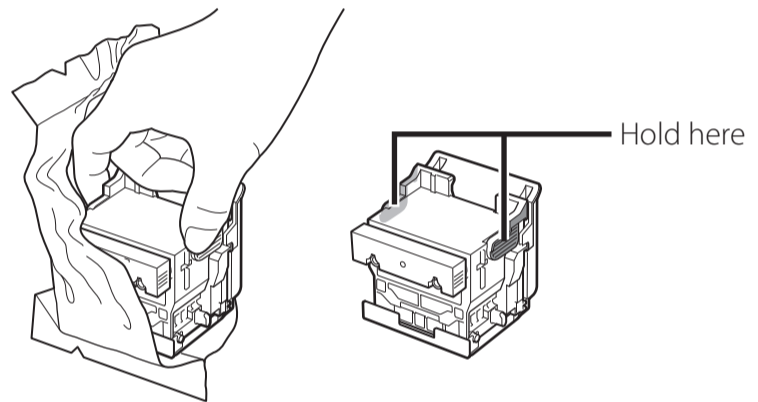
2 Tilt the print head lock lever ① towards you.



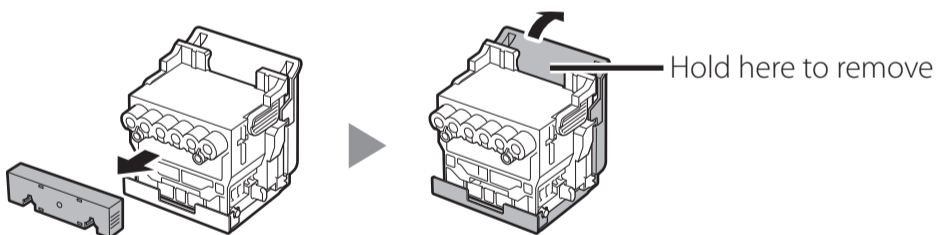
3 Open the print head locking cover ② by following the instructions on the screen and tap **OK**. Do not touch the electrical contacts of the carriage.



4 Grasp the print head as shown in the diagram and remove it from the bag.

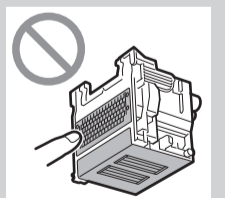
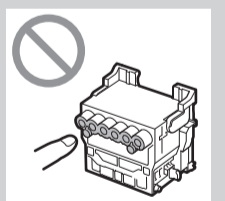


5 Remove the orange protective caps in the order shown in the diagram.



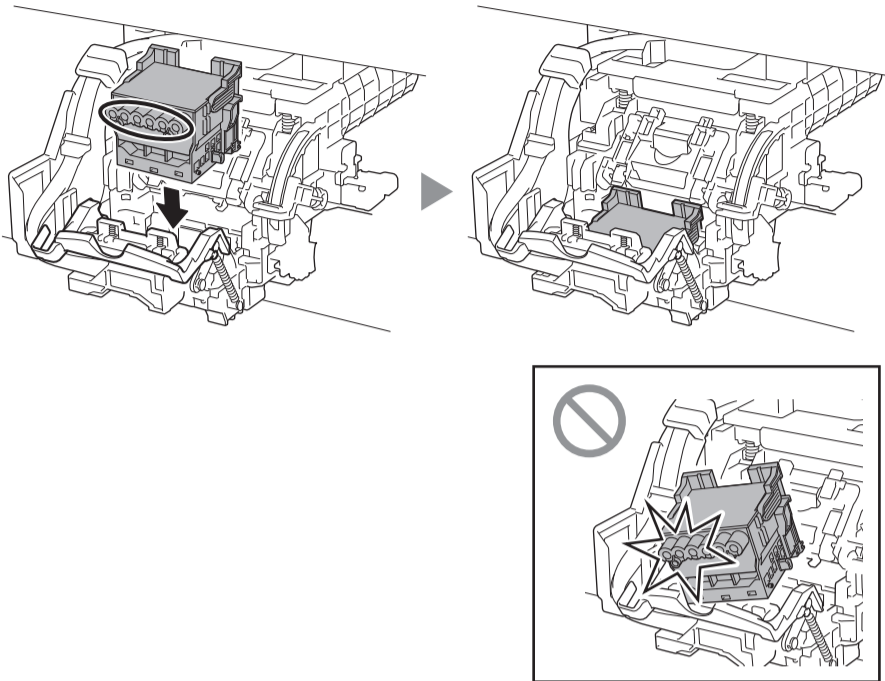
Important

- Do not touch the part that was being protected by the protective cap (part shown shaded in the diagram) under any circumstances. Touching it may cause damage to the print head or printing problems.
- The print head is filled with ink. Be careful to avoid getting your clothes and surrounding items dirty when removing the protective caps. It is recommended that you remove the protective caps above the bag that contained the print head.
- Do not reattach the protective caps after removing them. Furthermore, dispose of them according to local regulations.

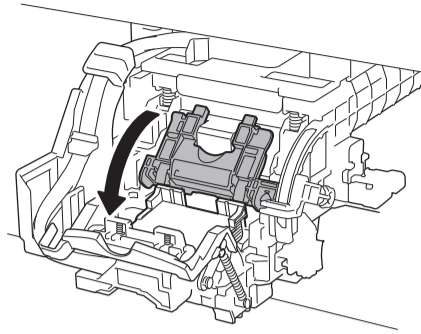


6 Install the print head.

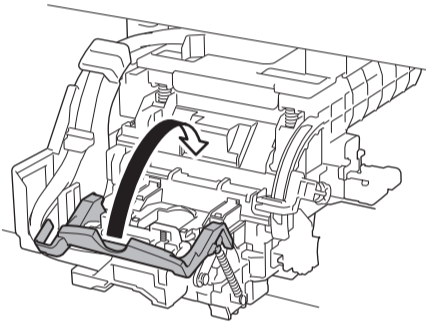
- Align the print head so that the area enclosed by a circle in the diagram is facing you, and carefully push the print head firmly into the printer, ensuring that the part covered by the protective caps does not touch the carriage.



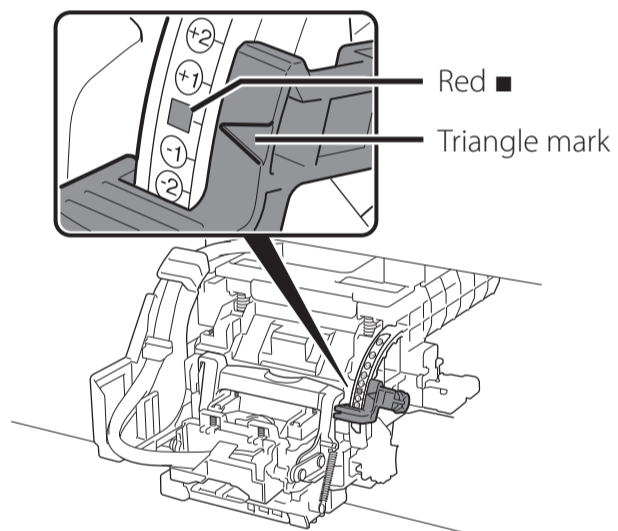
7 Pull the print head locking cover down toward you to lock the print head in place.



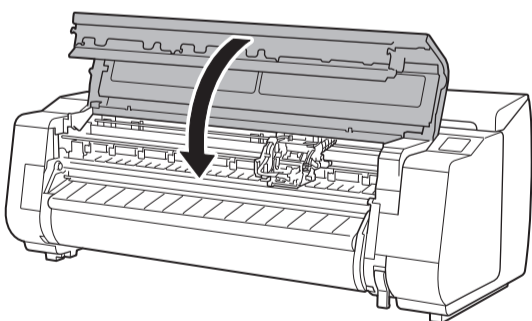
8 Push the print head lock lever all the way to the end.



9 Check that the triangle mark on the angle adjustment lever is aligned with the red ■. If they are not aligned, move the angle adjustment lever up or down to align it with the ■.



10 Close the top cover.

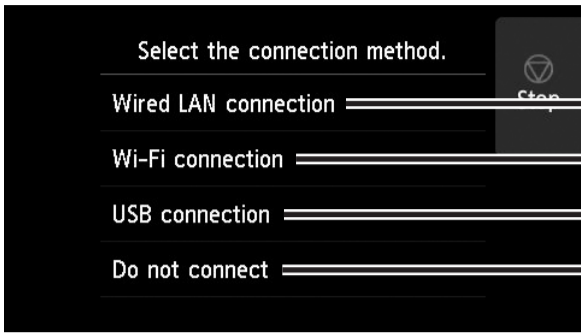


Note

- If the roll unit is installed, the roll unit calibration starts automatically after the print head is attached. If the roll holder is mounted on the roll unit at this time, calibration cannot be executed. Do not mount the roll holder on the roll unit until the setup has finished.

9 Selecting the Method of Connecting to Your Computer

When something like the following is displayed on the touch screen, select the connection method.



Select the connection method.

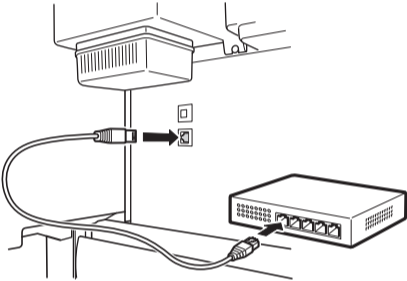
- Wired LAN connection** — Connect the printer to the network using a LAN cable.
- Wi-Fi connection** — Connect the printer to the network wirelessly without using a LAN cable.
- USB connection** — Connect the printer to a computer using a USB cable.
- Do not connect** — Select this such as when connecting using a fixed IP address. The connection settings and software installation will need to be performed separately. Start the settings from the touch screen of the printer.

Wired LAN connection

- 1 Select **Wired LAN connection**. Check the message about the connection method and select **Yes** if there are no problems.

- A message prompting you to connect the LAN cable appears.

- 2 Use the LAN cable to connect the wired LAN connector on the rear of the printer to the hub port.



- 3 Select **OK** and proceed to "Installing the Software on Your Computer" (p. 11).

Wi-Fi connection

- 1 Select **Wi-Fi connection**. Check the message about the connection method and select **Yes** if there are no problems.

- A message prompting you to set up Wi-Fi connection appears.

- 2 Select **Yes** and proceed to "Installing the Software on Your Computer" (p. 11).

- To configure the settings from the printer, select No and proceed to "Configuring Wi-Fi Settings on the Printer Touch Screen" (column below).

USB connection

- 1 Select **USB connection**. Check the message about the connection method and select **Yes** if there are no problems.

- Do not connect the USB cable yet.

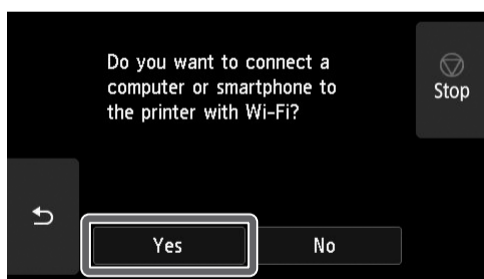
- 2 Select **OK** and proceed to "Installing the Software on Your Computer" (p. 11).

The printer starts charging the ink for the first time* and adjusting the print head. This takes around 25 minutes. Do not open the covers of the printer or turn the power off during this time.

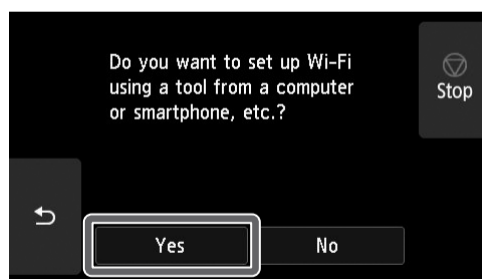
* Charges ink between the ink tank and print head and performs cleaning to keep the printer in optimal condition. This may cause the remaining ink indicator and maintenance cartridge capacity indicator to drop some amount. Since the included starter ink tanks are for initial installation, it is recommended that you purchase replacement ink tanks quickly.

Configuring Wi-Fi Settings on the Printer Touch Screen For Wi-Fi connection


- 1 Check that the following screen appears and select **Yes**.

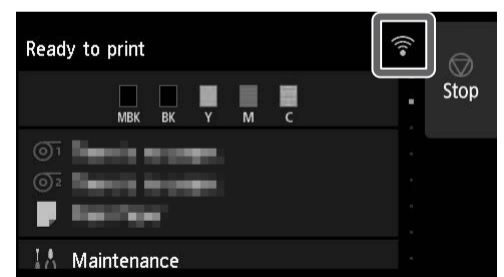


- 2 Check that the following screen appears and select **Yes**.



- 3 Configure the settings by following the instructions on the screen.

- When the home screen appears and  (network) appears, the Wi-Fi settings are complete.



- 4 Proceed to "Installing the Software on Your Computer" (p. 11).

Note

- If any of **Checking the nozzle**, **Preparing the ink system**, or **Cleaning...** is displayed, the printer initial settings are not finished. Wait until the above screen appears.

10 Installing the Software on Your Computer

The printer connection settings and software installation are performed using a computer. You can download the setup file from our website. If you are using a Windows PC, you can also run the file from the CD-ROM.

Downloading from the website (Windows/macOS)

1 Go to the Canon website on your computer.

<https://ij.start.canon/TX-4100>

This is the example input for the TX-4100.

Input the model number of the printer you are using.

2 Click **Download** to download the setup file and then run the file.

- If a warning screen about downloading appears, select **Do not block, Allow**, etc. and then proceed to the next step.

Click **Download** on the computer to which you want to connect the printer.



Booting up from the included CD-ROM (Windows)

■ If you are using Windows 10 or Windows 8.1

1 Insert the setup CD-ROM into the computer.



2 Click the popup message for the disk drive and click **Run Msetup4.exe** on the screen that is displayed.

Note

If the message does not appear (or has disappeared)

- ① Click  or  **File Explorer** on the taskbar.
- ② Click **This PC** on the left side of the window that opens.
- ③ Double-click the  CD-ROM icon on the right side of the window.
- ④ If the contents of the CD-ROM appear, double-click **Msetup4.exe**.

3 If the **User Account Control** dialog box appears, click **Yes** and proceed to the next step.

■ If you are using Windows 7

1 Insert the setup CD-ROM into the computer.



2 When the **AutoPlay** screen appears, click **Run Msetup4.exe**.

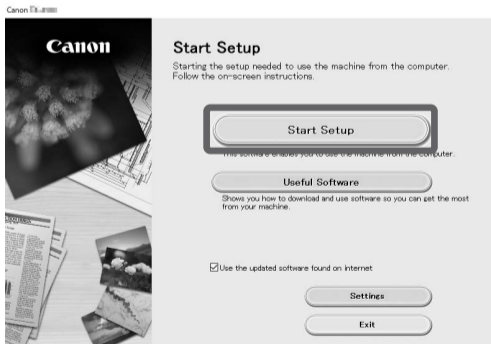
Note

If the **AutoPlay** screen does not appear

- ① Click **Computer** from the start menu.
- ② Double-click the  CD-ROM icon in the right side of the window that opens.
- ③ If the contents of the CD-ROM appear, double-click **Msetup4.exe**.

3 If the **User Account Control** dialog box appears, click **Yes** and proceed to the next step.

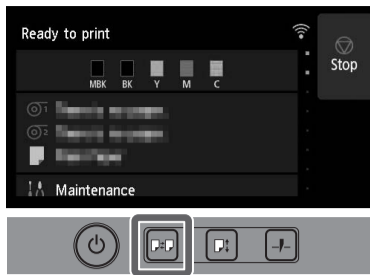
4 Click **Start Setup**. Configure the settings by following the instructions on the screen.




Note

- A screen for selecting the printer connection method may be displayed in the middle of configuring the settings. If this happens, select the method you selected on p. 10 and then click **Next** and continue with the rest of the settings.
- Connect the USB cable to the proper location by following the instructions on the screen.

Loading Paper



1. Press  (Load).
2. Select the paper.
3. Perform the operations by following the instructions on the screen.

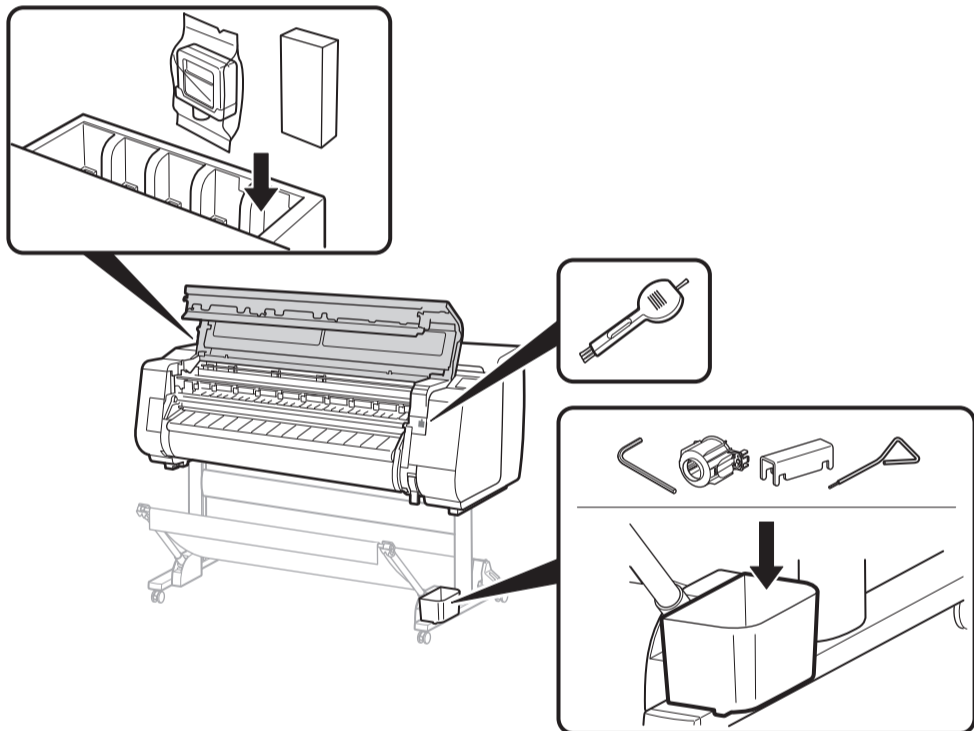
Storage Location for Accessories and Consumables

When you open the top cover, a cleaning brush (for cleaning the interior) is stored on the right side. The accessory pocket can be used to store accessories such as the 3-inch paper core attachment.

You can store spare ink tanks in the spare ink box.

Important

- Do not place a used ink tank.



Printing From a Smartphone or Tablet

With the "Canon PRINT Inkjet/SELPHY" application software, you can easily, wirelessly print photos stored on your smartphone or tablet (running iOS or Android).



iOS

Search for "Canon Print" in the App Store.

Android

Search for "Canon Print" in Google Play.



Note

- You can also download the app by accessing the Canon website from the QR code on the right.



Displaying the Online Manual

The Online Manual describes how to use the printer. It can be accessed from the Canon website as shown below.

1 Access the Canon website by any of the following methods.

- Enter the URL

<https://ij.start.canon>

Select the model number of the printer you are using.

- Scan the QR code



2 Select Read Online Manual.

- Perform the remaining operations by following the instructions on the screen to display the Online Manual.

Trademarks

Windows is a trademark or registered trademark of Microsoft Corporation in the U.S. and/or other countries.

macOS and App Store are trademarks of Apple Inc., registered in the U.S. and other countries.

iOS is a trademark or registered trademark of Cisco in the U.S. and other countries and is used under license.

Android is either a registered trademark or trademark of Google Inc.

Google Play and Google Play Logo are trademarks of Google LLC.

QR Code is a registered trademark of DENSO WAVE INCORPORATED in Japan and in other countries.

Responding to Messages

Error messages may appear on the touch screen of the operation panel when setting up printer. It may not indicate a problem with the printer, and the issue may be easily resolved. Common messages and the causes are listed here with corrective actions. For details on other messages, refer to the Online Manual.

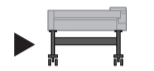
Message	Cause	Corrective Action
The ink tank is not installed. Install the ink tank properly.	There is no ink tank loaded.	Install or reinstall the ink tank. (Refer to steps 1 to 12 on p. 6 and p. 7)
	The ink tank is not firmly installed all the way in.	
Print head cannot be recognized correctly. Open the top cover and install the correct print head.	The print head is not installed.	Install the print head. (Refer to steps 1 to 10 on p. 8 and p. 9)
	Electrical contact failure in the print head.	Remove the print head, make sure that no debris becomes adhered to the electrical contacts on the print head and the carriage, and then reinstall the print head.
Hardware error ECxx-xxxx (x represents a letter or number) Printer error has occurred. Turn the device off, wait a while, and then turn it on again.	The belt stopper or the tape inside the top cover has not been removed.	Turn off the power, open the top cover, and remove the tape and the belt stopper, then turn the power on. (Refer to steps 1 to 4 on p. 5)
	You may have encountered an error that cannot be resolved.	Turn off the printer and wait at least 3 seconds before restoring the power. If the message appears again, write down the error code and message, turn off the printer, and contact your Canon dealer for assistance.
Error ECxxx-xxxx (x represents a letter or number) Printer error has occurred. See the manual and contact the service center.	You may have encountered an error that cannot be resolved.	Write down the error code and message, turn off the printer, and contact your Canon dealer for assistance.

Memo

Procédure de mise en place

Mise en place de l'imprimante à l'aide de la procédure suivante. Veuillez noter que si un message d'erreur s'affiche pendant la configuration ou en cas d'autres problèmes, vous devez vous reporter à "Réponse aux messages", p. 13.

 **1** Retrait du matériau d'emballage Page 4

 **2** Assemblage du socle de l'imprimante Page 4

 **3** Montage de l'unité de rouleau Page 4


 **4** Assemblage de l'empileur Page 4


 **5** Installation de l'imprimante Page 4

 **6** Mise sous tension de l'imprimante Page 5

 **7** Installation des cartouches d'encre Page 6

 **8** Installation de la tête d'impression Page 8

 **9** Sélection de la méthode de connexion à votre ordinateur Page 10

 **10** Installation du logiciel sur votre ordinateur Page 11

Chargement du papier Page 12

Emplacement de stockage des accessoires et des consommables Page 12

Impression à partir d'un smartphone ou d'une tablette Page 12

Méthode d'affichage du Manuel en ligne Page 12

Réponse aux messages Page 13

Confirmation de l'espace d'installation

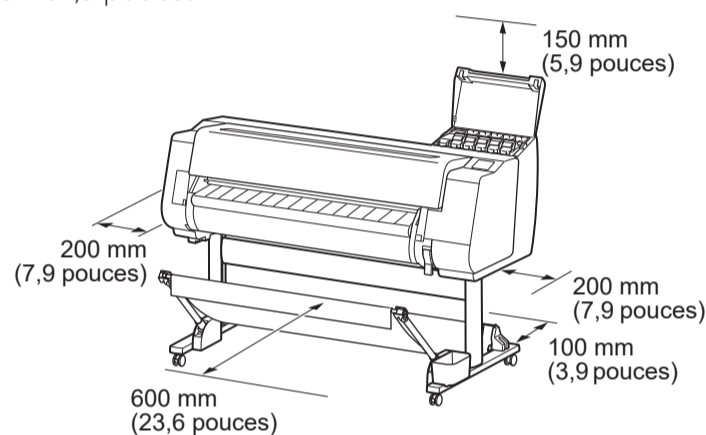
Lors de l'installation de l'imprimante, il est recommandé de laisser l'espace suivant autour de l'imprimante.

Important

- Le socle de l'imprimante, l'unité de rouleau et l'empileur peuvent être des options selon le modèle que vous avez acheté. Veuillez noter que l'espace requis diffère selon que les options sont utilisées ou non.
- L'espace requis devant l'imprimante varie en fonction de l'utilisation du panier.

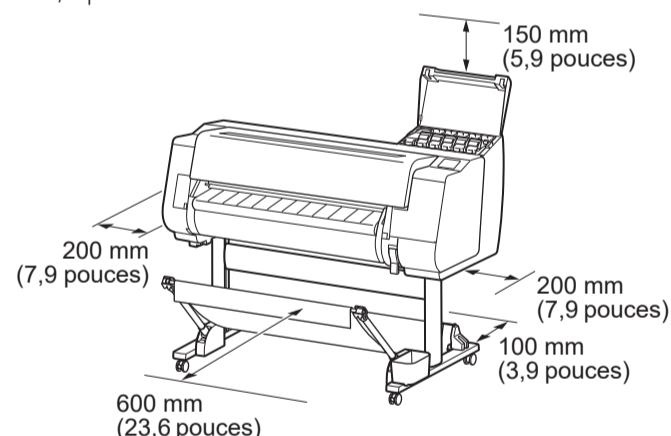
■ TX-4100

Espace requis (L x P x H)
1993 x 1684 x 1560 mm
78,5 x 66,3 x 61,5 pouces



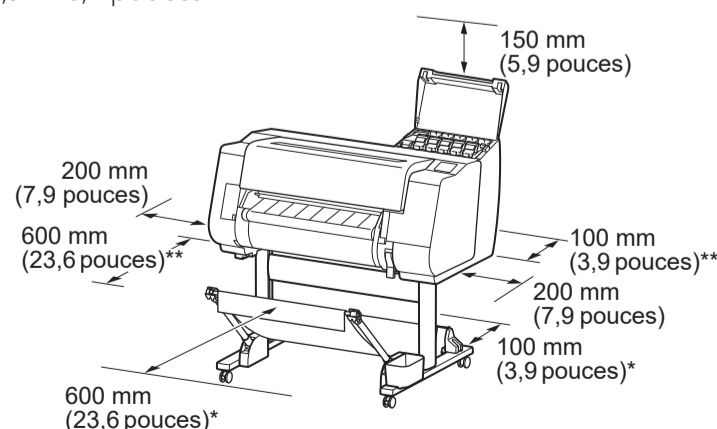
■ TX-3100

Espace requis (L x P x H)
1790 x 1684 x 1560 mm
70,5 x 66,3 x 61,5 pouces



■ TX-2100

Espace requis* (L x P x H)
1510 x 1684 x 1560 mm
59,5 x 66,3 x 61,5 pouces
Espace requis** (L x P x H)
1510 x 1434 x 1020 mm
59,5 x 56,5 x 40,2 pouces



* Si vous utilisez le socle de l'imprimante SD-21

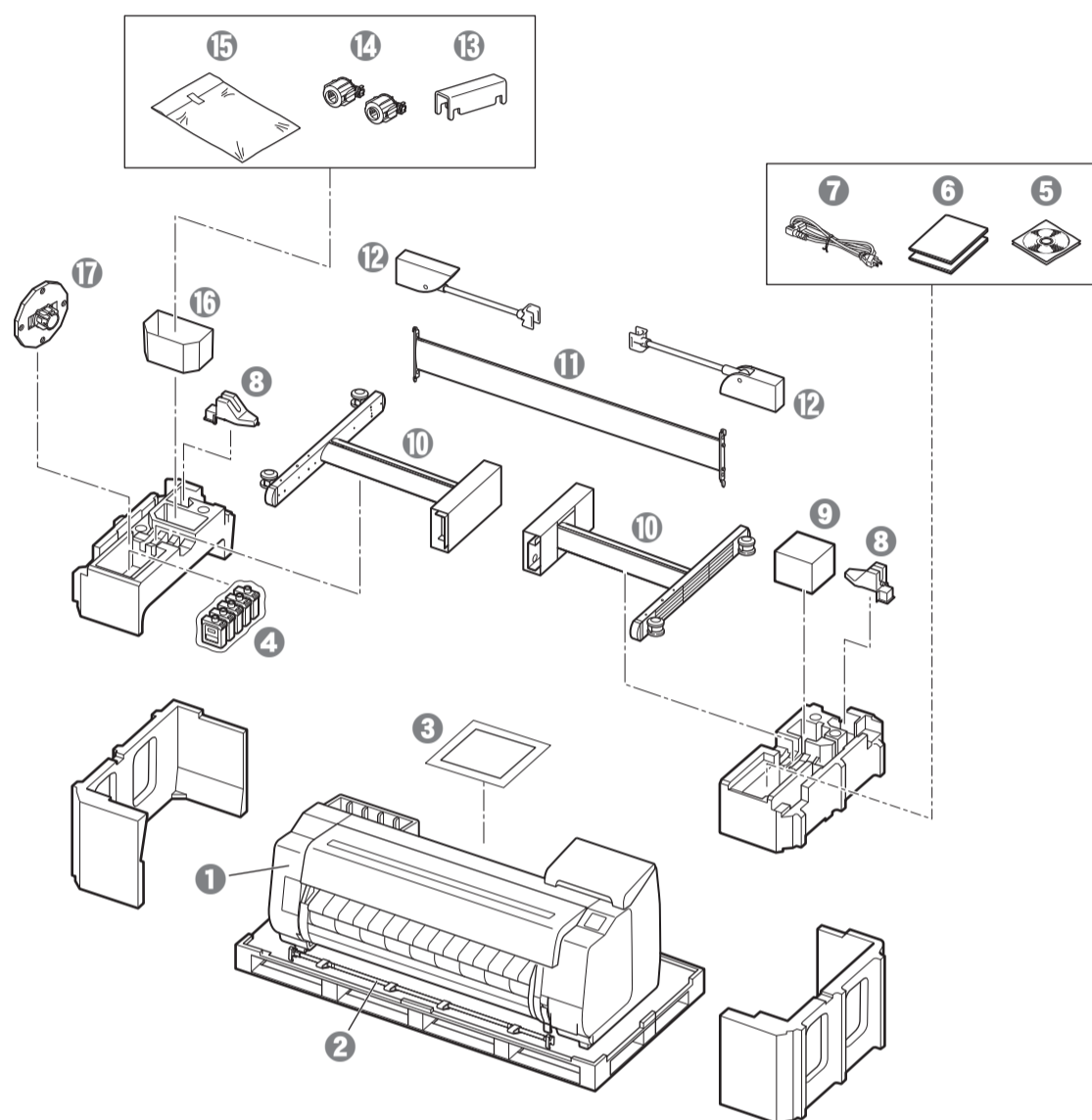
** Si vous n'utilisez pas le socle de l'imprimante

Contenu du colis

Vérifiez que les accessoires inclus suivants sont contenus dans l'emballage. Veuillez noter qu'aucun câble pour connecter l'imprimante à un ordinateur n'est fourni avec l'imprimante.

Remarque

- Bien que les accessoires fournis contiennent également des éléments qui ne sont pas expliqués dans ce manuel, vous devez les ranger sans les perdre car ils seront nécessaires lors de l'utilisation de diverses fonctions.
- Pour des instructions sur les éléments inclus non décrits dans ce manuel, reportez-vous au manuel en ligne en suivant les instructions de la section "Méthode d'affichage du Manuel en ligne", p. 12.



- 1 Imprimante
- 2 Tige de panier / tissu du panier *2
- 3 Guide d'installation (ce manuel)
- 4 Cartouches d'encre de démarrage
- 5 Jeu de CD-ROM
- 6 Ensemble de documentation de l'imprimante
- 7 Cordon d'alimentation
- 8 Support de tige (2 éléments) *2
- 9 Tête d'impression
- 10 Jambes du socle (2 éléments) *1
- 11 Soutien du socle *1
- 12 Bras de panier (2 éléments) *2
- 13 Support de verrouillage de panier (2 éléments) *2
- 14 Fixation du tube à papier de 3 pouces (2 éléments)
- 15 Ensemble de support de montage du socle de l'imprimante *1
- 16 Compartiment accessoires *1
- 17 Butoir du rouleau *3

*1 Fourni uniquement avec les modèles où le socle de l'imprimante est inclus en standard. Veuillez noter qu'elles peuvent être emballées dans une boîte distincte selon la région où vous avez acheté l'imprimante. Les éléments fournis avec le socle d'imprimante sont décrits dans le Guide d'installation du socle de l'imprimante.

*2 Il est possible que ces éléments ne soient pas inclus selon votre région.

*3 Le butoir du rouleau est utilisé lors du chargement du papier en rouleau. Pour plus de détails, reportez-vous au Manuel en ligne.

Manuels fournis avec ce produit

Guide d'installation (ce manuel)

Explique comment configurer l'imprimante.

Guide d'installation du socle de l'imprimante

Explique comment assembler le socle. Il est possible que cet élément ne soit pas inclus selon votre région.

Guide rapide

Contient des informations relatives aux avertissements quant à l'utilisation en toute sécurité de ce produit et des informations relatives au remplacement du papier, aux cartouches d'encre et à la tête d'impression.

Manuel en ligne (manuels électroniques)

Ce manuel décrit l'utilisation avancée de l'imprimante, notamment les conseils pour économiser le papier, la manière d'imprimer une affiche et une bannière avec le logiciel fourni et la méthode de réglage de la qualité d'impression, en plus des instructions de base pour l'impression sur du papier en rouleau ou sur une feuille de découpe.

Pour afficher les manuels en ligne, reportez-vous à "Méthode d'affichage du Manuel en ligne" (p. 12).

■ Unité de rouleau

Fournie en tant qu'accessoire en option.

■ Empileur

Consultez les guides d'installation fournis pour les accessoires respectifs.

Précautions de manipulation

⚠ Déplacement de l'imprimante

- Faites en sorte que le nombre de personnes suivant saisisse les poignées de transport de chaque côté à la base de l'imprimante. Le poids peut causer des douleurs telles que des maux de dos.

TX-4100 (Environ 96 kg (211 lb))

6 personnes ou plus

TX-3100 (Environ 87 kg (191 lb))

6 personnes ou plus

TX-2100 (Environ 74 kg (163 lb))

6 personnes ou plus



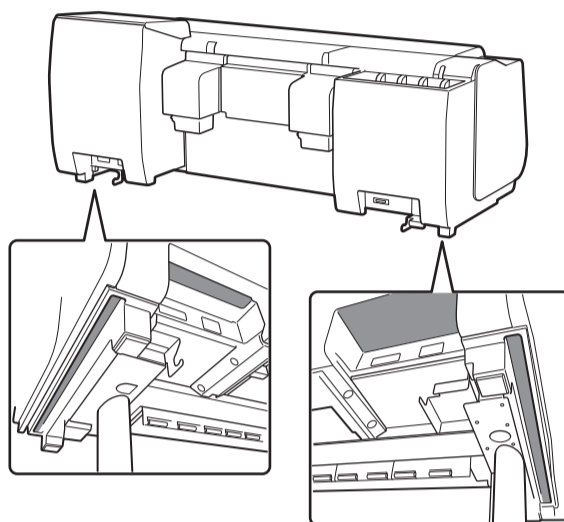
Pour la TX-4100

⚠ Redressement de l'imprimante

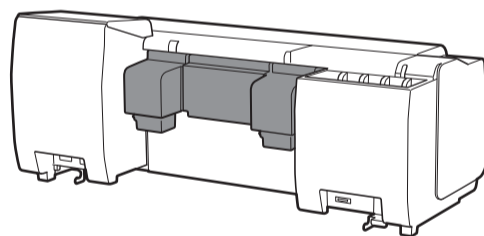
- Lorsque vous redressez l'imprimante, placez un carton ou un autre matériau en-dessous pour éviter les dommages et les rayures, et assurez-vous que le côté avec le panneau de commande est en haut. De plus, assurez-vous que le poids de l'imprimante est absorbé par le coin de l'imprimante. Si le poids est absorbé par une autre partie de l'imprimante, celle-ci peut être endommagée.



- Lorsque vous transportez l'imprimante, saisissez fermement les poignées de transport de chaque côté dans la base (la zone indiquée en grisé sur le schéma). Le fait de tenir l'imprimante dans d'autres positions pourrait s'avérer dangereux et provoquer des blessures ou endommager l'imprimante si vous la laissez tomber.



- Ne tenez aucune autre position que les poignées de transport. En particulier, ne tenez pas les parties en plastique de la surface arrière de l'imprimante (la zone indiquée en grisé dans le schéma).

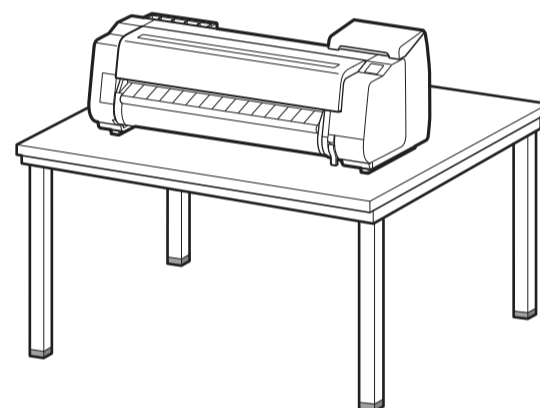


⚠ Autre

- Ne posez pas l'imprimante et ne la transportez pas en la soutenant uniquement au centre. Cela pourrait endommager l'imprimante.

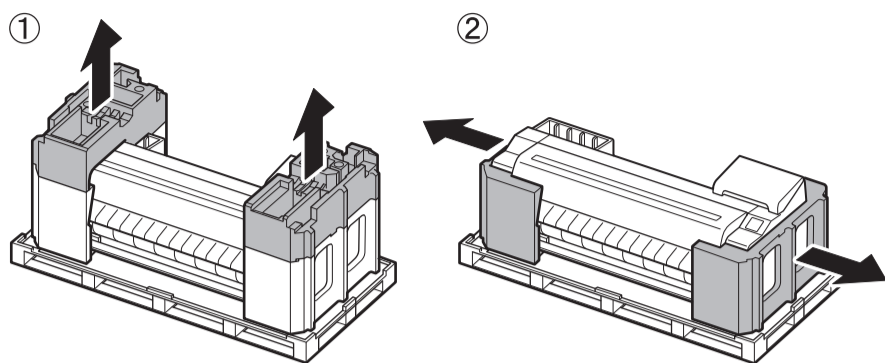


- Si vous posez provisoirement l'imprimante, veillez à bien la placer sur une surface stable et plate.

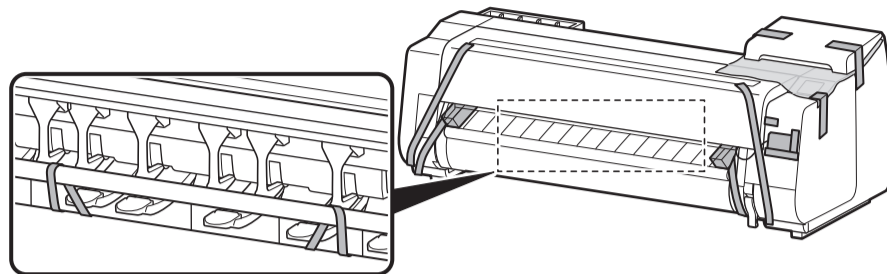


1 Retrait du matériau d'emballage

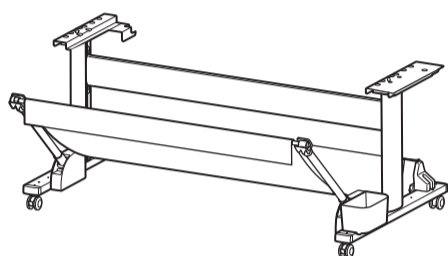
1 Retirez le matériau d'emballage.



2 Retirez la totalité de la bande et des autres matériaux d'emballage. Retirez la bande apposée sur le support du rouleau.

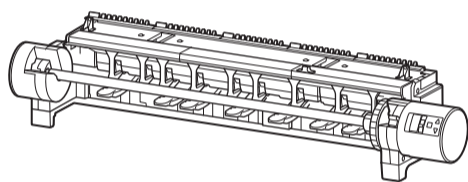


2 Assemblage du socle de l'imprimante



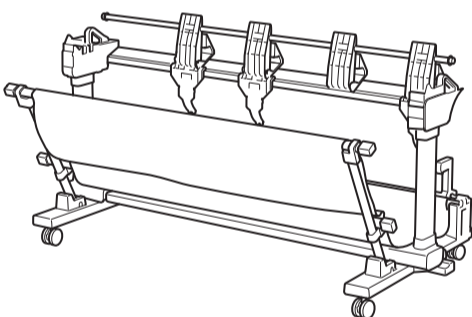
Assemblez le socle en vous reportant au **Guide d'installation du socle de l'imprimante (manuel distinct)**. Si vous n'utilisez pas le socle, passez à " **5** Installation de l'imprimante".

3 Montage de l'unité de rouleau



Si vous avez acheté l'unité de rouleau en option, montez-la en vous reportant au **Guide d'installation de l'unité de rouleau (manuel distinct)**. Si vous n'utilisez pas l'unité de rouleau, passez à " **6** Mise sous tension de l'imprimante".

4 Assemblage de l'empileur



Si vous avez acheté l'empileur en option, montez-le en vous reportant au **Guide de configuration de l'empileur (manuel distinct)**. Si vous n'utilisez pas l'empileur, passez à " **6** Mise sous tension de l'imprimante".

5 Installation de l'imprimante

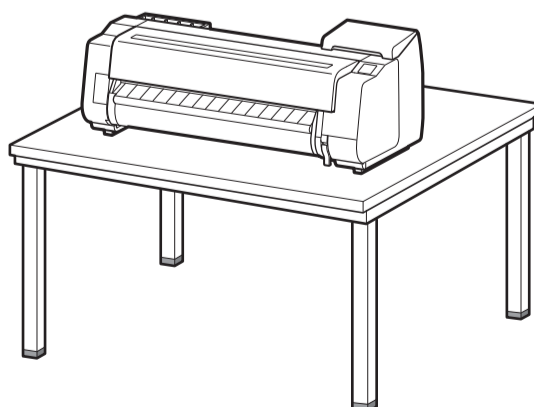
Si vous n'utilisez pas le socle, installez l'imprimante dans un emplacement similaire à celui-ci.

1 Soulevez l'imprimante.

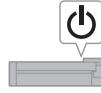
- Pour plus de détails sur le transport et le nombre de personnes, reportez-vous à la section "Précautions de manipulation" (p. 3).



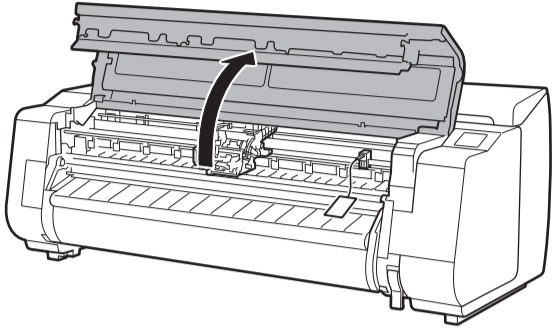
2 Placez l'imprimante sur un emplacement plat et stable.



6 Mise sous tension de l'imprimante

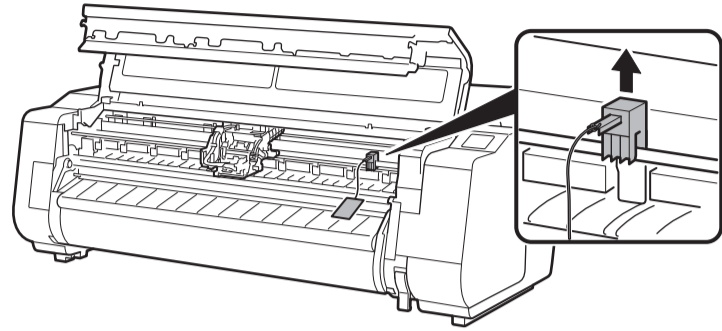


1 Ouvrez le capot supérieur.



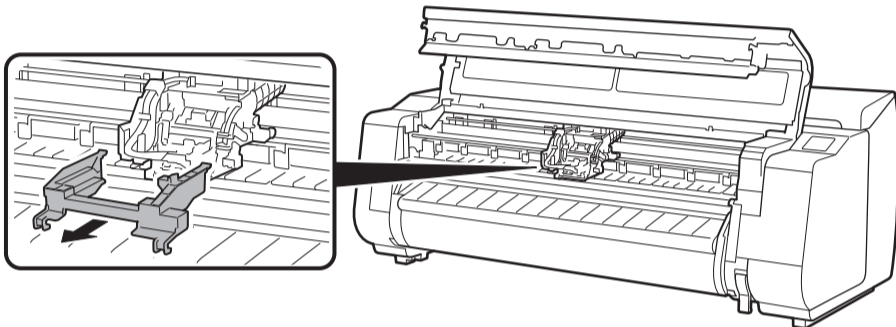
2 Tirez vers le haut le butoir de ceinture.

- Conservez le butoir de ceinture pour une utilisation ultérieure. Vous en aurez besoin si vous déplacez l'imprimante ailleurs.

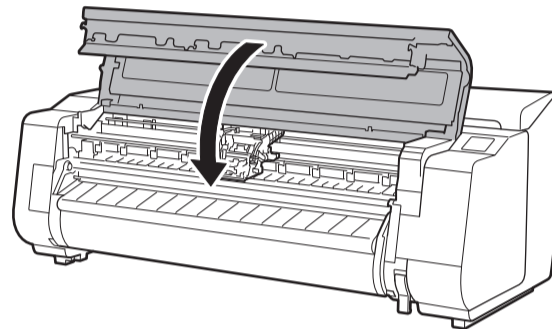


3 Retirez le ruban adhésif et le matériel de protection.

- Enlevez le ruban adhésif fixé au chariot, puis tirez le matériau de protection (la zone représentée en grisé sur le schéma) vers vous et retirez-le. Retirez la feuille de protection, le cas échéant.



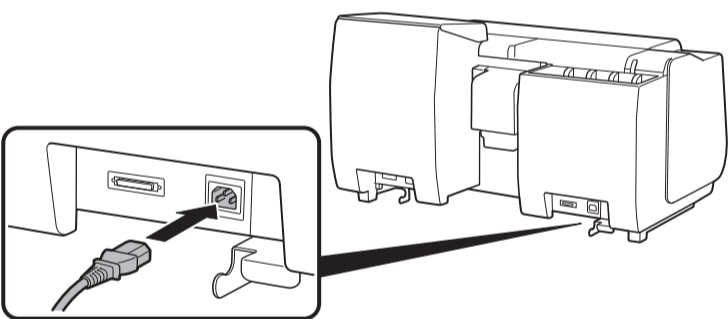
4 Fermez le capot supérieur.



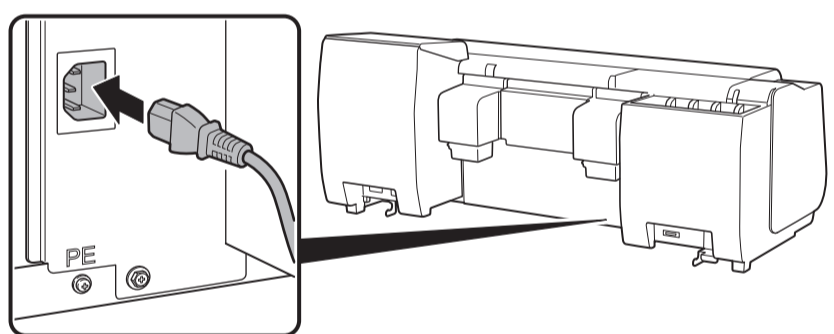
5 Branchez le cordon d'alimentation sur l'imprimante.

- Branchez le cordon d'alimentation sur le connecteur d'alimentation, à l'arrière de l'imprimante.

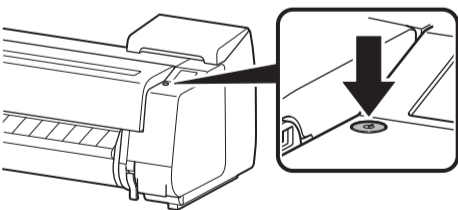
Pour les modèles TX-2100 / TX-3100



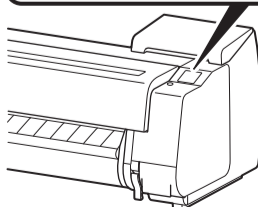
Pour la TX-4100



6 Branchez le cordon d'alimentation dans la prise, puis allumez l'imprimante.



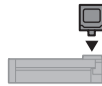
7 Lorsque l'écran de sélection de la langue apparaît sur l'écran tactile, sélectionnez et tapez sur une langue (légèrement avec le doigt, puis éloignez le doigt). Puis, si l'écran de sélection d'un fuseau horaire s'affiche, sélectionnez et appuyez sur votre région.



8 Lorsqu'un message vous demandant de démarrer la configuration s'affiche sur l'écran tactile, appuyez sur **OK**.

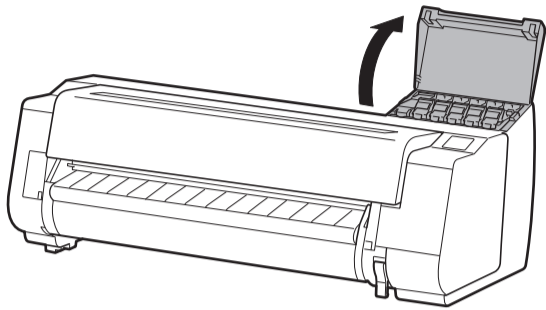


7 Installation des cartouches d'encre



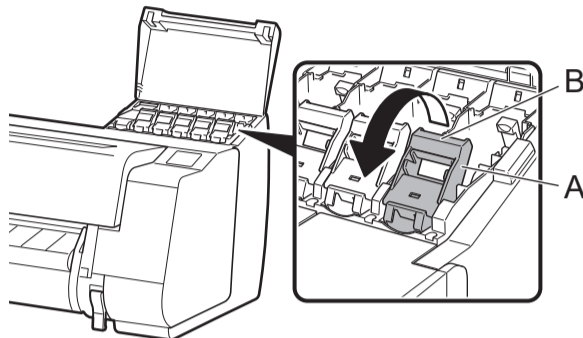
Les instructions d'installation des cartouches d'encre s'affichent sur l'écran tactile. Installez les cartouches d'encre comme indiqué. Si la cartouche d'encre est froide, laissez-lui le temps de s'adapter à la température ambiante avant de la monter dans l'imprimante.

1 Ouvrez le couvercle de la cartouche d'encre.

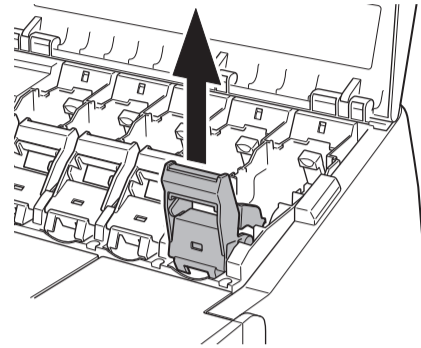


2 Relâchez le levier de verrouillage de cartouche d'encre que vous installez.

- En appuyant sur le bouton à la position (B), soulevez la partie poignée (A) vers vous.

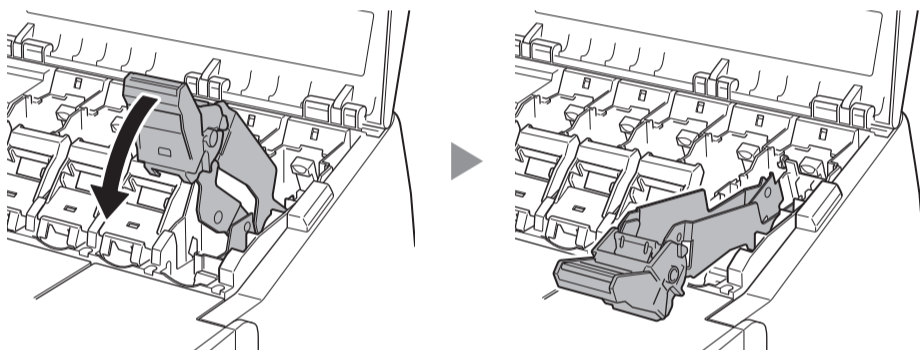


3 Dans cet état, relevez le levier de verrouillage de cartouche d'encre.

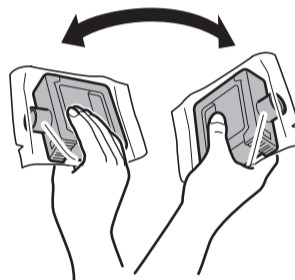


4 Continuez à tirer jusqu'à ce que tout le levier de verrouillage de cartouche d'encre soit incliné vers vous.

- Assurez-vous que le levier de la cartouche d'encre reste dans cette position.



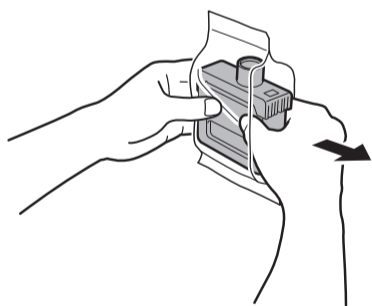
5 Secouez doucement chacune des cartouches d'encre de 7 à 8 fois avant d'ouvrir sa pochette.



Important

- Le fait de ne pas secouer les cartouches d'encre pourrait réduire la qualité d'impression car les ingrédients de l'encre seraient déposés en bas de la cartouche.

6 Ouvrez la pochette et sortez-en la cartouche d'encre.



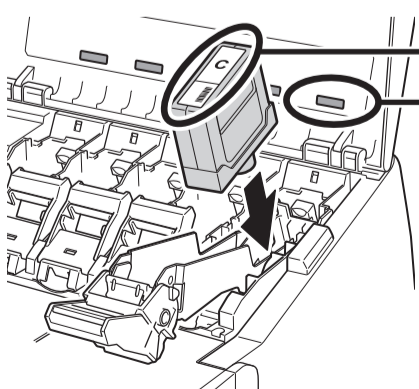
Important

- Ne touchez jamais les orifices à encre ou les contacts métalliques (la zone indiquée en gris sur le schéma). Le fait de toucher ces parties pourrait provoquer des taches, endommager la cartouche d'encre et réduire la qualité d'impression.
- Évitez de laisser tomber la cartouche d'encre après avoir retirée de la pochette. Sinon, l'encre pourrait fuir et provoquer des taches.
- N'ôtez pas les cartouches d'encre pour les secouer après les avoir montées. Vous risqueriez de provoquer des éclaboussures d'encre.



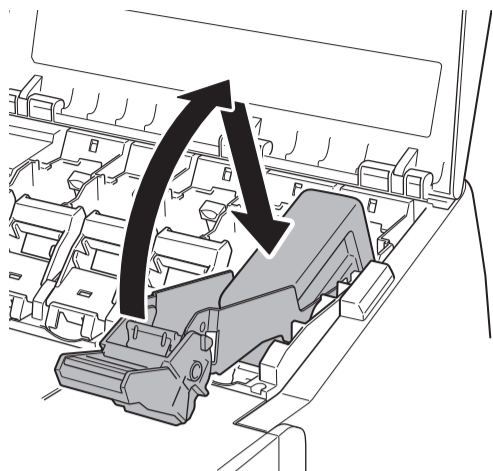
7 Vérifiez que la couleur de la cartouche d'encre est identique à celle affichée sur l'étiquette de l'imprimante et insérez la cartouche d'encre dans le support dans l'orientation indiquée sur le schéma.

- Insérez-la avec l'étiquette de la cartouche d'encre dirigée vers le haut et en veillant à ce que le texte figurant sur l'étiquette ne soit pas à l'envers.

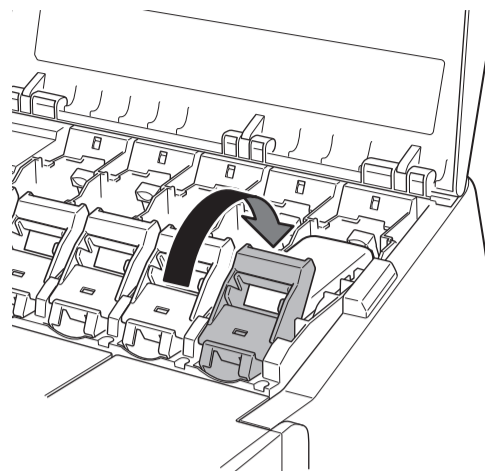


Faire correspondre la couleur de l'étiquette de la cartouche d'encre à la couleur de l'étiquette dans l'imprimante

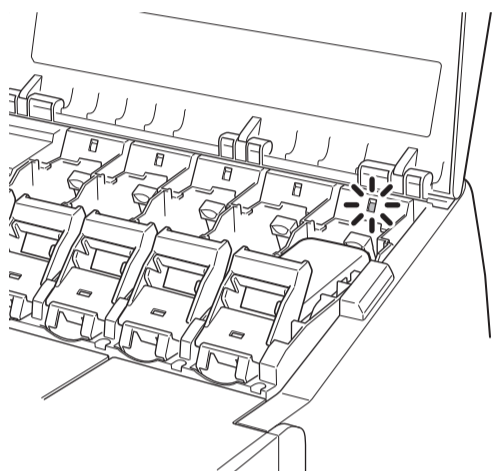
8 Relevez le levier de verrouillage de cartouche d'encre une fois, puis abaissez-le.



9 Appuyez fermement sur la poignée du levier de verrouillage de cartouche d'encre à fond.



10 Assurez-vous que le voyant d'encre est rouge.

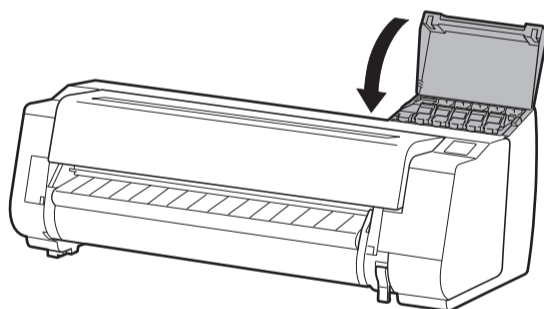


Important

- Si le voyant d'encre ne s'allume pas, répétez les étapes 2 à 4 et 8 à 9.

11 Répétez les étapes 2 à 10 pour installer chacune des cartouches d'encre.

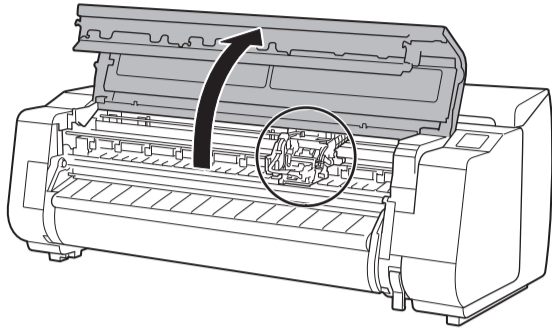
12 Fermez le couvercle de la cartouche d'encre.



8 Installation de la tête d'impression

Les instructions concernant l'installation de la tête d'impression s'affichent alors sur l'écran tactile. Installez la tête d'impression en suivant les instructions.

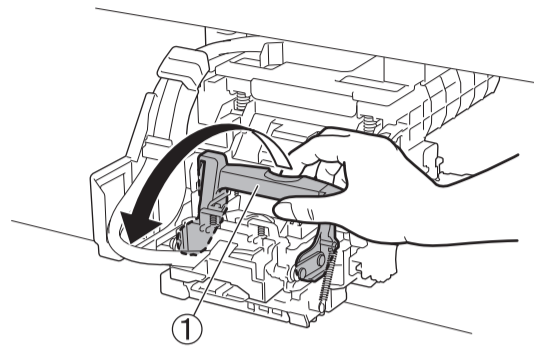
1 Ouvrez le capot supérieur.



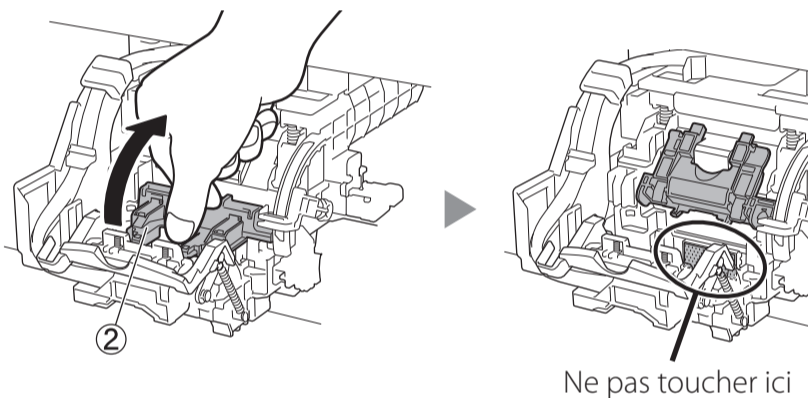
Important

- Ne déplacez pas le chariot (la zone délimitée par un cercle dans le diagramme). Si vous le déplacez accidentellement, fermez temporairement le capot supérieur et celui-ci reprendra sa position initiale.

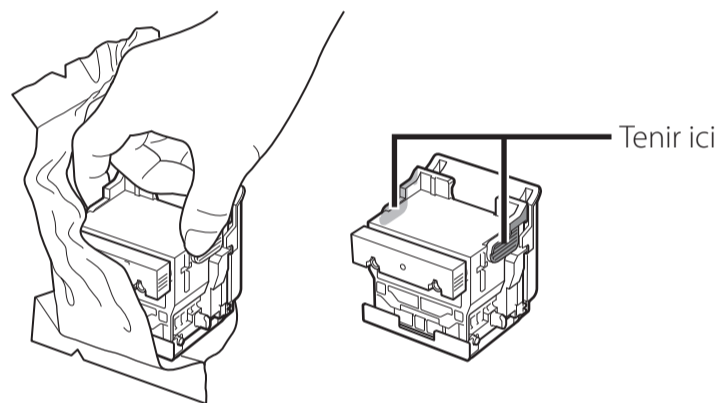
2 Inclinez le levier de verrouillage de tête d'impression ① vers vous.



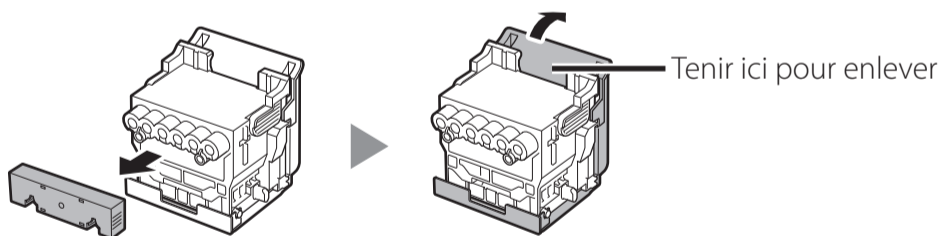
3 Ouvrez le couvercle de verrouillage de tête d'impression ② en suivant les instructions à l'écran et appuyez sur **OK**. Ne touchez pas les contacts électriques du chariot.



4 Saisissez la tête d'impression comme indiqué sur le schéma et retirez-la du sac.

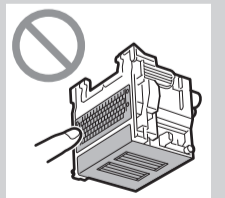
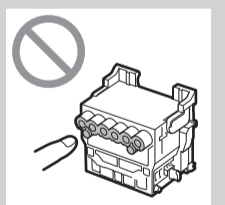


5 Retirez les capsules de protection orange dans l'ordre indiqué sur le schéma.



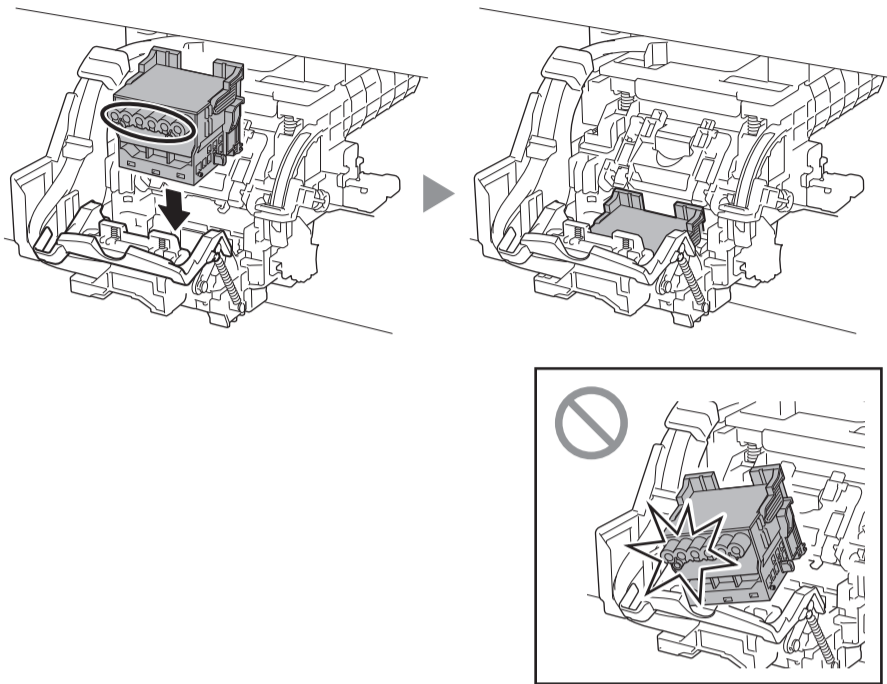
Important

- Ne touchez en aucune circonstance la partie qui était protégée par la capsule de protection (partie indiquée en gris sur le diagramme). Cela pourrait endommager la tête d'impression ou provoquer des problèmes d'impression.
- La tête d'impression est remplie d'encre. Veillez à ne pas salir vos vêtements et les objets environnants lorsque vous retirez les capsules de protection. Il est recommandé d'enlever les capsules de protection au-dessus du sac qui contenait la tête d'impression.
- Ne remontez pas les capsules de protection après les avoir enlevées. En outre, mettez-les au rebut conformément aux réglementations locales.

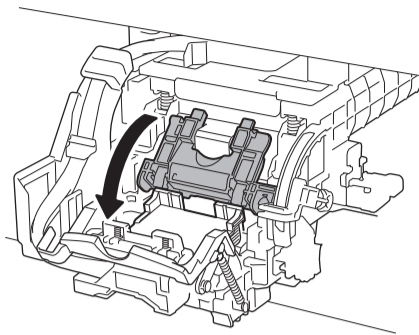


6 Installez la tête d'impression.

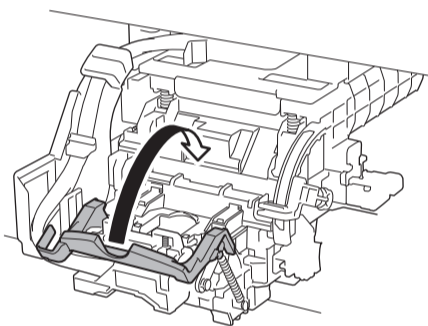
- Alignez la tête d'impression de sorte que la zone délimitée par un cercle sur le schéma vous fasse face et poussez délicatement la tête d'impression dans l'imprimante, en veillant à ce que la partie recouverte par les capsules de protection ne touche pas le chariot.



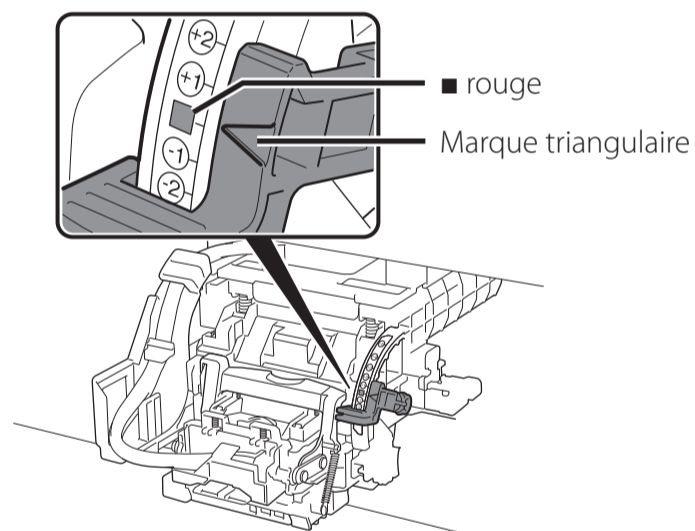
7 Tirez le couvercle de verrouillage de tête d'impression vers le bas et vers vous pour verrouiller la tête d'impression en position.



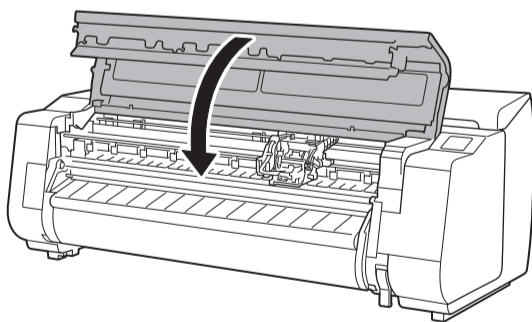
8 Poussez à fond le levier de verrouillage de tête d'impression.



9 Vérifiez que la marque triangulaire sur le levier d'ajustement de l'angle est alignée avec la marque rouge ■. S'ils ne sont pas alignés, déplacez le levier d'ajustement de l'angle vers le haut ou vers le bas pour l'aligner avec le ■.



10 Fermez le capot supérieur.

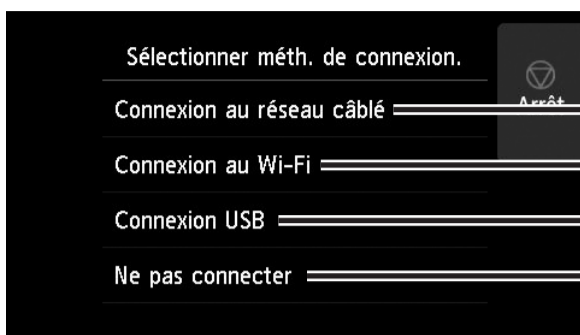


Remarque

- Si l'unité de rouleau est installée, l'étalonnage de l'unité de rouleau commence automatiquement une fois la tête d'impression fixée.
Si le support du rouleau est monté sur l'unité de rouleau à ce moment, l'étalonnage ne peut pas être exécuté. Ne montez pas le support du rouleau sur l'unité de rouleau tant que l'installation n'est pas terminée.



Lorsque quelque chose comme ce qui suit s'affiche sur l'écran tactile, sélectionnez la méthode de connexion.



Sélectionner méth. de connexion.

Connexion au réseau câblé

Connexion au Wi-Fi

Connexion USB

Ne pas connecter

Connectez l'imprimante au réseau à l'aide d'un câble réseau.

Connectez l'imprimante au réseau sans fil, sans utiliser de câble réseau.

Connectez l'imprimante à un ordinateur à l'aide d'un câble USB.

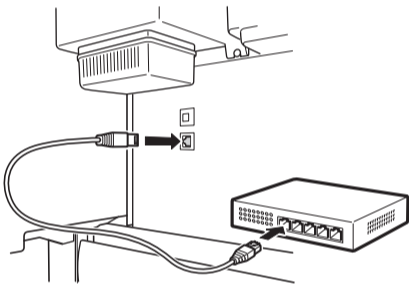
Sélectionnez cette option, par exemple lorsque vous vous connectez avec une adresse IP fixe. Les paramètres de connexion et l'installation du logiciel devront être effectués séparément. Démarrez les paramètres à partir de l'écran tactile de l'imprimante.

Connexion au réseau câblé

- 1 Sélectionnez **Connexion au réseau câblé**. Consultez le message à propos de la méthode de connexion et sélectionnez **Oui** en cas d'absence de problèmes.

- Un message vous invitant à connecter le câble réseau s'affiche.

- 2 Utilisez le câble réseau pour raccorder le connecteur du réseau câblé au port du concentrateur, sur à l'arrière de l'imprimante.



- 3 Sélectionnez **OK** et passez à "Installation du logiciel sur votre ordinateur" (p. 11).

Connexion au Wi-Fi

- 1 Sélectionnez **Connexion au Wi-Fi**. Consultez le message à propos de la méthode de connexion et sélectionnez **Oui** en cas d'absence de problèmes.

- Un message vous invitant à configurer une connexion Wi-Fi s'affiche.

- 2 Sélectionnez **Oui** et passez à "Installation du logiciel sur votre ordinateur" (p. 11).

- Pour configurer les paramètres de l'imprimante, sélectionnez Non et passez à "Configuration des réglages Wi-Fi sur l'écran tactile de l'imprimante" (colonne ci-dessous).

Connexion USB

- 1 Sélectionnez **Connexion USB**. Consultez le message à propos de la méthode de connexion et sélectionnez **Oui** en cas d'absence de problèmes.

- Ne raccordez pas encore le câble USB.

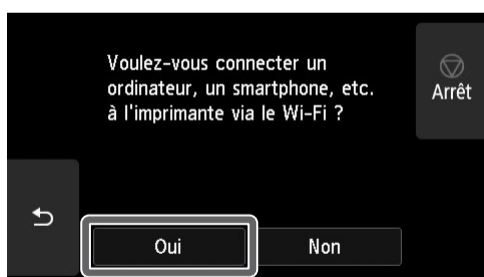
- 2 Sélectionnez **OK** et passez à "Installation du logiciel sur votre ordinateur" (p. 11).

L'imprimante lance le chargement de l'encre pour la première fois * et le réglage de la tête d'impression. Cela prend environ 25 minutes. N'ouvrez pas les capots de l'imprimante et ne mettez pas l'imprimante hors tension pendant cette période.

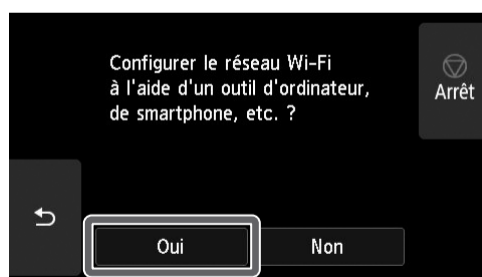
* Charge l'encre entre la cartouche d'encre et la tête d'impression et effectue un nettoyage afin de maintenir l'imprimante dans des conditions optimales. Cela peut faire baisser l'indicateur d'encre restante et de la capacité de la cartouche d'entretien d'une certaine quantité. Etant donné que les cartouches d'encre de démarrage fournies sont destinées à l'installation initiale, il est recommandé d'acheter les cartouches d'encre de remplacement rapidement.

Configuration des réglages Wi-Fi sur l'écran tactile de l'imprimante Pour une connexion au Wi-Fi

- 1 Vérifiez que l'écran suivant apparaît et sélectionnez **Oui**.



- 2 Vérifiez que l'écran suivant apparaît et sélectionnez **Oui**.



- 3 Configurez les réglages en suivant les instructions affichées à l'écran.

- Lorsque l'écran d'accueil et (réseau) s'affichent, les paramètres Wi-Fi sont configurés.



- 4 Passez à la section "Installation du logiciel sur votre ordinateur" (p. 11).

Remarque

- Si **Vérification de la buse, Injection de l'encre dans la tête d'impression...** ou **Nettoyage en cours...** est affiché, les paramètres initiaux de l'imprimante ne sont pas terminés. Patientez jusqu'à ce que l'écran ci-dessus s'affiche.

10 Installation du logiciel sur votre ordinateur

Les réglages de connexion de l'imprimante et l'installation du logiciel s'effectuent à l'aide d'un ordinateur. Vous pouvez télécharger le fichier de configuration depuis notre site Web. Si vous utilisez un PC Windows, vous pouvez également exécuter le fichier depuis le CD-ROM.

Téléchargement depuis le site Web (Windows/macOS)

1 Accédez au site Web de Canon sur votre ordinateur.

<https://ij.start.canon/TX-4100>

Voici l'exemple de saisie pour le TX-4100.

Saisissez le numéro de modèle de l'imprimante que vous utilisez.

2 Cliquez sur **Télécharger** pour télécharger le fichier de configuration, puis lancez le fichier.

- Si un écran d'avertissement relatif au téléchargement s'affiche, sélectionnez **Ne pas bloquer**, **Autoriser**, etc., puis passez à l'étape suivante.

• Cliquez sur **Télécharger** à partir de l'ordinateur auquel vous voulez connecter l'imprimante.



Démarrer à partir du CD-ROM fourni (Windows)

■ Si vous utilisez Windows 10 ou Windows 8.1




1 Insérez le CD-ROM d'installation dans l'ordinateur.



2 Cliquez sur le message contextuel du disque dur, puis sur **Exécuter Msetup4.exe** sur l'écran affiché.

Remarque

Si le message ne s'affiche pas (ou s'il s'est effacé)

- 1 Cliquez sur  ou  **Explorateur de fichiers** dans la barre des tâches.
- 2 Cliquez sur **Ce PC** à gauche de la fenêtre qui s'ouvre.
- 3 Double-cliquez sur l'icône CD-ROM , à droite de la fenêtre.
- 4 Si le contenu du CD-ROM s'affiche, double-cliquez sur **Msetup4.exe**.

3 Si la boîte de dialogue **Contrôle de compte d'utilisateur** s'affiche, cliquez sur **Oui** et passez à l'étape suivante.

■ Si vous utilisez Windows 7


1 Insérez le CD-ROM d'installation dans l'ordinateur.



2 Lorsque l'écran **Lecture automatique** s'affiche, cliquez sur **Exécuter Msetup4.exe**.

Remarque

Si l'écran **Lecture automatique** ne s'affiche pas

- 1 Cliquez sur **Ordinateur** dans le menu Démarrer.
- 2 Double-cliquez sur l'icône CD-ROM , à droite de la fenêtre qui s'affiche.
- 3 Si le contenu du CD-ROM s'affiche, double-cliquez sur **Msetup4.exe**.

3 Si la boîte de dialogue **Contrôle de compte d'utilisateur** s'affiche, cliquez sur **Oui** et passez à l'étape suivante.

4 Cliquez sur **Commencer la configuration** la configuration. Configurez les réglages en suivant les instructions affichées à l'écran.



Remarque

- Un écran permettant de choisir la méthode de connexion de l'imprimante peut s'afficher au milieu de la configuration des réglages. Le cas échéant, choisissez la méthode que vous avez sélectionnée p. 10 et cliquez sur **Suivant**, puis continuez avec le reste des réglages.
- Raccordez le câble USB à l'emplacement approprié en suivant les instructions à l'écran.

Chargement du papier



1. Appuyez sur (Charger).
2. Sélectionnez le papier.
3. Exécutez les opérations en suivant les instructions affichées à l'écran.

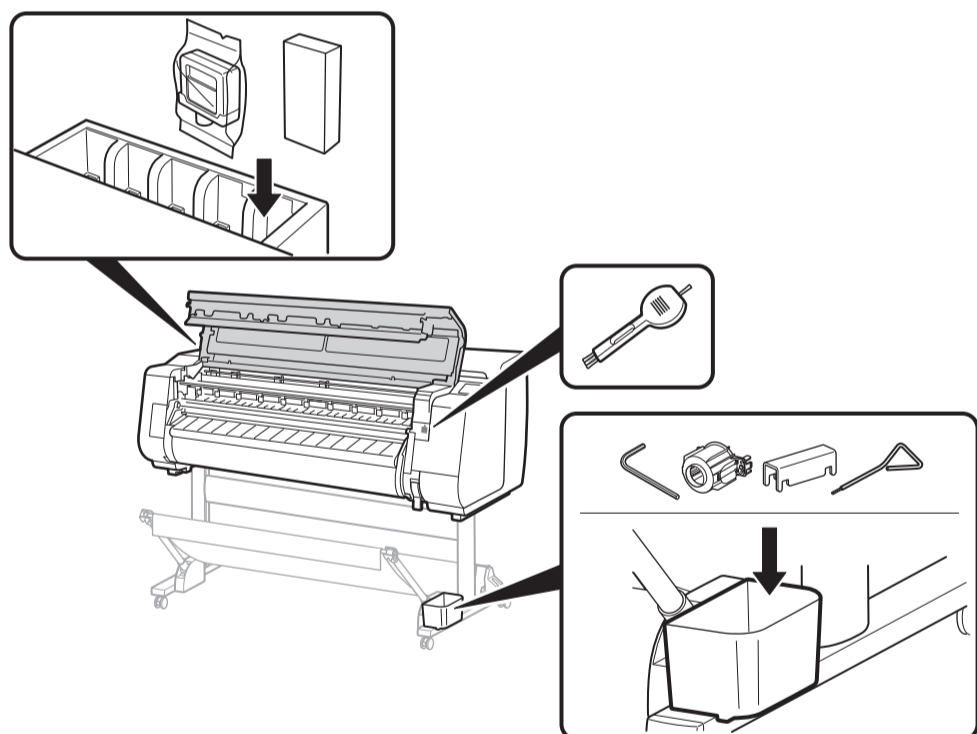
Emplacement de stockage des accessoires et des consommables

Lorsque vous ouvrez le capot supérieur (pour nettoyer l'intérieur), une brosse de nettoyage est rangée à droite. Le compartiment accessoires peut être utilisé pour ranger des accessoires tels que la fixation du tube à papier de 3 pouces.

Vous pouvez stocker des cartouche d'encre de rechange dans le boîtier d'encre de rechange.

Important

- N'y placez pas une cartouche d'encre usagée.



Impression à partir d'un smartphone ou d'une tablette

Avec l'application "Canon PRINT Inkjet/SELPHY", vous pouvez facilement imprimer des photos sans fil sur votre smartphone ou votre tablette (fonctionnant sous iOS ou Android).



iOS

Recherchez "Canon Print" dans l'App Store.

Android

Recherchez "Canon Print" dans Google Play.

Remarque

- Vous pouvez également télécharger l'application en accédant au site Web Canon à partir du code QR sur la droite.



Méthode d'affichage du manuel en ligne

Le Manuel en ligne explique comment utiliser l'imprimante. Vous pouvez y accéder et depuis le site Web Canon, comme indiqué ci-dessous.

1 Accédez au site Web Canon selon l'une des méthodes suivantes.

- Saisissez l'URL

<https://ij.start.canon>

Sélectionnez le numéro de modèle de l'imprimante que vous utilisez.

- Balayez le code QR



2 Sélectionnez Lire le manuel en ligne.

- Effectuez les opérations restantes conformément aux instructions affichées à l'écran pour afficher le Manuel en ligne.

Marques commerciales

Windows est une marque commerciale ou une marque déposée de Microsoft Corporation aux Etats-Unis et/ou dans d'autres pays.

macOS et App Store sont des marques commerciales d'Apple Inc. enregistrées aux Etats-Unis et dans d'autres pays.

iOS est une marque commerciale ou une marque déposée de Cisco aux Etats-Unis et dans d'autres pays et est utilisée sous licence.

Android est soit une marque déposée, soit une marque commerciale de Google Inc.

Google Play et le logo Google Play sont des marques commerciales de Google LLC.

QR Code est une marque déposée de DENSO WAVE INCORPORATED au Japon et dans d'autres pays.

Réponse aux messages

Des messages d'erreurs peuvent s'afficher sur l'écran tactile du panneau de contrôle lors de la configuration de l'imprimante. Il est possible que cela ne signale pas un problème au niveau de l'imprimante, et que le problème puisse être résolu facilement. Les messages courants et les causes sont répertoriés ici avec les actions correctives. Pour plus de détails sur les autres messages, reportez-vous au Manuel en ligne.

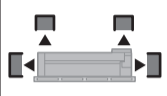
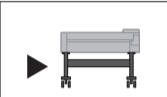


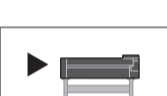

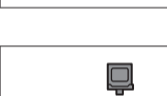
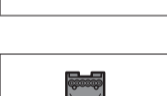


Message	Cause	Action corrective
Cartouche d'encre non installée. Installez-la correctement.	Aucune cartouche d'encre n'est chargée.	Installez ou réinstallez la cartouche d'encre. (Reportez-vous aux étapes 1 à 12, p. 6 et p. 7)
	La cartouche d'encre n'est pas fermement installée à fond.	
La tête d'impression n'est pas correctement reconnue. Ouvrez le capot supérieur et installez la bonne tête d'impression.	La tête d'impression n'est pas installée.	Installez la tête d'impression. (Reportez-vous aux étapes 1 à 10, p. 8 et p. 9)
	Panne des contacts électriques au niveau de la tête d'impression.	Ôtez la tête d'impression, vérifiez qu'aucun débris n'adhère aux contacts électriques de la tête d'impression et au chariot, puis remettez-la en place.
Erreur de matériel ECxx-xxxx (x représente une lettre ou un nombre) Erreur de l'imprimante. Désactivez le périphérique, patientez un moment, puis réactivez-le.	Le butoir de ceinture ou la bande à l'intérieur du capot supérieur n'a pas été retiré.	Mettez l'appareil hors tension, ouvrez le capot supérieur, et retirez la bande et le butoir de ceinture, puis remettez l'appareil sous tension. (Reportez-vous aux étapes 1 à 4, p. 5)
	Il est possible que vous rencontriez une erreur qui ne puisse pas être résolue.	Mettez l'imprimante hors tension et patientez au moins 3 secondes avant de rétablir l'alimentation. Si le message s'affiche à nouveau, inscrivez le code d'erreur et le message, mettez l'imprimante hors tension et contactez votre revendeur Canon pour bénéficier d'une assistance.
Erreur ECxxx-xxxx (x représente une lettre ou un nombre) Erreur de l'imprimante. Consultez le manuel et contactez le centre de service.	Il est possible que vous rencontriez une erreur qui ne puisse pas être résolue.	Inscrivez le code d'erreur et le message, mettez l'imprimante hors tension et contactez votre revendeur Canon pour bénéficier d'une assistance.

Note

As ilustrações neste manual usam o modelo TX-4100 como exemplo explicativo. Observe que sua impressora poderá ter uma aparência diferente dessas ilustrações em alguns casos.
As especificações e a aparência deste produto estão sujeitas a alterações sem aviso prévio.

Visão geral da configuração

Configure a impressora usando o procedimento a seguir. Observe que, se uma mensagem de erro aparecer durante a configuração ou outros problemas ocorrerem, você deve consultar "Responder a mensagens" na p. 13.

	1 Remoção da embalagem	Página 4
	2 Montagem do Suporte da Impressora	Página 4
	3 Fixação da unidade em rolo	Página 4
	4 Montagem do empilhador	Página 4
	5 Instalação da impressora	Página 4
	6 Ligar a impressora	Página 5
	7 Instalação dos cartuchos de tinta	Página 6
	8 Instalação da cabeça de impressão	Página 8
	9 Seleção do método de conexão ao seu computador	Página 10
	10 Instalação do software no seu computador	Página 11

Carregamento do papel Página 12

Local de armazenamento dos acessórios e consumíveis Página 12

Impressão de um smartphone ou tablet Página 12

Como exibir o Manual On-line Página 12

Responder a mensagens Página 13

Confirmar o espaço de instalação

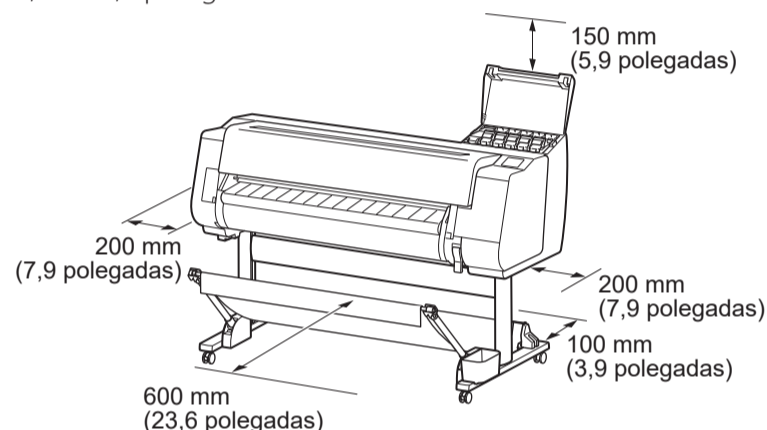
Ao instalar a impressora, recomenda-se reservar o espaço especificado a seguir em torno da impressora.

Importante

- O suporte da impressora, a unidade em rolo e o empilhador podem ser acessórios opcionais, dependendo do modelo adquirido. Observe que o espaço necessário pode variar dependendo se os acessórios opcionais forem usados ou não.
- O espaço necessário à frente da impressora varia dependendo de como a cesta for utilizada.

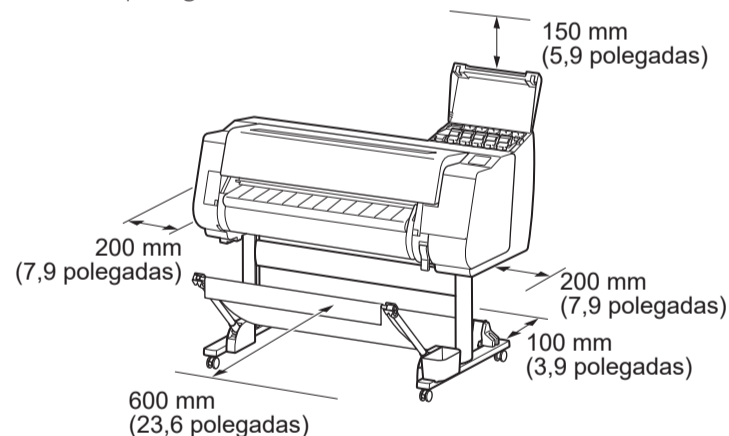
TX-4100

Espaço necessário (L x P x A)
1.993 x 1.684 x 1.560 mm
78,5 x 66,3 x 61,5 polegadas



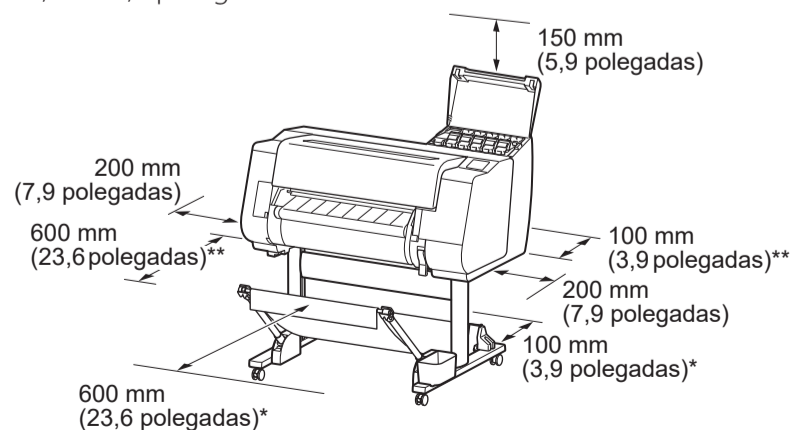
TX-3100

Espaço necessário (L x P x A)
1.790 x 1.684 x 1.560 mm
70,5 x 66,3 x 61,5 polegadas



TX-2100

Espaço necessário* (L x P x A)
1.510 x 1.684 x 1.560 mm
59,5 x 66,3 x 61,5 polegadas
Espaço necessário** (L x P x A)
1.510 x 1.434 x 1.020 mm
59,5 x 56,5 x 40,2 polegadas



* Quando usar o suporte da impressora modelo SD-21

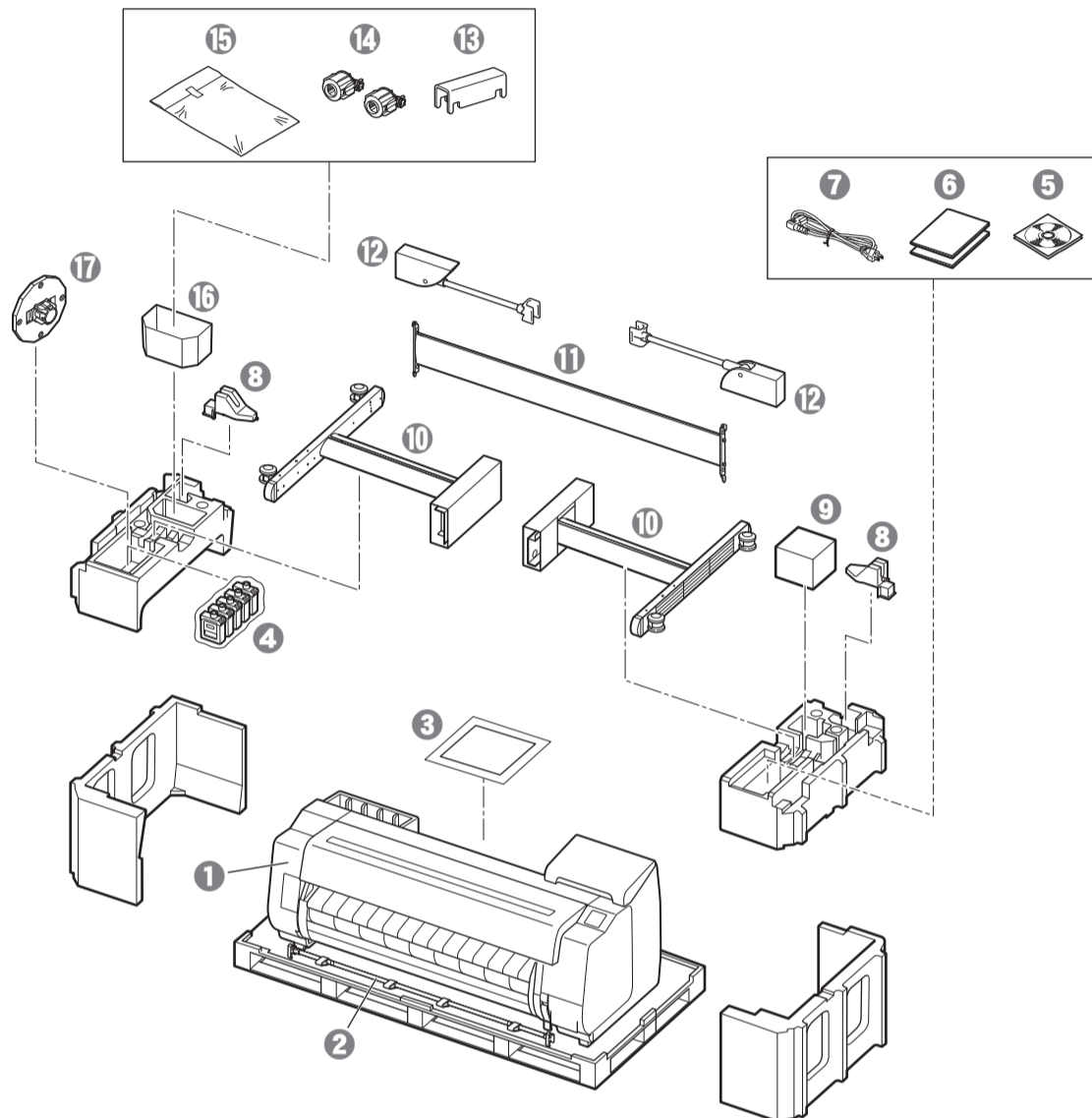
** Quando não usar o suporte da impressora

Conteúdos da embalagem

Verifique se os acessórios incluídos a seguir constam no pacote. Perceba que o cabo para conectar a impressora ao computador não é fornecido com a impressora.

Nota

- Ainda que os acessórios incluídos contêm também itens não descritos neste manual, você deve armazená-los todos, pois eles podem ser necessários para usar diversas funções.
- Para instruções de uso dos itens incluídos mas não descritos neste manual, consulte o Manual On-line seguindo as instruções em "Como exibir o Manual On-line" na p. 12.



- 1 Impressora
- 2 Haste da cesta / Tecido da cesta *2
- 3 Guia de configuração (este manual)
- 4 Cartuchos de tinta iniciais
- 5 Conjunto de CD-ROMs
- 6 Conjunto de documentação da impressora
- 7 Cabo de alimentação
- 8 Suporte da haste (2 peças) *2
- 9 Cabeça de impressão
- 10 Pernas do suporte (2 peças) *1
- 11 Apoio do suporte *1
- 12 Braço da cesta (2 peças) *2
- 13 Suporte de bloqueio da cesta (2 peças) *2
- 14 Anexo de núcleo de papel de 3 polegadas (2 peças)
- 15 Conjunto de braçadeiras para montagem do suporte da impressora *1
- 16 Bolso acessório *1
- 17 Fixador do suporte *3

*1 Acompanha apenas os modelos em que o suporte da impressora é incluído de fábrica. Perceba que, além disso, pode estar embrulhado em uma caixa separada, dependendo da região em que a impressora foi adquirida. Há uma descrição dos itens incluídos com o suporte da impressora no Guia de configuração de suporte da impressora.

*2 Esses itens podem não estar incluídos dependendo da sua região.

*3 Usado para carregar papel em rolo. Para obter mais detalhes, consulte o Manual On-line.

Manuais que acompanham este produto

Guia de configuração (este manual)

Descreve como configurar a impressora.

Guia de configuração de suporte da impressora

Descreve como montar o suporte. Esse item pode não estar incluído dependendo do modelo.

Guia rápida

Contém informações relacionadas aos avisos para o uso seguro deste produto e informações relacionadas à substituição do papel, cartuchos de tinta e a cabeça de impressão.

Manual On-line (manuais eletrônicos)

Este manual descreve o uso avançado da impressora, como dicas para economizar papel, como imprimir pôsteres e banners com o software fornecido e o método de ajuste da qualidade de impressão, além das instruções básicas para imprimir em papel em rolo ou folha cortada.

Para visualizar o Manual On-line, consulte "Como exibir o Manual On-line" (p. 12).

■ Unidade em rolo

Fornecido como acessório opcional.

■ Empilhador

Consulte os guias de configuração incluídos para os respectivos acessórios.

Cuidados de manuseio

⚠ Transportar a impressora

- A quantidade de pessoas especificada a seguir deve segurar as alças de carregamento nas laterais da base da impressora. O peso pode causar dores nas costas ou similares.

TX-4100 (Aprox. 96 kg (211 lb))

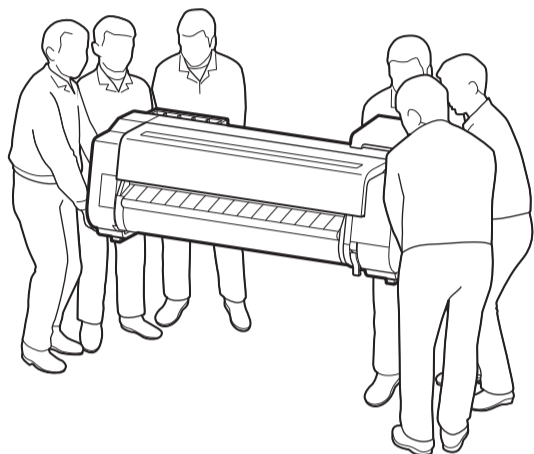
6 pessoas ou mais

TX-3100 (Aprox. 87 kg (191 lb))

6 pessoas ou mais

TX-2100 (Aprox. 74 kg (163 lb))

6 pessoas ou mais



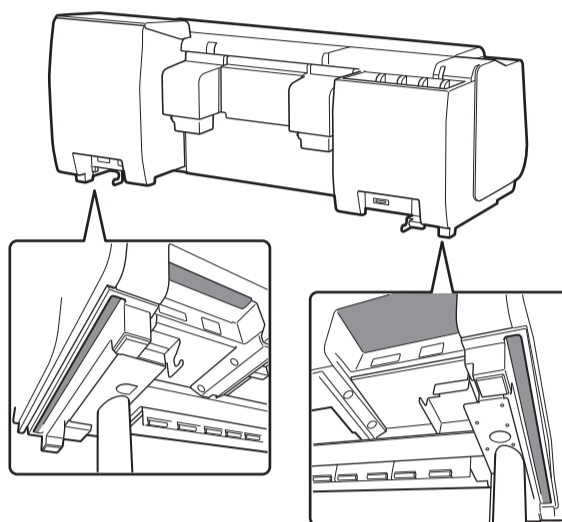
Para o modelo TX-4100

⚠ Levantar a impressora

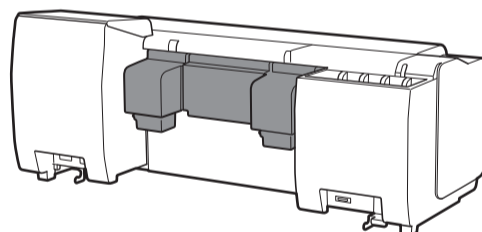
- Quando levantar a impressora, coloque papelão ou outro material sob a parte inferior para evitar arranhões e danos, e certifique-se de que a lateral com o painel de controle está voltada para cima. Além disso, certifique-se de que o peso da impressora seja apoiado pelo canto da impressora. Se o peso for apoiado em outras partes da impressora, a impressora poderá ficar danificada.



- Quando transportar a impressora, segure firmemente as alças de carregamento nas laterais da base (a área sombreada no diagrama). Segurar a impressora em outras posições é perigoso e pode oferecer risco de ferimentos ou danos à impressora caso ela caia.



- Não segure por nenhuma outra parte além das alças de carregamento. Principalmente, não segure pelas peças de plástico na superfície traseira da impressora (a área sombreada no diagrama).

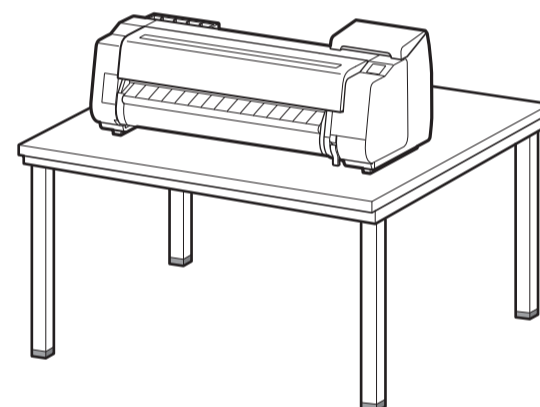


⚠ Outro

- Não abaixe ou carregue a impressora enquanto apenas o centro da impressora estiver apoiado. Isso pode causar danos à impressora.

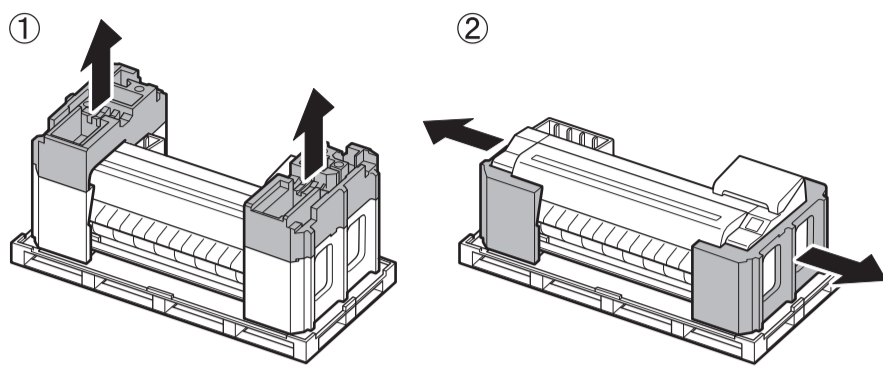


- Certifique-se de colocar a impressora em uma superfície plana e estável sempre que for deixar a impressora em algum lugar temporariamente.

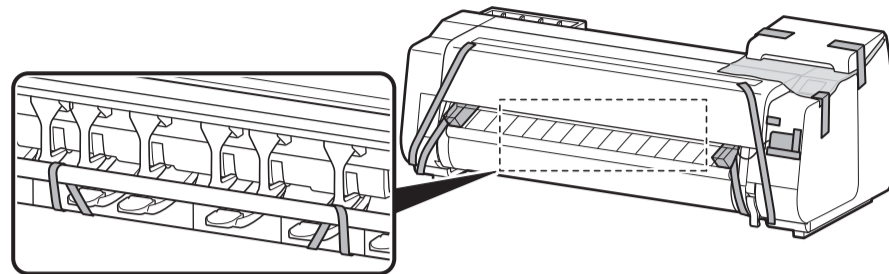


1 Remoção da embalagem

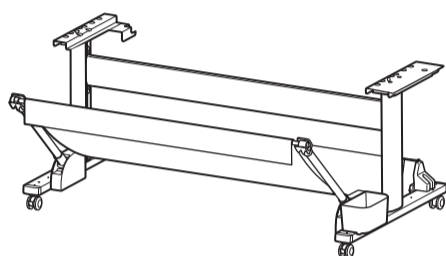
1 Remova a embalagem.



2 Remova as fitas adesivas e outros materiais de embalagem. Remova a fita do suporte do rolo.

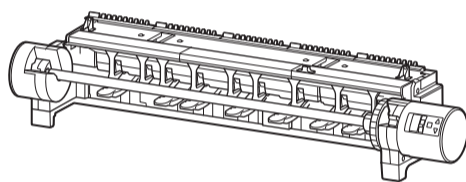


2 Montagem do suporte da impressora



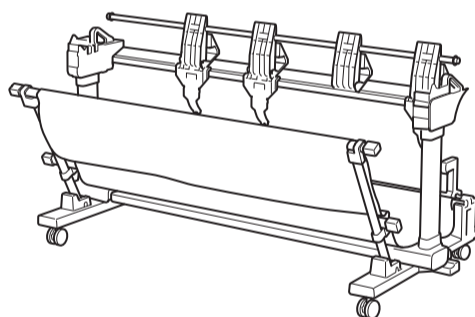
Monte o suporte consultando o **Guia de configuração de suporte da impressora (manual separado)**. Se você não estiver usando o suporte, prossiga para " **5** Instalação da impressora".

3 Fixação da unidade em rolo



Se você adquiriu a unidade em rolo opcional, afixe a unidade em rolo consultando o **Guia de configuração da unidade em rolo (manual separado)**. Se não estiver usando a unidade em rolo, prossiga para " **6** Ligar a impressora".

4 Montagem do empilhador



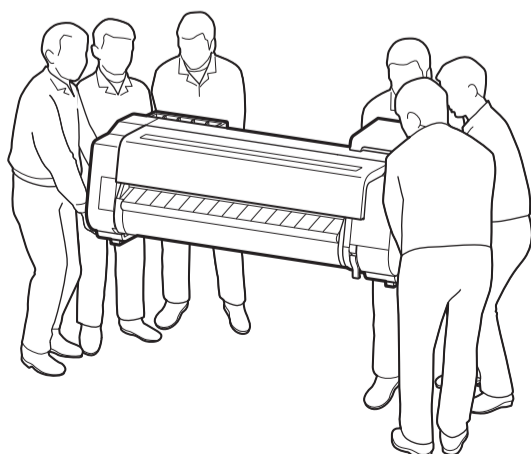
Se você adquiriu o empilhador opcional, afixe o empilhador consultando o **Guia de configuração do empilhador (manual separado)**. Se não estiver usando o empilhador, prossiga para " **6** Ligar a impressora".

5 Instalação da impressora

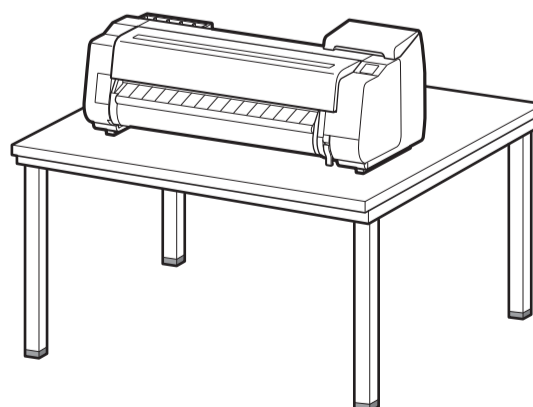
Se não estiver usando o suporte, instale a impressora em um local como o apresentado a seguir.

1 Levante a impressora.

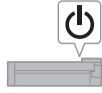
- Para obter detalhes sobre como carregar e a quantidade necessária de pessoas, consulte "Cuidados de manuseio" (p. 3).



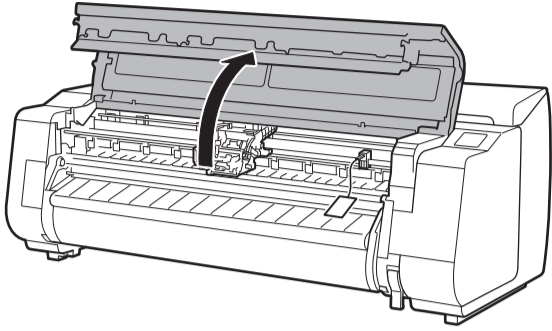
2 Coloque a impressora em um local plano e estável.



6 Ligar a impressora

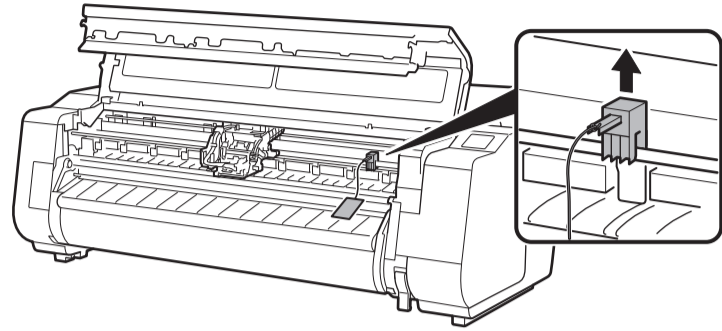


1 Abra a tampa superior.



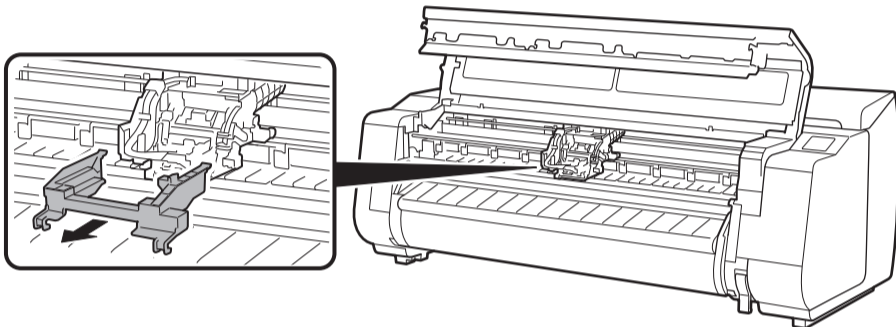
2 Puxe para cima e remova o fixador da faixa.

- Guarde o fixador da faixa para uso futuro. Você o utilizará caso mover a impressora para outro local.

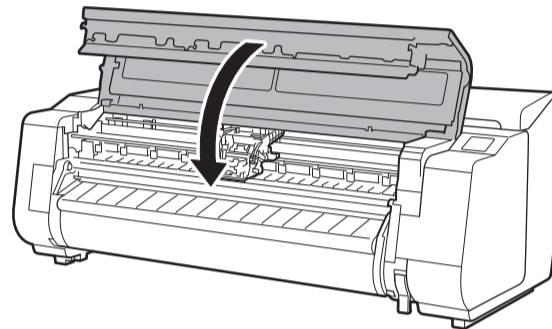


3 Remova a fita e o material de proteção.

- Remova a fita presa ao carro e puxe o material de proteção (a área sombreada no diagrama) em direção a si para removê-lo. Caso haja uma folha de proteção anexada, remova-a.



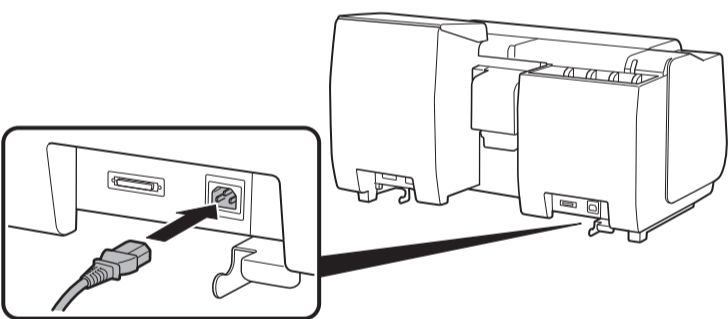
4 Feche a tampa superior.



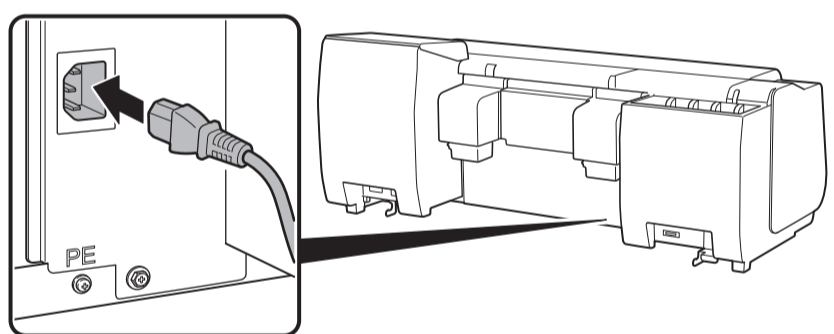
5 Conecte o cabo de alimentação à impressora.

- Insira o cabo de alimentação no conector de alimentação, localizado na parte traseira da impressora.

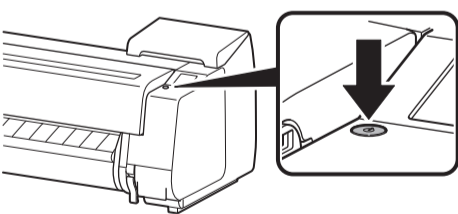
Para o modelo TX-2100 / TX-3100



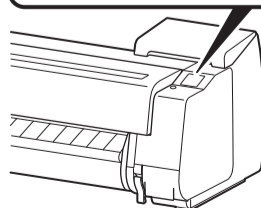
Para o modelo TX-4100



6 Conecte o cabo de alimentação à tomada e ligue a impressora.



7 Quando aparecer a tela de seleção do idioma na tela sensível ao toque, selecione e toque em um idioma (gentilmente com seu dedo e retire o dedo). Então, se aparecer a tela para seleção do fuso horário, selecione e toque em sua região.



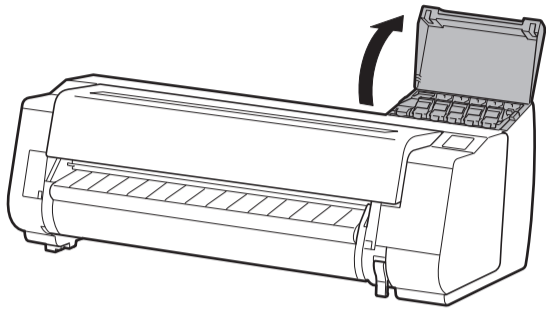
8 Quando aparecer uma mensagem solicitando você a iniciar a configuração na tela sensível ao toque, pressione **OK**.



7 Instalação dos cartuchos de tinta

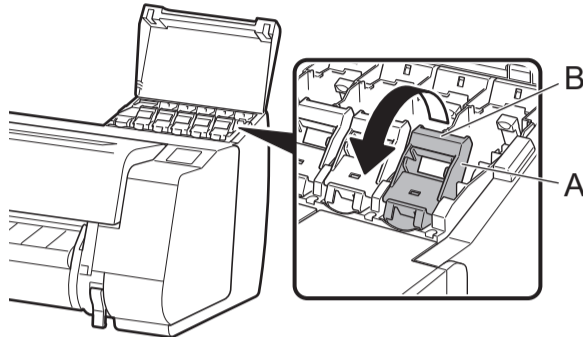
As Instruções para a instalação do cartucho de tinta são mostradas na tela sensível ao toque. Instale os cartuchos de tinta conforme a instrução. Se o cartucho de tinta estiver frio, permita que atinja a temperatura ambiente antes de conectá-lo à impressora.

1 Abra a tampa do cartucho de tinta.

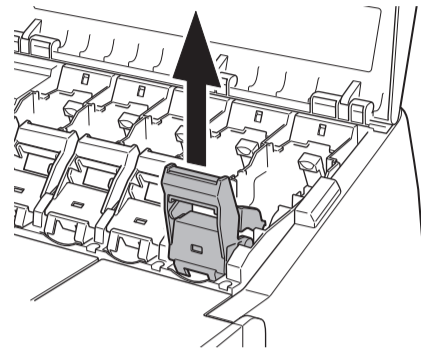


2 Solte a alavanca de bloqueio do cartucho de tinta respectiva à cor que estiver instalando.

- Enquanto pressiona o botão na posição (B), levante a peça da alça (A) em direção a si.

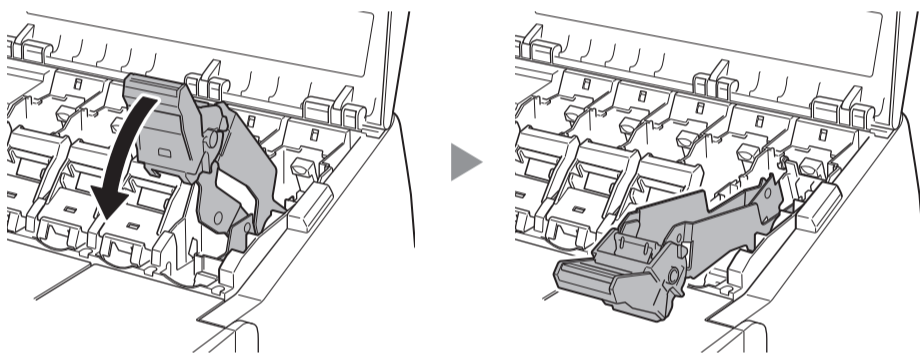


3 Quando estiver neste estado, puxe a alavanca de bloqueio do cartucho de tinta para cima.

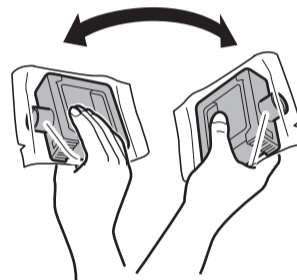


4 Continue puxando até que a alavanca de bloqueio do cartucho de tinta inteira esteja inclinada em sua direção.

- Certifique-se de que a alavanca do cartucho de tinta permaneça nesta posição.



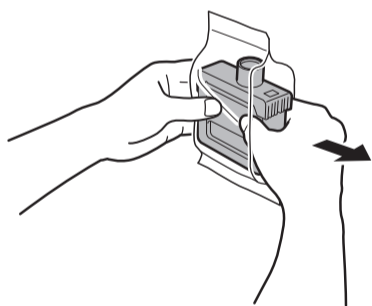
5 Agite gentilmente cada cartucho de tinta 7 ou 8 vezes antes de abrir o invólucro.



Importante

- Cartuchos de tinta não agitados previamente podem resultar em qualidade de impressão reduzida, pois os ingredientes da tinta se acumulam no fundo do cartucho.

6 Abra o compartimento e remova o cartucho de tinta.



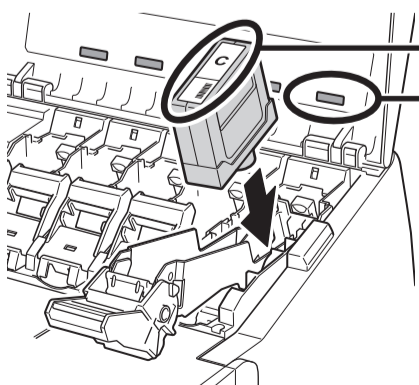
Importante

- Não encoste nos orifícios de tinta ou nos contatos de metal (a área cinza do diagrama).
Tocar estas partes pode causar manchas, danificar o cartucho de tinta e afetar a qualidade de impressão.
- Evite derrubar o cartucho de tinta após removê-lo do compartimento.
Caso contrário, pode haver vazamento de tinta e causar manchas.
- Não remova os cartuchos de tinta para agitá-los após terem sido montados.
Isto pode causar derramamento de tinta.



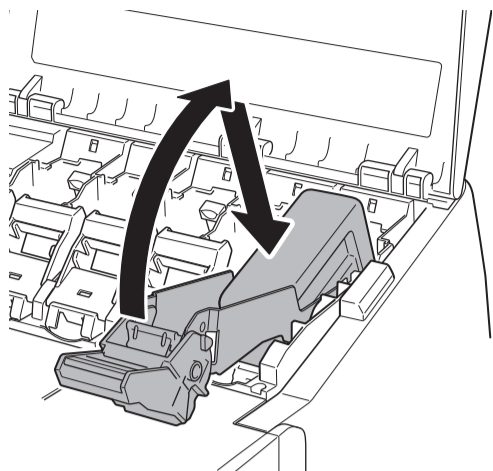
7 Verifique se a cor do cartucho de tinta é a mesma cor exibida no rótulo da impressora e insira o cartucho de tinta no suporte, respeitando a orientação exibida no diagrama.

- Ao inserir, certifique-se de que o rótulo do cartucho de tinta está voltando para cima e que o texto do rótulo não está de cabeça para baixo.

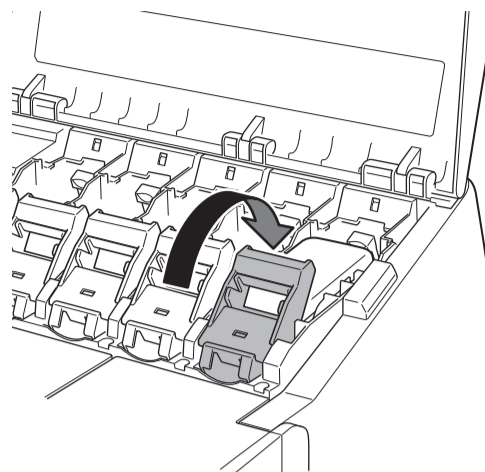


A cor do rótulo do cartucho de tinta deve corresponder à cor do rótulo da impressora

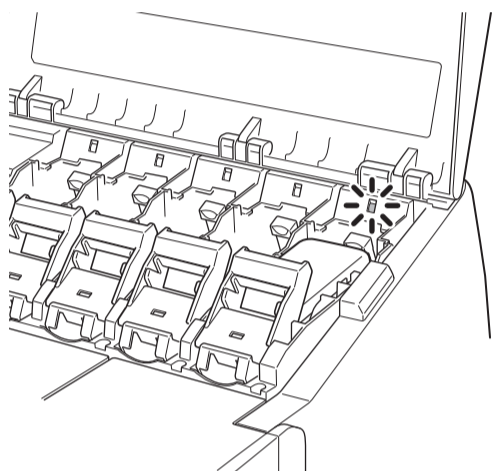
- 8** Levante a alavanca de bloqueio do cartucho de tinta uma vez e empurre-a para baixo.



- 9** Empurre firmemente para baixo a peça da alça da alavanca de bloqueio do cartucho de tinta de forma que entre totalmente.



- 10** Certifique-se que o indicador luminoso de tinta se acenda na cor vermelha.

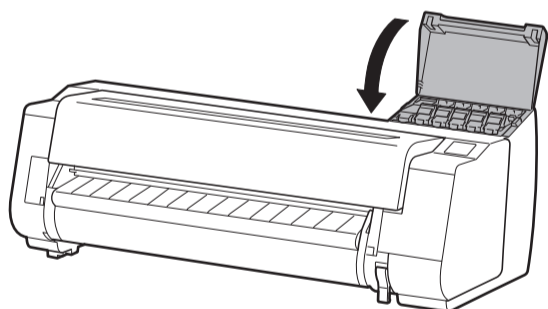


- 11** Repita as etapas 2 a 10 para instalar cada um dos cartuchos de tinta.

Importante

- Se o indicador luminoso de tinta não acender, repita as etapas 2 a 4 e 8 a 9.

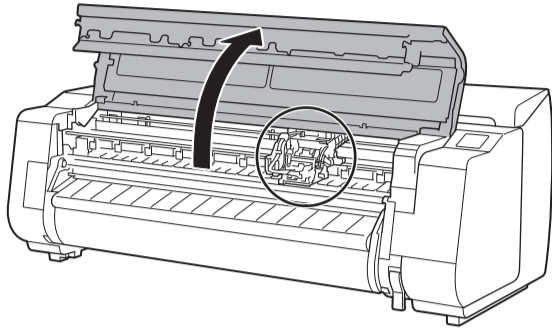
- 12** Feche a tampa do cartucho de tinta.



8 Instalação da cabeça de impressão

As Instruções sobre a instalação da cabeça de impressão agora são exibidas na tela sensível ao toque. Instale a cabeça de impressão seguindo as instruções.

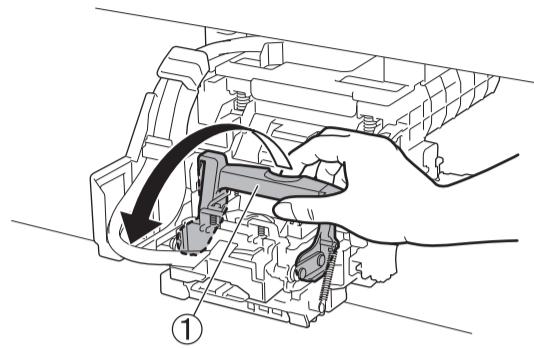
1 Abra a tampa superior.



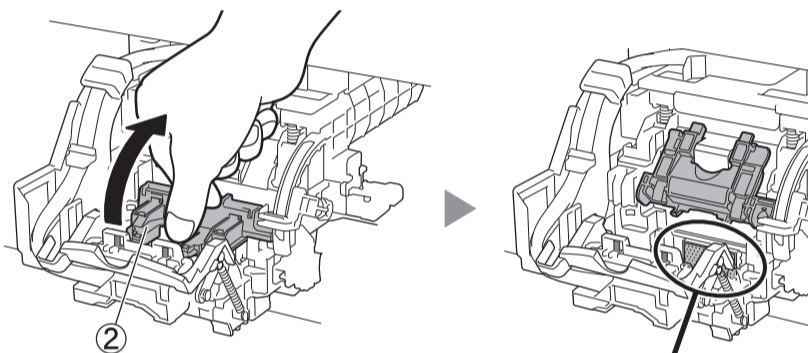
Importante

- Não mova o carro (a área circulada no diagrama). Caso você mover o carro acidentalmente, feche temporariamente a tampa superior e ele voltará a sua posição original.

2 Incline a alavanca de bloqueio da cabeça de impressão ① em direção a si.

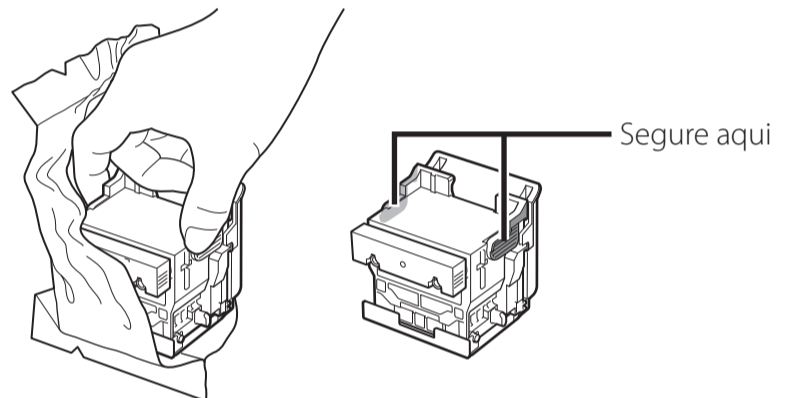


3 Abra a tampa de fixação da cabeça de impressão ② seguindo as instruções na tela e toque em **OK**. Não encoste nos contatos elétricos do carro.

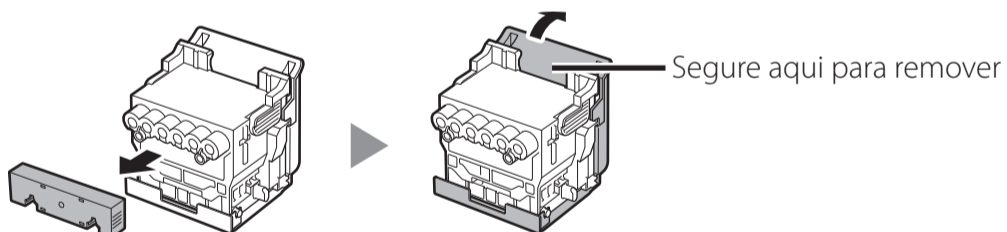


Não encoste aqui

4 Segure a cabeça de impressão conforme exibido no diagrama e remova-a da embalagem.

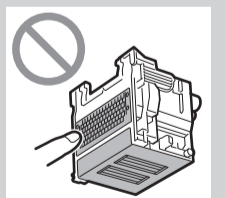
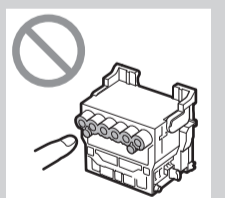


5 Remova as tampas de proteção laranja na ordem mostrada no diagrama.



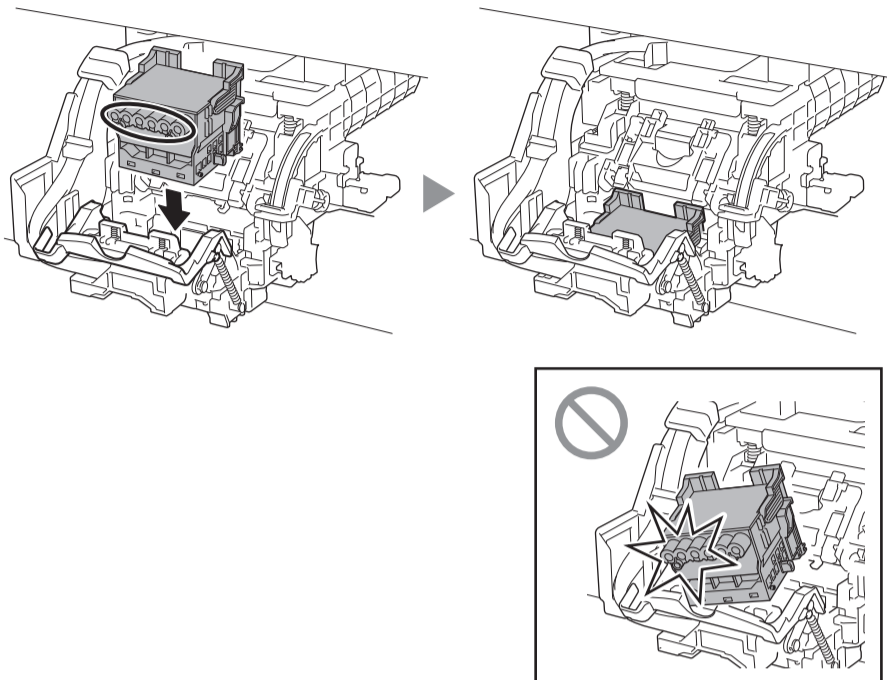
Importante

- Não encoste na parte que estava sendo protegida pela tampa de proteção (parte sombreada no diagrama) em circunstância alguma. Tocá-la pode causar danos severos à cabeça de impressão ou resultar em problemas de impressão.
- A cabeça de impressão é abastecida com tinta. Tome cuidado para evitar sujar suas roupas e itens em volta durante a remoção das tampas de proteção. Recomenda-se remover as tampas de proteção sobre a embalagem que continha a cabeça de impressão.
- Não recoloque as tampas de proteção após removê-las. Além disso, descarte estes materiais de acordo com a legislação local.

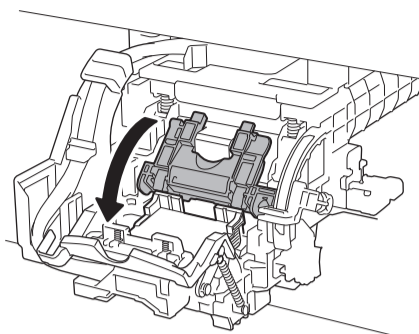


6 Instalar a cabeça de impressão.

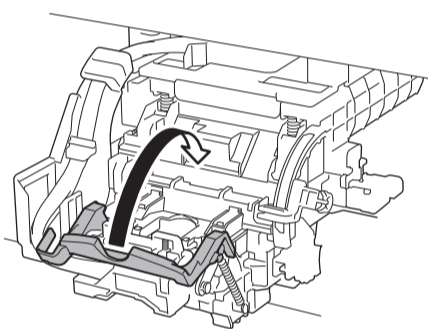
- Alinhe a cabeça de impressão para que a área circulada no diagrama esteja voltada em sua direção e, com cuidado, empurre a cabeça de impressão firmemente para dentro da impressora, certificando-se de que a peça coberta pelas tampas de proteção não entre em contato com o carro.



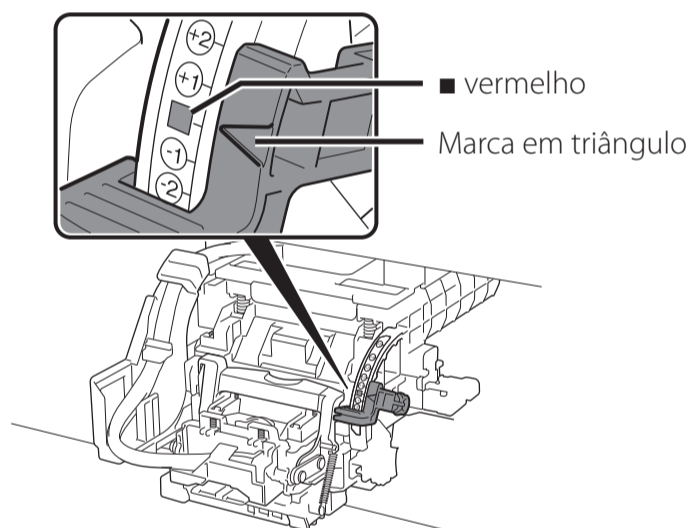
7 Puxe a tampa de fixação da cabeça de impressão para baixo, em direção a você, para travar a cabeça de impressão no lugar.



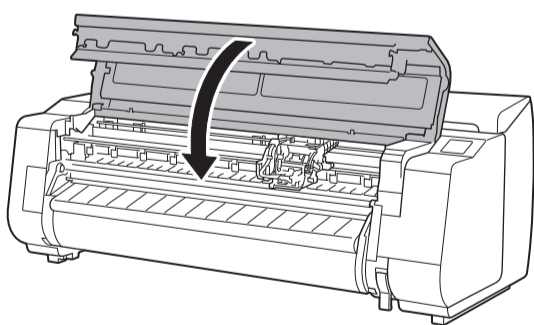
8 Empurre a alavanca de bloqueio da cabeça de impressão até o fim.



9 Verifique se a marca em triângulo na alavanca de ajuste de ângulo está alinhada com o ■ vermelho. Se eles não estiverem alinhados, mova a alavanca de ajuste de ângulo para cima ou para baixo para alinhá-la com o ■.



10 Feche a tampa superior.



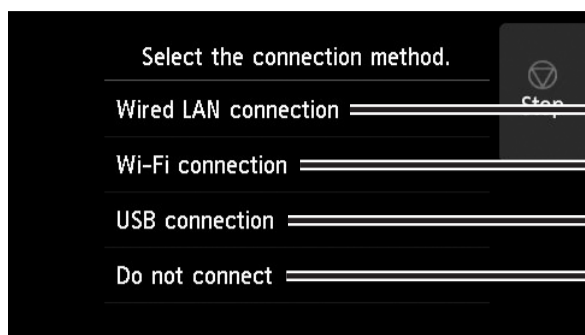
Nota

- Se a unidade em rolo estiver instalada, a calibração da unidade em rolo inicia automaticamente após a anexação da cabeça de impressão.
Se o suporte do rolo estiver instalado na unidade em rolo neste momento, não será possível executar a calibração. Não instale o suporte do rolo na unidade em rolo até finalizar a montagem.

9 Seleção do método de conexão ao seu computador



Quando algo similar à imagem a seguir for exibido na tela sensível ao toque, selecione o método de conexão.



Conectar a impressora a uma rede usando um cabo LAN.

Conectar a impressora a uma rede sem fio sem usar um cabo LAN.

Conectar a impressora a um computador usando um cabo USB.

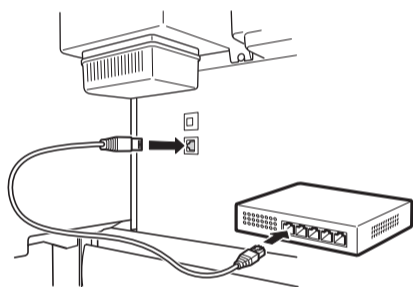
Selecionar essa opção quando conectar usando um endereço IP ou similar. As configurações de conexão e a instalação do software precisarão ser realizadas separadamente. Inicie as configurações a partir da tela sensível ao toque da impressora.

Conexão LAN com fio (Wired LAN connection)

- 1 Selecione **Conexão LAN com fio (Wired LAN connection)**. Verifique a mensagem sobre o método de conexão e selecione **Sim (Yes)** se não houver problemas.

- Aparece uma mensagem solicitando que você conecte o cabo LAN.

- 2 Use o cabo LAN para conectar o conector da LAN com fio, localizado na parte traseira da impressora, à porta hub.



- 3 Selecione **OK** e prossiga para "Instalação do software no seu computador" (p 11).

Conexão Wi-Fi (Wi-Fi connection)

- 1 Selecione **Conexão Wi-Fi (Wi-Fi connection)**. Verifique a mensagem sobre o método de conexão e selecione **Sim (Yes)** se não houver problemas.

- Aparece uma mensagem solicitando que você configure a Conexão Wi-Fi (Wi-Fi connection).

- 2 Selecione **Sim (Yes)** e prossiga para "Instalação do software no seu computador" (p 11).

- Para definir as configurações a partir da impressora, selecione Não (No) e prossiga para "Definição das configurações de Wi-Fi na tela sensível ao toque da impressora" (coluna abaixo).

Conexão USB (USB connection)

- 1 Selecione **Conexão USB (USB connection)**. Verifique a mensagem sobre o método de conexão e selecione **Sim (Yes)** se não houver problemas.

- Não conecte o cabo USB ainda.

- 2 Selecione **OK** e prossiga para "Instalação do software no seu computador" (p 11).

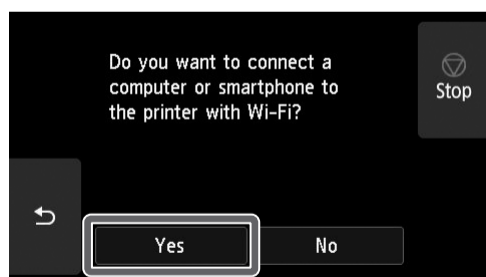
A impressora começa a carregar a tinta pela primeira vez* e a ajustar a cabeça de impressão. Este processo dura cerca de 25 minutos. Não abra as tampas da impressora ou desligue a alimentação neste período.

* Carrega a tinta entre o cartucho de tinta e a cabeça de impressão, e realiza a limpeza para manter a impressora nas condições ideais. Isso poderá fazer com que o indicador de tinta restante e o indicador de capacidade do cartucho de manutenção diminuam a quantidade exibida. Os cartuchos de tinta iniciais são para a instalação inicial, portanto, recomenda-se adquirir cartuchos de tinta de substituição prontamente.

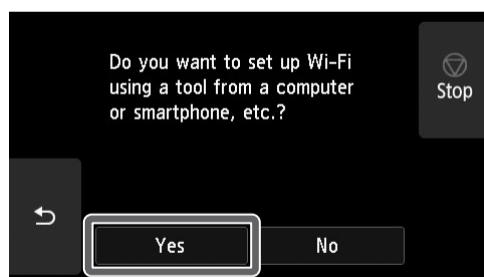
Definição das configurações de Wi-Fi na tela sensível ao toque da impressora

Para conexão Wi-Fi

- 1 Verifique se a tela a seguir aparece e selecione **Sim (Yes)**.

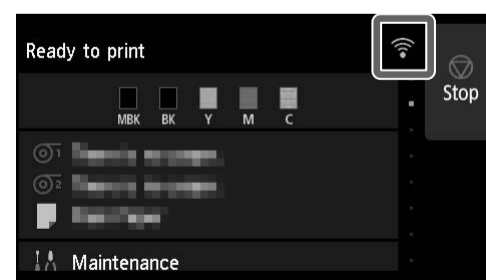


- 2 Verifique se a tela a seguir aparece e selecione **Sim (Yes)**.



- 3 Configure as definições seguindo as instruções na tela.

- Quando a tela inicial e (rede) aparecer, as configurações de Wi-Fi estão completas.



- 4 Prossiga para "Instalação do software no seu computador" (p. 11).

Nota

- Se as mensagens **Verificando o bocal (Checking the nozzle)**, **Preenchendo a cabeça de impressão com tinta... (Preparing the ink system)** ou **Limpendo... (Cleaning...)** forem exibidas, as configurações iniciais da impressora não foram finalizadas. Espere até a tela acima aparecer.

10 Instalação do software no seu computador

As configurações de conexão à impressora e a instalação do software são realizadas usando um computador. Você pode fazer o download dos arquivos de configuração no nosso site. Se estiver usando um PC Windows, também é possível executar o arquivo a partir do CD-ROM.

Download do site (Windows/macOS)

1 Acesse o site da Canon no seu computador.

<https://ij.start.canon/TX-4100>

Este é o exemplo de entrada para o modelo TX-4100.

Insira o número do modelo da impressora que você está usando.

2 Clique em **Download** para fazer o download do arquivo de configuração e execute o arquivo.

- Se aparecer uma tela de aviso sobre o download, selecione **Não bloquear (Do not block), Permitir (Allow)**, etc. e prossiga para a próxima etapa.

Click Download on the computer to which you want to connect the printer



Inicialização a partir do CD-ROM fornecido (Windows)

Se estiver usando o Windows 10 ou Windows 8.1




1 Insira o CD-ROM de instalação no computador.



2 Clique na mensagem popup do drive de disco e clique em **Executar Msetup4.exe (Run Msetup4.exe)** na tela exibida.

Nota

Se a mensagem não aparecer (ou se desaparecer)

- Clique em  ou  **Explorador de Arquivos (File Explorer)** na barra de ferramentas.
- Clique em **Este PC (This PC)** no lado esquerdo da janela que abrir.
- Clique duas vezes no ícone  CD-ROM no lado direito da janela.
- Se o conteúdo do CD-ROM aparecer, clique duas vezes em **Msetup4.exe**.

3 Se aparecer a caixa de diálogo **Controle de Conta de Usuário (User Account Control)**, clique em **Sim (Yes)** e prossiga para a próxima etapa.

Se estiver usando o Windows 7


1 Insira o CD-ROM de instalação no computador.



2 Quando aparecer a tela **Reprodução Automática (AutoPlay)**, clique em **Executar Msetup4.exe (Run Msetup4.exe)**.

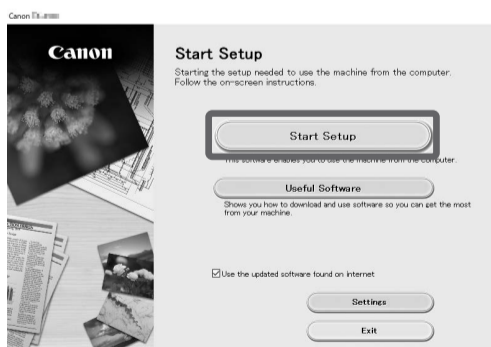
Nota

Se a tela **Reprodução Automática (AutoPlay)** não aparecer

- Clique em **Computador (Computer)** no menu Iniciar.
- Clique duas vezes no ícone  CD-ROM no lado direito da janela que abrir.
- Se o conteúdo do CD-ROM aparecer, clique duas vezes em **Msetup4.exe**.

3 Se aparecer a caixa de diálogo **Controle de Conta de Usuário (User Account Control)**, clique em **Sim (Yes)** e prossiga para a próxima etapa.

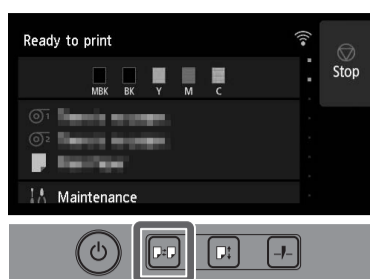
4 Clique em **Iniciar configuração (Start Setup)**. Configure as definições seguindo as instruções na tela.




Nota

- A tela para seleção do método de conexão da impressora poderá ser exibida durante a configuração das definições. Caso isso aconteça, selecione o método selecionado na p. 10 e clique em **Avançar (Next)** e continue com as demais configurações.
- Conecte o cabo USB ao local adequado seguindo na tela.

Carregamento do papel



1. Pressione  (Carregar).
2. Selecione o papel.
3. Realize as operações seguindo as instruções na tela.

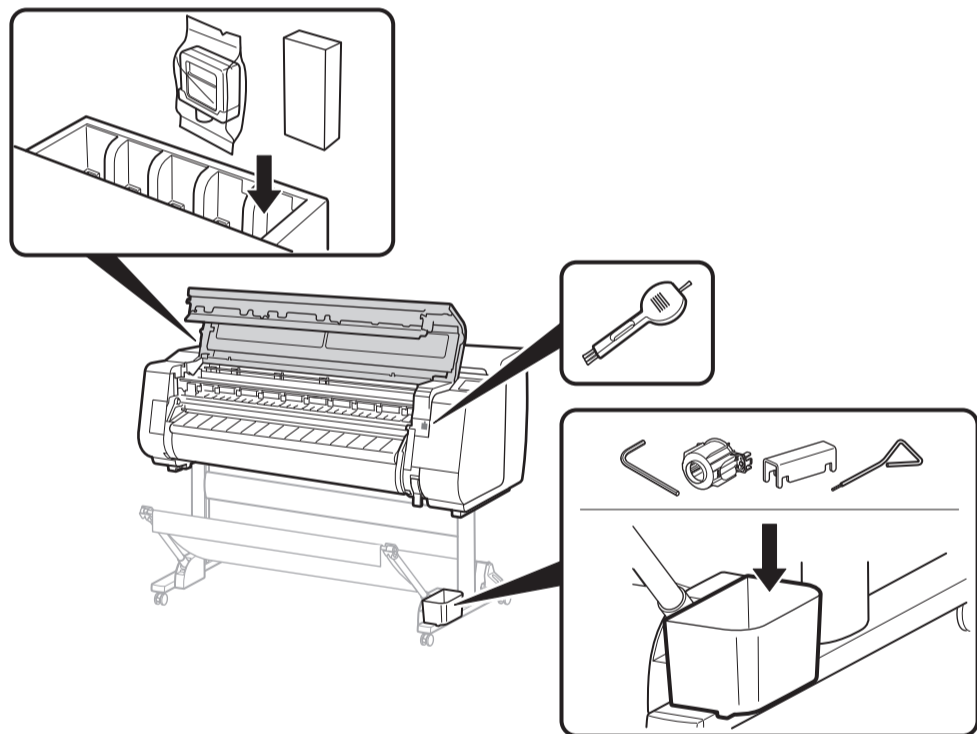
Local de armazenamento dos acessórios e consumíveis

Ao abrir a tampa superior, a escova de limpeza (para limpeza do interior) é armazenada na direita. O bolso acessório pode ser usado para armazenar acessórios como o anexo de núcleo de papel de 3 polegadas.

Você pode armazenar cartuchos de tinta adicionais na caixa de tinta de substituição.

Importante

- Não coloque um cartucho de tinta usado.



Impressão de um smartphone ou tablet

O software aplicativo "Canon PRINT Inkjet/SELPHY" possibilita a impressão fácil e sem fio de fotos armazenadas no seu smartphone ou tablet (com sistema operacional iOS ou Android).



iOS

Procure por "Canon Print" na App Store.

Android

Procure por "Canon Print" no Google Play.



Nota

- Você também pode baixar o aplicativo no site da Canon, que pode ser acessado a partir do código QR à direita.



Como exibir o Manual On-line

O Manual On-line descreve como usar a impressora. É possível acessá-lo no site da Canon, conforme exibido abaixo.

1 Acesse o site da Canon a partir de um dos métodos a seguir.

- Insira a URL

<https://ij.start.canon>

Selecione o número do modelo da impressora que você está usando.

- Digitalize o código QR



2 Selecione Ler o Manual On-line (Read Online Manual).

- Realize as operações restantes seguindo as instruções na tela para exibir o Manual On-line.

Marcas registradas

Windows é uma marca comercial ou marca comercial registrada da Microsoft Corporation nos EUA e/ou em outros países.

macOS e App Store são marcas comerciais da Apple Inc. registradas nos EUA e/ou em outros países.

iOS é uma marca comercial registrada ou marca comercial registrada da Cisco nos EUA e/ou em outros países e é utilizada sob licença.

Android é uma marca comercial ou marca comercial registrada da Google Inc.

Google Play e o logotipo do Google Play são marcas comerciais da Google LLC.

QR Code é uma marca comercial da DENSO WAVE INCORPORATED no Japão e/ou em outros países.

Responder a mensagens

Mensagens de erro podem aparecer na tela sensível ao toque do painel de controle durante a instalação da impressora. Elas nem sempre indicam um problema com a impressora, e a situação pode ser facilmente resolvida. As mensagens mais comuns e suas causas são listadas aqui com suas respectivas ações corretivas. Para obter detalhes sobre outras mensagens, consulte o Manual On-line.

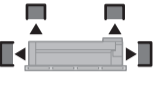
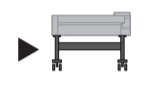
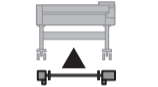

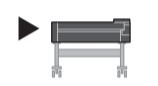

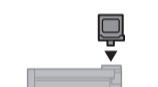



Mensagem	Causa	Ação corretiva
O cartucho de tinta não está instalado. Instale o cartucho de tinta adequadamente.	Não há nenhum cartucho de tinta carregado.	Instale ou reinstale o cartucho de tinta. (Consulte as etapas 1 a 12 na p. 6 e p 7)
	O cartucho de tinta não está encaixado completamente.	
A cabeça de impressão não pode ser reconhecida corretamente. Abra a tampa superior e instale a cabeça de impressão correta.	A cabeça de impressão não está instalada.	Instalar a cabeça de impressão. (Consulte as etapas 1 a 10 na p. 8 e p 9)
	Há falha de contato elétrico na cabeça de impressão.	Remova a cabeça de impressão, certifique-se de que não há detritos aderidos aos contatos elétricos da cabeça de impressão e do carro e reinstale a cabeça de impressão.
Erro de hardware ECxx-xxxx (x representa uma letra ou um número) Ocorreu um erro da impressora. Desligue o dispositivo, aguarde alguns minutos e ligue novamente.	O fixador da faixa ou a fita dentro da tampa superior não foi removido.	Desligue a impressora, abra a tampa superior e remova a fita e o fixador da faixa; então, ligue a impressora. (Consulte as etapas 1 a 4 na p. 5)
	Você pode ter encontrado um erro que não pode ser resolvido.	Desligue a impressora e aguarde pelo menos 3 segundos antes de restaurar a alimentação. Se a mensagem aparecer novamente, anote o código e a mensagem do erro, desligue a impressora e entre em contato com o seu revendedor Canon para obter ajuda.
Erro Ecxx-xxxx (x representa uma letra ou um número) Ocorreu um erro da impressora. Consulte o manual e contate o centro de assistência.	Você pode ter encontrado um erro que não pode ser resolvido.	Anote o código e a mensagem do erro, desligue a impressora e entre em contato com o seu revendedor Canon para obter ajuda.

Notas

Para fines de explicación, las ilustraciones de este manual hacen referencia a TX-4100 a modo de ejemplo. Tenga en cuenta que, en algunos casos, la impresora podría ser diferente de estas ilustraciones. Las especificaciones y la apariencia de este producto podrían cambiar sin previo aviso.

Información general sobre la configuración

Configure la impresora de acuerdo con el siguiente procedimiento. Tenga en cuenta que si aparece un mensaje de error durante la configuración o se produce algún otro problema, deberá consultar "Respuesta a los mensajes" en la p. 13.

	1 Retirada del material de embalaje	Página 4
	2 Montaje del Soporte de la impresora	Página 4
	3 Conexión de la unidad de rollo	Página 4
	4 Montaje del apilador	Página 4
	5 Instalación de la impresora	Página 4
	6 Encendido de la impresora	Página 5
	7 Instalación de los depósitos de tinta	Página 6
	8 Instalación del cabezal de impresión	Página 8
	9 Selección del método de conexión a su ordenador	Página 10
	10 Instalación del software en su ordenador	Página 11

Carga del papel Página 12

Ubicación de almacenamiento para accesorios y consumibles Página 12

Impresión desde un teléfono inteligente o tableta Página 12

Visualización del Manual en línea Página 12

Respuesta a los mensajes Página 13

Confirmación del espacio de instalación

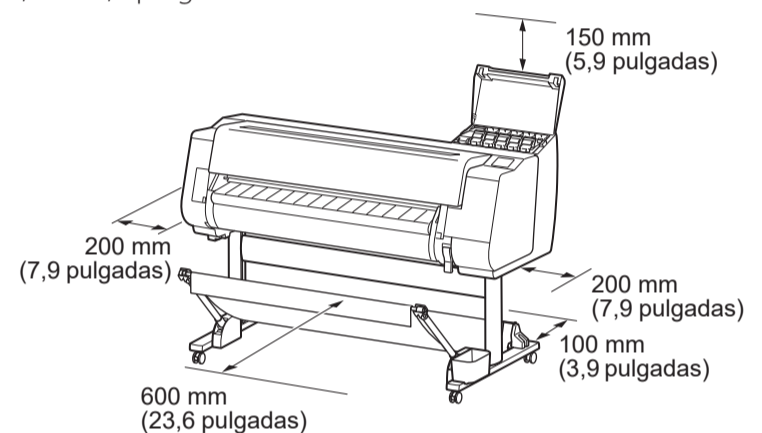
Al instalar la impresora, se recomienda asegurarse de tener el espacio que se indica a continuación alrededor de la impresora.

Importante

- El soporte de la impresora, la unidad de rollo y el apilador podrían ser opciones en función del modelo que haya adquirido. Tenga en cuenta que el espacio necesario diferirá en función de que las opciones se utilicen o no.
- El espacio requerido delante de la impresora variará dependiendo de cómo se utilice la cesta.

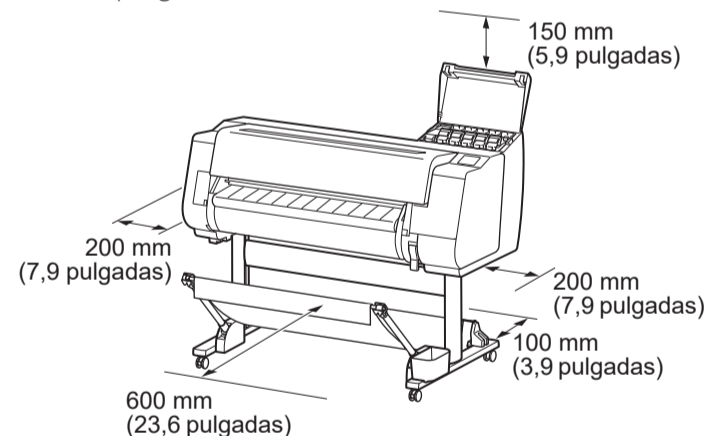
TX-4100

Espacio requerido (an. x pr. x al.)
 1.993 × 1.684 × 1.560 mm
 78,5 × 66,3 × 61,5 pulgadas



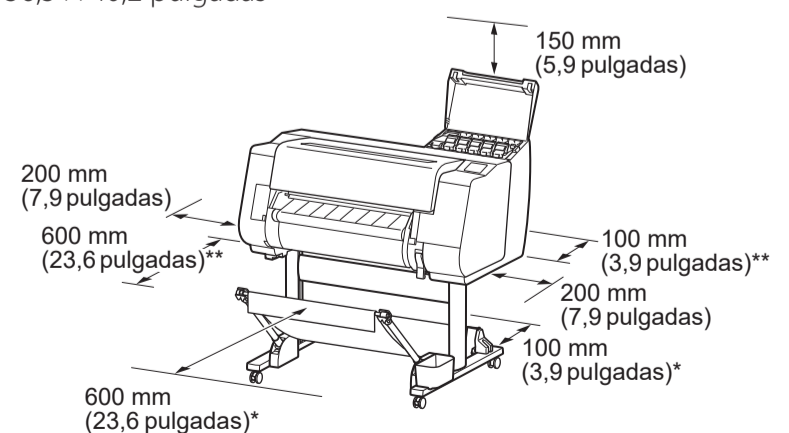
TX-3100

Espacio requerido (an. x pr. x al.)
 1.790 × 1.684 × 1.560 mm
 70,5 × 66,3 × 61,5 pulgadas



TX-2100

Espacio requerido* (an. x pr. x al.)
 1.510 × 1.684 × 1.560 mm
 59,5 × 66,3 × 61,5 pulgadas
 Espacio requerido** (an. x pr. x al.)
 1.510 × 1.434 × 1.020 mm
 59,5 × 56,5 × 40,2 pulgadas



* Cuando se usa el soporte de la impresora SD-21

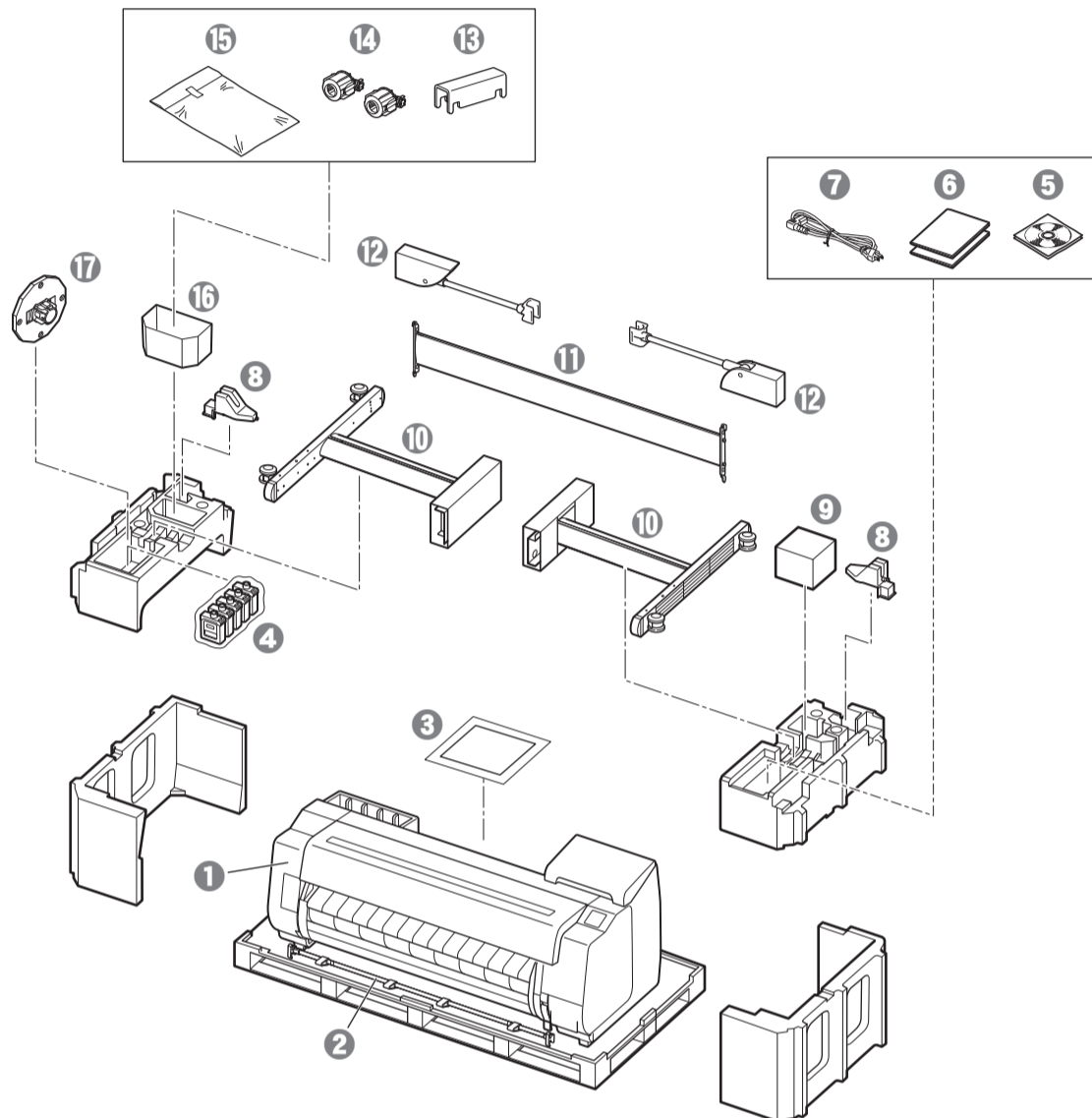
** Cuando no se usa el soporte de la impresora

Contenido de la caja

Compruebe que la caja incluya los siguientes accesorios. Tenga en cuenta que no se suministra junto con la impresora un cable para conectar la impresora a un ordenador.

Nota

- Aunque los accesorios incluidos contienen también elementos que no se explican en este manual, debe almacenarlos sin perder ninguno debido a que estos serán necesarios para usar distintas funciones.
- Para encontrar instrucciones sobre el uso de elementos no descritos en este manual, consulte el Manual en línea y siga las instrucciones en "Visualización del Manual en línea" en la p. 12.



- 1 Impresora
- 2 Varilla de la cesta / Tela de la cesta *2
- 3 Guía de configuración (este manual)
- 4 Depósitos de tinta iniciales
- 5 Juego de CD-ROMs
- 6 Juego de documentos de la impresora
- 7 Cable de alimentación
- 8 Soporte de la varilla (2 unidades) *2
- 9 Cabezal de impresión
- 10 Patas del soporte (2 unidades) *1
- 11 Travesaño del soporte *1
- 12 Brazo de la cesta (2 unidades) *2
- 13 Soporte de bloqueo de cesta (2 unidades) *2
- 14 Sujeción de tubo de papel de tres pulgadas (2 unidades)
- 15 Juego de soportes de montaje del soporte de la impresora *1
- 16 Compartimento de accesorios *1
- 17 Tope del soporte *3

*1 Se incluye únicamente con modelos en los que el soporte de la impresora se ofrece de manera estándar. Tenga presente que podría incluirse en una caja aparte dependiendo de la región en la que compró la impresora. Los elementos incluidos con el soporte de la impresora se describen en la Guía de configuración del Soporte de la impresora.

*2 Dependiendo de su región, estos accesorios podrían no estar incluidos.

*3 Este se utiliza cuando se carga el rollo de papel. Para obtener detalles, consulte el Manual en línea.

Manuales incluidos con este producto

Guía de configuración (este manual)

Describe cómo configurar la impresora.

Guía de configuración del Soporte de la impresora

Describe cómo montar el soporte. Este artículo podría no estar incluido, dependiendo de su modelo.

Guía rápida

Contiene información relacionada con advertencias para usar este producto de manera segura así como información relacionada con la sustitución de papel, la sustitución de los depósitos de tinta y el cabezal de impresión.

Manual en línea (manuales electrónicos)

Este manual describe el uso avanzado de la impresora, como pueden ser consejos para ahorrar papel, cómo imprimir un póster y un anuncio con el software suministrado y el método de ajuste de la calidad de impresión, además de las instrucciones básicas para imprimir en rollo de papel o en hojas cortadas.

Para ver el Manual en línea, consulte "Visualización del Manual en línea" (p. 12).

■ Unidad de rollo

Se suministra como un accesorio opcional.

■ Apilador

Consulte las guías de configuración incluidas para los accesorios respectivos.

Precauciones de manipulación

⚠ Desplazamiento de la impresora

- Utilice el siguiente número de personas para agarrar las asas de transporte de cada lado de la base de la impresora. El peso podría causar dolor de espalda, entre otros.

TX-4100 (Aprox. 96 kg (211 lb))

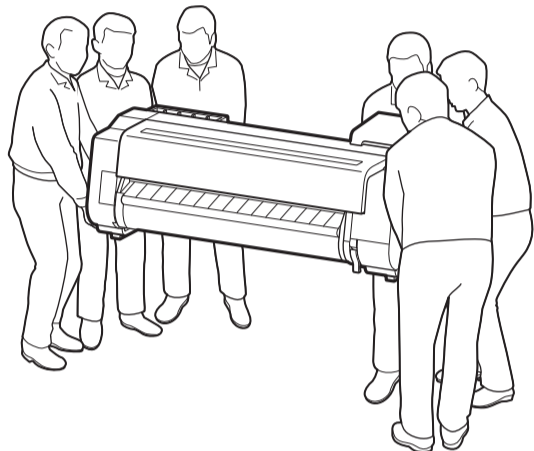
6 personas o más

TX-3100 (Aprox. 87 kg (191 lb))

6 personas o más

TX-2100 (Aprox. 74 kg (163 lb))

6 personas o más



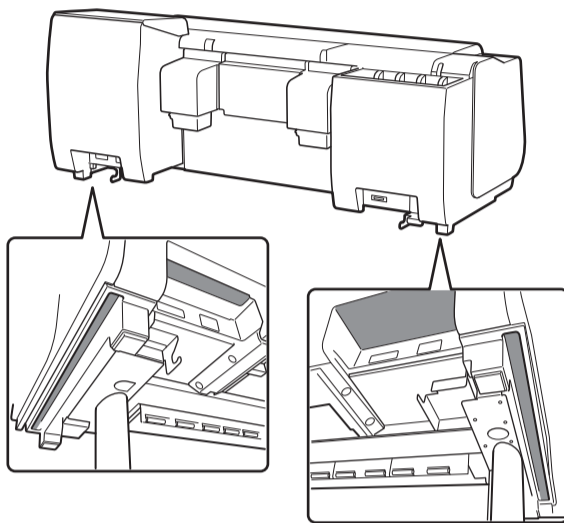
Para TX-4100

⚠ Levantamiento de la impresora

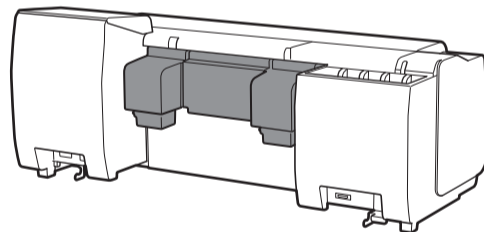
- Cuando levante la impresora, coloque un cartón u otro material debajo para evitar daños y arañazos, y asegúrese de que el lado con el panel de control quede hacia arriba. Adicionalmente, asegúrese de que el peso de la impresora sea tomado por la esquina de la impresora. Si el peso de la impresora fuera tomado por cualquier otra parte de la impresora, esta podría resultar dañada.



- Cuando transporte la impresora, agarre firmemente las asas de transporte de cada lado de la base (el área sombreada en el diagrama). Sostener la impresora por otras posiciones es peligroso y podría causar lesiones o daños a la impresora si la impresora se cayera.



- No sujete por ninguna otra posición que no sean las asas de transporte. En particular, no agarre las piezas de plástico de la superficie trasera de la impresora (el área sombreada en el diagrama).

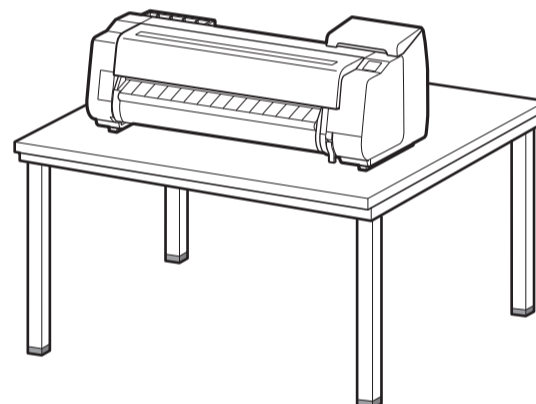


⚠ Otros

- No baje la impresora ni la transporte únicamente con el centro de la impresora apoyado. Esto podría causar daños en la impresora.

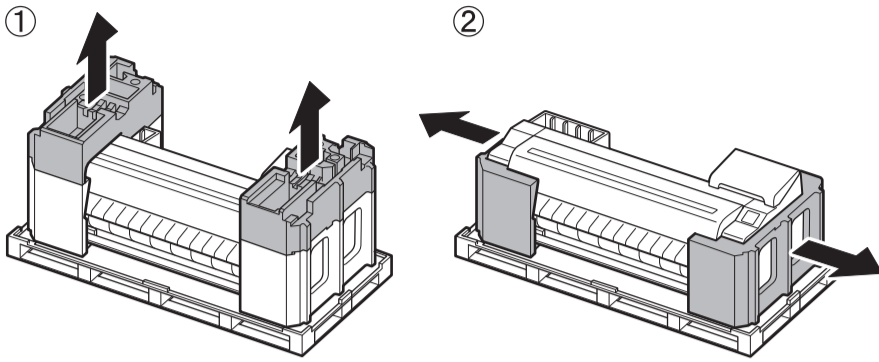


- Si tiene que dejar la impresora temporalmente, asegúrese de poner la impresora sobre una superficie plana y estable.

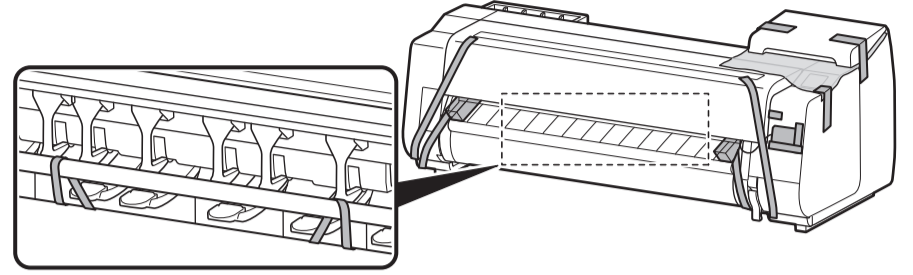


1 Retirada del material de embalaje

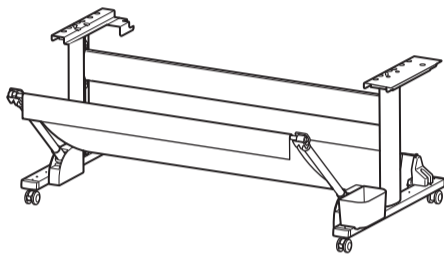
1 Retire el embalaje.



2 Retire toda la cinta y cualquier otro embalaje. Retire la cinta adherida al soporte del rollo.

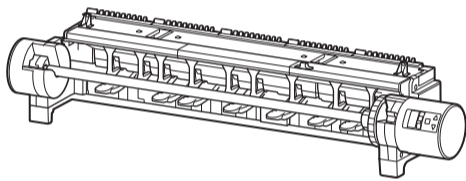


2 Montaje del Soporte de la impresora



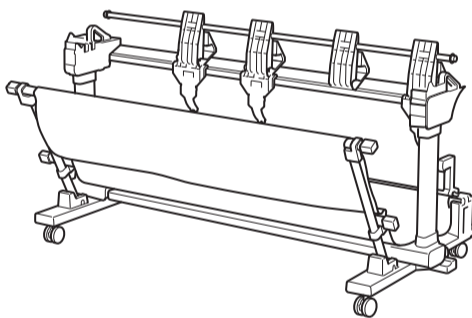
Monte el soporte de la impresora tomando como referencia la **Guía de configuración del Soporte de la impresora (manual aparte)**. Si fuera a utilizar el soporte, continúe con " **5** Instalación de la impresora".

3 Conexión de la unidad de rollo



Si hubiera comprado la unidad de rollo opcional, conecte la unidad de rollo tomando como referencia la **Guía de configuración de la unidad de rollo (manual aparte)**. Si no fuera a utilizar la unidad de rollo, continúe con " **6** Encendido de la impresora".

4 Montaje del apilador



Si hubiera comprado el apilador opcional, acople el apilador consultando la **Guía de instalación del apilador (manual aparte)**. Si no fuera a utilizar el apilador, continúe con " **6** Encendido de la impresora".

5 Instalación de la impresora

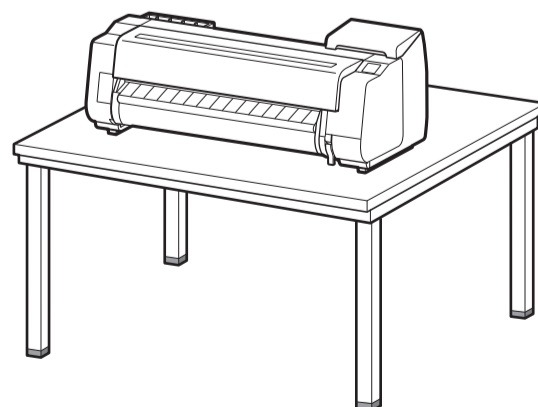
Si no fuera a utilizar el soporte, instale la impresora en una ubicación como la siguiente.

1 Levante la impresora.

- Para obtener una información detallada acerca de cómo transportar la impresora y el número de personas, consulte "Precauciones de manipulación" (p. 3).

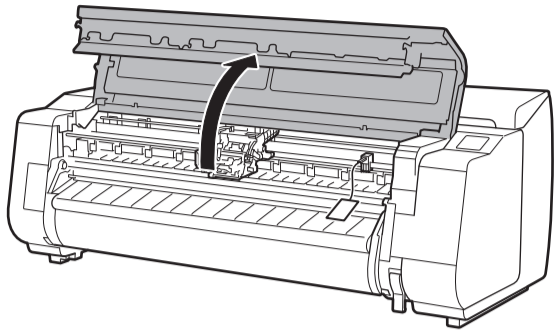


2 Coloque la impresora sobre una ubicación plana y estable.



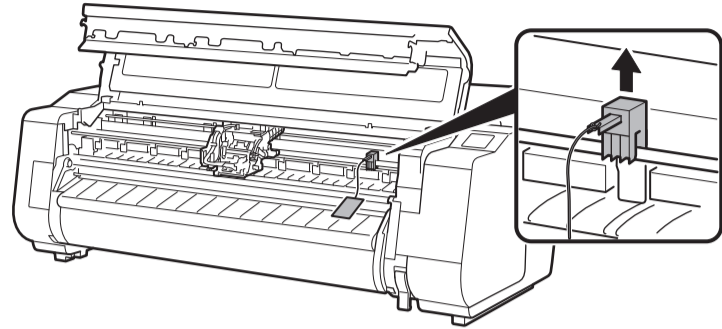
6 Encendido de la impresora

1 Abra la cubierta superior.



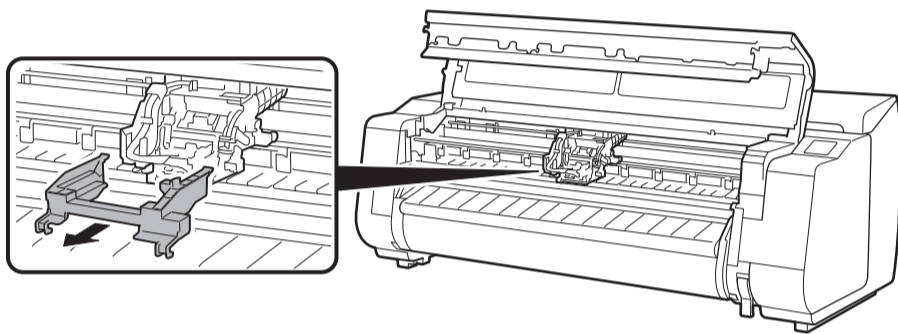
2 Levante y retire el tope de la correa.

- Guarde el tope de la correa para uso futuro. Lo necesitará en caso de que desplace la impresora a otra ubicación.

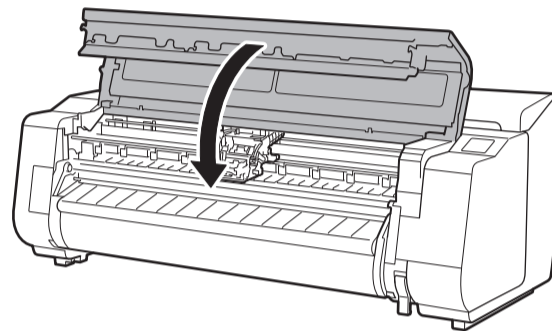


3 Retire la cinta y el material de protección.

- Quite la cinta fijada al carro y luego tire del material de protección (el área sombreada en el diagrama) hacia usted y retírelo. Quite la lámina de protección si hubiera una acoplada.



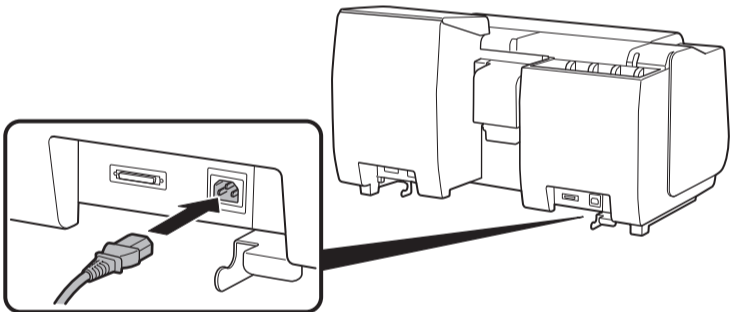
4 Cierre la cubierta superior.



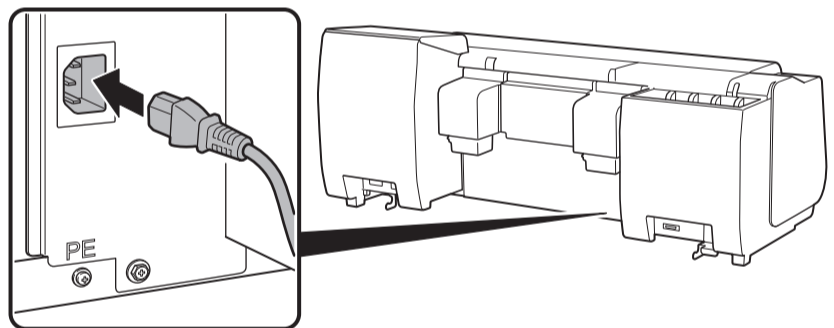
5 Conecte el cable de alimentación a la impresora.

- Inserte el cable de alimentación en el conector de alimentación de la parte trasera de la impresora.

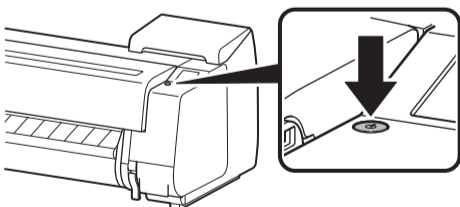
Para TX-2100 / TX-3100



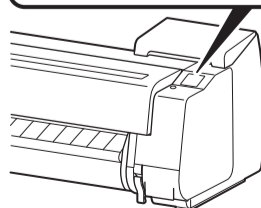
Para TX-4100



6 Enchufe el cable de alimentación a la toma de corriente y, a continuación, encienda la impresora.



7 Cuando aparezca la pantalla de selección de idioma en la pantalla táctil, seleccione y pulse un idioma (ligeramente con el dedo y luego retire el dedo). Después, si aparece la pantalla para seleccionar una zona horaria, seleccione y pulse su región.



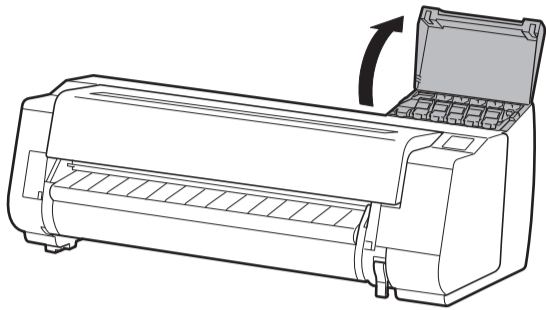
8 Al aparecer un mensaje solicitándole que inicie la configuración en la pantalla táctil, pulse **OK**.



7 Instalación de los depósitos de tinta

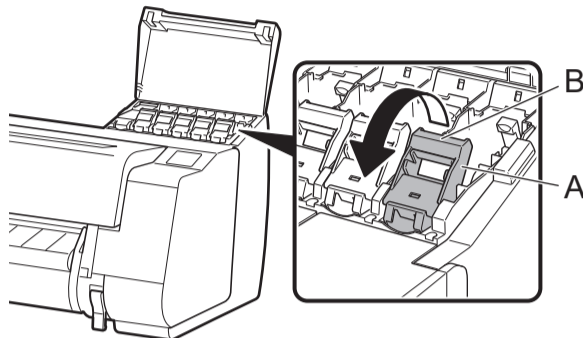
Las instrucciones sobre la instalación de los depósitos de tinta se muestran en la pantalla táctil. Instale los depósitos de tinta de acuerdo con las instrucciones. Si el depósito de tinta está frío, deje que se ajuste a la temperatura ambiente antes de colocarlo en la impresora.

1 Abra la cubierta del depósito de tinta.

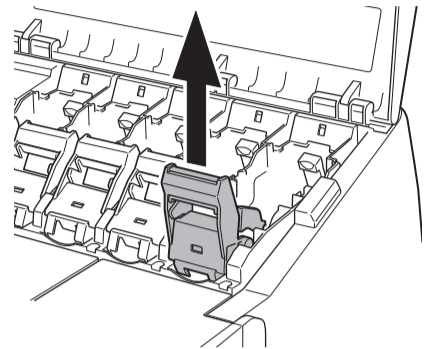


2 Libere la palanca de bloqueo del depósito de tinta del color que vaya a instalar.

- Mientras presiona el botón en la posición (B), levante la parte de la manilla (A) hacia usted.

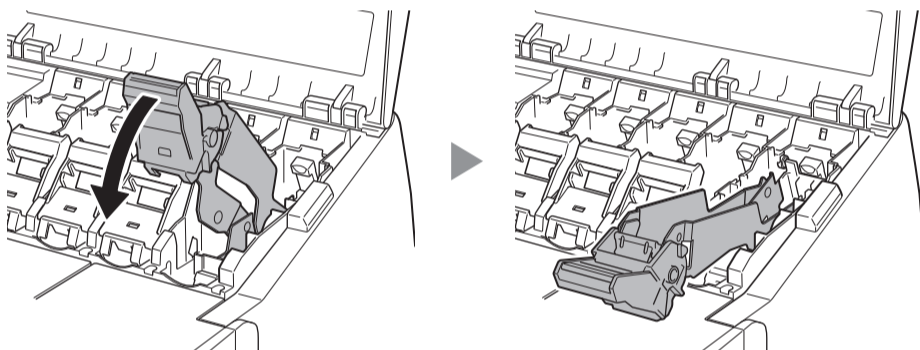


3 Con esta en este estado, tire de la palanca de bloqueo del depósito de tinta hacia arriba.

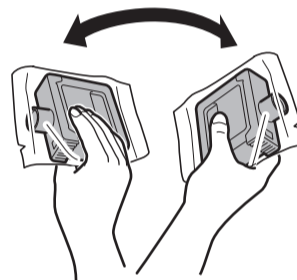


4 Continúe tirando hasta que la totalidad de la palanca de bloqueo del depósito de tinta esté inclinada hacia usted.

- Asegúrese de que la palanca del depósito de tinta permanezca en esta posición.



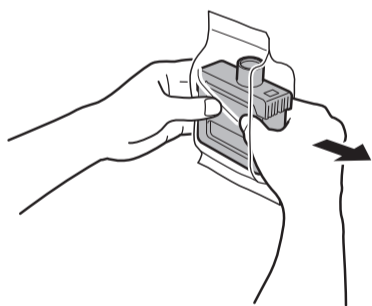
5 Agite suavemente cada depósito de tinta 7 u 8 veces antes de abrir su bolsa.



Importante

- El no agitar los depósitos de tinta puede resultar en la reducción de la calidad de impresión debido a que los ingredientes están sedimentados en el fondo del depósito.

6 Abra la bolsa y extraiga el depósito de tinta.



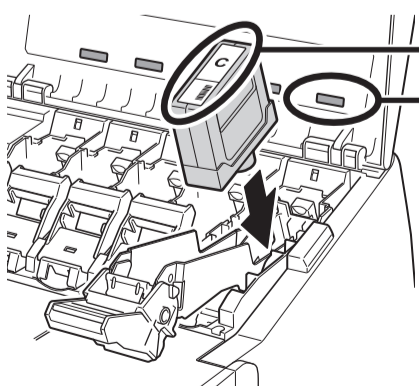
Importante

- No toque nunca los orificios de tinta o los contactos metálicos del depósito de tinta (el área que se ve sombreada en el diagrama). Si toca estas piezas, puede provocar manchas, dañar el depósito de tinta, y afectar a la calidad de impresión.
- Evite que el depósito de tinta se caiga después de retirarlo de la bolsa. De lo contrario, la tinta podría gotear y provocar manchas.
- No retire los depósitos de tinta para agitarlos una vez montados. Si lo hiciese, la tinta podría derramarse.



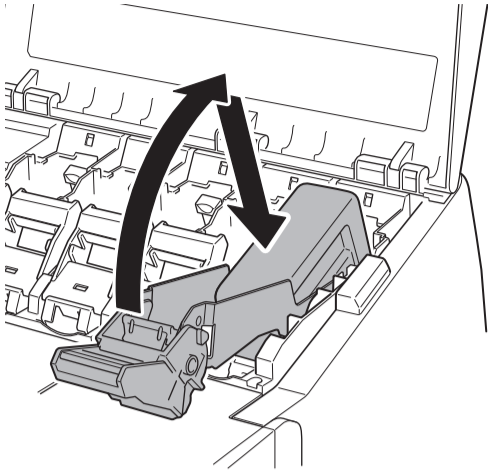
7 Compruebe que el color del depósito de tinta sea igual al que se muestra en la etiqueta en la impresora, e inserte el depósito de tinta en el soporte siguiendo la orientación mostrada en el diagrama.

- Inserte con la etiqueta del depósito de tinta hacia arriba y asegúrese de que el texto de la etiqueta no esté al revés.

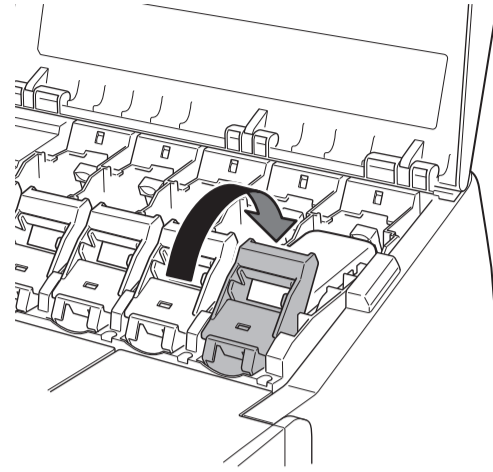


Haga coincidir el color de la etiqueta del depósito de tinta con el color de la etiqueta de la impresora

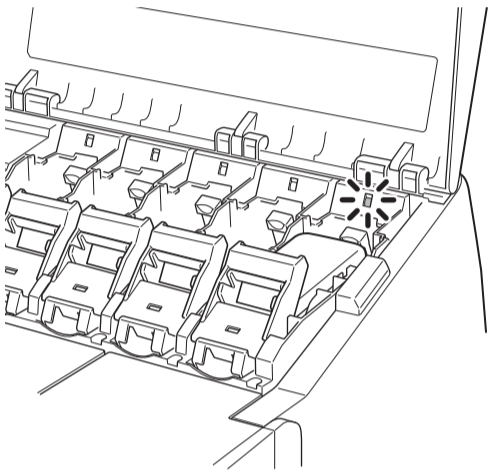
8 Levante la palanca de bloqueo del depósito de tinta una vez y luego empújela hacia abajo.



9 Empuje firmemente hacia abajo la parte de la manilla de la palanca de bloqueo del depósito de tinta en todo su recorrido.



10 Asegúrese de que la lámpara de tinta se ilumine en rojo.



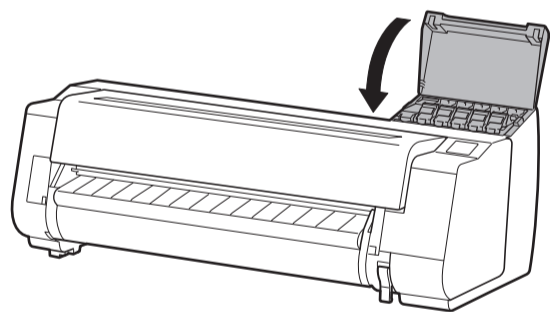
11 Repita los pasos 2 a 10 para instalar cada uno de los depósitos de tinta.



Importante

- Si la lámpara de tinta no se iluminara, repita los pasos 2 a 4 y 8 a 9.

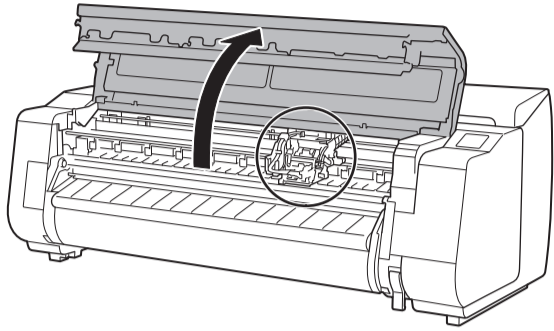
12 Cierre la cubierta del depósito de tinta.



8 Instalación del cabezal de impresión

Ahora se muestran en la pantalla táctil instrucciones relativas a la instalación del cabezal de impresión. Instale el cabezal de impresión siguiendo las instrucciones.

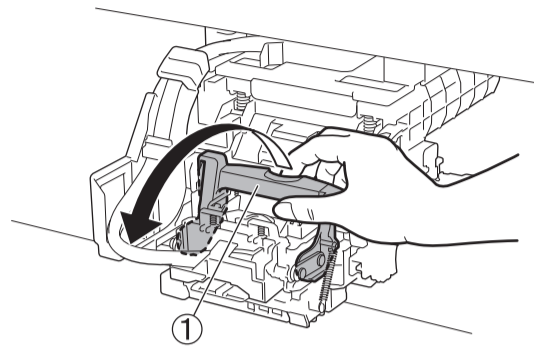
1 Abra la cubierta superior.



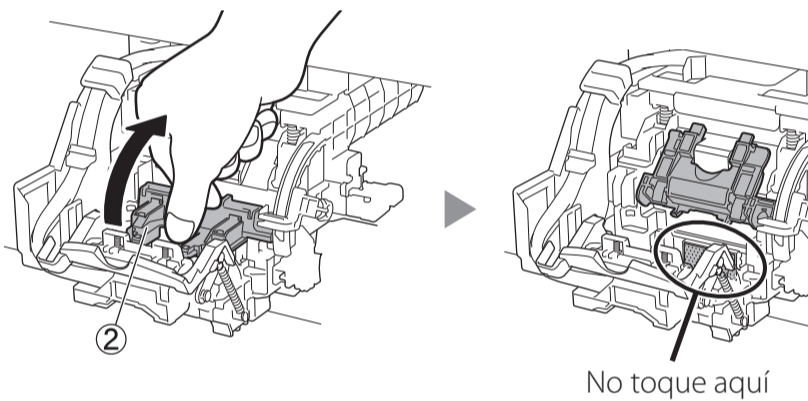
Importante

- No mueva el carro (el área encerrada en un círculo en el diagrama). Si lo mueve de manera accidental, cierre temporalmente la cubierta superior y esta regresará a su posición original.

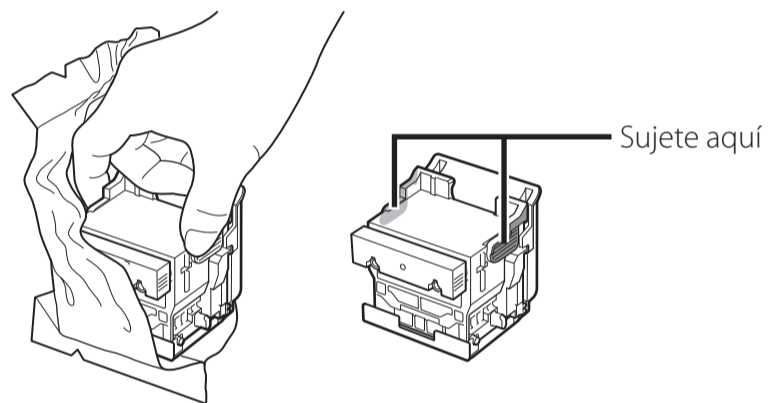
2 Incline la palanca de bloqueo del cabezal de impresión ① hacia usted.



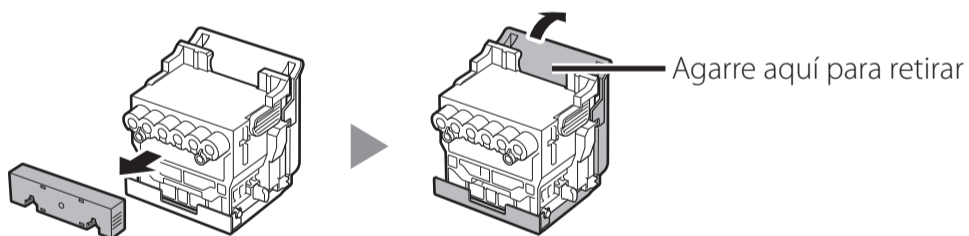
3 Abra la cubierta de bloqueo del cabezal de impresión ② siguiendo las instrucciones de la pantalla y pulse **Aceptar (OK)**. No toque los contactos eléctricos del carro.



4 Sujete el cabezal de impresión tal como se observa en el diagrama y retírelo de la bolsa.

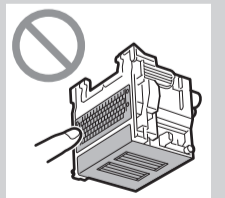
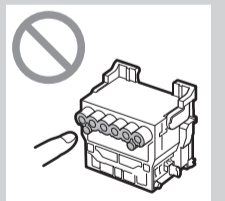


5 Retire las tapas protectoras de color naranja en el orden mostrado en el diagrama.



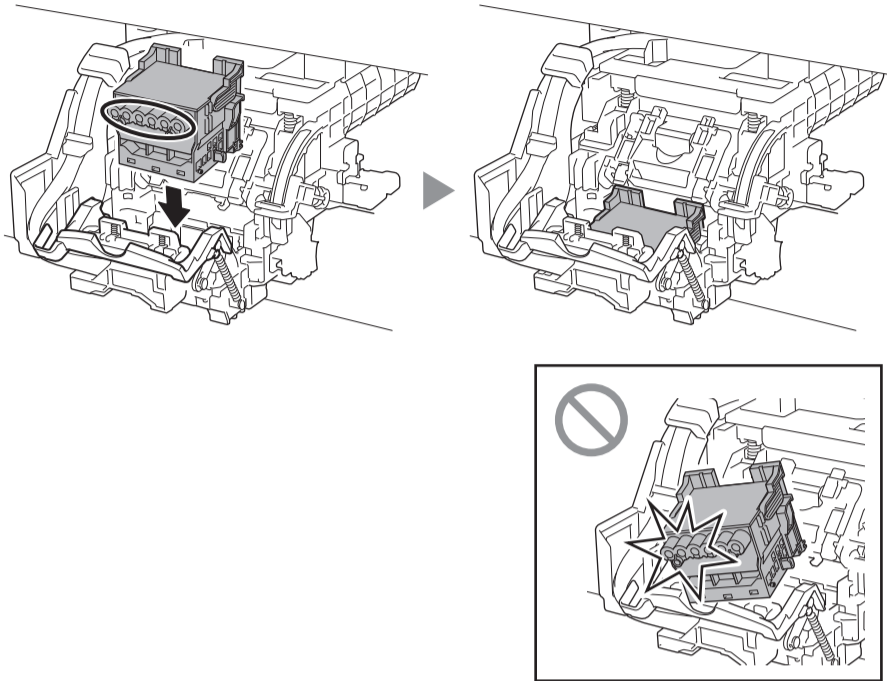
Importante

- No toque bajo circunstancia alguna la parte protegida por la tapa protectora (parte que se ve sombreada en el diagrama). Si la toca podría dañar el cabezal de impresión o tener problemas de impresión.
- El cabezal de impresión contiene tinta. Preocúpese por evitar que su ropa y los objetos cercanos se ensucien al retirar las tapas protectoras. Se recomienda retirar las tapas protectoras situadas sobre la bolsa que contenía el cabezal de impresión.
- No vuelva a colocar las tapas protectoras después de retirarlas. Además, descártelas de acuerdo con las normativas locales.

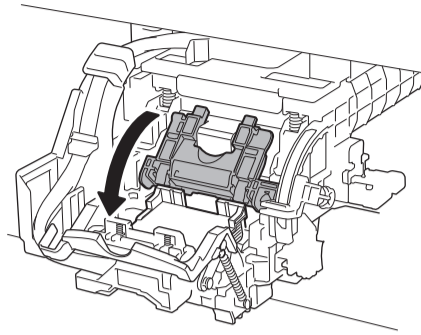


6 Instale el cabezal de impresión.

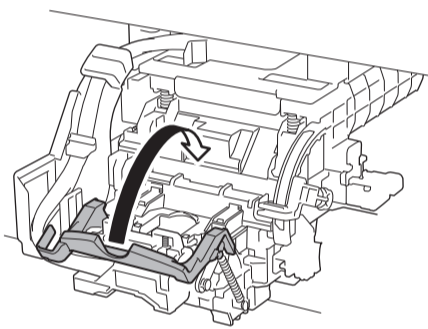
- Alinee el cabezal de impresión de manera que el área encerrada en un círculo en el diagrama esté frente a usted, y con cuidado empuje el cabezal de impresión hacia la impresora, asegurándose de que la parte cubierta por las tapas protectoras no toque el carro.



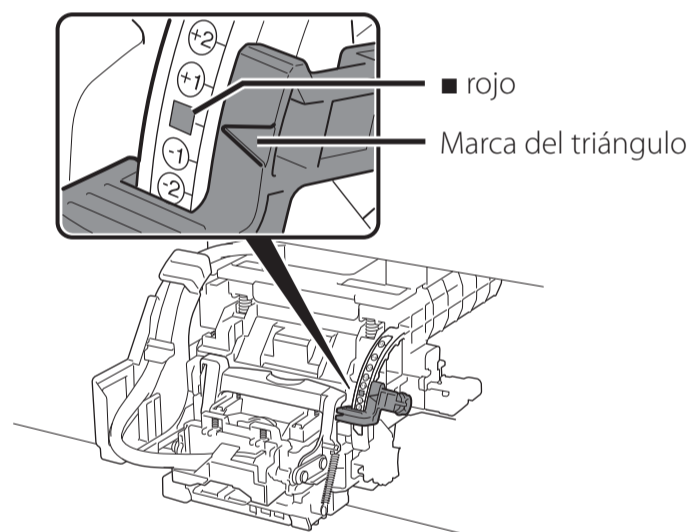
7 Baje la cubierta de bloqueo del cabezal de impresión hacia usted para asegurar el cabezal de impresión en su lugar.



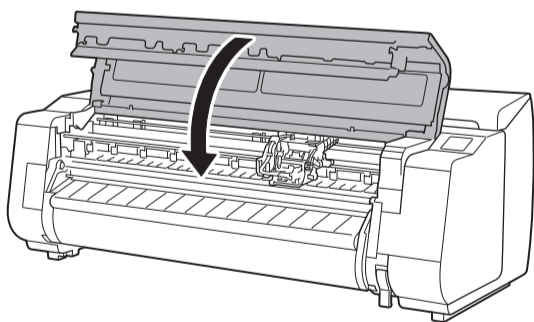
8 Empuje la palanca de bloqueo del cabezal de impresión hasta llegar al final.



9 Compruebe que la marca del triángulo de la palanca de ajuste de ángulo esté alineada con el ■ rojo. Si no estuvieran alineados, desplace la palanca de ajuste de ángulo hacia arriba o hacia abajo para alinearla con el ■.



10 Cierre la cubierta superior.

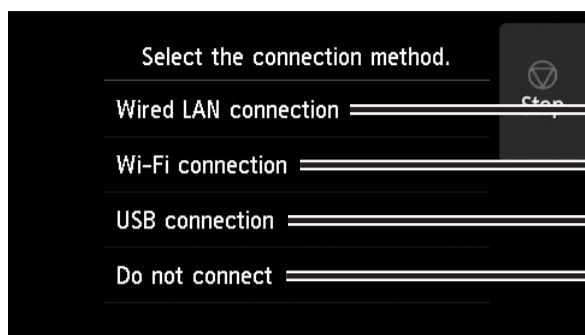


Nota

- Si la unidad de rollo estuviera instalada, la calibración de la unidad de rollo comenzará automáticamente tras el acoplamiento del cabezal de impresión. Si el soporte del rollo estuviera montado en la unidad de rollo en este momento, la calibración no podrá ejecutarse. No monte el soporte del rollo en la unidad de rollo hasta que no haya finalizado la configuración.

9 Selección del método de conexión a su ordenador

Cuando en la pantalla táctil vea algo parecido a lo anterior, debe seleccionar el método de conexión.



Conecte la impresora a la red con un cable LAN.

Conecte la impresora a la red de manera inalámbrica sin un cable LAN.

Conecte la impresora al ordenador con un cable USB.

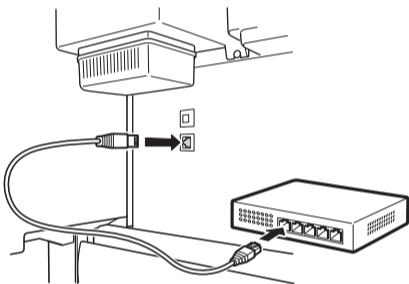
Seleccione esta opción cuando la conexión se haga a través de una dirección IP fija. Los parámetros de conexión y la instalación del software tendrán que realizarse por separado. Comience por los parámetros en la pantalla táctil de la impresora.

Conexión LAN cableada (Wired LAN connection)

- 1 Seleccione **Conexión LAN cableada (Wired LAN connection)**. Revise el mensaje acerca del método de conexión y seleccione **Sí (Yes)** si no hay problemas.

- Se muestra un mensaje solicitándole que conecte el cable LAN.

- 2 Use el cable LAN para conectar el conector de LAN cableada de la parte trasera de la impresora al puerto hub.



- 3 Seleccione **Aceptar (OK)** y proceda con "Instalación del software en su ordenador" (p. 11).

Conexión Wi-Fi (Wi-Fi connection)

- 1 Seleccione **Conexión Wi-Fi (Wi-Fi connection)**. Revise el mensaje acerca del método de conexión y seleccione **Sí (Yes)** si no hay problemas.

- Se mostrará un mensaje solicitándole que configure la conexión Wi-Fi.

- 2 Seleccione **Sí (Yes)** y continúe con "Instalación del software en su ordenador" (p. 11).

- Para configurar los parámetros de la impresora, seleccione **No** y continúe con "Configuración de los parámetros de Wi-Fi en la pantalla táctil de la impresora" (columna a continuación).

Conexión USB (USB connection)

- 1 Seleccione **Conexión USB (USB connection)**. Revise el mensaje acerca del método de conexión y seleccione **Sí (Yes)** si no hay problemas.

- No conecte todavía el cable USB.

- 2 Seleccione **Aceptar (OK)** y proceda con "Instalación del software en su ordenador" (p. 11).

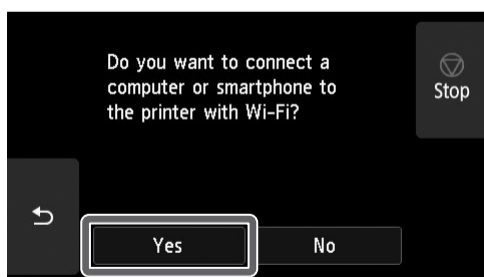
La impresora comenzará a cargar la tinta por primera vez* y a ajustar el cabezal de impresión. Esto requiere aproximadamente 25 minutos. No abra las cubiertas de la impresora ni la apague durante este tiempo.

* Carga tinta entre el depósito de tinta y el cabezal de impresión y realiza la limpieza para mantener la impresora en un estado óptimo. Es posible que esto haga que el indicador de tinta restante y el indicador de capacidad del cartucho de mantenimiento bajen un poco. Debido a que los depósitos de tinta iniciales incluidos son para la instalación inicial, se le recomienda comprar rápidamente los depósitos de tinta de repuesto.

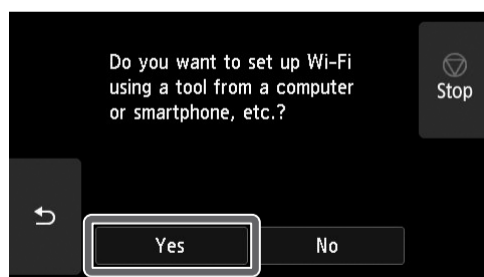
Configuración de los parámetros de Wi-Fi en la pantalla táctil de la impresora

Para conexión Wi-Fi


- 1 Compruebe que aparezca la siguiente pantalla y seleccione **Sí (Yes)**.

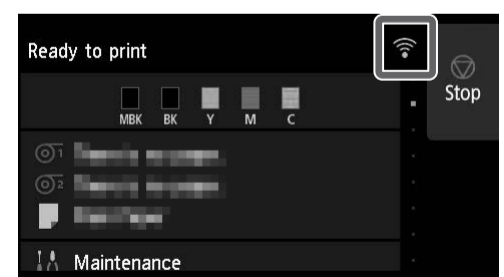


- 2 Compruebe que aparezca la siguiente pantalla y seleccione **Sí (Yes)**.



- 3 Efectúe la configuración siguiendo las instrucciones en la pantalla.

- Cuando aparezca la pantalla de inicio y  (red), la configuración de Wi-Fi está completa.



- 4 Proceda con "Instalación del software en su ordenador" (p. 11).

Nota

- Si se muestra **Comprobación de los inyectores (Checking the nozzle), Rellenando el cabezal de impresión con tinta... (Preparing the ink system) o Limpiando... (Cleaning...)**, esto indica que no concluyó la configuración de los parámetros iniciales de la impresora. Espere hasta que aparezca la pantalla de arriba.

10 Instalación del software en su ordenador

Los parámetros de conexión de la impresora y la instalación del software se efectúan con un ordenador. Puede descargar el archivo de configuración desde nuestro sitio web. Si está usando un PC con Windows, también puede ejecutar el archivo desde el CD-ROM.

Descarga del sitio web

(Windows/macOS)

1 Vaya al sitio web de Canon en su ordenador.

<https://ij.start.canon/TX-4100>

Esta es la entrada de ejemplo para TX-4100.

Introduzca el número de modelo de la impresora que esté utilizando.

2 Haga clic en **Descargar (Download)** para descargar el archivo de configuración y, a continuación, ejecute el archivo.

- Si se muestra una pantalla de advertencia acerca de la descarga, seleccione **No bloquear (Do not block), Permitir (Allow)**, etc. y, a continuación, continúe con el paso siguiente.

• Click Download on the computer to which you want to connect the printer.



Arranque desde el CD-ROM incluido (Windows)

■ Si está usando Windows 10 o Windows 8.1



1 Inserte el CD-ROM de instalación en el ordenador.



2 Haga clic en el mensaje emergente para la unidad de disco y haga clic en **Ejecutar Msetup4.exe (Run Msetup4.exe)** en la pantalla que se muestra.

Nota

Si el mensaje no aparece (o ha desaparecido)

- ① Haga clic en  o  **Explorador de archivos (File Explorer)** en la barra de tareas.
- ② Haga clic en **Este equipo (This PC)** en el lado izquierdo de la ventana que se abre.
- ③ Haga doble clic en el icono del CD-ROM  en el lado derecho de la ventana.
- ④ Si aparece el contenido del CD-ROM, haga doble clic en **Msetup4.exe**.

3 Si aparece el cuadro de diálogo **Control de cuentas de usuario (User Account Control)**, haga clic en **Sí (Yes)** y continúe con el siguiente paso.

■ Si está usando Windows 7


1 Inserte el CD-ROM de instalación en el ordenador.



2 Cuando aparezca la pantalla **Reproducción automática (AutoPlay)**, haga clic en **Ejecutar Msetup4.exe (Run Msetup4.exe)**.

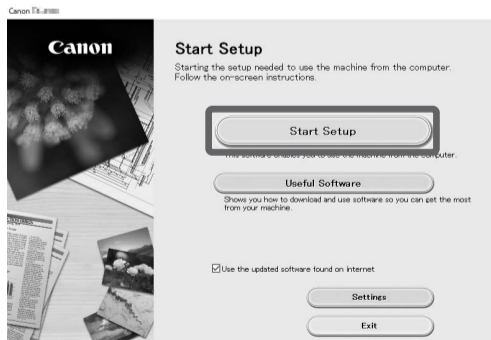
Nota

Si no aparece la pantalla **Reproducción automática (AutoPlay)**

- ① Haga clic en **Equipo (Computer)** desde el menú de inicio.
- ② Haga doble clic en el icono del CD-ROM  en el lado derecho de la ventana que se abre.
- ③ Si aparece el contenido del CD-ROM, haga doble clic en **Msetup4.exe**.

3 Si aparece el cuadro de diálogo **Control de cuentas de usuario (User Account Control)**, haga clic en **Sí (Yes)** y continúe con el siguiente paso.

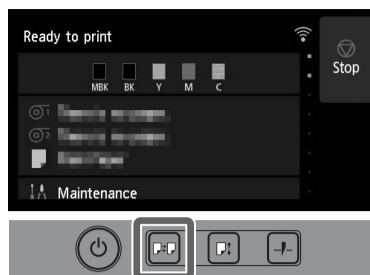
4 Haga clic en **Iniciar configuración (Start Setup)**. Efectúe la configuración siguiendo las instrucciones en la pantalla.



Nota

- Es posible que se muestre una pantalla para seleccionar el método de conexión de la impresora a mitad de la configuración. Si sucede esto, seleccione el método que seleccionó en la p. 10 y luego haga clic en **Siguiente (Next)** y continúe con el resto de la configuración.
- Conecte el cable USB en la ubicación correspondiente siguiendo las instrucciones de la pantalla.

Carga del papel



1. Pulse (Cargar).
2. Seleccione el papel.
3. Efectúe las operaciones siguiendo las instrucciones de la pantalla.

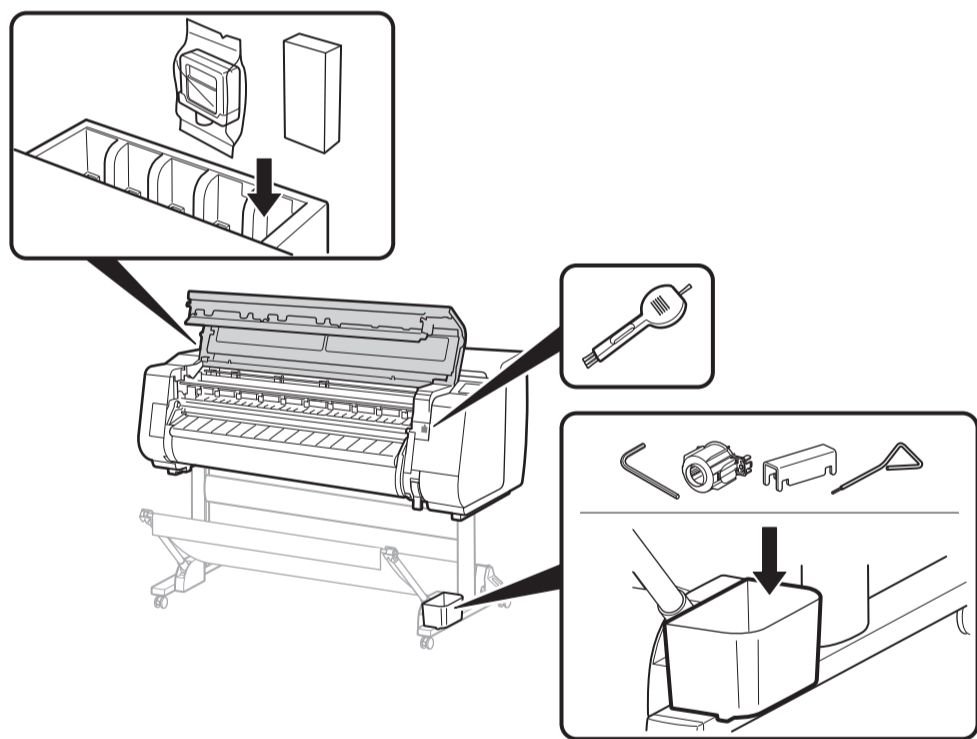
Ubicación de almacenamiento para accesorios y consumibles

Cuando abra la cubierta superior, verá un cepillo de limpieza (para limpiar el interior) almacenado en el lado derecho. El compartimento de accesorios puede usarse para guardar accesorios como la sujeción de tubo de papel de tres pulgadas.

Podrá almacenar depósitos de tinta de repuesto en la caja de reserva de tinta.

Importante

- No coloque un depósito de tinta usado.



Impresión desde un teléfono inteligente o tableta

Con el software de aplicación "Canon PRINT Inkjet/SELPHY", fácil y de manera inalámbrica usted puede imprimir fotos guardadas en su teléfono inteligente o tableta (con iOS o Android).



iOS

Busque "Canon Print" en App Store.

Android

Busque "Canon Print" en Google Play.



Nota

- También podrá descargar la aplicación accediendo al sitio web de Canon mediante el código QR de la derecha.



Visualización del Manual en línea

El Manual en línea describe cómo usar la impresora. Se puede acceder a este desde el sitio web de Canon tal como se muestra a continuación.

1 Acceda al sitio web de Canon a través de cualquiera de los siguientes métodos.

- Ingrese la URL

<https://ij.start.canon>

Seleccione el número de modelo de la impresora que esté utilizando.

- Escanee el código QR



2 Seleccione Leer el Manual en línea (Read Online Manual).

- Efectúe las operaciones restantes siguiendo las instrucciones de la pantalla para mostrar el Manual en línea.

Marcas comerciales

Windows es una marca comercial o marca comercial registrada de Microsoft Corporation en EE.UU. y/o en otros países.

macOS y App Store son marcas comerciales de Apple Inc., registradas en los EE.UU. y en otros países.

iOS es una marca comercial o registrada de Cisco en los EE.UU. y en otros países y se utiliza bajo licencia.

Android es una marca registrada o una marca comercial de Google Inc. Google Play y el logotipo de Google Play son marcas comerciales de Google LLC.

El código QR es una marca registrada de DENSO WAVE INCORPORATED en Japón y/o en otros países.

Respuesta a los mensajes

Es posible que aparezcan mensajes de error en la pantalla táctil del panel de control cuando configure la impresora. Esto podría no indicar un problema con la impresora, y que la incidencia pueda resolverse fácilmente. Los mensajes y las causas más comunes se muestran a continuación, junto con las acciones correctivas. Para más información sobre otros mensajes, consulte el Manual en línea.

Mensaje	Causa	Acción correctiva
El depósito de tinta no está instalado. Instale el depósito de tinta correctamente.	No hay ningún depósito de tinta cargado.	Instale o reinstale el depósito de tinta. (Consulte los pasos 1 a 12 de la p. 6 y de la p. 7)
	El depósito de tinta no encaja firmemente en su lugar.	
No se reconoce correctamente el cabezal de impresión. Abra la tapa superior e instale el cabezal de impresión correcto.	El cabezal de impresión no está instalado.	Instale el cabezal de impresión. (Consulte los pasos 1 a 10 de la p. 8 y de la p. 9)
	Falla del contacto eléctrico en el cabezal de impresión.	Retire el cabezal de impresión, asegúrese de que no haya suciedad adherida a los contactos eléctricos del cabezal de impresión y el carro, y después vuelva a instalar el cabezal de impresión.
Error de hardware ECxx-xxxx (x representa una letra o número) Error de impresora. Apague el dispositivo, espere un momento y enciéndalo de nuevo.	El tope de la correa o la cinta del interior de la cubierta superior no se han retirado.	Desconecte la alimentación, abra la cubierta superior, y retire la cinta y el tope de la correa; después encienda la alimentación. (Consulte los pasos 1 a 4 de la p. 5)
	Puede haber encontrado un error que no puede resolverse.	Apague la impresora y espere durante 3 o más segundos antes de volver a encenderla. Si vuelve a aparecer el mensaje, escriba el código de error y el mensaje, apague la impresora, y póngase en contacto con su distribuidor de Canon para obtener asistencia.
Error ECxxx-xxxx (x representa una letra o número) Error de impresora. Consulte el manual y contacte con el centro de servicio.	Puede haber encontrado un error que no puede resolverse.	Escriba el código de error y el mensaje, apague la impresora, y póngase en contacto con su distribuidor de Canon para obtener asistencia.

Notas
