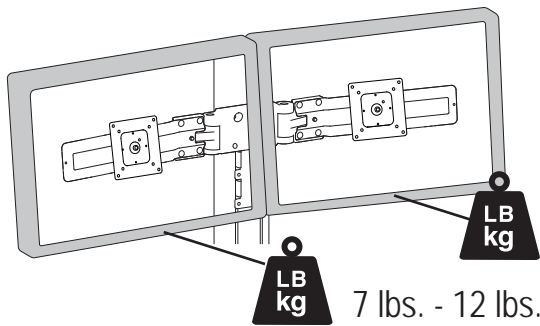


Styleview Dual Monitor Accessory

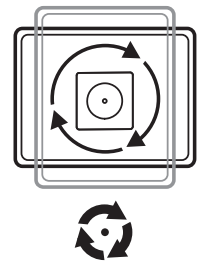
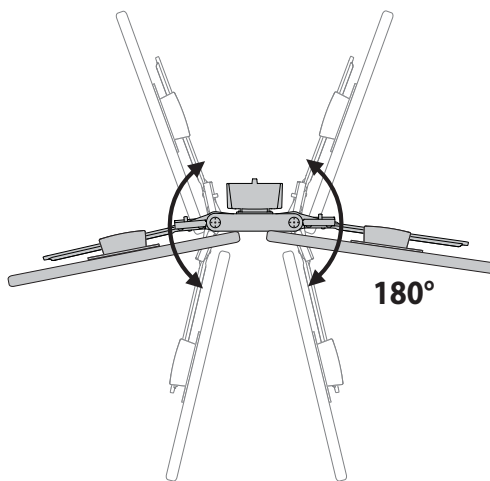
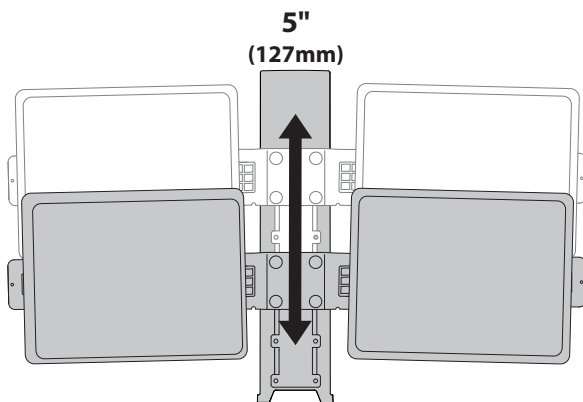


7 lbs. - 12 lbs.
(3.1 kg - 5.4 kg)

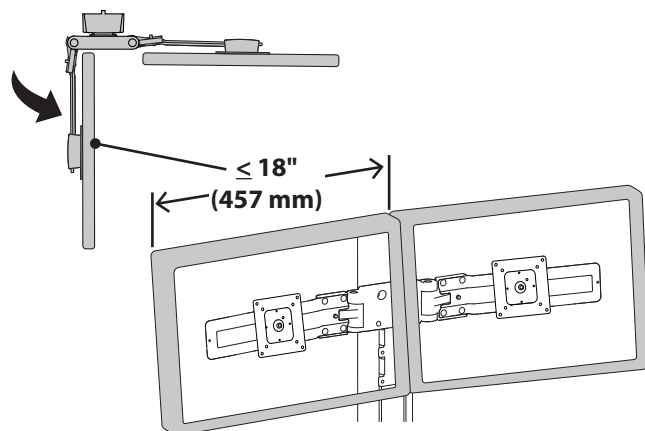
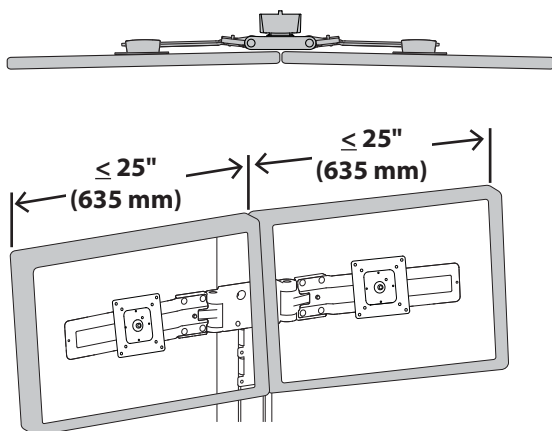
CAUTION: DO NOT EXCEED
MAXIMUM LISTED WEIGHT
CAPACITY. SERIOUS INJURY OR
PROPERTY DAMAGE MAY OCCUR!

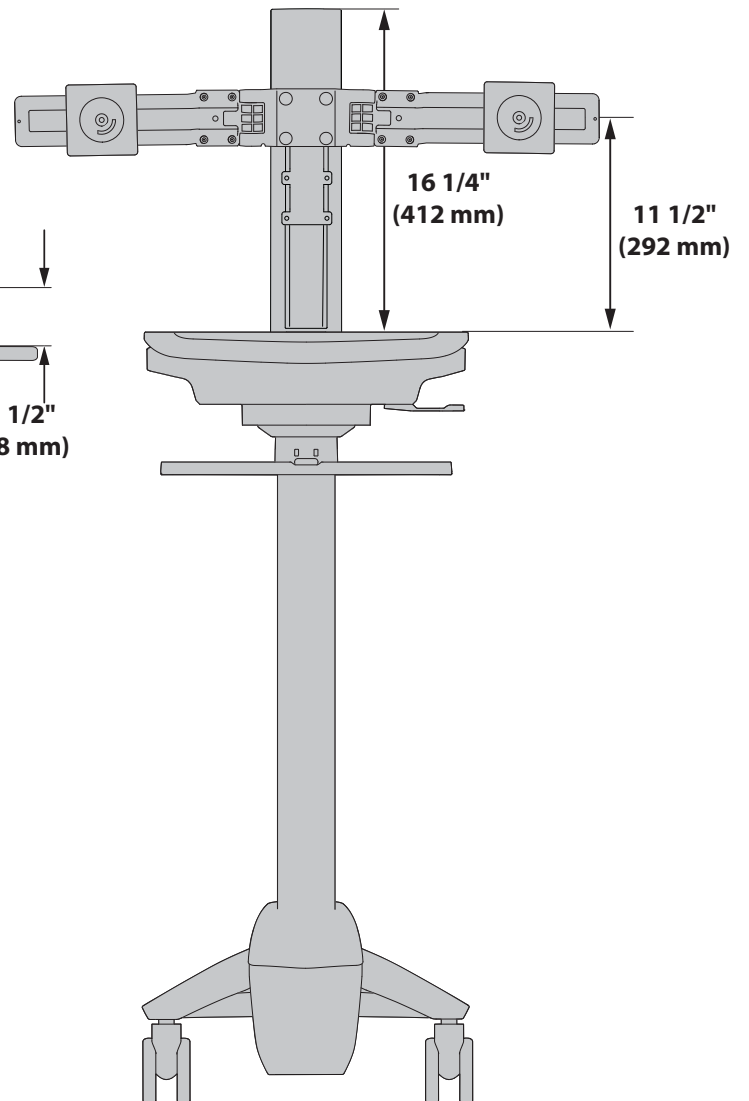
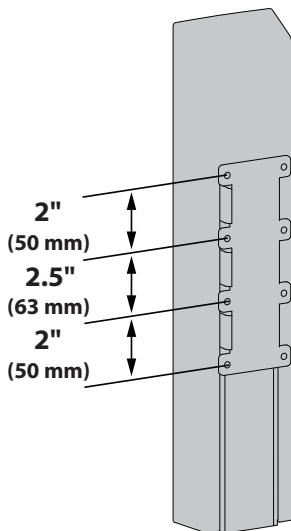
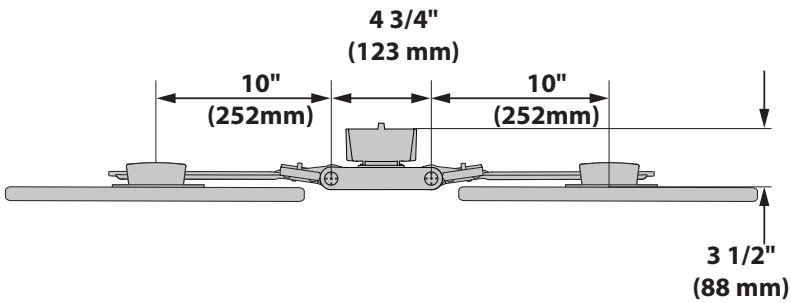
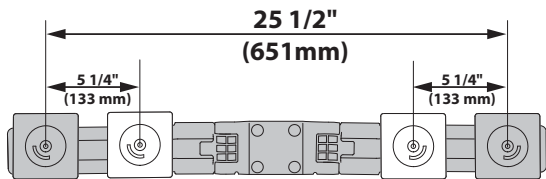
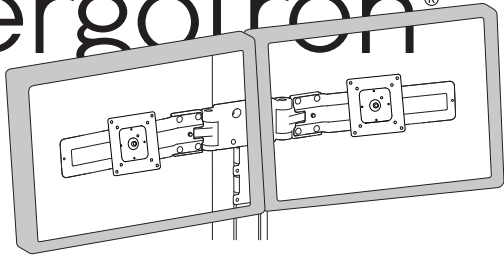
Total weight of monitors when mounted needs to be 14 lbs - 24 lbs (6.2 kg - 10.8 kg)

Range of Motion:



Maximum Monitor Width:





© 2016 Ergotron, Inc. rev. 08/26/2019 DIM-SVDualKit **Content is subject to change without notification**

Americas Sales and Corporate Headquarter	EMEA Sales	APAC Sales	Worldwide OEM Sales
St. Paul, MN USA (800) 888-8458 +1-651-681-7600 www.ergotron.com sales@ergotron.com	Amersfoort, The Netherlands +31 33 45 45 600 www.ergotron.com info.eu@ergotron.com	Tokyo, Japan www.ergotron.com apaccustomerservice@ergotron.com	www.ergotron.com info.oem@ergotron.com